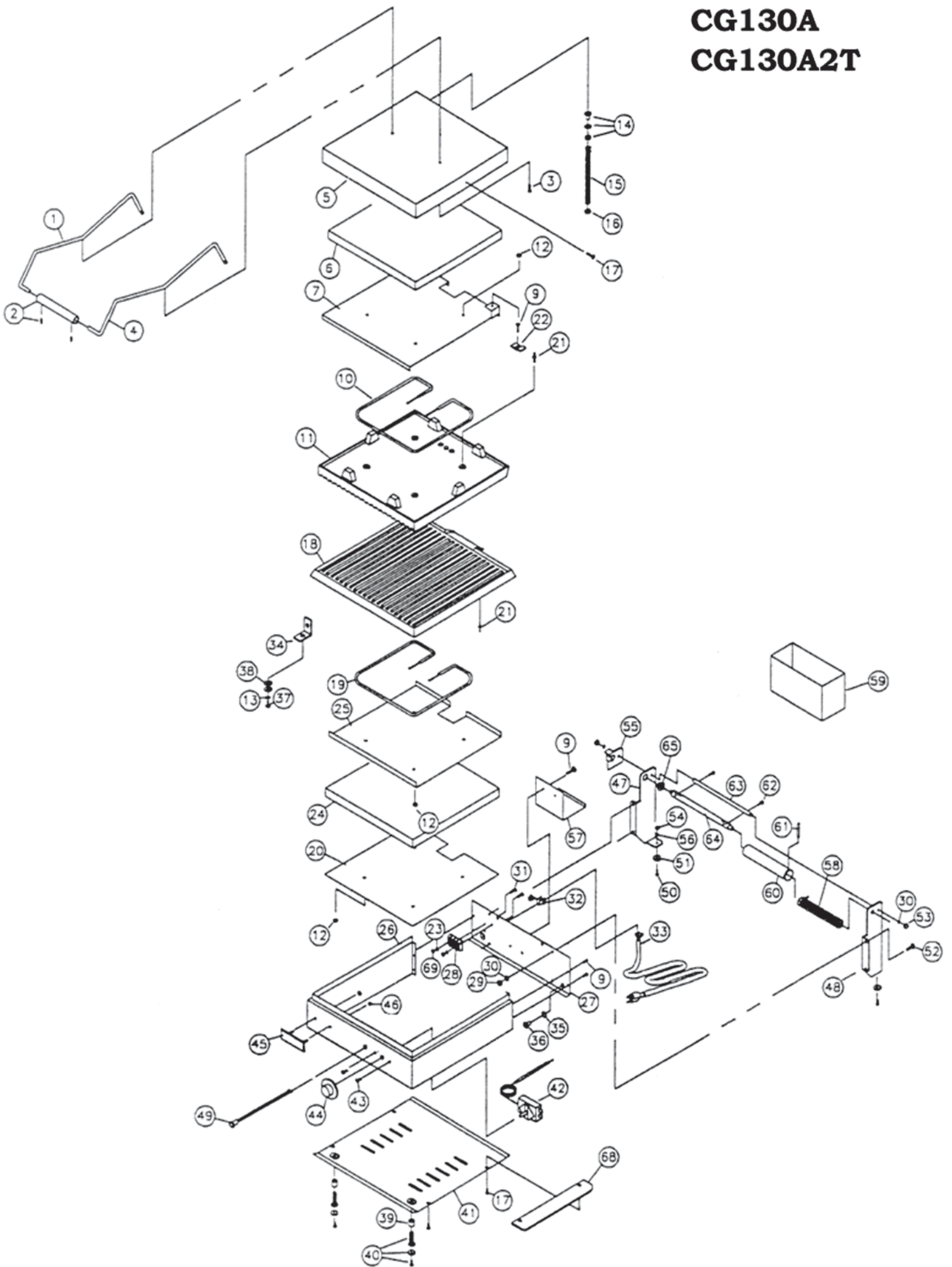


CG130A CG130A2T



MODEL CG130A & CG130A2T

Key Number	Part Number	Number Per Unit	Description
1	D9-70-GR-0252	1	ROD: LEFT HANDLE
2	D9-70-GR-0175	1	BLACK HANDLE
3	2C-08-07-0112	2	SET SCREW, 1/4-20 x 1/4" (for Handle)
4	2C-08-07-0001	2	SCREW, 10-32 x 5/8" (shoulder)
4	D9-70-GR-0253	1	ROD: RIGHT HANDLE
5	D9-30-GR-0013	1	HOUSING: UPPER
6	Z1-06-07-0026	1	INSULATION: 12" x 12"
7	D9-50-GR-0266	1	PLATE: ELEMENT
9	2C-08-07-0211	1	SCREW, #8 x 1/2 (self-drilling)
10	2N-05-GR-0165	1	ELEMENT, 700W (120V)
	2N-05-GR-0164	1	ELEMENT, 950W (240V)
11	D9-30-GR-0166	1	GRILLPLATE: NON-COATED TOP
12	2C-08-07-0207	1	NUT, 10-24 w/LOCKWASHER
13	2C-08-07-0093	1	LOCKWASHER, #10 (internal)
14	D9-40-GR-0001	1	FLEXIBLE CONDUIT CLAMP KIT No Longer Available
15	D9-05-GR-0029	1	CONDUIT: FLEXIBLE
16	2C-08-GR-0013	2	CLAMP: CONDUIT
17	2C-08-07-0230	2	SCREW, 8-32 x 17/32
18	D9-30-GR-0168	1	GRILL PLATE: NON-COATED BOTTOM
19	2N-05-GR-0166	1	ELEMENT, 950W (120V)
	2N-05-GR-0167	1	ELEMENT, 700W (240V)
20	D9-04-GR-0030	1	PLATE: ELEMENT
21	2C-08-07-0285	1	STUD, 10-24 w/SQUARE NUT
22	B9-04-WB-0046	1	CLAMP: WIRE SUPPORT
23	2C-08-07-0017	1	LOCKWASHER, # 8 internal
24	Z1-06-07-0031	1	INSULATION: 14" x 14"
25	D9-04-GR-0165	1	PLATE: ELEMENT
26	D9-04-GR-0089	1	HOUSING: LOWER
27	D9-04-GR-0079	1	COVER: BACK
28	2E-05-07-0057	1	TERMINAL: DOUBLEROW
29	2C-08-07-0107	1	NUT, 1/4-20
30	2C-08-07-0262	1	LOCKWASHER, 1/4 internal
31	2C-08-07-0042	1	SCREW, 8-32 X 5/8
32	2K-05-07-0017	1	STRAIN RELIEF: CORDSET
33	2E-05-07-0005	1	CORDSET: 120V (14/3, 5-15P, 42")
	2E-05-07-0052	1	CORDSET: 208/240V (14/3, 6-15P, 42")
	2E-05-07-0168	1	CORDSET: 120V-CANADIAN (14/3, 5-20P, 42")
34	D9-04-GR-0039	1	BRACKET: GRILLPLATE ANCHOR
35	2C-08-07-0050	1	LOCKWASHER, 3/8 internal
36	2C-08-GR-0011	2	BUSHING: CONDUIT
37	2C-08-07-0117	2	SCREW, 10-24 x 3/4
38	2C-08-07-0012	2	WASHER, 1/2" od x 18 ga
39	2A-09-GR-0023	4	SPACER: LEG, NYLON (BLACK)
40	D9-40-GR-0013	4	ADJUSTABLE LEG w/FOOT & SCREW
41	D9-30-GR-0012	1	BOTTOM COVER
42	2T-05-GR-0005	1	THERMOSTAT
43	2C-08-07-0037	1	SCREW, 6-32 x 3/8
44	2R-09-07-0006	1	KNOB: TEMPERATURE CONTROL
45	2M-Z1603	1	FACEPLATE
46	2C-08-07-0260	1	PALNUT
47	D9-70-GR-0168	1	LEFT HINGE BRACKET
48	D9-70-GR-0169	1	RIGHT HINGE BRACKET
49	2S-Z3823	1	INDICATOR LIGHT (120V)
	2S-05-07-0138	1	INDICATOR LIGHT (240V)

IMPORTANT: WHEN ORDERING, SPECIFY VOLTAGE OR TYPE GAS DESIRED

INCLUDE MODEL AND SERIAL NUMBER

Some items are included for illustrative purposes only and in certain instances may not be available.

PAGE 1OF 2

PARTS LIST

EFFECTIVE

10-9-06 RB

MODEL CG130A & CG130A2T

Key Number	Part Number	Number Per Unit	Description
50	2C-08-07-0231		SCREW, 6-32 x 3/8
51	2A-06-07-0027	4	FOOT: BLACK
52	2C-08-07-0261		SCREW, 1/4-20 x 3/4
53	2C-08-07-0040		NUT, 1/4-20 (acorn)
54	2C-08-07-0020		NUT, 6-32
55	D9-04-GR-0185	1	STOP: LID
56	2C-08-07-0059		LOCKWASHER, #6 internal
57	2C-08-07-0081	1	BRACKET: GREASE PAN
58	2P-09-GR-0001	1	SPRING: HINGE
59	2C-09-GR-0020	1	CONTAINER: GREASE (aluminum)
60	D9-70-GR-0051	1	TUBE: SPRING COVER
61	D9-70-GR-0045	2	PIN: SPRING RETAINER
62	2C-08-07-0066		SCREW, 10-32 x 3/8
63	2A-Z7275	1	ROD: HINGE
64	2A-Z7276	1	SHAFT: HINGE
65	2A-09-GR-0003	2	BUSHING: HINGE SHAFT
66	D9-04-GR-0040		SPACER STRIP: HOUSING
67	2C-08-07-0018		NUT, 8-32
NI	2M-12-GR-0039	1	LABEL: CAUTION
NI	2M-12-07-0034	1	LABEL: WARNING-HIGH VOLTAGE
NI	2M-12-07-0035	1	LABEL: WARNING-GROUNDED OUTLET
NI	2C-05-07-0004		CONNECTOR: WIRE
NI	2C-05-07-0059		TIE: WIRE
NI	Z1-30-07-0066		LEADWIRE: 18" NAT/WHT TGGT
NI	Z1-05-07-0018		SLEEVING: WHITE, 2.313" LONG
NI	2P-09-WB-0007	2	TIMER: BELL CG130A2T
NI	2C-09-WB-0005	2	BEZEL: TIMER CG130A2T
NI	2R-09-WB-0006	2	KNOB: TIMER CG130A2T
NI	2C-08-WB-0008	2	NUT: TIMER SHAFT CG130A2T

**IMPORTANT: WHEN ORDERING, SPECIFY VOLTAGE OR TYPE GAS DESIRED
INCLUDE MODEL AND SERIAL NUMBER**

PAGE 2
OF 2

Some items are included for illustrative purposes only and in certain instances may not be available.



Star Manufacturing International, Inc.