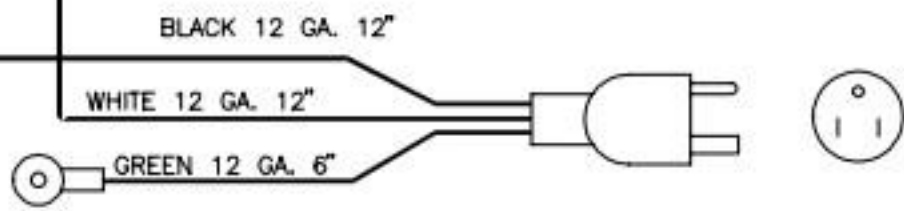
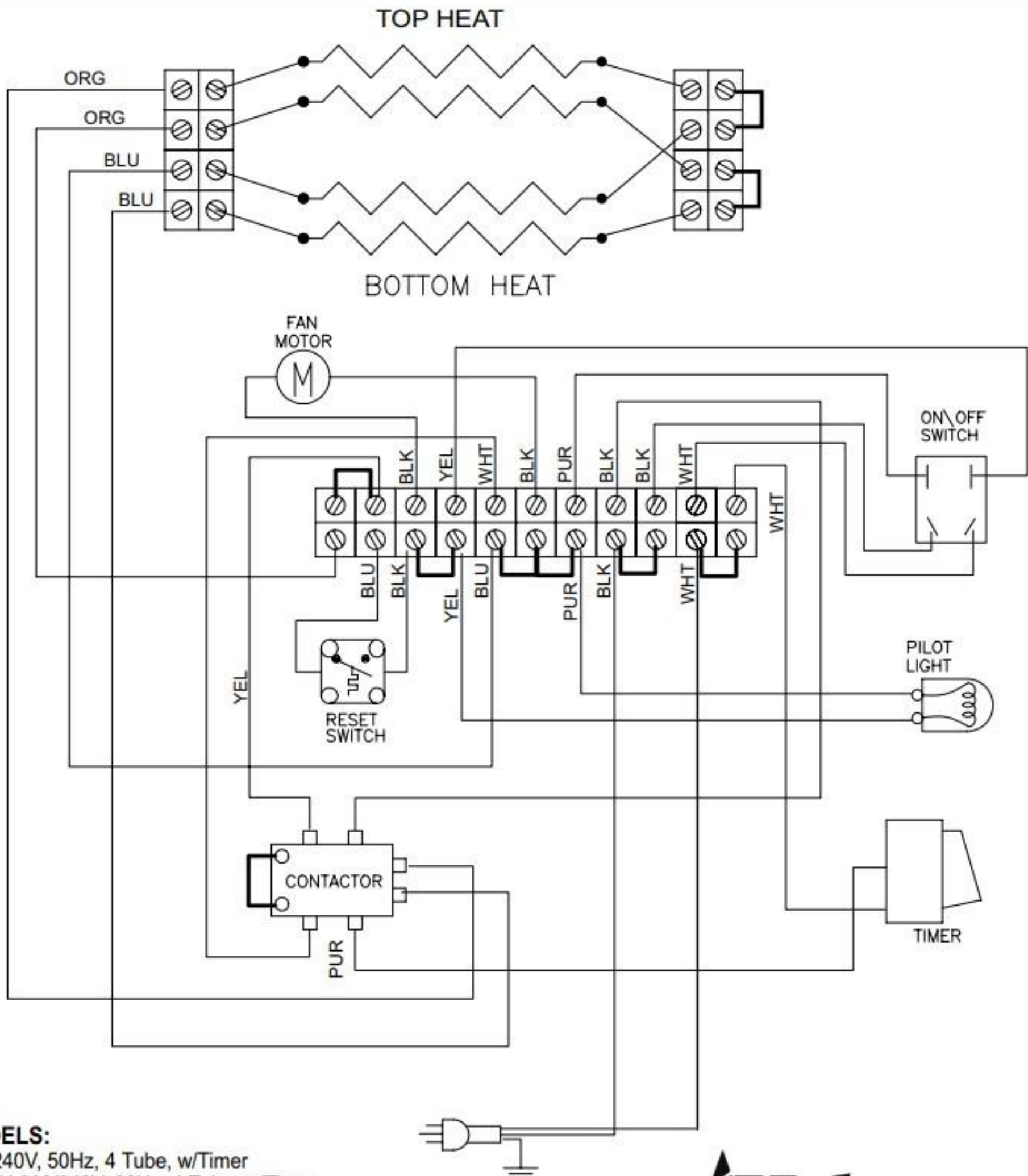


CONTACTOR MUST BE FIXTURED AND WIRED AS SHOWN





MODELS:

- FT1 240V, 50Hz, 4 Tube, w/Timer
- FT2BH 208/240V, 60Hz, 4 Tube, w/Timer
- FT2BH 220V, 50Hz, 4 Tube, w/Timer
- HH1, 220V, 60Hz, 4 Tube, w/Timer



