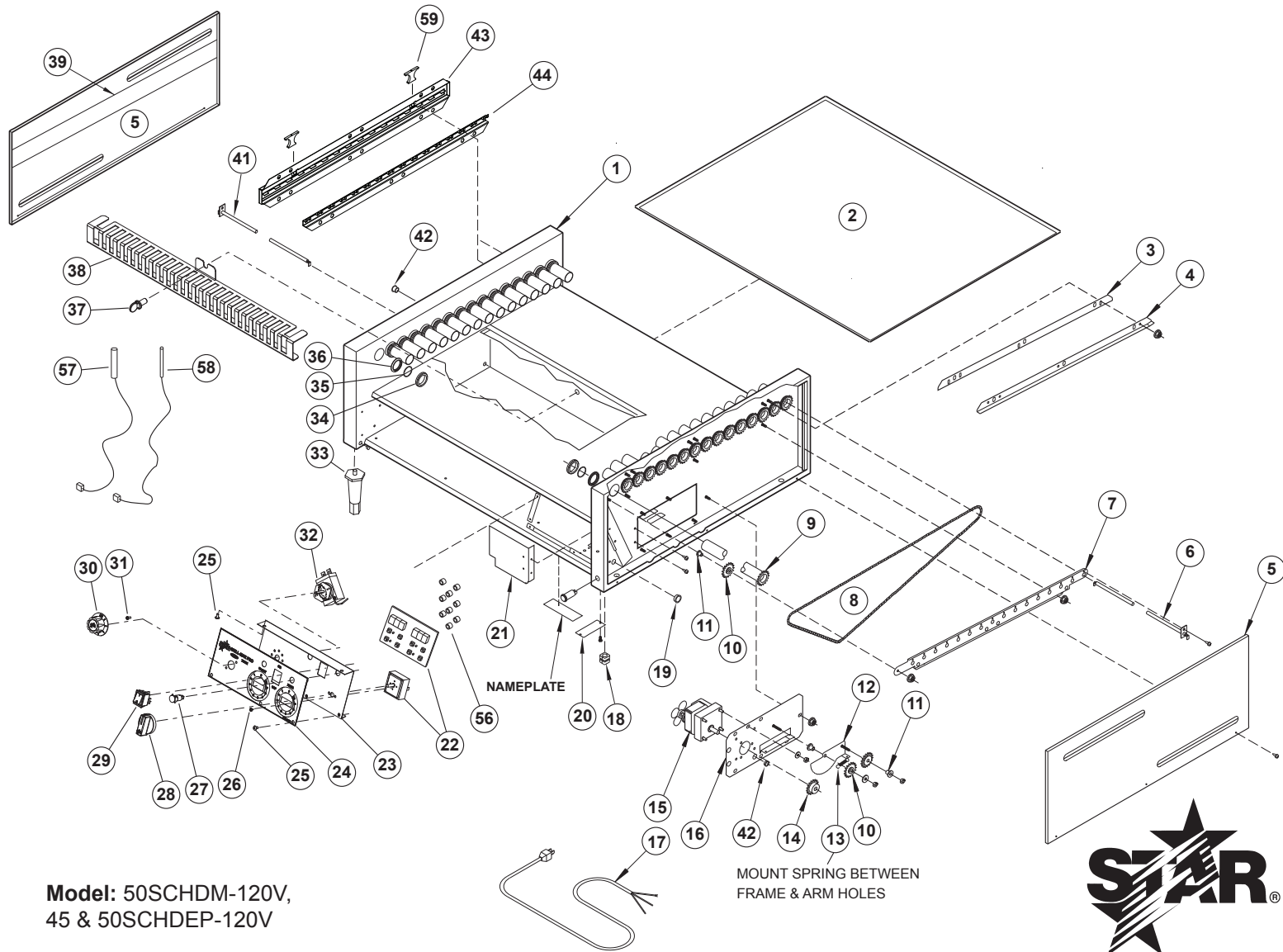


2M-Z11808: GRILL-MAX Roller Grills, Heated Bun Drawer



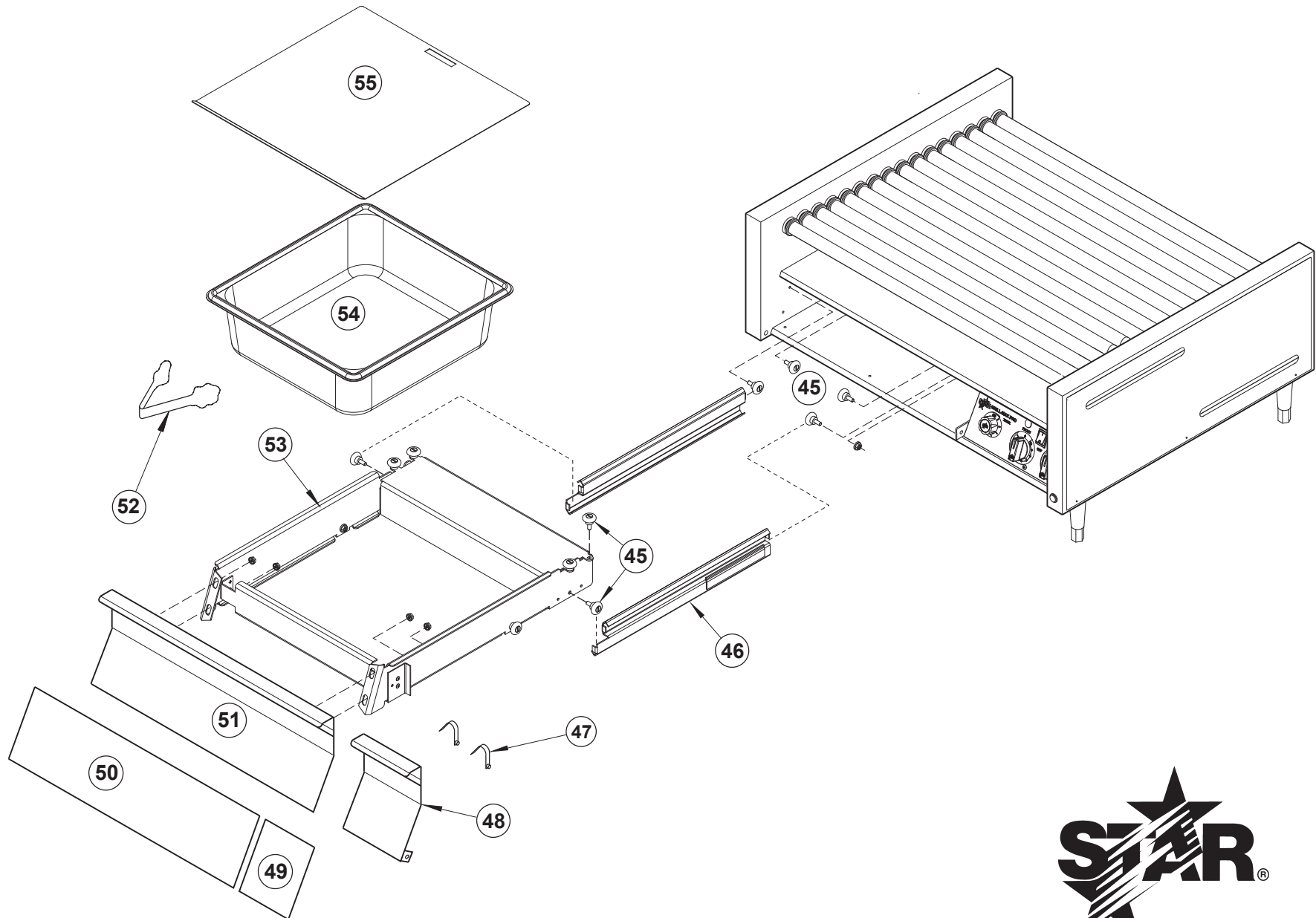
Model: 50SCHDM-120V,
45 & 50SCHDEP-120V

REFER TO THE PARTS LIST SPECIFIC TO YOUR MODEL FOR MORE DETAIL INFORMATION.



Star International Holdings Inc., Company

SK2388 Rev. D 10/29/2015



Model: 50SCHDM-120V, 45 & 50SCHDEP-120V
 REFER TO THE PARTS LIST SPECIFIC TO YOUR MODEL FOR MORE DETAIL INFORMATION.

Star International Holdings Inc., Company
 SK2389 8-08-2008



PARTS LIST

October 29, 2015, Rev C

30SCHDM, 45 & 50SCHDEP, 30 & 50SCHDM, 50STHDE, 50SCHDEM & 75SCHDEM ROLLER GRILL PARTS LIST

Fig No.	Part No	Qty	Description	Application
1	A5-RG30118	1	BODY ASSY 30 BD	
	A5-RG5079		BODY ASSY 50	
	A5-RG7550		BASIC ASSY 45/75	
2	A5-Z2185	1	DRIP TRAY 30	30SCHDM-120V
	A5-Z2305		DRIP TRAY 50	50SCHDM, 50SCHDEM, 50SCHDEP, 50STHDE
	A5-Z2306		DRIP TRAY 75	75SCHDM, 75SCHDEM
3	A5-Z8409	1	BACK-CHAIN RETAINER SPACER	
4	A5-Z8410	1	ANGLE CHAIN RETAINER UPPER	
5	A5-Z2169	2	SIDE PANEL	
	A5-Z2265		SIDE PANEL 45/75	45SCHDEP, 75SCHDEM
6	2N-Z2178	11	ELEMENT 120V 30/45	30SCHDM-120V
	2N-Z2179		ELEMENT 120V 50	50SCHDM-120V
	2N-Z2982		ELEMENT 120V 105W	50SCHDEP-120, 50SCHDEM-120, 50STDE-120V
	2N-Z13037	16	ELEMENT, 85 WATT, 120V	45SCHDEP-120
	2N-Z2193		ELEMENT 230V 50/75	75SCHDM, 75SCHDEM
7	A5-Z6719	1	CHAIN GUIDE	
8	2P-Z2242	1	ROLLER CHAIN 20/30/50	30SCHDM, 50SCHDEP, 50SCHDM, 50SCHDEM, 50STHDE
	2P-Z2266		ROLLER CHAIN 45A/75A	45SCHDEP, 75SCHDM, 75SCHDEM
9	A5-RG5057	11	ROLLER ASSY HIGRIP 50S/75S	
	A5-RG75132		RLR ASY STALTEK 50ST/75ST	50STHDE
	A5-RG4565	16	ROLLER ASSY HIGRIP 30C/45C	45SCHDEP-120
	PS-RG50SHR		KIT HSG REPAIR 50S/75S	75SCHDM, 75SCHDEM
10	2P-Z8392	3	IDLER SPROCKET ASSEMBLY	
11	2A-Z8017	3	BUSHING, IDLER	
12	A5-RG2042	1	ARM ASSY- CHAIN TENSIONER	
13	2P-Z8074	1	SPRING	
14	2P-Z8317	1	MOTOR SPROCKET	
15	PS-RG5069	1	KIT, MOTOR, 120V	Replaces 2U-Z6485/2U-Z11854
	2U-Z11855		MOTOR GEAR, 240V	75SCHDM, 75SCHDEM
16	A5-RG2046	1	MOTOR MOUNTING ASSY	
17	A5-RG2041	1	CORD SET ASSY 120V CSA	50SCHDM-120V
	A5-RG2036		CORD SET 120V W/TERMINALS	30SCHDM-120V, 50SCHDEP-120, 50SCHDEM-120, 50STHDE-120V
18	2K-Y2968	1	BUSHING - HEYCO 7W-2	30SCHDM-120V, 50SCHDM-120V
	2K-Y3240		BUSHING HEYCO SR 17-2	50SCHDEP-120, 50SCHDEM-120, 50STHDE-120, 75SCHDM-240
19	2K-8043	1	BUSHING HEYCO SB-875-10	
20	A5-Z5335	1	BOTTOM COVER PLATE	
21	A5-Z9344	1	MOUNTING BRACKET	
22	2J-Z14323	2	INFINITE CONTROL 120V	50SCHDM-120V
	2J-Z14324		INFINITE CONTROL-240V	75SCHDM-240
	2E-Z13638	1	CONTROL E/C RG 12 AMP (RED)	45SCHDEP-120, 50SCHDEP-120, 50SCHDEM, 50STHDE-120, 75SCHDEM
	PS-RG5087		CONTROL BOARD KIT	Replaces Green Board with a Red Board

2M-Z11808, Infinite & Electronic Controlled Roller Grills w/ Heated Bun Drawer



Star International Holdings Inc., Company

PARTS LIST

October 29, 2015, Rev C

30SCHDM, 45 & 50SCHDEP, 30 & 50SCHDM, 50STHDE, 50SCHDEM & 75SCHDEM ROLLER GRILL PARTS LIST				
Fig No.	Part No	Qty	Description	Application
23	A5-RG30137	1	CONTROL PANEL ASSEMBLY	30SCHDM
	A5-RG4567			45SCHDEP
	A5-RG5074			50SCHDEP, 50STHDE
	A5-Z11735		CONTROL PANEL	50SCHDM
	A5-Z13416			75SCHDM
24	2M-Z13332	1	CONTROL PANEL LBL 30SCHDM	30SCHDM
	2M-Z13024		LABEL, CONTROL PANEL	45SCHDEP-120
	2M-Z13047		LABEL, CONTROL PANEL	50SCHDEP, 50SCHDEM, 50STHDE
	A5-Z11736		CONTROL PANEL LABEL	50SCHDM
25	2C-6349	14	SCREW #8 X 3/8" B THP STL NP	
26	N/A	4	Phillips Screw supplied w/ controller	
27	2J-Z2329	1	PILOT LIGHT RED	50SCHDEP-120, 50SCHDEM-120, 50STHDE-120
		3		50SCHDM-120V, 75SCHDM-240V
28	2R-Z1854	2	KNOB W/SET SCREW	50SCHDM-120V, 75SCHDM-240V
29	2E-Z1858	1	SWITCH-RED LIGHTED	
30	2R-Z13032	1	KNOB	30SCHDM-120V, 45SCHDEP-120
	2R-Y6353		KNOB THERMOSTAT	50SCHDEP-120, 50SCHDM-120V, 50STHDE-120
31	2C-1488	2	SCREW 6-32 X 3/8" RHP STL NP	
32	2T-Y9113	1	THERMOSTAT 36" CAP TUBE	30SCHDM, 45SCHDE4P, 45SCHDEP, 50SCHDM, 50SCHDE4P, 50SCHDEM, 50SCHDEP, 50STHDE, 75SCHDM, 75SCHDEM, 75SCHDEP
33	2R-Z5846	4	1" LEGS	
	2R-Y5092		4" BLACK PLASTIC LEG	45SCHDE4P120, 50SCHDE4P120, 75SCHDEM
34	2P-Z6455	22	TUBE SEAL, SOLID	
35	2I-Z2175	32	ORING SEAL	45SCHDEP, 75SCHDM, 75SCHDEM
		22		30SCHDM, 50SCHDEP, 50SCHDM, 50SCHDEM, 50STHDE
36	2P-Z2174	32	TUBE GUIDE	45SCHDEP, 75SCHDM, 75SCHDEM
		22		30SCHDM, 50SCHDEP, 50SCHDM, 50SCHDEM, 50STHDE
37	2C-Z5182	1	SCREW, THUMB-1/4-20 X 1/2	
38	A5-Z13072	1	HD ELEMENT GUARD 30/45	45SCHDEP-120
	A5-Z13073		HD ELEMENT GUARD 50/75	50SCHDEP-120, 50SCHDM-120V, 50STHDE-120
39	A5-Z2509	4	PANEL-INSULATOR	
41	2N-Z13036	1	ELEMENT, 230W, 120V	30SCHDM-120V, 45SCHDEP-120
	2N-Z11738		ELEMENT, 350W, 120V	50SCHDEP-120, 50SCHDM-120V, 50STHDE-120
	2N-Z13414		ELEMENT, 350W, 120V	75SCHDM, 75SCHDEM
42	2K-Z2895	2	ANTI SHORT BUSHING	30SCHDM-120V
		3		50SCHDM-120V
		4		75SCHDM, 75SCHDEM
43	A5-Z17588	1	ELEMENT MOUNT, UPPER 16 CNT	manufactred after 6/2014
	A5-Z17589	1	ELEMENT MOUNT, UPPER 11 CNT	manufactred after 6/2014
	PS-RG50132	1	KIT SERVICE, TEMP SENSOR & MOUNTS	ELECTRIC CONTROLLED UNITS MFG BEFORE 7/2014
44	A5-Z7656	1	ELEMENT RETAINER, LOWER	11 COUNT
	A5-Z15196		ELEMENT MT., LOWER, 16CT	16 COUNT
45	2P-Z0315	12	DRAWER ROLLER W/SCREW	

2M-Z11808, Infinite & Electronic Controlled Roller Grills w/ Heated Bun Drawer



Star International Holdings Inc., Company

PARTS LIST

October 29, 2015, Rev C

30SCHDM, 45 & 50SCHDEP, 30 & 50SCHDM, 50STHDE, 50SCHDEM & 75SCHDEM ROLLER GRILL PARTS LIST

Fig No.	Part No	Qty	Description	Application
46	2R-Z9393	1 SET	14" DRAWER SLIDES	
47	2P-Y9176	2	SNAP BUTTONS	
48	A5-RG30110	1	CONTROL PANEL DOOR ASSY 30/45	30SCHDM-120V
	A5-RG5047		CONTROL PANEL DOOR ASSY	
49	2M-Z9396	1	LABEL, CONTROL PANEL DOOR	50SCHDEP, 50SCHDM, 50STHDE
	2M-Z13084		LABEL CNTRL PNL DOOR 45	45SCHDEP
	2M-Z13415		LABEL, CONTROL PANEL	75SCHDM
50	2M-Z9395	1	LABEL, DRAWER	50SCHDEP, 50SCHDM, 50STHDE
	2M-Z13083		LABEL BD DRAWER 45	45SCHDEP
51	A5-RG30105	1	BD DOOR ASSY 30/45 BD/HD	45SCHDEP
	A5-RG5046		BUN DRAWER DOOR ASSY	50SCHDEP, 50SCHDM, 50STHDE
	A5-RG7534		DRAWER FRONT ASSY	75SCHDEM
52	2P-Z0584	1	TONGS	
53	A5-RG30109	1	BD FRAME ASSY 30/45 BD/HD	45SCHDEP
	A5-RG5048		BUN DRAWER FRAME ASSY	50SCHDEP, 50SCHDM, 50STHDE
	A5-RG7569		DRAWER AWWY 50/75HB	75SCHDM, 75SCHDEM
54	2D-Z5898	1	PAN 2/3" X 4" DEEP	30SCHDM, 45SCHDEP
	2D-Z5899		PAN FULL X 4" DEEP	50SCHDEP, 50SCHDM, 50STHDE, 75SCHDM, 75SCHDEM
55	A5-Z9539	1	HD PAN COVER	50SCHDEP, 50SCHDM, 50STHDE
	A5-Z9538	1		45SCHDEP
56	2K-Z1971	9	SPACER .257X.75X.25 NYLON	45SCHDEP, 50SCHDEP
57	2J-Z17919	1	THERMISTOR, FRONT	45SCHDEP, 50SCHDEP, 50SCHDEM, 50STHDE, 75SCHDEM
	PS-RG50132		KIT, SERVICE, TEMP SENSOR, BOTH THERMISTORS	Manufactured before 7/2014
58	2J-Z15324	1	THRMSTR, R, 125X1.00 LG	45SCHDEP-120, 50SCHDEP-120, 50SCHDEM, 75SCHDEM
59	2V-Z17584	2	TEMPERATURE SENSOR BLOCK	ELECTRIC CONTROLLED UNITS AFTER 6/2014
NI	2E-Z11726	1	WIRE SET	
NI	2J-Z9895	1	SENSOR-RG EC TEMPERATURE	50SCHDEP-120
NI	PS-Z3018	--	TUBE ASSEMBLY SLEEVE	
NI	2V-Z13052	1	HOLDER TONG	45SCHDEP-120

2M-Z11808, Infinite & Electronic Controlled Roller Grills w/ Heated Bun Drawer



Star International Holdings Inc., Company