

# **STAR<sup>®</sup>** **BUN BOX**

MODEL  
SS30BB, SS30BBC  
SS50BB, SS50BBC

## **Installation and Operation Instructions**

2M-Z2522 Rev.E 4/21/10



9B-SS50BB



## SAFETY SYMBOL



These symbols are intended to alert the user to the presence of important operating and maintenance instructions in the manual accompanying the appliance.

---

## RETAIN THIS MANUAL FOR FUTURE REFERENCE NOTICE

Using any part other than genuine Star factory supplied parts relieves the manufacturer of all liability.

Star reserves the right to change specifications and product design without notice. Such revisions do not entitle the buyer to corresponding changes, improvements, additions or replacements for previously purchased equipment.

Due to periodic changes in designs, methods, procedures, policies and regulations, the specifications contained in this sheet are subject to change without notice. While Star International Holdings Inc., Company exercises good faith efforts to provide information that is accurate, we are not responsible for errors or omissions in information provided or conclusions reached as a result of using the specifications. By using the information provided, the user assumes all risks in connection with such use.

## MAINTENANCE AND REPAIRS

Contact your local authorized service agent for service or required maintenance.

Please record the model number, serial number, voltage and purchase date in the area below and have it ready when you call to ensure a faster service.

Model No. \_\_\_\_\_  
Serial No. \_\_\_\_\_  
Voltage \_\_\_\_\_  
Purchase Date \_\_\_\_\_

### Authorized Service Agent Listing

Reference the listing provided with the unit

or

for an updated listing go to:

**Website:** [www.star-mfg.com](http://www.star-mfg.com)  
**E-mail** [Service@star-mfg.com](mailto:Service@star-mfg.com)

### Service Help Desk

**Business Hours:** 8:00 am to 4:30 p.m. Central Standard Time

**Telephone:** (800) 264-7827 Local (314) 684-6303

**Fax:** (800) 396-2677 Local (314) 781-2714

**E-mail** [Parts@star-mfg.com](mailto:Parts@star-mfg.com)  
[Service@star-mfg.com](mailto:Service@star-mfg.com)  
[Warranty@star-mfg.com](mailto:Warranty@star-mfg.com)

**Website:** [www.star-mfg.com](http://www.star-mfg.com)

**Mailing Address:** Star International Holdings Inc., Company  
10 Sunnen Drive  
St. Louis, MO 63143  
U.S.A

## **SPECIFICATIONS:**

---

### **SS30BB**

Type: Bun Box

Bun Capacity: 48 Buns

Approximate Weight: installed - 26 Lbs (11.8 kg), shipping - 37 Lbs (16.8 kg)

Dimensions: 23 3/4" - Width, 20 5/8" - Depth, 6 7/8" - Height

(60.3 cm - Width, 525.4 cm - Depth, 17.5 cm - Height)

---

### **SS30BB**

Type: Bun Box

Bun Capacity: 64 Buns

Approximate Weight: installed - 38 Lbs (17 kg), shipping - 53 Lbs (24 kg)

Dimensions: 23 3/4" - Width, 20 5/8" - Depth, 6 7/8" - Height

(60.3 cm - Width, 525.4 cm - Depth, 17.5 cm - Height)

---



## **CAUTION**

This equipment is designed and sold for commercial use only by personnel trained and experienced in its operation and is not sold for consumer use in and around the home nor for use directly by the general public in food service locations.

### **CLEANING**

To remove the drawer for cleaning;

First pull the drawer out until it stops.

Second, remove the interior pan.

Third, grasp the drawer assembly with both hands.

Fourth, lift the drawer in an upward direction, while slowly pulling out.

This will disengage the drawer from the drawer stops. To re-install the drawer reverse the procedure.

For retaining the high luster on the stainless steel, use a non-abrasive standard stainless steel cleaner.

### **MAINTENANCE AND REPAIRS**

Contact the factory, a service representative, or a local service company for service or required maintenance.

### THOROUGHLY INSPECT YOUR UNIT ON ARRIVAL

This unit has been tested for proper operation before leaving our plant to insure delivery of your unit in perfect condition. However, there are instances in which the unit may be damaged in transit. In the event you discover any type of damage to your product upon receipt, you must immediately contact the transportation company who delivered the item to you and initiate your claim with same. If this procedure is not followed, it may affect the warranty status of the unit.

### LIMITED EQUIPMENT WARRANTY

All workmanship and material in Star products have a one (1) year limited warranty on parts & labor in the United States and Canada. Such warranty is limited to the original purchaser only and shall be effective from the date the equipment is placed in service. Star's obligation under this warranty is limited to the repair of defects without charge, by the factory authorized service agency or one of its sub-agencies. Models that are considered portable (*see below*) should be taken to the closest Star service agency, transportation prepaid.

- > Star will not assume any responsibility for loss of revenue.
- > On all shipments outside the United States and Canada, see International Warranty.
- \* The warranty period for the JetStar six (6) ounce & Super JetStar eight (8) ounce series popcorn machines is two (2) years.
- \* The warranty period for the Chrome-Max Griddles is five (5) years on the griddle surface. See detailed warranty provided with unit.
- \* The warranty period for Teflon/Dura-Tec coatings is one year under normal use and reasonable care. This warranty does not apply if damage occurs to Teflon/Dura-Tec coatings from improper cleaning, maintenance, use of metallic utensils, or abrasive cleaners, abrasive pads, product identifiers and point-of-sale attachments, or any other non-food object that comes in continuous contact with the roller coating. This warranty does not apply to the "non-stick" properties of such materials.
- > This warranty does not apply to "Special Products" but to regular catalog items only. Star's warranty on "Special Products" is six (6) months on parts and ninety (90) days on labor.
- > This warranty does not apply to any item that is disassembled or tampered with for any purpose other than repair by a Star Authorized Service Center or the Service Center's sub-agency.
- > This warranty does not apply if damage occurs from improper installation, misuse, wrong voltage, wrong gas or operated contrary to the Installation and Operating instructions.
- > This warranty is not valid on Conveyor Ovens *unless* a "start-up/check-out" has been performed by a Factory Authorized Technician.

### PARTS WARRANTY

Parts that are sold to repair out of warranty equipment are warranted for ninety (90) days. The part only is warranted. Labor to replace the part is chargeable to the customer.

### SERVICES NOT COVERED BY WARRANTY

1. Travel time and mileage rendered beyond the 50 mile radius limit
2. Mileage and travel time on portable equipment (*see below*)
3. Labor to replace such items that can be replaced easily during a daily cleaning routine, ie; removable kettles on fryers, knobs, grease drawers on griddles, etc.
4. Installation of equipment
5. Damages due to improper installation
6. Damages from abuse or misuse
7. Operated contrary to the Operating and Installation Instructions
8. Cleaning of equipment
9. Seasoning of griddle plates
10. Voltage conversions
11. Gas conversions
12. Pilot light adjustment
13. Miscellaneous adjustments
14. Thermostat calibration and by-pass adjustment
15. Resetting of circuit breakers or safety controls or reset buttons
16. Replacement of bulbs
17. Replacement of fuses
18. Repair of damage created during transit, delivery, & installation OR created by acts of God

### PORTABLE EQUIPMENT

Star will not honor service bills that include travel time and mileage charges for servicing any products considered "Portable" including items listed below. These products should be taken to the Service Agency for repair:

- \* The Model 510FD Fryer.
- \* The Model 526TOA Toaster Oven.
- \* The Model J4R, 4 oz. Popcorn Machine.
- \* The Model 518CMA & 526CMA Cheese Melter.
- \* The Model 12MC & 15MC & 18MCP Hot Food Merchandisers.
- \* The Model 12NCPW & 15NCPW Nacho Chip/Popcorn Warmer.
- \* All Hot Dog Equipment **except Roller Grills & Drawer Bun Warmers.**
- \* All Nacho Cheese Warmers **except Model 11WLA Series Nacho Cheese Warmer.**
- \* All Condiment Dispensers **except the Model HPD & SPD Series Dispenser.**
- \* All Specialty Food Warmers **except Model 130R, 11RW Series, and 11WSA Series.**
- \* All QCS/RCS Series Toasters **except Model QCS3 & RCS3 Series.**
- \* All Fast Steamer Models **except Direct Connect Series.**

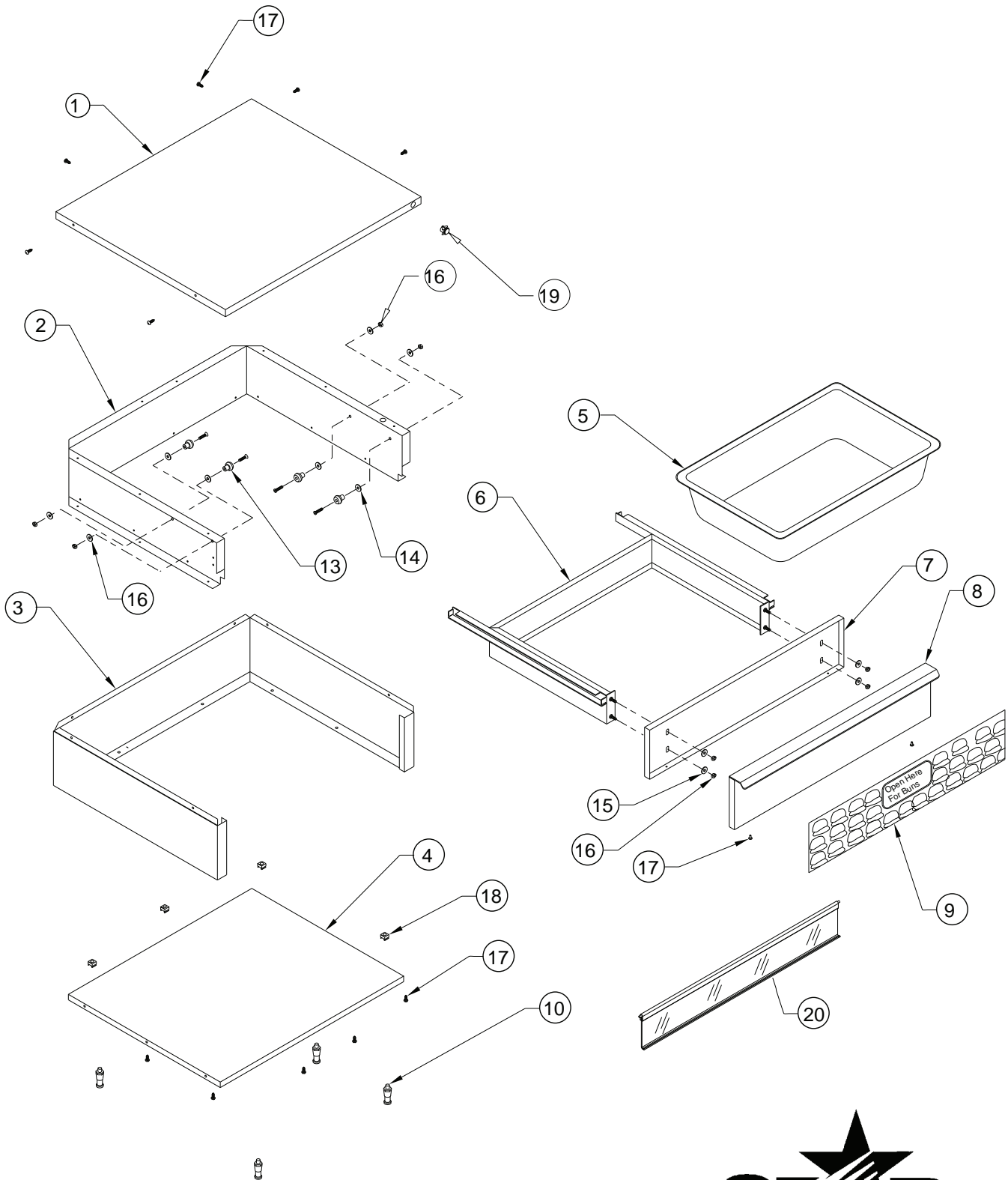
#### ALL:

- \* Pop-Up Toasters
- \* Butter Dispensers
- \* Pretzel Merchandisers  
(Model 16PD-A Only)
- \* Pastry Display Cabinets
- \* Nacho Chip Merchandisers
- \* Accessories of any kind
- \* Sneeze Guards
- \* Pizza Ovens  
(Model PO12 Only)
- \* Heat Lamps
- \* Pumps-Manual

The foregoing warranty is in lieu of any and all other warranties expressed or implied and constitutes the entire warranty.

### FOR ASSISTANCE

Should you need any assistance regarding the Operation or Maintenance of any Star equipment; write, phone, fax or email our Service Department. In all correspondence mention the Model number and the Serial number of your unit, and the voltage or type of gas you are using.



MODELS SS50BB AND SS30BB



**STAR MANUFACTURING INTERNATIONAL, INC.**

SK1633

REV C

4/21/2010

# PARTS LIST

April 21, 2010, Rev E

MODEL SS30BB and SS50BB BUN BOX

Key Number	Part Number	Number Per Unit	Description
1	A4-BB3002	1	LINER TOP - ASSY 30BBC
	A4-BB5002	1	TOP LINER ASSY 50BBC
	A4-BW3009	1	Top
	A4-BW5007	1	Top
2	A4-Z3338	1	Liner-Body
	A4-Z3339	1	Liner Body
3	A4-Z2372	1	Body
	A4-Z2397	1	Body
4	A4-Z2375	1	Bottom
	A4-Z2400	1	Bottom
	A4-Z5828	1	BOTTOM
	A4-Z5829	1	BOTTOM 50BBC
5	2D-Z5898	2	Bun Pan
	2D-Z5899	1	Bun Pan
6	A4-BW3012	1	Drawer Frame Assy.
	A4-BW5010	1	Drawer Frame Assy.
7	A4-Z3316	1	Drawer Liner
	A4-Z3322	1	Drawer Liner
8	A4-BW3001	1	Drawer Front
	A4-BW5001	1	Drawer Front
9	2M-Z2286	1	Graphic-Drawer
	2M-Z2326	1	Graphic-Drawer
10	2R-Z5846	4	FOOT-ROLLER GRILLS
13	2P-Z0315	4	Roller
14	2C-1810	12	Burr Riveting
15	2C-Z0498	8	Nut 10-24 Nylok
16	2C-Y1451	2	Rivet .125 X .25
17	2C-6349	32	Screw #8 x .375 TH NP
	2C-6349	27	SCREW #8X3/8 B THP STL NP
18	2C-Z2642	4	Threaded Insert
19	2P-Z2663	1	Dome Plug
20	A4-BB3001	1	DOOR ASSY 30BBC (CLEAR)
	A4-BB5001	1	DOOR ASSY 50BBC (CLEAR)
NI	A4-Z5822	1	DOOR HINGE LEFT
NI	A4-Z5823	1	DOOR HINGE RIGHT

IMPORTANT: WHEN ORDERING, SPECIFY VOLTAGE OR TYPE GAS DESIRED  
INCLUDE MODEL AND SERIAL NUMBER

PAGE 1  
OF 1

Some items are included for illustrative purposes only and in certain instances may not be available.





STAR INTERNATIONAL HOLDINGS INC. COMPANY  
Star - Holman - Lang - Wells - Bloomfield - Toastmaster  
10 Sunnen Drive, St. Louis, MO 63143 U.S.A.  
(314) 678-6314  
[www.star-mfg.com](http://www.star-mfg.com)