

Ultra Max[®]

ELECTRIC GRIDDLES

MODELS

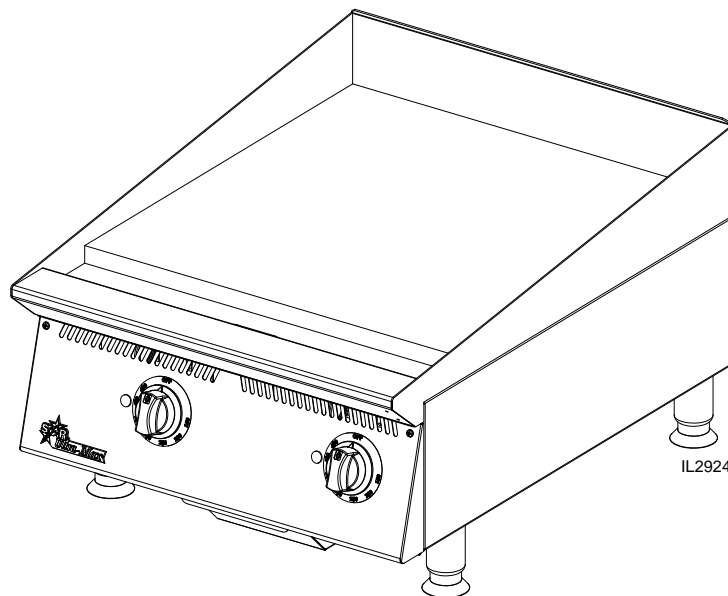
724TA, 736TA, 748TA, 760TA, 772TA

CHROME MODELS

724TCHSA, 736TCHSA, 748TCHSA, 760TCHSA, 772TCHSA

Installation and Operation Instructions

2M-Z16214 REV E (05-23)



IL2924

724TA



SAFETY SYMBOL



These symbols are intended to alert the user to the presence of important operating and maintenance instructions in the manual accompanying the appliance.

RETAIN THIS MANUAL FOR FUTURE REFERENCE NOTICE

Using any part other than genuine Star factory supplied parts relieves the manufacturer of all liability.

Star reserves the right to change specifications and product design without notice. Such revisions do not entitle the buyer to corresponding changes, improvements, additions or replacements for previously purchased equipment.

Due to periodic changes in designs, methods, procedures, policies and regulations, the specifications contained in this sheet are subject to change without notice. While Star International Holdings Inc., Company exercises good faith efforts to provide information that is accurate, we are not responsible for errors or omissions in information provided or conclusions reached as a result of using the specifications. By using the information provided, the user assumes all risks in connection with such use.

MAINTENANCE AND REPAIRS

Contact your local authorized service agent for service or required maintenance.

Please record the model number, serial number, voltage and purchase date in the area below and have it ready when you call to ensure a faster service.

Model No. _____
Serial No. _____
Voltage _____
Purchase Date _____

Authorized Service Agent Listing

Reference the listing provided with the unit

OR

for an updated listing go to:

Website: www.star-mfg.com

Service Help Desk

Business Hours: 8:00 am to 4:30 p.m. Central Standard Time

Telephone: 1-800-264-7827

Website: www.star-mfg.com

Mailing Address: Star Manufacturing International Inc.
265 Hobson Street
Smithville, TN 37166
U.S.A

**CAUTION****GENERAL INFORMATION**

This equipment is designed and sold for commercial use only by personnel trained and experienced in its operation and is not sold for consumer use in and around the home nor for use directly by the general public in food service locations. For equipment to be used by the general public, please contact the factory.

INSTALLATION

The griddles are equipped for the voltage indicated on the nameplate mounted on the front panel. They will operate on alternating current (AC) only.

**WARNING****DO NOT CONNECT TO DIRECT CURRENT (DC).**

The installation of the electric griddle should conform to the:

NATIONAL ELECTRIC CODE AND ALL LOCAL ELECTRIC CODES AND ORDINANCES AND THE LOCAL ELECTRIC COMPANY RULES AND REGULATIONS

For your protection we recommend that a qualified electrician install this griddle. He should be familiar with electrical installations and all electric codes. Proper connections and power supply are essential for efficient performance. The external wiring should be in conduit or an approved type of flexible cable suitable for operation at the temperature indicated on the wiring diagram, and of a proper size to carry the load. The supply circuit should be properly fused and equipped with a means of disconnecting, as required by local electrical code. **THE BODY OF THE GRIDDLE SHOULD BE GROUNDED (DO NOT GROUND TO A GAS SUPPLY LINE).**

EXHAUST CANOPY

Griddles inherently create a good deal of heat and smoke and should be installed under an efficient exhaust hood with flame proof filters. A vertical distance of not less than 48" shall be provided between the top of the appliance and filters or any other combustible material. Exhaust installation must conform to local codes.

AIR SUPPLY: Provisions for adequate air supply must be provided.

GENERAL OPERATING PROCEDURES

The Ultra-Max series electric griddles may be wired for operation in the field for either 1-phase or 3-phase power supplies by making line connections at the junction box(es) located at the rear of the unit. Models 724T-230/400V, 736T-230/400V & 748T-230/400V, should be wired for 3-phase power supply only. Two junction boxes are provided on the 760T & 772T for making line connections.

CONNECTING POWER SUPPLY

Detach cover on junction box at rear of unit. There is a terminal block for the supply connection in the junction box. Wires can be rerouted in the terminal block for 3phase hook-up. See wiring diagrams and model voltage on unit panel

LOCATING AND LEVELING THE UNIT

Do not install the unit closer than 1-inch from a side wall and/or closer than 1-inch from a rear wall. Make sure the unit is properly ventilated. Level unit by adjusting the (4) feet which have an adjustment of 1-3/4" (43.75mm) for accurate leveling and perfect line-up with other Ultra-Max series units.

GENERAL OPERATING PROCEDURES continued

SEASONING THE GRIDDLE HEATING SURFACE

Before initial use, clean the griddle surface thoroughly with hot soap and water. See Griddle care on page 4 for further information. After the griddle has been thoroughly cleaned, it should be seasoned to prevent food from sticking. Before using and after each thorough scouring, season the griddle heating surface in the following manner.

1. Remove any shipping material from the cooking surface and thoroughly clean the entire grill with hot soap and water.
2. Turn temperature control dials to 350°F (177°C).
3. Using a clean cloth, not a spatula, brush a thin film of cooking oil over the griddle cooking surface. This film should remain on the hot griddle surface for half an hour.
4. Remove the excess oil and wipe clean.
5. Apply another film of cooking oil over the hot cooking area for another half hour and again remove excess oil and wipe clean. The griddle surface should now be ready for use.

Even with careful seasoning, food may, to some extent, stick to the griddle cooking surface until the griddle plate is broken in.

TEMPERATURE CONTROL

The temperature controls are combination “ON/OFF” switches and thermostats. Turning the dial knob automatically maintains the selected heat range.

The Ultra-Max electric griddle line has one thermostat for every 12” (30cm) section of griddle that operates independently of one another. Each thermostat controls the section of the griddle above it and may be set at different temperatures as desired.

COOKING

Set the thermostat dial knob at the temperature desired. After a short pre-heating period, the thermostat will automatically maintain the selected temperature.

IDLING

During idle periods, to save on operating costs, lower the temperature setting of the thermostat to about 250°F (121°C). It is not necessary to maintain cooking temperature during idle periods, as the griddle can quickly be reheated to the desired temperature.

SIGNAL LIGHTS

Each thermostat has its own signal light which indicates when the unit’s control knob is in the on position. Cooking surface will be hot when the control knob is in this position.

CLEANING

GRIDDLE CARE (NON-CHROME SURFACES)

It takes very little time and effort to keep the griddle attractive and performing at top efficiency. If grease is permitted to accumulate, it will form a gummy cake and then carbonize into a hard substance which is extremely difficult to remove. To prevent this condition, the following suggestions for cleanliness should be followed:

1. After each use, scrape the griddle with a scraper or flexible spatula to remove excess grease and food. A waste drawer is provided for the drippings. If there is an accumulation of burned on grease and food, the griddle should be thoroughly scoured and re-seasoned. Use pumice or griddle stone while the griddle is warm. Do not use steel wool because of the danger of steel slivers getting into the food.
2. Daily, use a clean cloth and a good non-abrasive cleaner to clean the stainless steel body of the griddle. Wipe the polished front with a soft cloth.
3. At least once a day, remove the waste drawer and wash in the same way as an ordinary cooking utensil. The drawers are removed by pulling forward until they are released from their track.



GRIDDLE CARE (CHROME SURFACES)

(Chrome surface griddles are marked with "CHS" at the end of the model number designation on the nameplate.) It takes very little time and effort to keep this Industrial Chrome griddle surface sparkling clean and performing at top efficiency. DO NOT allow grease to accumulate as it will carbonize and become difficult to remove. To prevent this condition, the following cleaning suggestions should be followed:

1. Remove excess oil and food regularly with a 4" (100mm) wide razor sharp type scraper and wipe surface with a damp cloth if desired.
2. Following the scraping, for end of the day cleaning, a damp cloth and a non-silicated, non-abrasive, non-chlorinated cleaner such as Bon-Ami may be used to wipe surface clean, followed by wiping with clean wet cloth.
3. Follow steps 2 and 3 from Griddle Care (Non-Chrome Surfaces).

ON CHROME SURFACES:

1. **Never** use pumice, griddle stones, or abrasives on the surface.
2. **Never** strike the griddle surface with a sharp instrument or spatula edge.
3. **Never** use steel wool.
4. **Never** use commercial liquid grill cleaner on the griddle surface.
5. Abusing the surface voids the warranty.

GREASE DRAWER

A grease drawer is located at the front can be removed for cleaning by pulling drawer forward. This drawer contains hot grease and should be checked and emptied when necessary or at least once a day.

EXERCISE EXTREME CARE IN HANDLING THE GREASE DRAWER CONTAINING HOT GREASE.

Never pour large amounts of water onto a hot griddle surface, the sudden temperature change generated by the steam can cause the surface to warp and possibly the thermal sensors in your hood fire suppression system to discharge. Instead follow the cleaning procedures in this manual.

MAINTENANCE AND REPAIRS

Contact the factory, a service representative, or a local service company for service or required maintenance.



LIMITED EQUIPMENT WARRANTY

Star Manufacturing [as well as its subsidiaries] warrants to the original purchaser of new Star products to be free from defects in material or workmanship, under normal and proper use and maintenance service as specified by Star and upon proper installation and start-up in accordance with the instructions supplied with each Star unit. Star's obligation under this warranty is limited to a period of one [1] year beginning from the date of original installation. The warranty period begins upon the date of original installation or up to six [6] months after the original shipment, from the factory, of the covered product. Defects that occur as a result of normal use, within the time period and limitations defined in this warranty, will at Star's discretion have the parts replaced or repaired by Star or a Star-authorized service agency.

THIS WARRANTY IS SUBJECT TO ALL LISTED CONDITIONS

Repairs performed under this warranty are to be performed by a Star authorized service agency. Star will not be responsible for charges incurred or service performed by non-authorized repair agencies. In all cases, the nearest Star-authorized service agency must be used. Star will be responsible for normal labor charges incurred in the repair or replacement of a warranted product within 50 miles (80.5 km) of an authorized service agency. Time and expense charges for anything beyond that distance will be the responsibility of the owner. All labor will need to be performed during regular service hours. Any overtime premium will be charged to the owner. For all shipments outside the U.S.A. and Canada, please see the International Warranty for specific details. It is the responsibility of the owner to inspect and report any shipping damage claims, hidden or otherwise, promptly following delivery. No mileage or travel charges will be honored on any equipment that is deemed portable. In general, equipment with a cord and plug weighing less than 50 lb. (22.7 kg) is considered portable and should be taken or shipped to the closest authorized service agency, transportation prepaid.

PORTABLE EQUIPMENT EXAMPLES

- QCS1, QCS2, and RCS2 toasters
- Condiment dispensers

CONTACT

Should you require any assistance regarding the operation or maintenance of any Star Manufacturing; phone, email or fax our service department. In all correspondence provide the model number and serial number of the unit needing service; include the voltage or gas type.

Normal Business Hours: 8:00 a.m. to 5:00 p.m. Central

Telephone: 800-264-7827 Tech Service Option 2

Email: TechService@partstown.com

www.Star-Mfg.com

WARRANTY EXCLUSIONS

THE FOLLOWING WILL NOT BE COVERED UNDER WARRANTY.

Star's sole obligation under this warranty is limited to either repair or replacement parts, subject to the additional limitations detailed below. This warranty neither assumes nor authorizes any person to assume obligations other than those expressly covered by this warranty.

- Any product which has not been used, maintained, or installed in accordance with the directions published in the appropriate installation sheet and/or owner's manual, including incorrect gas or electrical connection. Star is not liable for any unit which has been mishandled, abused, misapplied, subjected to harsh chemicals, modified by unauthorized personnel, damaged by flood, fire, or other acts of nature [or God], or which have an altered or missing serial number.
- Installation, labor, and job checkouts, calibration of heat controls, air and gas burner/bypass/pilot adjustments, gas or electrical system checks, voltage and phase conversions, cleaning of equipment, or seasoning of griddle surface.
- Replacement of fuses or resetting of circuit breakers, safety controls, or reset buttons.
- Replacement of broken or damaged glass components, quartz heating elements, and light bulbs.
- Labor charges for all removable and consumable parts in gas charbroilers and hotplates, including but not limited to burners, grates, and radiants.
- Any labor charges incurred by delays, waiting time, or operating restrictions that hinder a service technician's ability to perform service.
- Replacement of parts that fail or are damaged due to normal wear or labor for replacement of parts that can be replaced during a daily cleaning routine, such as but not limited to silicone belts, PTFE non-stick sheets, control labels, knobs, bulbs, fuses, quartz heating elements, baskets, racks, and grease drawers.
- Any economic loss of business or profits.
- Non-OEM parts. Use of non-OEM parts without Star's approval will void the warranty.
- Units exceeding one [1] year from original installation date.

ADDITIONAL WARRANTIES

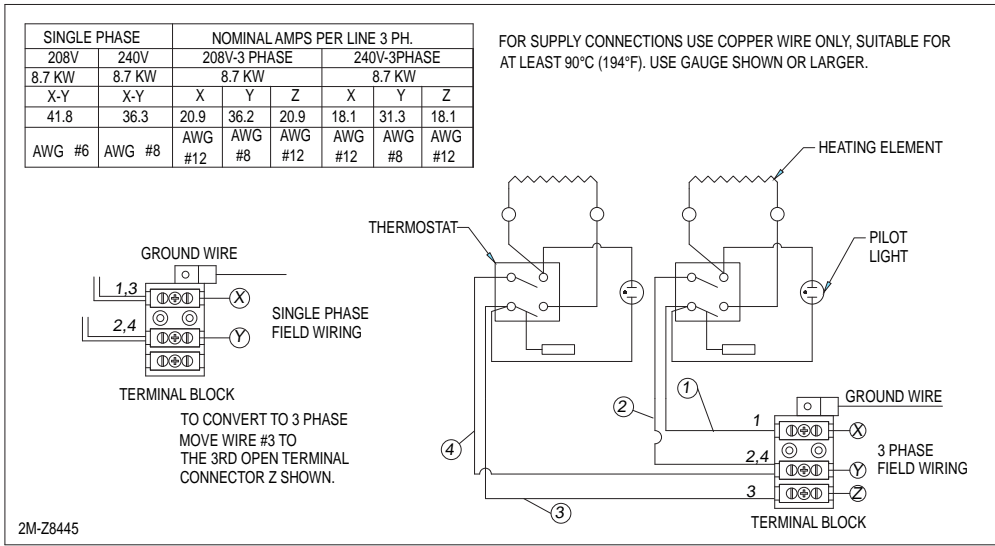
- Specific/chain-specific equipment may have additional and/or extended warranties.

PRODUCTS	PARTS	LABOR
Star Ultra Max ® fryers, griddles, charbroilers and hotplates	2 years	2 years
Star Max ® fryers, griddles, charbroilers and hotplates	2 years	2 years
Staltek™ roller grill coatings	5 years	
Cast iron grates, burners and burner shields	1 year	
Original Star, Toastmaster or Holman parts sold to repair equipment	90 days	

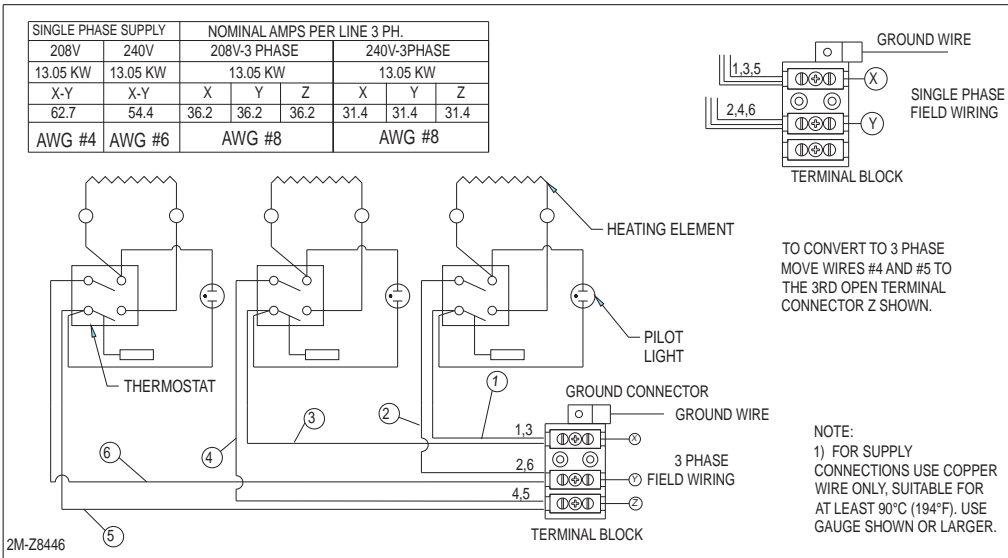
The foregoing warranty is in lieu of any, and all other warranties expressed or implied and constitutes the entire warranty.

2M-Z16214, Ultra-Max Electric Griddle

NOTE: Wattage is 4.35 kw per heated zone. See unit nameplate on front panel for correct supply voltage.

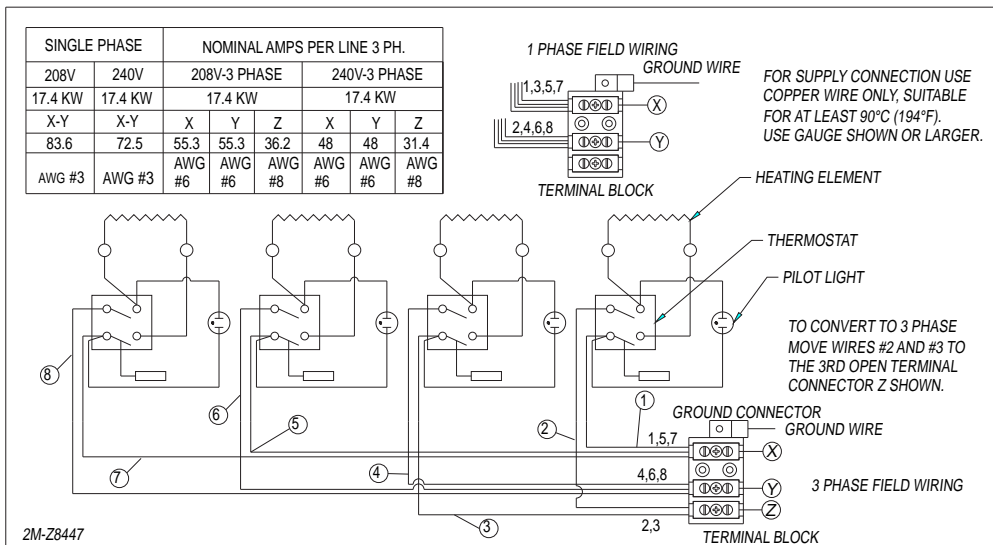


MODEL 724T AND 760T (1SIDE)

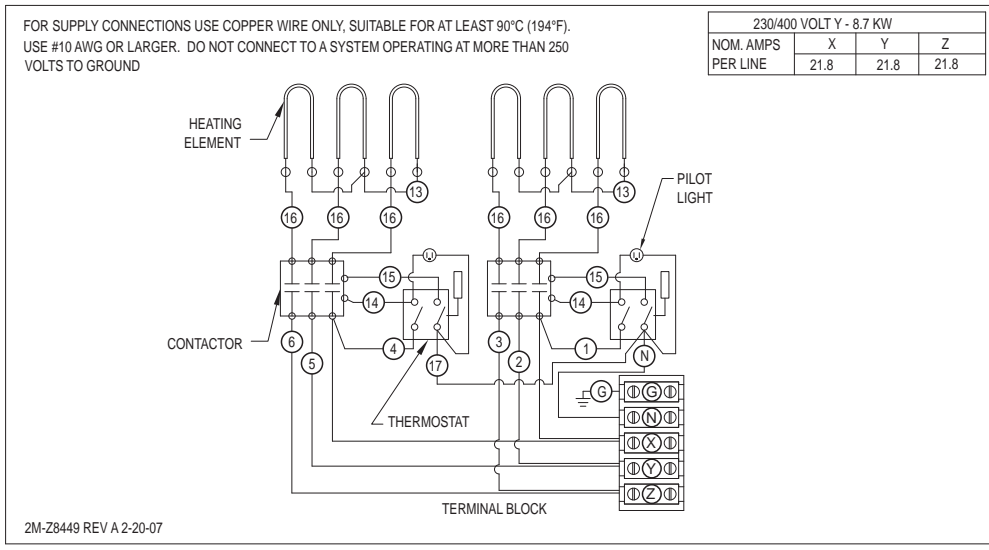


MODEL 736T, 760T (1 SIDE), 772T (BOTH SIDES EACH)

2M-Z16214, Ultra-Max Electric Griddle

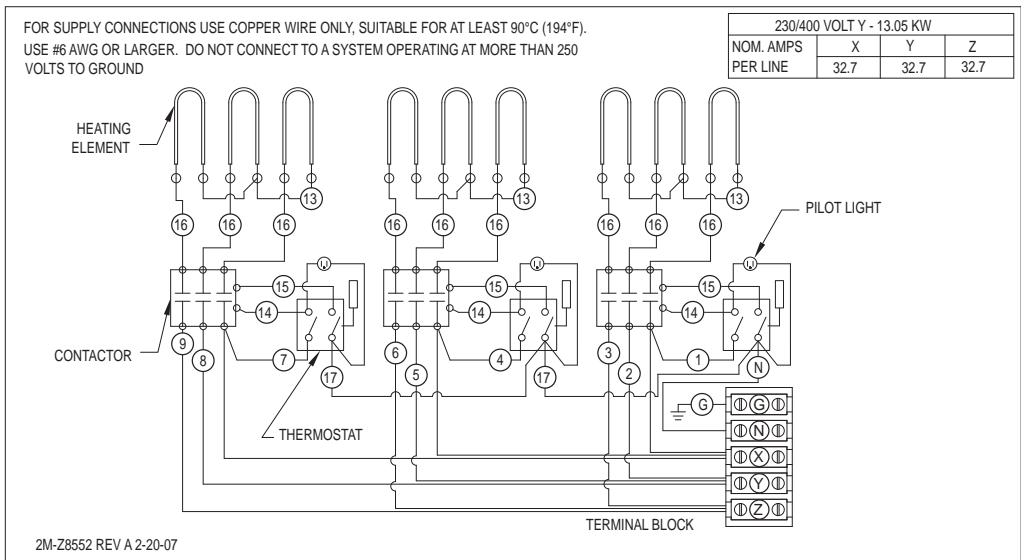


MODEL 748T

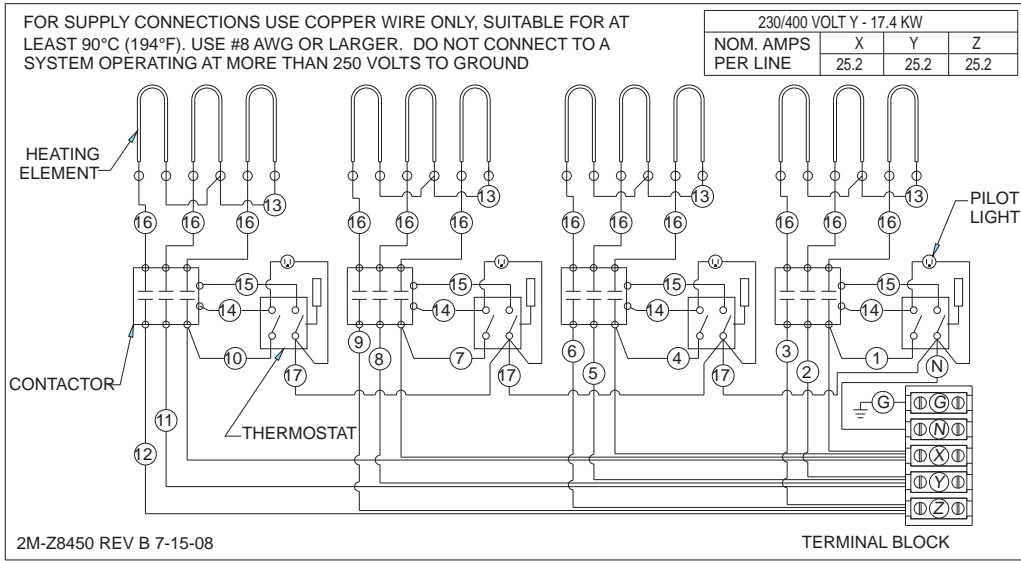


MODEL 724T 230V 3 PHASE

NOTE: Wattage is 4.35 kw per heated zone. (1450 watts per-element) See unit nameplate for correct supply voltage.



MODEL 736T 230V 3 PHASE

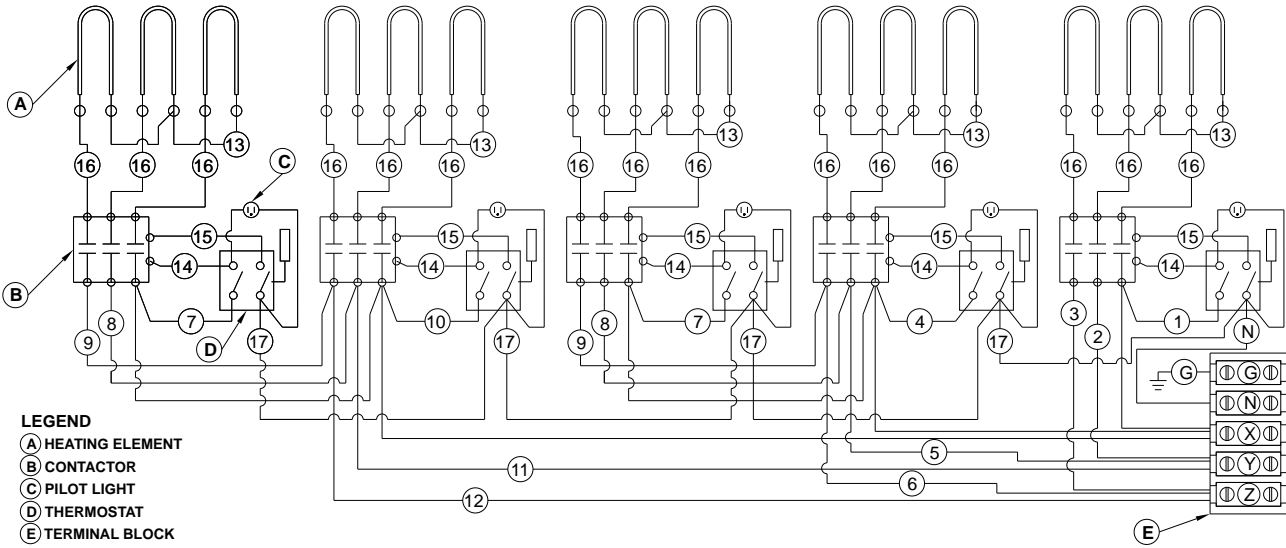


MODEL 748T 230V 3 PHASE

2M-Z16214, Ultra-Max Electric Griddle

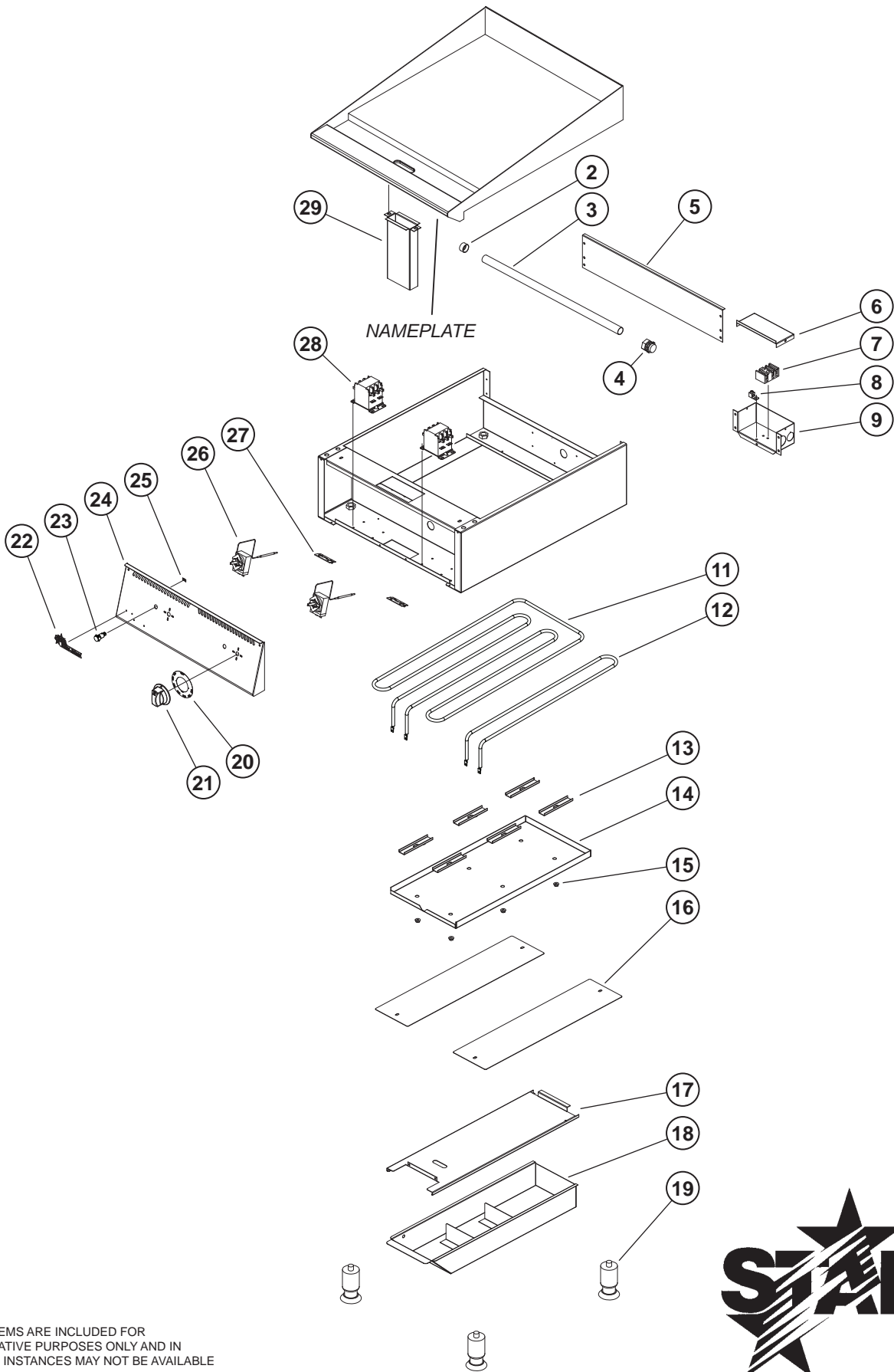
FOR SUPPLY CONNECTIONS USE COPPER WIRE ONLY, SUITABLE FOR AT LEAST 90°C (194°F). USE #8 AWG OR LARGER. DO NOT CONNECT TO A SYSTEM OPERATING AT MORE THAN 250 VOLTS TO GROUND

760T 230/400 VOLT Y - 21.75 KW			
NOM. AMPS PER LINE	X	Y	Z
	31.5	31.5	31.5



MODEL 760T 230/400V Y 3 PHASE

2M-Z11776



NAMEPLATE

SOME ITEMS ARE INCLUDED FOR ILLUSTRATIVE PURPOSES ONLY AND IN CERTAIN INSTANCES MAY NOT BE AVAILABLE

MODEL 724TA, 736TA, 748TA, 760TA, 772TA

STAR MANUFACTURING INTERNATIONAL, INC.
SK2122 REV B (05-23)



2M-Z16214, Ultra-Max Electric Griddle

PARTS LIST

REV F (05-23)

Model: 724TA ULTRA-MAX ELECTRIC GRIDDLE				
Fig No.	Part No.	Description	Qty	Application
2	2E-Z8356	3/4" PLASTIC END BUSHING	1	
3	2E-Z8361	3/4"x 22 3/4 EMT TUBE	1	
4	2E-Z8358	3/4" EMT CONNECTOR	1	
5	G5-Z8491	REAR PANEL 24	1	
6	G5-Z8481	JUNCTION BOX COVER	1	
7	2E-37465	TERM BLOCK 3POLE 85AMP SOLD AS WS-50131	1	208/240V
8	2E-Z8423	TERMINAL LUG 14-2 AL-CU	1	208/240V
9	G5-824023	JUNCTION BOX ASSY	1	208/240V
11	2N-Z8484	HEATING ELEMENT 4350W 208 SJH STOCK ITEM	2	208V
	2N-Z8485	HEATING ELEMENT 4350W 240		240V
13	G5-Z8489	HEATER ELEMENT CLAMPS	12	
14	G5-Z8488	HEATER ELEMENT SHIELD	2	
15	2C-6517	NUT 1/4-20 HEX STL NP W/SHAKEPROOF	24	
16	G5-Z8468	BOTTOM PANEL 24	2	
17	G5-Z8515	DRAWER SLIDE	1	
18	G5-824014	GREASE DRAWER ASSY	1	
19	2R-Z19119	LEG 4" X 2"D 5/8-16 S.S.	4	
20	2M-Z16040	GRAPHIC, DIAL 450F CW 724TA	2	
21	G3-624330	KNOB ASSY LG KEY T REPLACES I4-Z15487	2	
22	2M-Z15805	LOGO, ULTRA-MAX	1	
23	2J-Y6690	PILOT LIGHT 240V	2	
24	G5-Z16208	FRONT PANEL - 724TA	1	
25	2C-8477	CLIP .125 PO STL PHOS TINNEMAN C12003-017*VMI*	4	
26	2T-Z5958	THERMOSTAT, STAR MAX ELECTRIC GRIDDLES	2	
27	2P-Z8478	HINGE, 2.5 U-MAX ELECTRIC GRIDDLES	2	
29	G5-824012	CHUTE ASSEMBLY	1	
NI	2M-Z8445	WIRING DIAGRAM LABEL 24" U-MAX ELECTRIC GRIDDLE	1	724TA

2M-Z16214, Ultra-Max Electric Griddle

**IMPORTANT: WHEN ORDERING, SPECIFY VOLTAGE OR TYPE GAS DESIRED
INCLUDE MODEL AND SERIAL NUMBER**

PAGE 1
OF 1

Some items are included for illustrative purposes only and in certain instances may not be available.



PARTS LIST

REV F (05-23)

Model: 736TA ULTRA-MAX ELECTRIC GRIDDLE				
Fig No.	Part No.	Description	Qty	Application
2	2E-Z8356	3/4" PLASTIC END BUSHING U-MAX ELECTRIC GRIDDLES	1	
3	2E-Z8361	3/4"x 22 3/4 EMT TUBE U-MAX ELECTRIC GRIDDLES	1	
4	2E-Z8358	3/4" EMT CONNECTOR U-MAX ELECTRIC GRIDDLES	1	
5	G5-Z8492	REAR PANEL 36	1	
6	G5-Z8481	JUNCTION BOX COVER	1	
7	2E-37465	TERM BLOCK 3POLE 85AMP SOLD AS WS-50131	1	208/240V
8	2E-Z8423	TERMINAL LUG 14-2 AL-CU U-MAX ELECTRIC GRIDDLES	1	208/240V
9	G5-824023	JUNCTION BOX ASSY	1	
11	2N-Z8484	HEATING ELEMENT 4350W 208 SJH STOCK ITEM	3	208V
	2N-Z8485	HEATING ELEMENT 4350W 240		240V
13	G5-Z8489	HEATER ELEMENT CLAMPS	18	
14	G5-Z8488	HEATER ELEMENT SHIELD	3	
15	2C-6517	NUT 1/4-20 HEX STL NP W/SHAKEPROOF	36	
16	G5-Z8468	BOTTOM PANEL 24	1	
	G5-Z8469	BOTTOM PANEL 36	1	
17	G5-Z8515	DRAWER SLIDE	1	
18	G5-824014	GREASE DRAWER ASSY	1	
19	2R-Z19119	LEG 4" X 2"D 5/8-16 S.S.	4	
20	2M-Z16040	GRAPHIC, DIAL 450F CW 724TA	3	
21	G3-624330	KNOB ASSY LG KEY T REPLACES I4-Z15487	3	
22	2M-Z15805	LOGO, ULTRA-MAX	3	
23	2J-Y6690	PILOT LIGHT 240V	1	
24	G5-Z16153	FRONT PANEL - 736TA	3	
25	2C-8477	CLIP .125 PO STL PHOS TINNEMAN C12003-017*VMI*	1	
26	2T-Z5958	THERMOSTAT, STAR MAX ELECTRIC GRIDDLES	4	
27	2P-Z8478	HINGE, 2.5 U-MAX ELECTRIC GRIDDLES	3	
29	G5-824012	CHUTE ASSEMBLY	2	
NI	2M-Z8446	WIRING DIAGRAM LABEL 36" U-MAX ELECTRIC GRIDDLE	1	

2M-Z16214, Ultra-Max Electric Griddle

**IMPORTANT: WHEN ORDERING, SPECIFY VOLTAGE OR TYPE GAS DESIRED
INCLUDE MODEL AND SERIAL NUMBER**

PAGE 1
OF 1

Some items are included for illustrative purposes only and in certain instances may not be available.



PARTS LIST

REV F (05-23)

Model: 748TA ULTRA-MAX ELECTRIC GRIDDLE				
Fig No.	Part No.	Description	Qty	Application
2	2E-Z8356	3/4" PLASTIC END BUSHING U-MAX ELECTRIC GRIDDLES	1	
3	2E-Z8361	3/4"x 22 3/4 EMT TUBE U-MAX ELECTRIC GRIDDLES	1	
4	2E-Z8358	3/4" EMT CONNECTOR U-MAX ELECTRIC GRIDDLES	1	
5	G5-Z8493	REAR PANEL 48	1	
6	G5-Z8481	JUNCTION BOX COVER	1	208/240V
7	2E-37465	TERM BLOCK 3POLE 85AMP SOLD AS WS-50131	1	208/240V
8	2E-Z8423	TERMINAL LUG 14-2 AL-CU U-MAX ELECTRIC GRIDDLES	1	208/240V
9	G5-824023	JUNCTION BOX ASSY	1	208/240V
11	2N-Z8484	HEATING ELEMENT 4350W 208 SJH STOCK ITEM	4	208V
	2N-Z8485	HEATING ELEMENT 4350W 240		240V
13	G5-Z8489	HEATER ELEMENT CLAMPS	24	
14	G5-Z8488	HEATER ELEMENT SHIELD	4	
15	2C-6517	NUT 1/4-20 HEX STL NP W/SHAKEPROOF	48	
16	G5-Z8468	BOTTOM PANEL 24	1	
	G5-Z8470	BOTTOM PANEL 48		
17	G5-Z8515	DRAWER SLIDE	1	
18	G5-824014	GREASE DRAWER ASSY	1	
19	2R-Z19119	LEG 4" X 2"D 5/8-16 S.S.	4	
20	2M-Z16040	GRAPHIC, DIAL 450F CW 724TA	4	
21	G3-624330	KNOB ASSY LG KEY T REPLACES I4-Z15487	4	
22	2M-Z15805	LOGO, ULTRA-MAX	1	
23	2J-Y6690	PILOT LIGHT 240V	4	
24	G5-Z16209	FRONT PANEL - 748TA	1	
25	2C-8477	CLIP .125 PO STL PHOS TINNERMAN C12003-017*VMI*	3	
26	2T-Z5958	THERMOSTAT, STAR MAX ELECTRIC GRIDDLES	4	
27	2P-Z8478	HINGE, 2.5 U-MAX ELECTRIC GRIDDLES	2	
29	G5-824012	CHUTE ASSEMBLY	1	
NI	2M-Z8447	WIRING DIAGRAM LABEL 48" U-MAX ELECTRIC GRIDDLE	1	208/240V

2M-Z16214, Ultra-Max Electric Griddle

**IMPORTANT: WHEN ORDERING, SPECIFY VOLTAGE OR TYPE GAS DESIRED
INCLUDE MODEL AND SERIAL NUMBER**

PAGE 1
OF 1

Some items are included for illustrative purposes only and in certain instances may not be available.



PARTS LIST

REV F (05-23)

Model: 760TA ULTRA-MAX ELECTRIC GRIDDLE				
Fig No.	Part No.	Description	Qty	Application
2	2E-Z8358	3/4" EMT CONNECTOR U-MAX ELECTRIC GRIDDLES	2	208/240V
3	2E-Z8361	3/4"x 22 3/4 EMT TUBE U-MAX ELECTRIC GRIDDLES	2	208/240V
4	2E-Z8356	3/4" PLASTIC END BUSHING U-MAX ELECTRIC GRIDDLES	2	208/240V
5	G5-Z8494	REAR PANEL 60	1	760TA-208V
6	G5-Z8481	JUNCTION BOX COVER	2	208/240V
7	2E-37465	TERM BLOCK 3POLE 85AMP SOLD AS WS-50131	2	208/240V
8	2E-Z8423	TERMINAL LUG 14-2 AL-CU U-MAX ELECTRIC GRIDDLES	2	208/240V
9	G5-824023	JUNCTION BOX ASSY	2	208/240V
11	2N-Z8484	HEATING ELEMENT 4350W 208 SJH STOCK ITEM	5	208V
	2N-Z8485	HEATING ELEMENT 4350W 240		240V
13	G5-Z8489	HEATER ELEMENT CLAMPS	30	
14	G5-Z8488	HEATER ELEMENT SHIELD	5	
15	2C-6517	NUT 1/4-20 HEX STL NP W/SHAKEPROOF	60	
16	G5-Z8468	BOTTOM PANEL 24	2	
	G5-Z8471	BOTTOM PANEL 60	1	
17	G5-Z8515	DRAWER SLIDE	2	
18	G5-824014	GREASE DRAWER ASSY	2	
19	2R-Z19119	LEG 4" X 2"D 5/8-16 S.S.	4	
20	2M-Z16040	GRAPHIC, DIAL 450F CW 724TA	5	
21	G3-624330	KNOB ASSY LG KEY T REPLACES I4-Z15487	5	
22	2M-Z15805	LOGO, ULTRA-MAX	1	
23	2J-Y6690	PILOT LIGHT 240V	5	
24	G5-Z16210	FRONT PANEL - 760TA	1	
25	2C-8477	CLIP .125 PO STL PHOS TINNERMAN C12003-017*VMI*	4	
26	2T-Z5958	THERMOSTAT, STAR MAX ELECTRIC GRIDDLES	5	
27	2P-Z8478	HINGE, 2.5 U-MAX ELECTRIC GRIDDLES	2	
29	G5-824012	CHUTE ASSEMBLY	2	
NI	2M-Z8445	WIRING DIAGRAM LABEL 24" U-MAX ELECTRIC GRIDDLE	1	208/240V

2M-Z16214, Ultra-Max Electric Griddle

**IMPORTANT: WHEN ORDERING, SPECIFY VOLTAGE OR TYPE GAS DESIRED
INCLUDE MODEL AND SERIAL NUMBER**

PAGE 1
OF 1

Some items are included for illustrative purposes only and in certain instances may not be available.



PARTS LIST

REV F (05-23)

Model: 772TA ULTRA-MAX ELECTRIC GRIDDLE				
Fig No.	Part No.	Description	Qty	Application
2	2E-Z8356	3/4" PLASTIC END BUSHING U-MAX ELECTRIC GRIDDLES	2	
3	2E-Z8361	3/4"x 22 3/4 EMT TUBE U-MAX ELECTRIC GRIDDLES	2	
4	2E-Z8358	3/4" EMT CONNECTOR U-MAX ELECTRIC GRIDDLES	2	
5	G5-Z8495	REAR PANEL 72	1	
6	G5-Z8481	JUNCTION BOX COVER	2	
7	2E-37465	TERM BLOCK 3POLE 85AMP SOLD AS WS-50131	2	
8	2E-Z8423	TERMINAL LUG 14-2 AL-CU U-MAX ELECTRIC GRIDDLES	2	
9	G5-824023	JUNCTION BOX ASSY	2	
11	2N-Z8484	HEATING ELEMENT 4350W 208 SJH STOCK ITEM	6	208V
13	G5-Z8489	HEATER ELEMENT CLAMPS	36	
14	G5-Z8488	HEATER ELEMENT SHIELD	6	
15	2C-6517	NUT 1/4-20 HEX STL NP W/SHAKEPROOF	60	
16	G5-Z8468	BOTTOM PANEL 24	2	
16	G5-Z8472	BOTTOM PANEL 72	1	
17	G5-Z8515	DRAWER SLIDE	2	
18	G5-824014	GREASE DRAWER ASSY	2	
19	2R-Z19119	LEG 4" X 2"D 5/8-16 S.S.	4	
20	2M-Z16040	GRAPHIC, DIAL 450F CW 724TA	6	
21	G3-624330	KNOB ASSY LG KEY T REPLACES I4-Z15487	6	
22	2M-Z15805	LOGO, ULTRA-MAX	1	
23	2J-Y6690	PILOT LIGHT 240V	6	
24	G5-Z16211	FRONT PANEL - 772TA	1	
25	2C-8477	CLIP .125 PO STL PHOS TINNERMAN C12003-017*VMI*	4	
26	2T-Z5958	THERMOSTAT, STAR MAX ELECTRIC GRIDDLES	6	
27	2P-Z8478	HINGE, 2.5 U-MAX ELECTRIC GRIDDLES	2	
29	G5-824012	CHUTE ASSEMBLY	2	
NI	2M-Z8446	WIRING DIAGRAM LABEL 36" U-MAX ELECTRIC GRIDDLE	2	

2M-Z16214, Ultra-Max Electric Griddle

**IMPORTANT: WHEN ORDERING, SPECIFY VOLTAGE OR TYPE GAS DESIRED
INCLUDE MODEL AND SERIAL NUMBER**

PAGE 1
OF 1

Some items are included for illustrative purposes only and in certain instances may not be available.



STAR MANUFACTURING INTERNATIONAL INC.

Star - Holman - Lang - Wells - Toastmaster

265 HOBSON ST. SMITHVILLE, TN 37166

(800) 264-7827

www.star-mfg.com