

Ultra Max® Ultra Max® Ultra Max®

# Ultra Max<sup>®</sup>

## ELECTRIC CONVEYOR OVEN

MODEL

UM1833A

UM1850A

### Installation and Operation Instructions

2M-Z9844 Rev. G 02/2018



UM1850A



<sup>1</sup>230 V models only

## LIMITED EQUIPMENT WARRANTY

Star Manufacturing [as well as its subsidiaries] warranties new products to be free from defects in material and/or workmanship for a period of one [1] year from the date of original installation, except as noted below. Defects that occur as a result of normal use, within the time period and limitations defined in this warranty, will at Star's discretion have the parts replaced or repaired by Star or a Star-authorized service agency.

### THIS WARRANTY IS SUBJECT TO ALL LISTED CONDITIONS.

Repairs performed under this warranty are to be performed by a Star-authorized service agency. Star will not be responsible for charges incurred or service performed by non-authorized repair agencies. In all cases, the nearest Star-authorized service agency must be used.

Star will be responsible for normal labor charges incurred in the repair or replacement of a warranted product within 50 miles (80.5 km) of an authorized service agency. Time and expense charges for anything beyond that distance will be the responsibility of the owner. All labor will need to be performed during regular service hours. Any overtime premium will be charged to the owner. For all shipments outside the U.S.A. and Canada, please see the International Warranty for specific details.

It is the responsibility of the owner to inspect and report any shipping damage claims, hidden or otherwise, promptly following delivery.

No mileage or travel charges will be honored on any equipment that is deemed portable. In general, equipment with a cord and plug weighing less than 50 lb. (22.7 kg) is considered portable and should be taken or shipped to the closest authorized service agency, transportation prepaid.

### PORTABLE EQUIPMENT EXAMPLES

- 514LL fryer
- 15MC and 18MCP hot food merchandisers
- QCS1, QCS2, and RCS2 toasters
- 16PD-A pretzel merchandisers
- condiment dispensers except HPD- and SPD-series models
- all pop-up toasters
- all pastry display cabinets
- all heat lamps
- J4R popcorn machine
- 12NCPW and 15NCPW nacho merchandisers
- nacho cheese warmers except 11WLA-series models
- specialty food warmers except 13OR, 11RW, and 11WSA models
- all butter dispensers
- all nacho chip merchandisers
- all accessories

### CONTACT

Should you require any assistance regarding the operation or maintenance of any Star equipment; write, phone, fax or email our service department. In all correspondence mention the model number and the serial number of your unit, as well as the voltage or type of gas you are using.

Business hours are 8:00 a.m. to 4:30 p.m. Central Standard Time

Telephone *Star/Toasmaster* 314.678.6306

Fax 314.781.2714

Email [customerservice@star-mfg.com](mailto:customerservice@star-mfg.com)

[www.star-mfg.com](http://www.star-mfg.com) • [www.toastmastercorp.com](http://www.toastmastercorp.com)

## WARRANTY EXCLUSIONS

THE FOLLOWING WILL NOT BE COVERED UNDER WARRANTY.

- Any product which has not been used, cleaned, maintained, or installed in accordance with the directions published in the appropriate installation sheet and/or owner's manual as well as national and local codes, including incorrect gas, electrical, or water connection. Star is not liable for any unit which has been mishandled, abused, misapplied, subjected to chlorides, harsh chemicals, or caustic cleaners, damaged from exposure to hard water, modified by unauthorized personnel, damaged by flood, fire, or other acts of nature [or God], or which have an altered or missing serial number.
- Installation, labor, and job checkouts, calibration of heat controls, air and gas burner/bypass/pilot adjustments, gas or electrical system checks, voltage and phase conversions, cleaning of equipment, or seasoning of griddle surface.
- Replacement of fuses or resetting of circuit breakers, safety controls, or reset buttons.
- Replacement of broken or damaged glass components, quartz heating elements, and light bulbs.
- Labor charges for all removable parts in gas charbroilers and hotplates, including but not limited to burners, grates, and radiants.
- Any labor charges incurred by delays, waiting time, or operating restrictions that hinder a service technician's ability to perform service.
- Parts that fail or are damaged due to normal wear or labor for replacement of Items that can easily be replaced during a daily cleaning routine. such as but not limited to silicone belts, PTFE non-stick sheets, knobs, control labels, bulbs, fuses, quartz heating elements, baskets, racks, and grease drawers.
- Components that should be replaced when damaged or worn, but have been field-repaired instead [eg. field-welded fry pots]
- Any loss of business or profits.

### ADDITIONAL WARRANTIES

Specialty/chain specific versions may also have additional and/or extended warranties.

PRODUCTS	PARTS	LABOR
Star Ultra-Max® griddles, charbroilers, and hotplates	2 years	2 years
Star-Max® fryers, griddles, charbroilers, and hotplates	2 years	2 years
Jetstar® popcorn poppers	2 years	2 years
Staltek™ roller grill coatings	5 years	
chrome griddle surfaces [against peeling]	5 years	
cast iron grates, burners, and burner shields	180 days	
original Star or Toastmaster parts sold to repair Star or Toastmaster equipment	90 days	
Service First	1 year	

## SAFETY SYMBOL



These symbols are intended to alert the user to the presence of important operating and maintenance instructions in the manual accompanying the appliance.

---

## RETAIN THIS MANUAL FOR FUTURE REFERENCE NOTICE

Using any part other than genuine Star factory supplied parts relieves the manufacturer of all liability.

Star reserves the right to change specifications and product design without notice. Such revisions do not entitle the buyer to corresponding changes, improvements, additions or replacements for previously purchased equipment.

Due to periodic changes in designs, methods, procedures, policies and regulations, the specifications contained in this sheet are subject to change without notice. While Star International Holdings Inc., Company exercises good faith efforts to provide information that is accurate, we are not responsible for errors or omissions in information provided or conclusions reached as a result of using the specifications. By using the information provided, the user assumes all risks in connection with such use.

## MAINTENANCE AND REPAIRS

Contact your local authorized service agent for service or required maintenance.

Please record the model number, serial number, voltage and purchase date in the area below and have it ready when you call to ensure a faster service.

Model No. \_\_\_\_\_  
Serial No. \_\_\_\_\_  
Voltage \_\_\_\_\_  
Purchase Date \_\_\_\_\_

### Authorized Service Agent Listing

Reference the listing provided with the unit

or

for an updated listing go to:

**Website:** [www.star-mfg.com](http://www.star-mfg.com)  
**E-mail** [customerservice@star-mfg.com](mailto:customerservice@star-mfg.com)

### Service Help Desk

**Business Hours:** 8:00 am to 4:30 p.m. Central Standard Time  
**Telephone:** (314) 678-6303  
**Fax:** (314) 781-2714  
**E-mail** [customerservice@star-mfg.com](mailto:customerservice@star-mfg.com)  
**Website:** [www.star-mfg.com](http://www.star-mfg.com)

**Mailing Address:** Star Manufacturing International Inc.  
265 Hobson Street  
Smithville, TN 37166  
U.S.A

## SPECIFICATIONS

---

### UM1833A-208V, UM1833A-240V

**Rating/Connection:** 6,400 Watts (6,000 element), 32/29 Amps at 208/240V  
NEMA 6-50 plus with six foot oil-resistant cord

**Electrical Supply:** Separate 50 Amp 208/240VAC, single phase, 50/60 Hz service per Oven

**Approximate Weight:** (1833 Oven with Legs): Installed - 180 Lbs (81.8 kg), Shipping - 210 Lbs (95.5 kg)

**Dimensions:** Width: 51.2" (130.0 cm) - Oven with Shelves

Depth: 30.4" (77.2 cm)

Height: 20.0" (50.8 cm) - Single Oven with Legs

36.0" (91.4 cm) - Double Oven with Legs

**Recommended Minimum Clearances:**

Rear of Oven to Wall 0" (0 cm)

Conveyor Extensions to Wall 6" (15.2 cm)

---

### UM1850A-208V, UM1850A-240V

**Rating/Connection:** 6,400 Watts (6,000 element), 32/29 Amps at 208/240V  
NEMA 6-50 plus with six foot oil-resistant cord

**Electrical Supply:** Separate 50 Amp 208/240VAC, single phase, 50/60 Hz service per Oven

**Approximate Weight** (1850 Oven with Legs): Installed - 210 Lbs (95.5 kg), Shipping - 240 Lbs (109.1 kg)

**Dimensions:** Width: 50.0" (127.0 cm)

Depth: 30.4" (77.2 cm)

Height: 20.0" (50.8 cm) - Single Oven with Legs

36.0" (91.4 cm) - Double Oven with Legs

**Recommended Minimum Clearances:**

Rear of Oven to Wall 0" (0 cm)

Conveyor Extensions to Wall 6" (15.2 cm)

---

### UM1833A-230V

**Rating/Connection:** 6,600 Watts (3 x 2,000W element assembly)  
Terminal block supplied (L1, L2, L3, N, Ground)

**Electrical Supply:** Separate service per oven - 15 Amp, 400/230 VAC, 3 phase, 50 Hz

**Approximate Weight** (1833 Oven with Legs): Installed - 180 Lbs (81.8 kg), Shipping - 210 Lbs (95.5 kg)

**Dimensions:** Width: 51.2" (130.0 cm) - Oven with Shelves

Depth: 30.4" (77.2 cm)

Height: 20.0" (50.8 cm) - Single Oven with Legs

36.0" (91.4 cm) - Double Oven with Legs

**Recommended Minimum Clearances:**

Rear of Oven to Wall 0" (0 cm)

Conveyor Extensions to Wall 6" (15.2 cm)

---

### UM1850A-230V

**Rating/Connection:** 6,600 Watts (3 x 2,000W element assembly)  
Terminal block supplied (L1, L2, L3, N, Ground)

**Electrical Supply:** Separate service per oven - 15 Amp, 400/230 VAC, 3 phase, 50 Hz

**Approximate Weight** (1850 Oven with Legs): Installed - 210 Lbs (95.5 kg), Shipping - 240 Lbs (109.1 kg)

**Dimensions:** Width: 50.0" (127.0 cm)

Depth: 30.4" (77.2 cm)

Height: 20.0" (50.8 cm) - Single Oven with Legs

36.0" (91.4 cm) - Double Oven with Legs

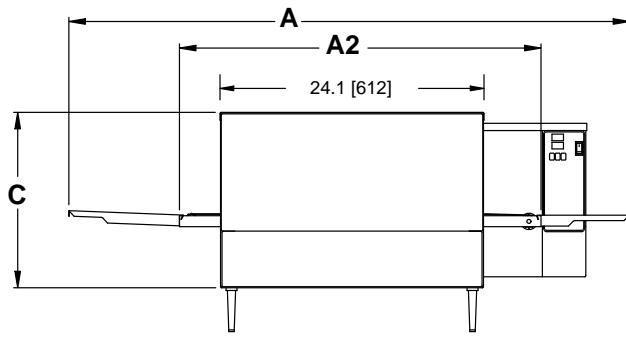
**Recommended Minimum Clearances:**

Rear of Oven to Wall 0" (0 cm)

Conveyor Extensions to Wall 6" (15.2 cm)

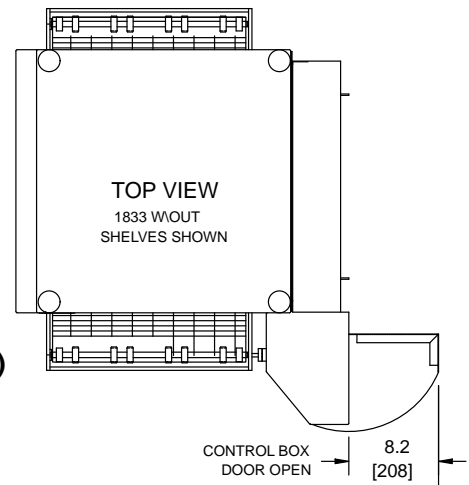
# SPECIFICATIONS

## UM1833 WITH INFEED/EXIT SHELVES

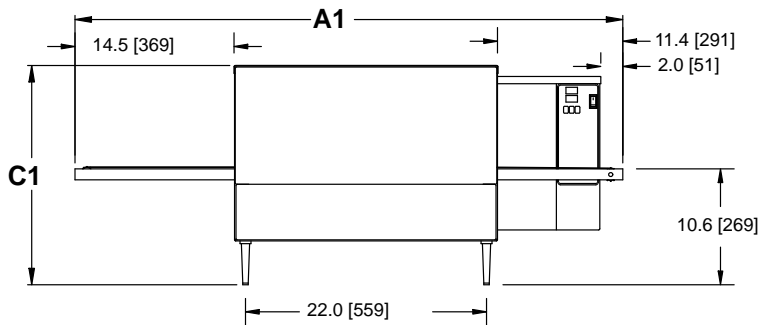


STACKED DIMENSION  
= C + C1

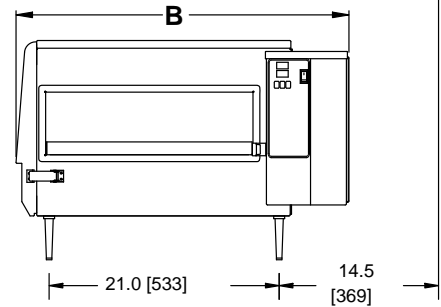
- A = 51.2 (1300)
- A1= 50.0 (1270)
- A2= 33.0 (838)
- B = 30.4 (772)
- C = 16.0 (406)
- C1= 20.0 (508)



## UM1850



FRONT VIEWS



END VIEW

## GENERAL INFORMATION

This equipment is designed and sold for commercial use only by personnel trained and experienced in its operation and is not sold for consumer use in and around the home nor for use directly by the general public in food service locations.

First and foremost, each crate should be examined before signing the Bill of Lading to report any visible damage by the trucker in transit and to account for the proper number of crates. If there is apparent damage, arrangements should be made to file a claim against the carrier. Interstate Commerce Regulations require that the claim must be initiated by the consignee. Proper and secure storage facilities should be arranged for the oven(s) if necessary to protect it from outdoor or damp conditions at all times before installation.

### **-IMPORTANT-**

**When you have all the crates unloaded, open the crates and remove all plastic covers. Inspect at once for concealed damage. If anything appears to be damaged, contact the appropriate persons immediately to file a damage claim. After completing this inspection, finish unpacking the oven. Be sure to remove all paper protection and packing material from the unit prior to heating.**



### **CAUTION**

**FOR YOUR SAFETY DO NOT STORE OR USE GASOLINE OR OTHER FLAMMABLE VAPORS AND LIQUIDS IN THE VICINITY OF THIS OR ANY OTHER APPLIANCE.**

**THIS APPLIANCE MUST BE INSTALLED BY QUALIFIED PERSONS AND INSTALLED IN ACCORDANCE WITH THE RULES IN FORCE WITHIN THE COUNTRY OF DESTINATION.**

### **INSTALLATION**

#### 208 V and 240 V models

The ovens are equipped for the voltage indicated on the nameplate mounted on the rear of the control box. They will operate on alternating current (AC) only. A cord is provided with a NEMA 6-50 plug. A matching receptacle with 50A supply must be provided.

#### 230 V models

The ovens are equipped for the voltage indicated on the nameplate mounted on the rear of the control box. They will operate on alternating current (AC) only. A cord bushing is supplied in the bottom of the control box. This allows the installer-supplied cord to be connected to the terminal block connections located behind the rear access door. The oven must be connected to power per all applicable codes. A means of disconnecting the oven from power should be supplied for safety and ease of maintenance.

The appliance must be positioned so the plug is accessible. A harmonized, 300/500V, oil-resistant, flexible cord with 65°C minimum ratings must be used. Choose appropriate conductors in relation to the length of the cord (1.0 square mm minimum) and operating conditions (e.g. temperature).

### **WARNING**

**DO NOT CONNECT TO DIRECT CURRENT (DC) POWER.**

**The installation of the electric oven should conform to the:**

**NATIONAL ELECTRIC CODE AND ALL LOCAL ELECTRIC CODES AND ORDINANCES AND THE LOCAL ELECTRIC COMPANY RULES AND REGULATIONS.**

### **PURCHASER'S RESPONSIBILITY**

It is the responsibility of the purchaser:

1. To see that the electric services for the oven are installed on site in accordance with the manufacturer's specifications.
2. To unload, uncrate, and install the oven in its proper location and in accordance with this installation operation manual.
3. To see that electric services are connected properly by a qualified installer of your choice. All such connections must be in accordance with applicable code requirements.
4. To arrange for inspection and operation check-out by an authorized service technician. **The warranty becomes effective upon verification of proper installation.**

## **IMPORTANT SAFETY INFORMATION**

Do not attempt to operate the oven until connection of utility service has been fully inspected by an authorized service technician or a Star Service Representative. This service is required by Star in order to assist the purchaser in proper start-up of the oven on site. Please note the specific details on the Warranty and make certain that service connections are made to proper utility services.

The warranty shall not apply if the oven is started up and operated prior to the utilities and oven being inspected and check-out made by an authorized service technician or a Star Service Representative.



### **CAUTION**

**IMPROPER INSTALLATION, ADJUSTMENT, ALTERATION, SERVICE, OR MAINTENANCE CAN CAUSE PROPERTY DAMAGE, INJURY, OR DEATH. READ ALL INSTRUCTIONS THOROUGHLY BEFORE INSTALLING OR SERVICING THIS EQUIPMENT.**



### **CAUTION**

**Minimum clearances must be maintained from all walls and combustible materials. Minimum clearances for this unit should be 0 inches from the rear (rear bumpers provided must be in place) and 6 inches from both sides. Keep the oven free and clear of all combustible material.**



### **CAUTION**

**Do not obstruct the ventilation holes in the control panels as these provide cooling air for the controls.**



### **WARNING**

The oven is to be operated only on the type of electricity shown on the specification plate.

## **INSTALLATION INFORMATION**

**THE INSTALLATION INSTRUCTIONS CONTAINED HEREIN ARE FOR THE USE OF QUALIFIED INSTALLATION AND SERVICE PERSONNEL ONLY. INSTALLATION OR SERVICE BY OTHER THAN QUALIFIED PERSONNEL MAY RESULT IN DAMAGE TO THE OVEN AND/OR INJURY TO THE OPERATOR.**

Qualified installation personnel are individuals, a firm, a corporation, or a company which either in person or through a representative are engaged in and responsible for:

1. The installation of electrical wiring from the electric meter, main control box, or service outlet to the electric appliance.

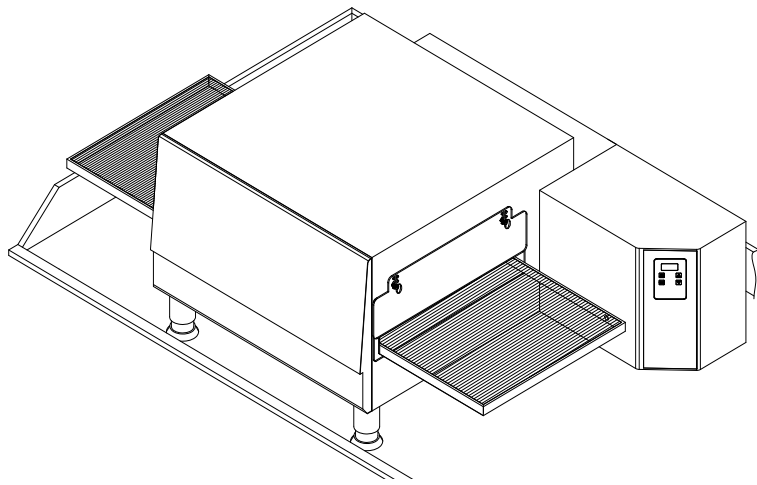
Qualified installation personnel must be experienced in such work, familiar with all precautions required, and have complied with all requirements of state or local authorities having jurisdiction.

## **LOCATION**

The well-planned and proper placement of your oven will result in long-term operator convenience and satisfactory performance.

It is essential that an adequate air supply to the oven be maintained to provide a sufficient flow of ventilation air. Follow these guidelines:

1. Place the oven in an area that is free of drafts.
2. Keep the oven area free and clear of all combustibles such as paper, cardboard, flammable liquids, and solvents.
3. Do not place the oven on a curb base or seal to a wall. This will restrict the flow of air and prevent proper ventilation to the blower motors. This condition must be corrected to prevent permanent damage to the oven.
4. On all models, tripping of the blower motor's thermal overload device indicates an excessive ambient temperature at the back of the oven. This condition must be corrected to avoid permanent damage to the oven.



This appliance must be installed on a sturdy counter or stand using the feet provided for cleaning clearance. As a minimum, 24" of clearance on the discharge end of the oven should be allowed for removal of the conveyor assembly if the oven is not on a mobile cart. Also allow room for a service technician to access the control box door and the fan motor cover over the rear of the oven if the oven is not movable.

### CAUTION



**Any surface the oven is mounted on should have a raised area around the perimeter to prevent the oven from accidentally sliding off the edge. Serious injury or death could occur if the oven falls on a person.**

### CAUTION



**Any cart that the oven is mounted on must be deep and wide enough to provide a stable platform. A cart with a narrow stance could allow the oven to tip over, causing property damage or serious harm to people.**

### VENTILATION

Local codes prevail. These are the "authority having jurisdiction" as stated by the National Fire Protection Association, Inc. in NFPA 96-Latest Edition. For further ventilation information see below.

A ventilation hood may be required to remove heat and cooking odors. The hood and HVAC installation must meet local codes to gain approval by the authority having jurisdiction. Requirements may vary throughout the country depending on the location by city, county, and state. Obtain information from the authority having jurisdiction to determine the requirements for your installation. Obtain information and review copies of codes or documents that will be used to inspect and approve your installation. Your ventilation hood supplier and HVAC contractor should be contacted to provide guidance.

### CAUTION



**Prevent airflow through the cooking tunnel. Air must NOT be directed onto the oven's front or rear or to the sides of the cooking area. This can cause incomplete or uneven baking and increased energy consumption.**

### ELECTRICAL CONNECTION

Before making any electrical connections to this unit, check that the power supply is adequate for the voltage, amperage, and phase requirements stated on the rating plate. A wiring diagram is included herewith.

When installed, this appliance must be electrically grounded and its installation must comply with the National Electric Code, ANSI-NFPA 70, latest version, manufacturer's installation instructions, and applicable local municipal building codes. In Canada, all electrical connections are to be in accordance with CSA C22.1 - Canadian Electrical Code Part 1 and/or local codes.

### WARNING

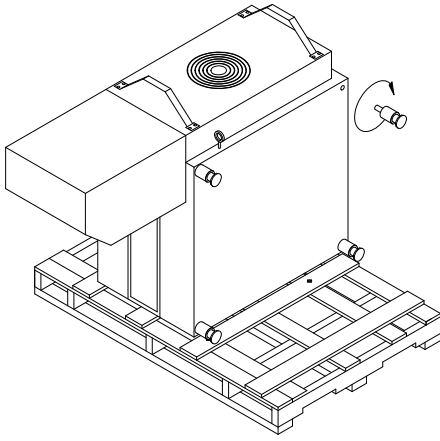


**208 V and 240 V**

**This appliance is equipped with a three-prong (grounding) plug for your protection against shock hazard and should be plugged directly into a properly grounded three-prong receptacle. Do not cut or remove the grounding prong from this plug.**

**230 V**

**This appliance is equipped with a five-pole terminal and cord bushing to which the customer/installer can attach. Each line (L1, L2, L3) should have 230 V potential referenced to the neutral (N) connection. An earth (ground) connection is also provided for a five-wire system.**

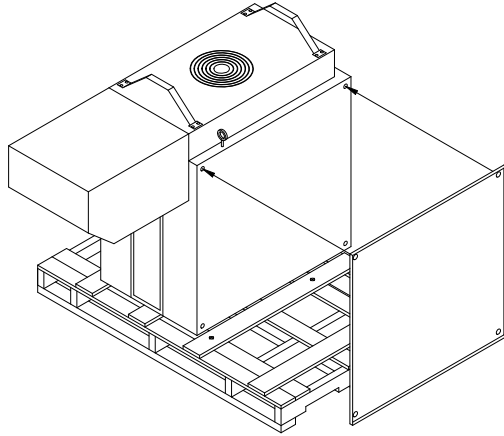


## STACKING INSTRUCTIONS

The following instructions should be followed when stacking more than one unit.

### Single Oven (or Bottom) Cart Install:

1. Remove door, conveyor, and finger assemblies.
2. Unbolt unit from shipping crate (2 bolts).
3. Turn unit on front as shown.
4. Thread the four legs into the bottom of the oven.
5. CAREFULLY lift oven upright.



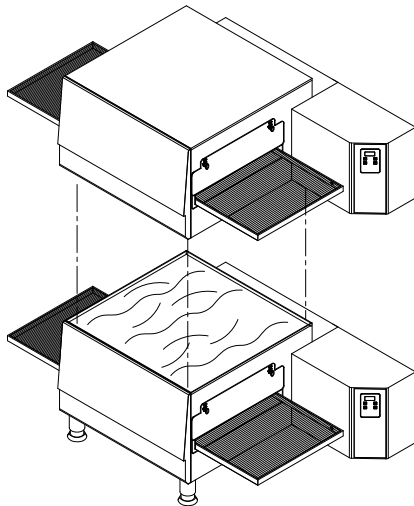
### Stacked Oven Install Preparation:

1. Remove door, conveyor, and finger assemblies.
2. Unbolt unit from shipping crate (2 bolts).
3. Turn unit on front as shown.
4. Remove top of lower oven (4 screws total, 2 each front and rear) and bolt to stacked oven base using 3/8 - 16 bolts.
5. Place top oven on lower unit and re-attach with screws for top of lower oven.

## OPERATING INSTRUCTIONS

DO NOT ATTEMPT TO OPERATE THE OVEN until connection of utility service and installation has been fully inspected (start-up check-out) by an authorized service technician or a Star Service Technician in order to assure the oven is properly installed and in working order.

**The warranty becomes effective upon verification of proper installation.**



## CAUTION



**DO NOT WORK AROUND THE CONVEYOR BELT WITH LONG HAIR, LOOSE CLOTHING, OR DANGLING JEWELRY. GETTING CAUGHT IN THE BELT COULD RESULT IN DISMEMBERMENT OR FATAL INJURY.**

Unless specified otherwise, conveyor travel is factory set for left to right operation when facing the front of the oven. If a direction change is required, refer to "DISPLAY INFORMATION," section 3 for instructions on how to program the controller for a direction change. In addition, the conveyor belt must be changed to travel in the new direction.

## SAFETY OPERATING INSTRUCTIONS

The information contained in this section is provided for the use of qualified operating personnel. Qualified operating personnel are those who have carefully read the information contained in this manual, are familiar with the functions of the oven and/or have had previous experience with the operation of the equipment described. Adherence to the procedures recommended herein will assure the achievement of optimum performance and long, trouble-free service.

Please take time to read the following safety operating instructions. They are the key to the successful operation of your Ultra-Max Conveyor Oven.



## SAFETY TIPS

For your safety, read before operating.

### If you smell gas:

1. **DO NOT** try to light any appliance.
2. **DO NOT** touch any electrical switches.
3. Use an exterior phone to call your gas supplier immediately.
4. If you cannot reach your gas supplier, call the fire department.

### In the event of a power failure:

1. Turn all switches off.
2. **DO NOT** attempt to operate the oven until the power is restored.

## General Safety Tips:

1. If the oven needs to be moved for any reason, the power must be disconnected from the unit before doing so.
2. **DO NOT** remove the control box cover unless the oven is unplugged.

## OPERATION

To turn the oven on:

1. Push the power switch to "ON."
2. After the fan begins to build pressure, the pressure switch will provide power to the control board to engage the heating element contactor. You should hear an initial "click" from the contactor as it begins to heat.

## To adjust the time and temperature:

1. Press the DOWN and UP arrows (▼▲) at the same time. Hold for four seconds until the TIME display goes blank.
2. Press the ENTER button (↵) to switch between TIME and TEMPERATURE.
3. Press the UP arrow (▲) to increase or the DOWN arrow (▼) to decrease the TIME or TEMPERATURE. Hold either button down for faster display changes.
4. After five seconds, the new numbers will be saved and the oven will display the new settings.

## SELECTING COOKING OPTIONS

1. Press & hold ▼ for 1/2 second.
2. Press ▼ repeatedly to choose your cooking option.
3. Press ↵ to accept or wait and setting will reset.

COOKING OPTION		
OPTION	TEMP	TIME
1	500°F/260°C	8:00
2	400°F/204°C	14:00
3	450°F/232°C	16:00
4	500°F/260°C	10:00
5	450°F/232°C	12:00
6	400°F/204°C	20:00

## To turn the oven off:

1. Push the power switch to "OFF." The oven is equipped with a cool-down feature for motor shaft and bearing protection. This enables the blower motor(s) to run regardless of the controller status. The blower(s) continue to run until the oven cools to a safe temperature.

ON / MARCHE

OFF / ARRÊTE

### SELECTING COOK OPTIONS:

1. PRESS & HOLD ▼ FOR 1/2 SECOND.
2. PRESS ▼ REPEATEDLY TO CHOOSE YOUR COOKING OPTION.
3. PRESS ↵ TO ACCEPT OR WAIT AND SETTINGS WILL RESET.

Comment sélectionner des options:

1. Appuyez maintenez ▼ pendant 1/2 seconde.
2. Appuyez sur ▼ à plusieurs reprises pour les options.
3. Appuyez sur ↵ pour accepter ou attendre réarmement automatique.

Consult the manual for instructions to change option settings.  
Consultez le manuel pour les instructions pour modifier les paramètres d' options.

IL3046

## DISPLAY INFORMATION

When operating the oven, there are three levels of access:

1. Store Level - General employees would know these functions and how to change them. While the oven is running, enter this mode by holding the DOWN and UP arrows (⬇️ ⬆️) simultaneously for four seconds. The TIME display goes blank and the TEMP setpoint is displayed. Adjust with the DOWN or UP arrows. The ENTER button (⏏️) toggles between TIME and TEMP. The parameter that can be adjusted is displayed, the other is blank. When TIME and TEMP are adjusted as needed, wait five seconds and SAVE is displayed. The values are accepted and the controller begins controlling to these new values. The conveyor continues to operate at the same speed until a new value is accepted. The temperature control output should be OFF during changes.
2. Manager Level - This is a lock so that TIME and TEMP cannot be changed even at the Store Level. While the oven is running, enter this mode by holding the DOWN and UP arrows simultaneously for 4 seconds. The TIME display goes blank and the TEMP setpoint is displayed. Release the UP arrow and continue to hold the DOWN arrow for an additional 4 seconds. The TEMP display shows LOC as the TIME display shows nO, which indicates that the TIME/TEMP parameters can be changed after reaching the STORE level. yES indicates that the parameters cannot be changed even after entering the STORE level. The LOC setting can be toggled using the ENTER button (⏏️).

## ADDITIONAL FUNCTIONS

The conveyor belt direction and the temperature display can be changed on the conveyor oven by a qualified technician. To change the belt direction, the technician must reverse the motor direction and rotate the conveyor belt for proper oven function. A technician can also change the temperature display from Fahrenheit to Celsius. These changes can be made by the technician during the start-up/check-out or at a later date.

## ERROR CODES

Error codes will display as flashing text messages for diagnostic purposes. Any temperature or thermocouple error should turn the temperature output OFF and leave the conveyor running at the same speed. The belt error should turn the temperature output OFF. The speed error should display when the motor is unable to settle at the chosen speed. This might occur if a fast speed is chosen that the motor is unable to spin fast enough to achieve. The speed signal output will remain the same but the display will flash the error message.

**OPEN**  
**PrOb**

CONTROLLER SENSES NO SIGNAL FROM THE THERMOCOUPLE

**PrOb**  
**Err**

CONTROLLER SENSES OVER-TEMPERATURE CONDITION OR OTHER PROBE ERROR

**nO**  
**HEAT**

CONTROLLER IS REQUESTING HEAT BUT TEMP HAS NOT RISEN

**bELt**  
**Err**

MOTOR IS STOPPED/JAMMED OR NO TACH SIGNAL IS BEING RECEIVED

**SPEd**  
**Err**

SPEED IS OUT OF RANGE BUT MOTOR IS FUNCTIONING

**EE**  
**FAIL**

ALERT MESSAGE: DISPLAYS WHEN MEMORY PROBLEMS ARE DETECTED

**SEt**  
**DEF**

TO RESET FACTORY DEFAULTS: POWER OFF, HOLD BUTTONS 2&3 POWER ON (DONE WHEN SET DEF SHOWS) INDIVIDUAL PARAMETERS ARE CHANGED THROUGH OTHER MENUS AS REQ'D

**SEt**  
**CAL**

TO SET CALIBRATION & RESET MEMORY: POWER OFF, HOLD BUTTONS 1,2&3 POWER ON (DONE WHEN SET CAL SHOWS) WARNING: TEMP CALIBRATION WILL BE OFF UNLESS T/C SIMULATOR (SET FOR 300°C) IS ATTACHED BEFORE TURNING POWER ON

**COLD**

DISPLAYS DURING INITIAL STAGE OF PREHEATING THE OVEN (WILL NOT DISPLAY A TEMP LOWER THAN 140°F)

## BAKE TIME VERSUS TEMPERATURE

1. Bake time is actually conveyor speed and is defined as the time the product is actually in the oven. This is measured by noting the time when the leading edge of the product enters the oven and the time the leading edge of the product leaves the oven. This is adjusted by using the conveyor speed controller.
2. Bake temperature is adjusted by changing the setpoint of the temperature controller to the desired bake temperature. When the oven reaches the desired temperature, the red dot in the lower right corner of the temperature display will turn off and on as the controller maintains the temperature.
3. When establishing a bake time and temperature for a given product, the general rule shall be as the bake time increases the bake temperature decreases and the reverse is also true; increase temperature, decrease time. However, there are limits to the above rule. Going to extremes will result in a burnt exterior and raw interior or it will result in a very light color but over-baked product.
4. Once a good bake has been established, the fine adjustments should be made by holding either the bake time or bake temperature constant, then varying the other.

## CONVEYOR SPEED

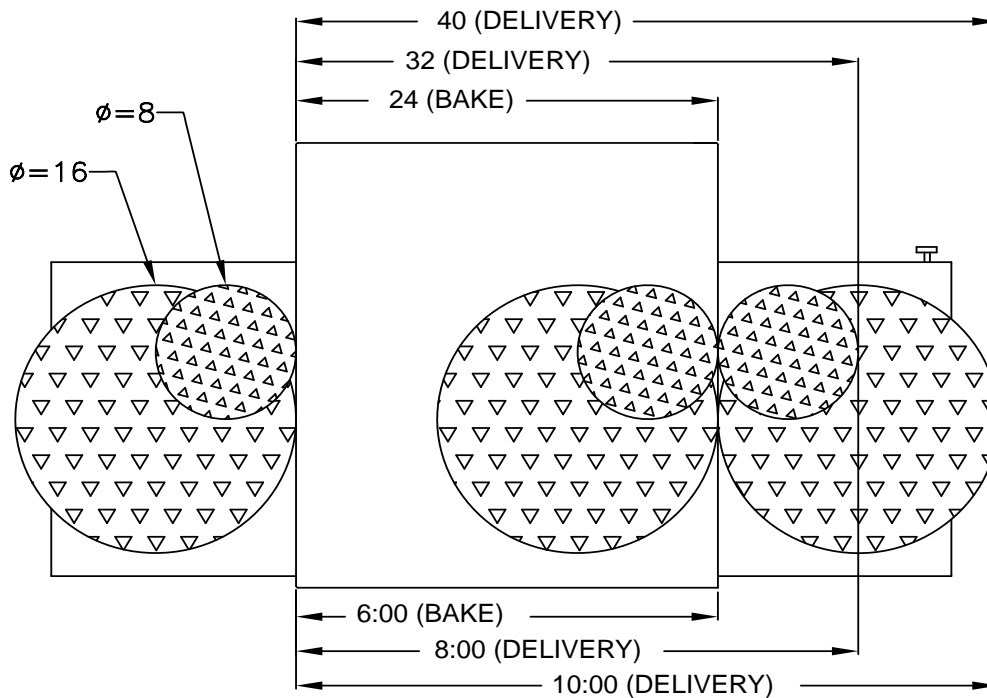
Bake Time (Conveyor Speed) - As stated previously, bake time (conveyor speed) is defined as the amount of time elapsed between the time the leading edge of the product enters the oven and the leading edge of the product exits the oven. Bake time is controlled by adjusting the digital speed controller. The setting on the control panel indicates the actual bake time.

**Bake time will be the same for any size product.**

## TIME OF DELIVERY

The time of delivery is the amount of elapsed time between the period when the leading edge of the product enters the oven and the trailing edge of the product is fully discharged and is ready to be delivered to the customer.

**Time of delivery changes if the product size changes.**



**Tip:** Train yourself not to pull the product out of the oven when the leading edge comes out. Always wait until the entire product has passed under the air nozzle holes - the product needs this time to fully bake.

## BAKE vs. DELIVERY TIME

**Time to Delivery** changes with product  
but **Bake Time** remains constant  
at a steady conveyor speed.

## CLEANING INSTRUCTIONS

Follow this recommended cleaning schedule for proper oven performance:



### CAUTION

**DISCONNECT THE POWER SUPPLY BEFORE SERVICING OR CLEANING THIS OVEN. SAFEGUARD THE POWER SO IT CANNOT BE ACCIDENTALLY RESTORED. FAILURE TO DO SO COULD RESULT IN DISMEMBERMENT, ELECTROCUTION, OR FATAL INJURY. THERE IS MORE THAN ONE POWER SUPPLY CONNECTION POINT WHEN OVENS ARE STACKED, SO MAKE SURE THAT ALL SWITCHES ARE IN THE OFF POSITION BEFORE CLEANING OR MAINTENANCE.**

No electrical components should be subjected to moisture. It is therefore important that the oven is wiped down carefully. **NEVER** throw buckets of water over the oven or subject it to pressure washing from a hose or a pressure spray. If water or other liquid is spilled on the oven, make sure that none of it has entered the control box area before switching the oven ON. If in doubt, call your service company.



### CAUTION

Adhere to the following warnings when cleaning or maintaining your conveyor oven:

1. The oven must be cool. Do not use power cleaning equipment, steel wool, or wire brushes on stainless steel surfaces.
2. Do not use a caustic or an alkaline base cleaner on the interior of the oven. This will ruin the aluminized finish of the oven interior.
3. When using cleaning solutions, be sure they meet local and national health standards.

### DAILY

1. Clean the conveyor belt using a nylon brush. Allow any foreign material to drop into the crumb pans.
2. Empty and clean the crumb pans. Use a hot water and detergent mix. Rinse with clean water.

### EVERY MONTH

1. Brush and clean the guard on the motor cooling fan.
2. Unplug the oven.
3. Remove the crumb pans.
4. Remove the conveyor assembly.
5. Unlatch and remove the front door. First remove all Baffles then Finger Assemblies. *See instructions next page.*
6. Clean the oven interior with an appropriate oven cleaner.
7. Clean the conveyor assembly, crumb pans, and other removable components. Wash in a hot water, detergent mix and rinse with clean water. For difficult cleaning areas, use a heavy-duty de-greaser or oven cleaner.
8. Move the oven and clean under it. Be careful not to damage the oven's electrical cord or plug when moving.
9. Reassemble the oven, being certain to include all Finger Assemblies and the Upper & Lower Baffles.

Be certain the Lower Baffle Flange is properly positioned behind the Rear Oven Wall, as well as the Upper Baffle is in position against the Upper Baffle Seat, as shown.

### EVERY TWELVE MONTHS

A factory authorized service person should:

1. Open and clean the inside of the control box.
2. Check and tighten all electrical components.

**If maintenance is required, contact your local service company, a factory representative, or Star Manufacturing.**

## Removing Finger Assemblies

1. Once cooled, REMOVE conveyor assembly and door.
2. Lift up and remove Upper & Lower Baffles as shown in Step 1.
3. Slide Finger Assembly out of unit as shown in Step 2.
4. Lift Assembly apart as shown in Step 3. and wash in a hot water, detergent mix and rinse with clean water. For difficult cleaning areas, use a heavy-duty de-greaser or oven cleaner.

## Reassemble Finger Assemblies

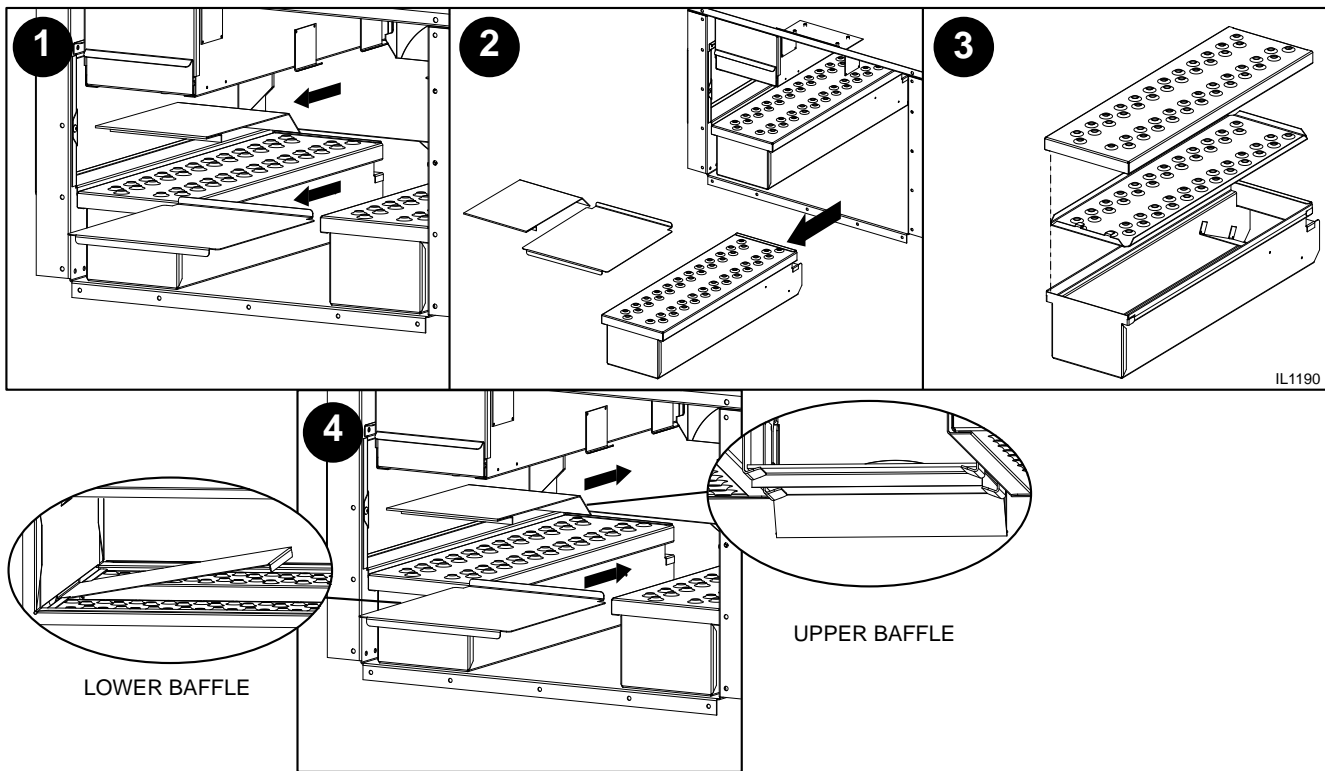
1. Reassemble finger assemblies and install in unit.
2. Properly install Baffles as shown in Step 4.



### CAUTION

BE CERTAIN THE LOWER Baffle IS PROPERLY INSTALLED BEHIND THE REAR PANEL SO NOT TO INTERFERE OR DAMAGE CONVEYOR ASSEMBLY.

3. Reinstall conveyor & door assembly, and test unit for proper operation.



Baffle & Finger Removal / Installation

## CONVEYOR BELT TENSION

The conveyor belt of the Ultra-Max Conveyor Oven does not have a tension adjustment. If the belt becomes too loose, a link will have to be removed to tighten. A belt that is too tight will also cause operational problems due to excessive drag. We suggest that you have a qualified service technician perform this adjustment.



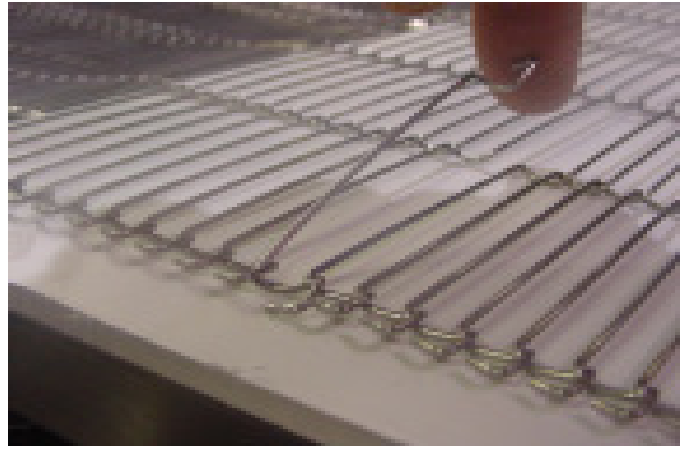
### CAUTION

Careful consideration should be exercised prior to removing a belt link because a belt that is too tight will impede the smooth operation of the conveyor.

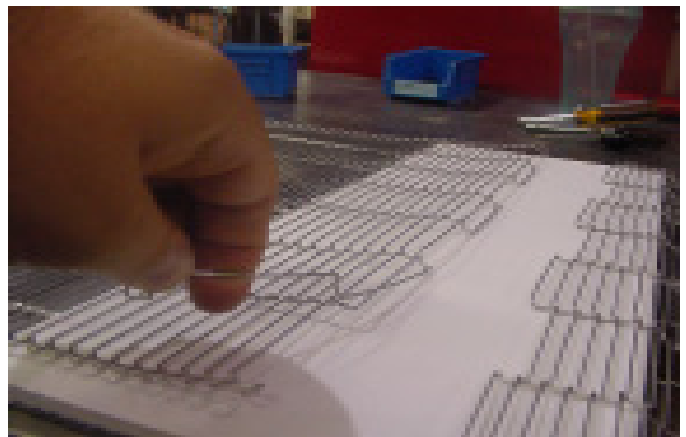
## CONVEYOR BELT LINK REMOVAL

An entire link can be removed with the conveyor assembly either in or out of the oven. This may be necessary as the belt stretches after continuous use. Following are the necessary steps for removing links:

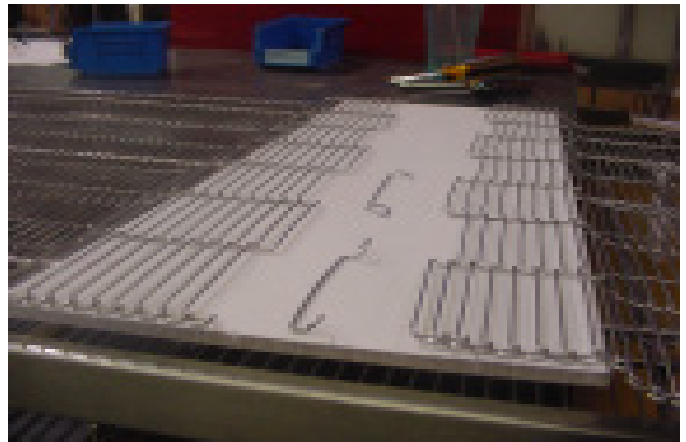
1. Move the splice clips to either end of the oven for easy access.
2. Unhook the splice clips using long nose pliers.
3. Unhook the full link to be removed and slide it out. Do not discard the link removed as it may be used for making spare splice clips.
4. Reconnect the inside splice clips.
5. Reconnect the outside splice clips.
6. Replace all parts removed from the oven.
7. Straighten any bent wires to ensure smooth sprocket engagement.



Remove the outside master links on the right and left sides of the conveyor belt. Remove the center splice clips next.

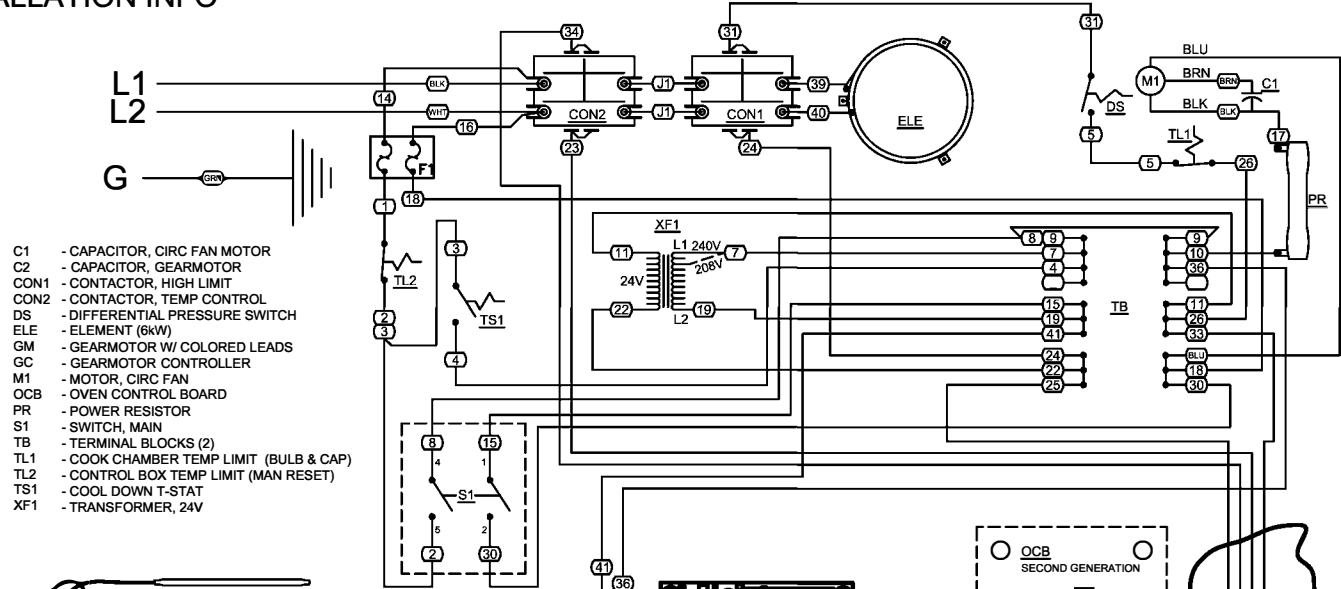


Unhook the end loop and pull up on the link section. Save this link as it may be used for making splice clips.

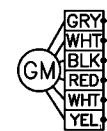
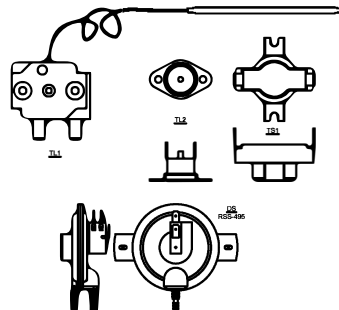


Check the orientation of the splice clips (the hooks should be up). The belt shown is the top section, ready for left-to-right travel.

**INCLUDE THIS PRINTED DIAGRAM  
W/ MANUAL & INSTALLATION INFO**



- C1 - CAPACITOR, CIRC FAN MOTOR
- C2 - CAPACITOR, GEARMOTOR
- CON1 - CONTACTOR, HIGH LIMIT
- CON2 - CONTACTOR, TEMP CONTROL
- DS - DIFFERENTIAL PRESSURE SWITCH
- ELE - ELEMENT (6kW)
- GM - GEARMOTOR W/ COLORED LEADS
- GC - GEARMOTOR CONTROLLER
- GM - MOTOR, CIRC FAN
- OCB - OVEN CONTROL BOARD
- PR - POWER RESISTOR
- S1 - SWITCH, MAIN
- TB - TERMINAL BLOCKS (2)
- TL1 - COOK CHAMBER TEMP LIMIT (BULB & CAP)
- TL2 - CONTROL BOX TEMP LIMIT (MAN RESET)
- TS1 - COOL DOWN T-STAT
- XF1 - TRANSFORMER, 24V

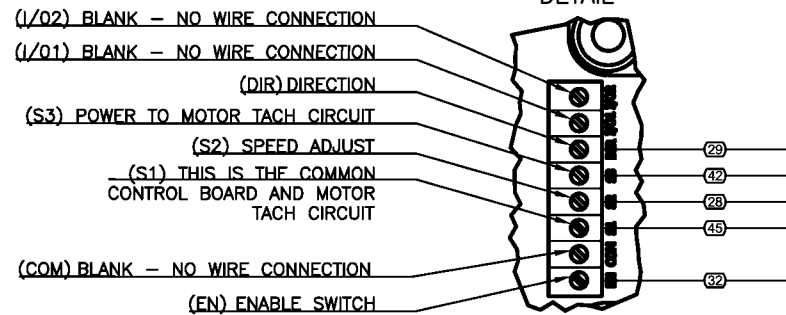


GRAY WIRE FROM MOTOR  
GOES TO "U" CONNECTOR  
ON BOARD

BLACK WIRE FROM MOTOR  
GOES TO "W" CONNECTOR  
ON BOARD

WHITE WIRE FROM MOTOR  
GOES TO "V" CONNECTOR  
ON BOARD

**GEARMOTOR  
CONTROLLER WIRING  
DETAIL**



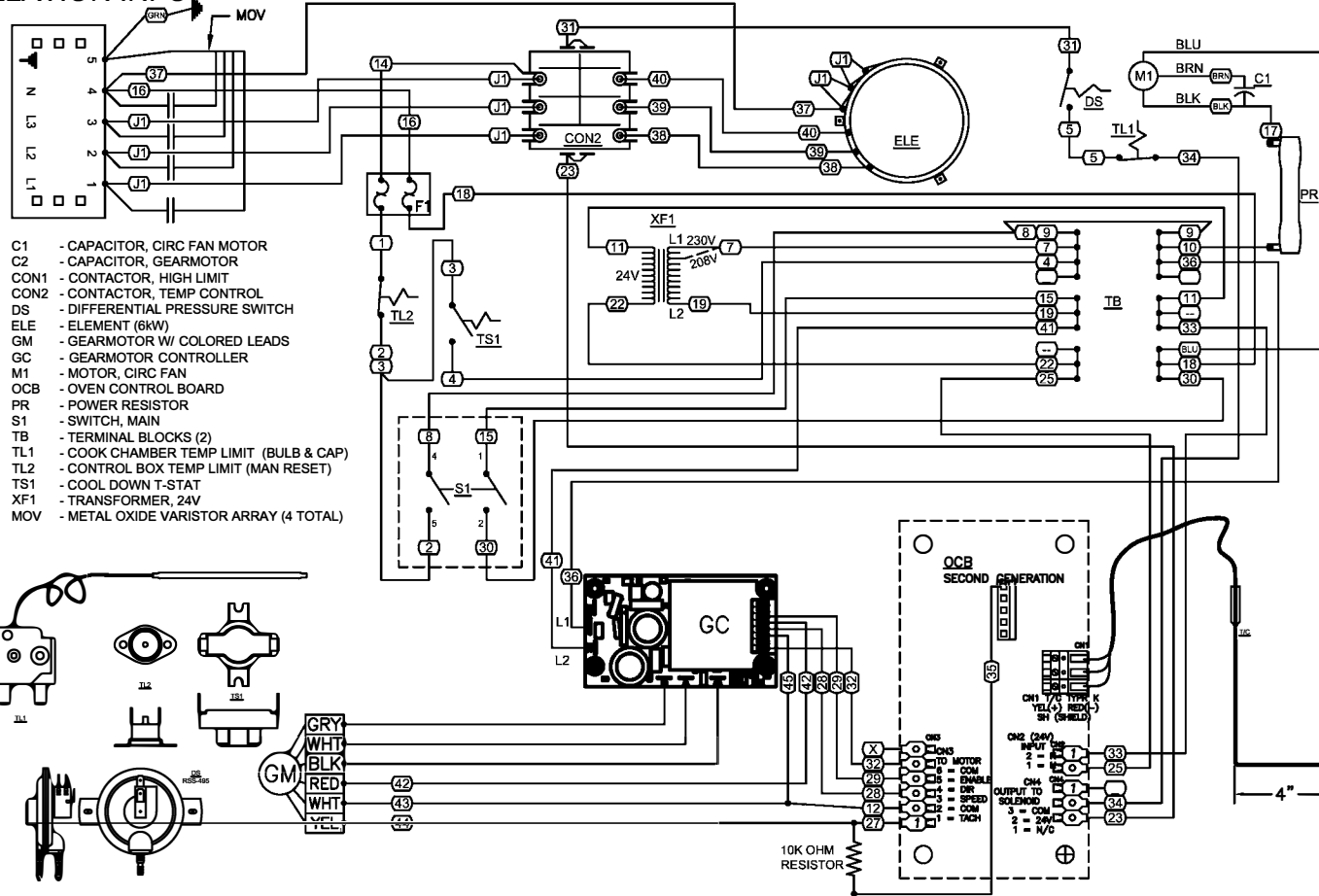
CUSTOMER RESPONSIBLE FOR FINAL  
INSTALLATION PER LOCAL CODES.  
DEDICATED 1Ø 50A CIRCUIT REQUIRED.  
NEMA 6-50 CORD SUPPLIED

**MODEL: UME 208-240/1Ø**

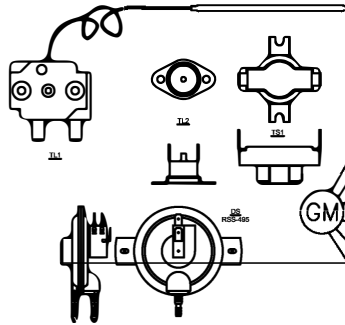
**STAR MANUFACTURING INTERNATIONAL, INC.**  
**2M-Z13287 REV B 1/31/2018 DR: JT**



INCLUDE THIS PRINTED DIAGRAM  
W/ MANUAL & INSTALLATION INFO



- C1 - CAPACITOR, CIRC FAN MOTOR
- C2 - CAPACITOR, GEARMOTOR
- CON1 - CONTACTOR, HIGH LIMIT
- CON2 - CONTACTOR, TEMP CONTROL
- DS - DIFFERENTIAL PRESSURE SWITCH
- ELE - ELEMENT (6kW)
- GM - GEARMOTOR W/ COLORED LEADS
- GC - GEARMOTOR CONTROLLER
- M1 - MOTOR, CIRC FAN
- OCB - OVEN CONTROL BOARD
- PR - POWER RESISTOR
- S1 - SWITCH, MAIN
- TB - TERMINAL BLOCKS (2)
- TL1 - COOK CHAMBER TEMP LIMIT (BULB & CAP)
- TL2 - CONTROL BOX TEMP LIMIT (MAN RESET)
- TS1 - COOL DOWN T-STAT
- XF1 - TRANSFORMER, 24V
- MOV - METAL OXIDE VARISTOR ARRAY (4 TOTAL)

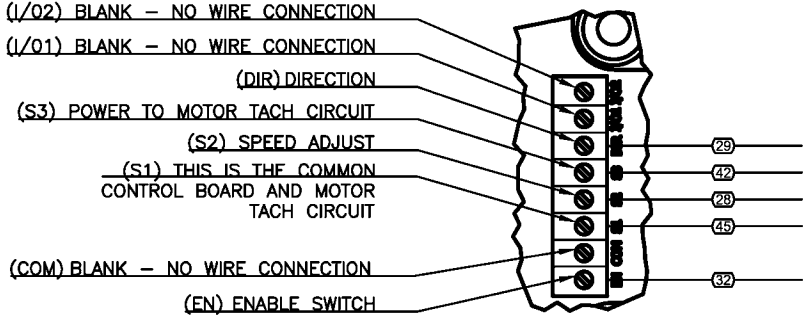


GRAY WIRE FROM MOTOR  
GOES TO "U" CONNECTOR  
ON BOARD

BLACK WIRE FROM MOTOR  
GOES TO "W" CONNECTOR  
ON BOARD

WHITE WIRE FROM MOTOR  
GOES TO "V" CONNECTOR  
ON BOARD

GEARMOTOR  
CONTROLLER WIRING  
DETAIL



CUSTOMER RESPONSIBLE FOR FINAL  
INSTALLATION PER LOCAL CODES.  
DEDICATED 3Ø 20A CIRCUIT REQUIRED.  
CORD OR CONDUIT CONNECTED AS  
ALLOWED/REQUIRED BY LOCAL CODE.

MODEL: UME 230/3Ø

STAR MANUFACTURING INTERNATIONAL, INC.  
2M-Z13288 rev B 01-31-2018 DR: JT





STAR MFG. INTERNATIONAL, INC.  
 #10 SUMNER DRIVE, ST. LOUIS, MO. 63143, USA

DR. RDL

CK

DATE 10/1/07

TOLERANCES UNLESS OTHERWISE NOTED  
 FRACTIONS ±1/64 DECIMALS ±.005 ANGLES ±1°

MATERIAL

SEE NOTES

FINISH

SEE NOTES

THIS DRAWING CONTAINS INFORMATION CONFIDENTIAL TO STAR MFG. INT'L, INC.  
 NO REPRODUCTION OR DISCLOSURE OF ITS CONTENTS IS PERMITTED.

MODEL NO.

UM OVEN

PART NO.

2M-Z13289

TITLE

DIAGRAM UME 3PHASE DELTA

REVISIONS

NO REVISIONS

LTR

DATE

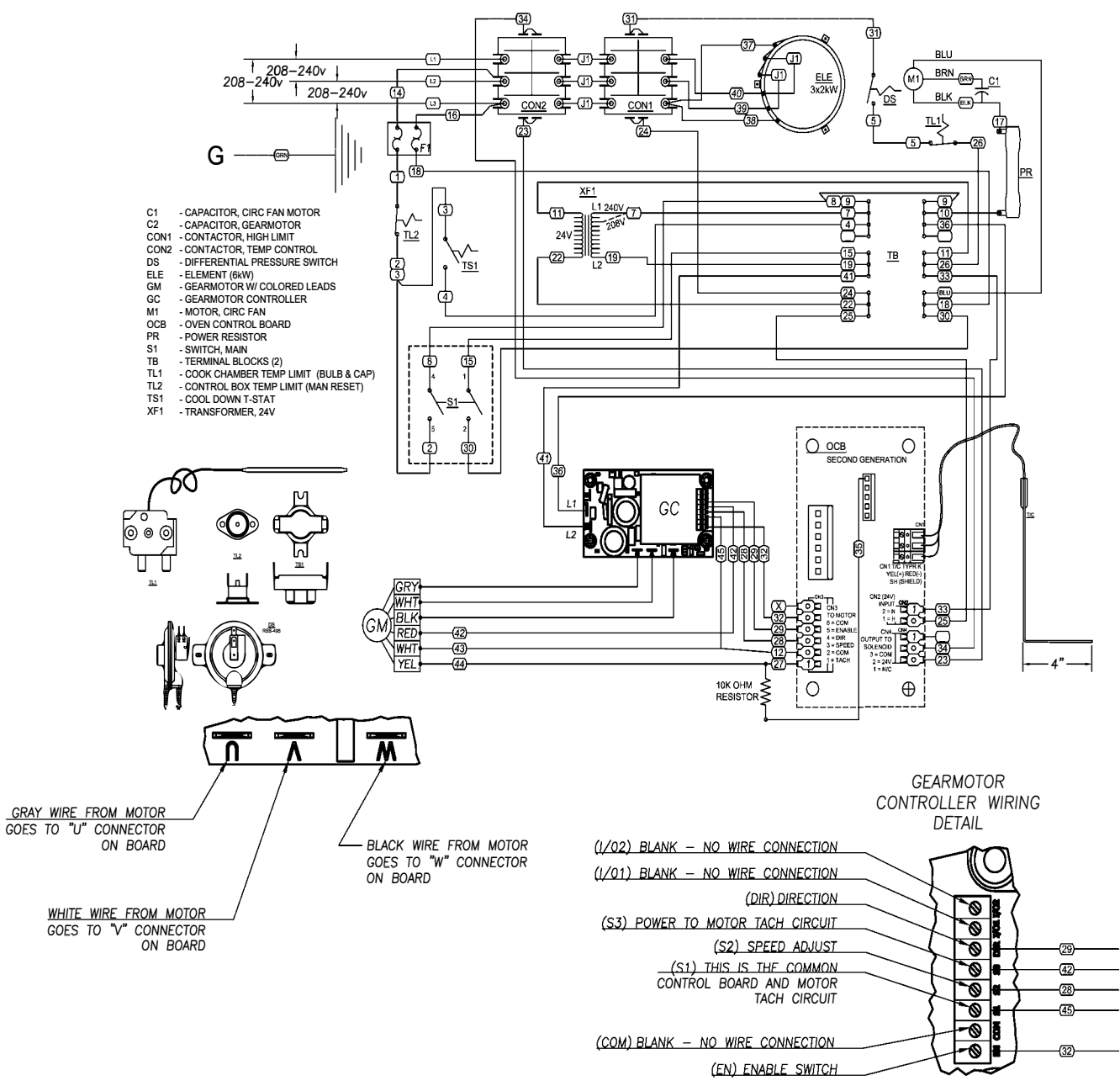
1-31-18

DESCRIPTION OF CHANGE

REVISED FOR NEW BROTHER SPEED CONTROL

DR

JT



**STAR** STAR MFG. INTERNATIONAL, INC.  
 #10 SUNNEN DRIVE, ST. LOUIS, MO. 63143, USA

MATERIAL ---  
 FINISH ---

MODEL NO. **UM-1833**  
 TITLE **WIRING DIAGRAM, 400/230**

PART NO. **SK-1987**

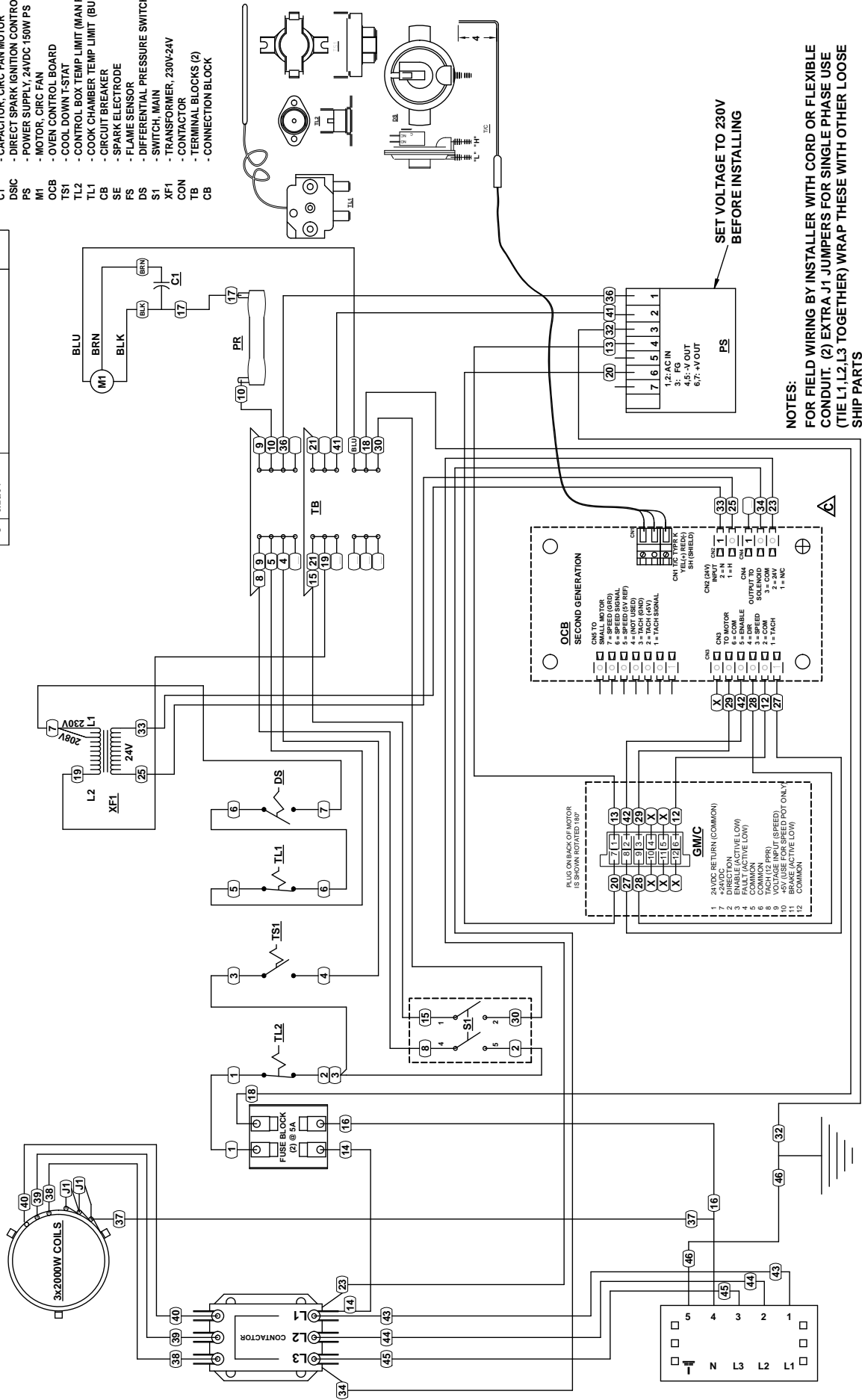
DR. RDL CK. BL DATE 04/30/03

TOLERANCES UNLESS OTHERWISE NOTED  
 FRACTIONS ±1/64 DECIMALS ±.005 ANGLES ±1°

REVISIONS	LTR	DATE	DESCRIPTION OF CHANGE	RDL
A	09/15/03		ADD 2ND GENERATION CONTROLLER	RDL
B	02/26/04		SHOW BEND IN T/C FOR NEW MOUNT	RDL
C	9/23/04		UPDATED OVEN CONTROL BOARD	CG

- GEARMOTOR & CONTROLLER
- CAPACITOR, CIRC FAN MOTOR
- DIRECT SPARK IGNITION CONTROLLER
- POWER SUPPLY, 24VDC 150W PS
- MOTOR, CIRC FAN
- OVEN CONTROL BOARD
- COOL DOWN T-STAT
- CONTROL BOX TEMP LIMIT (MAN RESET)
- COOK CHAMBER TEMP LIMIT (BULB & CAP)
- CIRCUIT BREAKER
- SPARK ELECTRODE
- FLAME SENSOR
- DIFFERENTIAL PRESSURE SWITCH
- SWITCH, MAIN
- TRANSFORMER, 230V-24V
- CONTACTOR
- TERMINAL BLOCKS (2)
- CONNECTION BLOCK

- GMC C1
- DSIC
- PS
- MT
- OCB
- TS1
- TL2
- TL1
- CB
- SE
- FS
- DS
- S1
- XF1
- CON
- TB
- CB

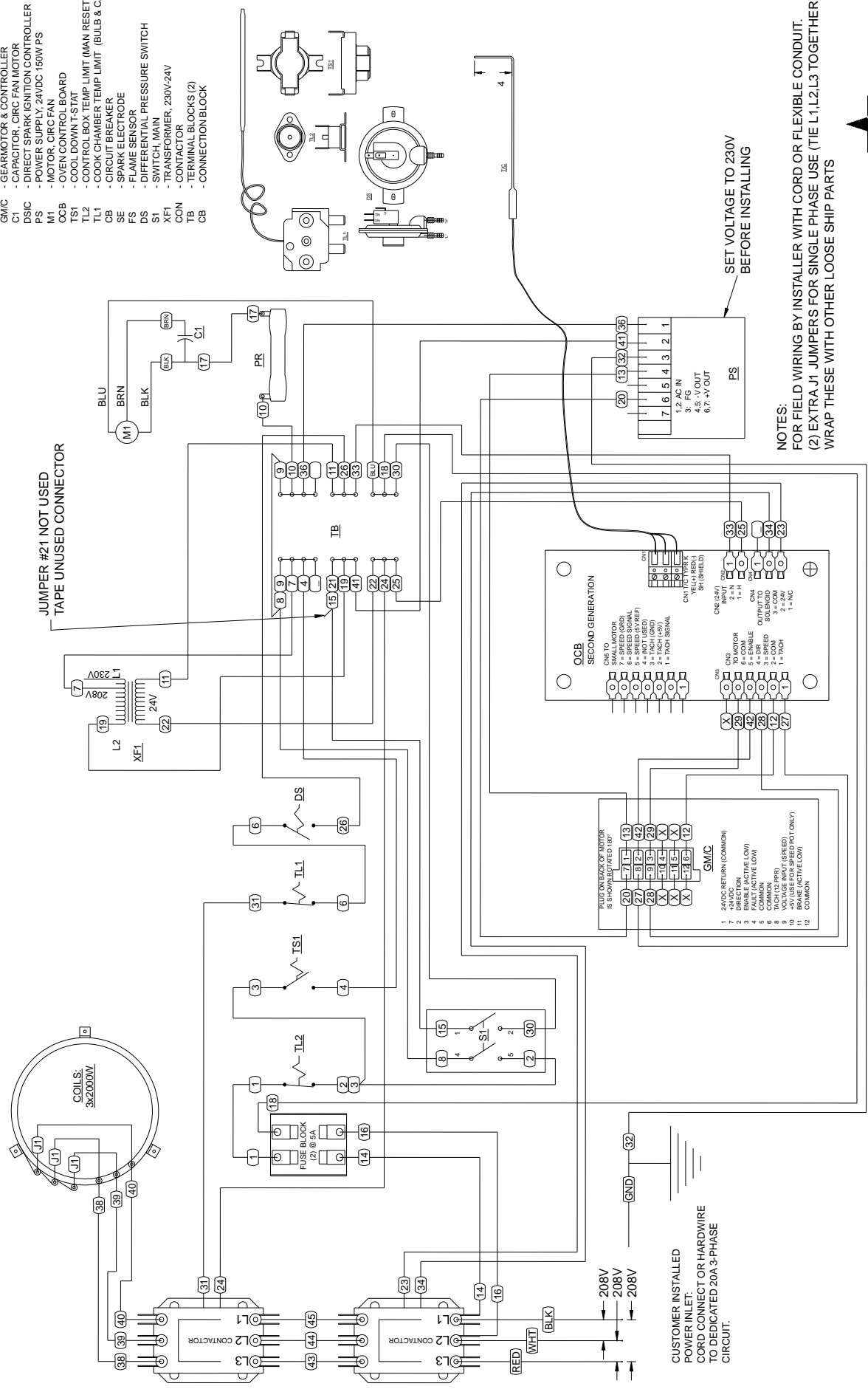


**NOTES:**  
 FOR FIELD WIRING BY INSTALLER WITH CORD OR FLEXIBLE CONDUIT. (2) EXTRA J1 JUMPERS FOR SINGLE PHASE USE (TIE L1, L2, L3 TOGETHER) WRAP THESE WITH OTHER LOOSE SHIP PARTS

SET VOLTAGE TO 230V BEFORE INSTALLING

- GEAR MOTOR & CONTROLLER
- CAPACITOR, CIRC FAN MOTOR
- DIRECT SPARK IGNITION CONTROLLER
- POWER SUPPLY, 24VDC 150W PS
- MOTOR, CIRC FAN
- OVEN CONTROL BOARD
- COOL DOWN T-STAT
- CONTROL BOX TEMP LIMIT (MAN RESET)
- COOK CHAMBER TEMP LIMIT (BULB & CAP)
- CIRCUIT BREAKER
- SPARK ELECTRODE
- FLAME SENSOR
- DIFFERENTIAL PRESSURE SWITCH
- SWITCH, MAIN
- TRANSFORMER, 230V-24V
- CONTACTOR
- TERMINAL BLOCKS (2)
- CONNECTION BLOCK

- GMC
- C1
- DSIC
- PS
- M1
- OCB
- TS1
- TL1
- CB
- SE
- FS
- DS
- S1
- XF1
- CON
- TB
- CB



JUMPER #21 NOT USED  
TAPE UNUSED CONNECTOR

SET VOLTAGE TO 230V  
BEFORE INSTALLING

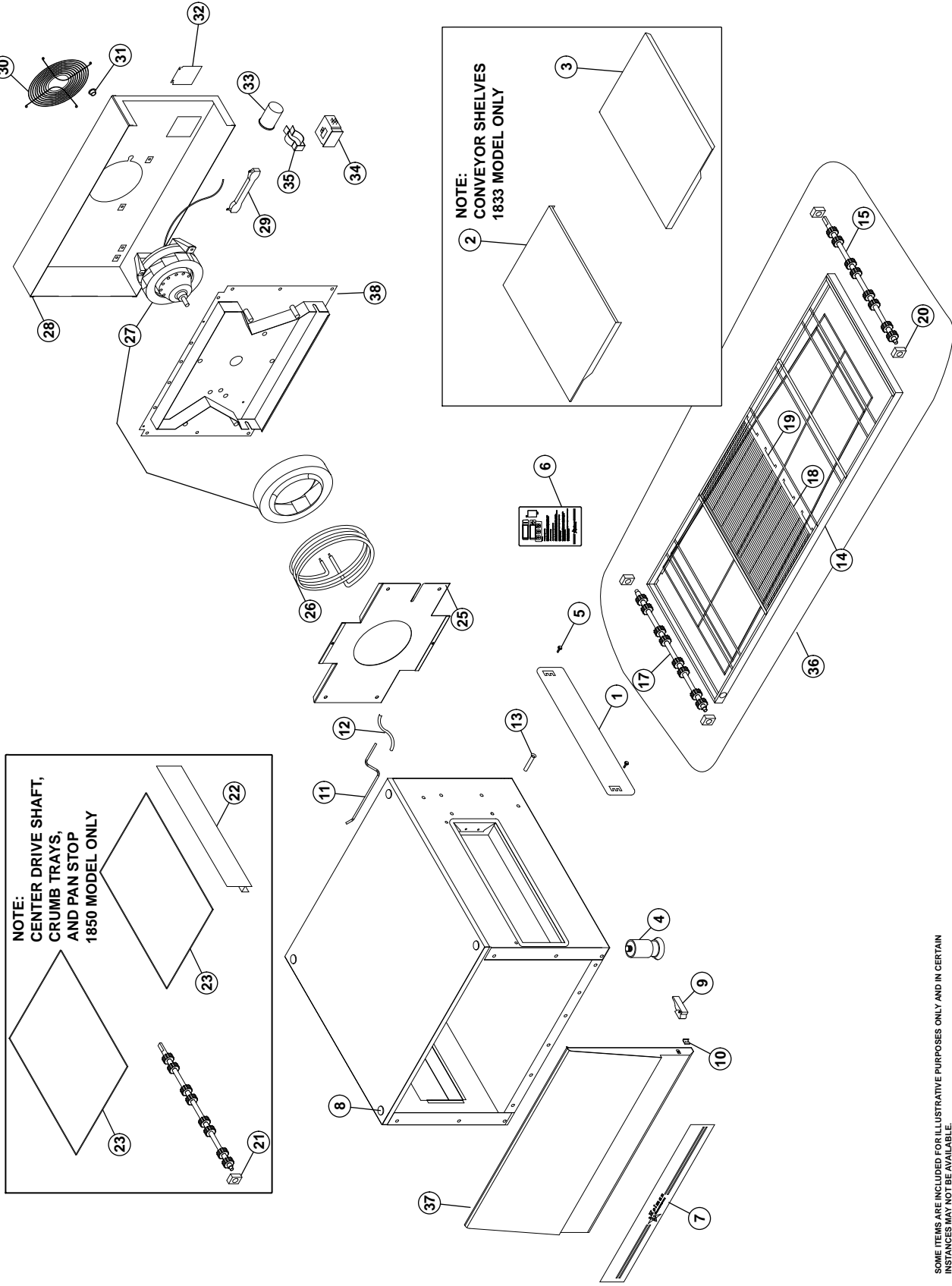
NOTES:  
FOR FIELD WIRING BY INSTALLER WITH CORD OR FLEXIBLE CONDUIT.  
(2) EXTRA J1 JUMPERS FOR SINGLE PHASE USE (TIE L1,L2,L3 TOGETHER)  
WRAP THESE WITH OTHER LOOSE SHIP PARTS

CUSTOMER INSTALLED  
POWER INLET:  
CORD CONNECT OR HARDWIRE  
TO DEDICATED 20A 3-PHASE  
CIRCUIT.

UM-1833 WIRING DIAGRAM, 3PH, 4-WIRE







**MAIN ASSEMBLY**  
**MODEL UM1833A / UM1850A**

SOME ITEMS ARE INCLUDED FOR ILLUSTRATIVE PURPOSES ONLY AND IN CERTAIN INSTANCES MAY NOT BE AVAILABLE.  
 THIS DRAWING CONTAINS INFORMATION CONFIDENTIAL TO STAR MANUFACTURING INTERNATIONAL, INC. NO REPRODUCTION OR DISCLOSURE OF ITS CONTENTS IS PERMITTED.

# PARTS LIST

March 26, 2013, Rev. E

Ultra-Max Electric Conveyor Oven  
 MODEL UM1833A/1850A-208/240V - Main Assembly

Key Number	Part Number	Number Per Unit	Description and Model Designation	
1	G9-Z5716	2	TUNNEL SHROUD	
2	G9-Z5745	1	INFEED SHELF	
3	G9-Z5362	1	EXIT SHELF	
4	2A-Z0314	4	ADJUSTABLE LEG	
5	2C-Z5182	4	THUMB SCREW	
6	2M-Z20166	1	CONTROL GRAPHIC	
7	2M-Z5665	1	FRONT GRAPHIC	
8	2P-Z4996	4	VENT PLUG	
9	2R-Z5174	2	LATCH	
10	2R-Z5188	2	LATCH KEEPER	
11	2V-Z6696	1	PRESSURE TUBE	
12	G9-Z5574	1	HOSE SECTION	
13	2V-Z5789	1	PROBE TUBE	
14	G9-EC0025	1	CONVEYOR FRAME	UM1833
	G9-EC0043	1	CONVEYOR FRAME	UM1850
15	2A-Z6538	1	DRIVESHAFT ASSEMBLY W/ SPROCKETS	
17	2A-Z5586	1/2	IDLER SHAFT(S) W/ SPROCKETS	UM1833 / UM1850
18	2B-Z5709	1	BELT - 6'	UM1833
	2B-Z5169	1	BELT - 10'	UM1850
	2B-Z6705	1	COATED BELT - 10'	UM1850
19	2B-Z5170	4	BELT SPLICE CLIP	
	2B-Z6706	4	COATED BELT CLIP	UM1850
20	2P-Z5168	4	BEARING	
21	2P-Z6368	2	BEARING - DRIVE	UM1850
22	G9-Z5281	1	PAN STOP	
23	G9-Z6193	2	CRUMB TRAY	
25	G9-EC0093	1	FAN BAFFLE ASSY QUAD NOZZ	
26	2N-Z5713	1	HEATING ELEMENT - 208V	208V 1 PH
	2N-Z5676	1	HEATING ELEMENT - 240V	240V
	2N-Z6603-208	1	ELEMENT, 6KW 3PH 208V	208V 3PH
	2N-Z6603	1	ELEMENT, 6KW 3PH 240V	UM1850-240V 3PH
27	PS-Z8750	1	HOT AIR BLOWER (Includes Capacitor)	
28	G9-EC0023	1	REAR COVER	
29	2E-Z5677	1	POWER RESISTOR, 75ohm	240V
	2E-Z6630	1	POWER RESISTOR, 50ohm	208V
NI	2E-Z5663	2	POWER RESISTOR BRACKETS	
30	2B-Z5607	1	REAR FAN GUARD (4-Mounting Holes)	
	2R-Z11567	1	REAR FAN GUARD (2-Mounting Holes)	
31	2K-Z2895	1	SPLIT BUSHING	
32	G9-Z5772	1	ACCESS DOOR	
33	2E-Z5711	1	MOTOR CAPACITOR, Service Only	
34	2E-Z5742	2	CONTACTOR, 40 AMP, 24VAC	1 Phase
	2E-Z6650	2	CONTACTOR, 3 POLE	208V 3 Phase
35	2C-Z5195	1	CONDUIT HANGER	
36	G9-EC0024	1	CONVEYOR ASSY COMPL, 33"	UM1833
	G9-EC0042	1	CONVEYOR ASSY COMPL, 50"	UM1850
37	G9-EC0039	1	DOOR ASSEMBLY	
38	G9-EC0087	1	REAR PANEL WELDMENT, QUAD	UM1833A, UM1850A

**IMPORTANT: WHEN ORDERING, SPECIFY VOLTAGE OR TYPE GAS DESIRED  
 INCLUDE MODEL AND SERIAL NUMBER**

PAGE 1  
 OF 1

Some items are included for illustrative purposes only and in certain instances may not be available.

# PARTS LIST

February 9, 2007, Rev B

Ultra-Max Electric Conveyor Oven

MODEL UM1833A/1850A-230V - Main Assembly

Key Number	Part Number	Number Per Unit	Description and Model Designation
1	G9-Z5716	2	TUNNEL SHROUD
2	G9-Z5745	1	INFEED SHELF
3	G9-Z5362	1	EXIT SHELF
4	2A-Z0314	4	ADJUSTABLE LEG
5	2C-Z5182	4	THUMB SCREW
6	2M-Z5747	1	CONTROL GRAPHIC
7	2M-Z5665	1	FRONT GRAPHIC
8	2P-Z4996	4	VENT PLUG
9	2R-Z5174	2	LATCH
10	2R-Z5188	2	LATCH KEEPER
11	2V-Z6696	1	PRESSURE TUBE
12	G9-Z5574	1	HOSE SECTION
13	2V-Z5789	1	PROBE TUBE
14	G9-EC0025	1	CONVEYOR FRAME UM1833
	G9-EC0043	1	CONVEYOR FRAME UM1850
15	2A-Z6538	1	DRIVESHAFT ASSEMBLY
17	2A-Z5586	1/2	IDLER SHAFT ASSEMBLY UM1833 / UM1850
18	2B-Z5709	1	BELT - 6' UM1833
	2B-Z5169	1	BELT - 10' UM1850
19	2B-Z5170	4	BELT SPLICE CLIP
20	2P-Z5168	4	BEARING
21	2P-Z6368	2	BEARING - DRIVE UM1850
22	G9-Z5281	1	PAN STOP
23	G9-Z6193	2	CRUMB TRAY
25	G9-EC0093	1	FAN BAFFLE ASSY
26	2N-Z6603	1	HEATING ELEMENT - THREE PHASE (220V)
	2N-Z7477	1	HEATING ELEMENT - THREE PHASE (240V)
27	2U-Z5710	1	HOT AIR BLOWER
28	G9-EC0063	1	REAR COVER
29	2E-Z6630	1	POWER RESISTOR, 50ohm 208/230V
	2E-Z5663	2	POWER RESISTOR BRACKETS
30	2B-Z5607	1	REAR FAN GUARD
31	2K-Z2895	1	SPLIT BUSHING
32	G9-Z5772	1	ACCESS DOOR
33	2E-Z5711	1	MOTOR CAPACITOR
34	2E-Z6650	1	CONTACTOR
35	2C-Z5195	1	CONDUIT HANGER
36	G9-EC0024	1	CONVEYOR ASSY COMPL, 33" UM1833
	G9-EC0042	1	CONVEYOR ASSY COMPL, 50" UM1850
37	G9-EC0039	1	DOOR ASSEMBLY
38	G9-EC0087	1	REAR PANEL WELDMENT, QUAD UM1833A, UM1850A

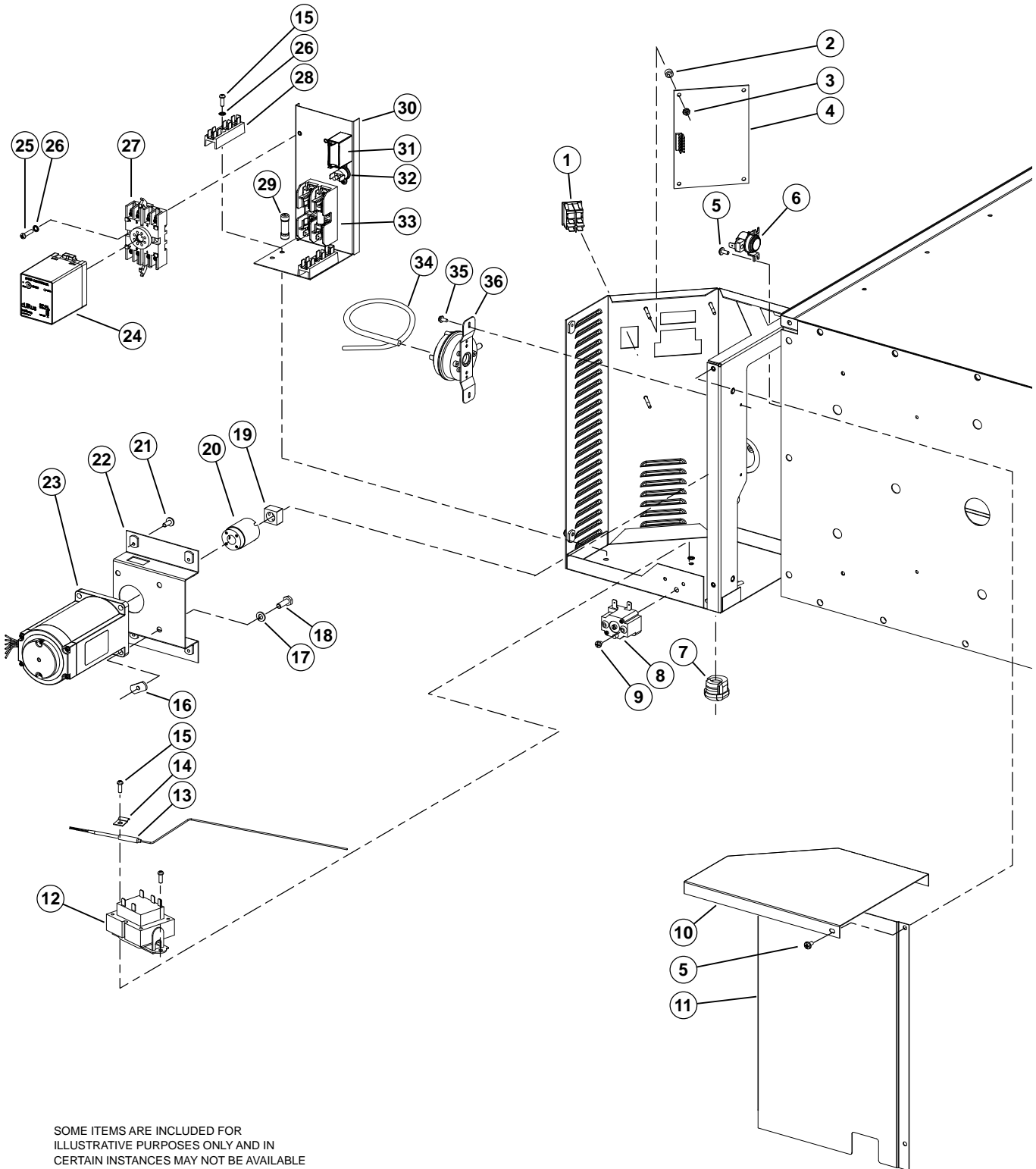
**IMPORTANT: WHEN ORDERING, SPECIFY VOLTAGE OR TYPE GAS DESIRED  
INCLUDE MODEL AND SERIAL NUMBER**

PAGE 1  
OF 1

Some items are included for illustrative purposes only and in certain instances may not be available.



**Star Manufacturing International, Inc.**



SOME ITEMS ARE INCLUDED FOR ILLUSTRATIVE PURPOSES ONLY AND IN CERTAIN INSTANCES MAY NOT BE AVAILABLE

**MODEL: UM1833A & UM1850A**  
**CONVEYOR OVEN CONTROL BOX**  
**AC MOTOR CONFIGURATION**

# PARTS LIST

September 16, 2015, Rev. F

Ultra-Max Electric Conveyor Oven  
 MODEL UM1833A/1850A-208/240V - Control Box , AC Motor

*Manufactured After 10/2010*

Key Number	Part Number	Number Per Unit	Description and Model Designation
1	2E-Z1858	1	SWITCH-LIGHTED
2	2K-Z1971	4	SPACER .257X.75X.25 NYLON
3	2C-200201	4	NUT 6-32 HEX LOCK SS
4	PS-Z7718	1	KIT,OVEN CNTRL-PRGM+REPLMNT
5	2C-200014	18	SCREW, 8-32 X 3/8 THP SS
6	2T-Z5175	1	THERMOSTAT, 160F UM1854
7	2K-3485	1	BUSHING HEYCO #SR-9
8	2T-Z5177	1	HIGH TEMP LIMIT UM1854
9	2C-Z0216	2	SCREW M4X5 PHP STL NP
10	G9-Z13296	1	CONTROL BOX LID
11	G9-Z13290	1	CONTROL BOX DOOR ASSY
12	2E-Z5741	1	TRANSFORMER, UM1833
13	2J-Z5189	1	THERMOCOUPLE ASSEMBLY
14	2C-Z3350	2	HALF CLAMP .188 D STL ZP
	2C-Z3350	4	HALF CLAMP .188 D STL ZP
15	2C-1494	11	SCREW 8-32X1/2 RHP STL NP
16	2C-200262	20	NUT WELD 1/4-20 SS
17	2C-Z5557	34	WASHER 1/4 SPLIT SS
18	2C-Z5555	40	BOLT 1/4-20 X .75 HEX SS
19	2A-Z8633	1	DRIVE COG
20	2A-Z6534	1	COUPLING, SPRING LOADED
21	2C-Z4063	4	SCREW 10-24X1/2 SS THP
22	G9-Z13295	1	GEARMOTOR MOUNT
23	G9-EC0135	1	GEAR MOTOR
24	2E-Z22343	1	SPEED CONTROL-GEAR MOTOR
25	2C-1496	2	SCREW 8-32X3/4 RHP STL NP
26	2C-H8670	13	WASHER, SS #8 INT
27	2E-Z22343	1	OCTAL SOCKET BASE
28	2E-Z4597	2	TERMINAL BLOCK 1/4 P.O.
29	2E-Z5680	2	FUSE, 5A - CLASS G
30	G9-EC0136	1	CONTROLS MOUNT
31	2E-Z8629-1	1	RUN CAPACITOR
32	2T-Z5176	1	THERMOSTAT, 140F UM1854
33	2E-Z5681	1	FUSEHOLDER, CLASS G
34	G9-Z5574	1	DRAFT TUBE HOSE UM-1854
35	2C-8823	2	SCREW #8-3/8 AB HEXW STL
36	2E-Z5683	1	SWITCH, DIFF. PRESS.
NI	2E-Z5742	2	CONTACTOR, 40 AMP, 24VAC
NI	2E-Z5798	1	CORD SET 208V, 50A CONTACTOR,
NI	2E-Z6650	2	3 POLE
NI	2M-Z13287	1	DIAGRAM UME 1PHASE DIAGRAM
NI	2M-Z13289	1	UME 3PHASE DELTA GRAPHIC,
NI	2M-Z20166	1	CONTROL LABEL

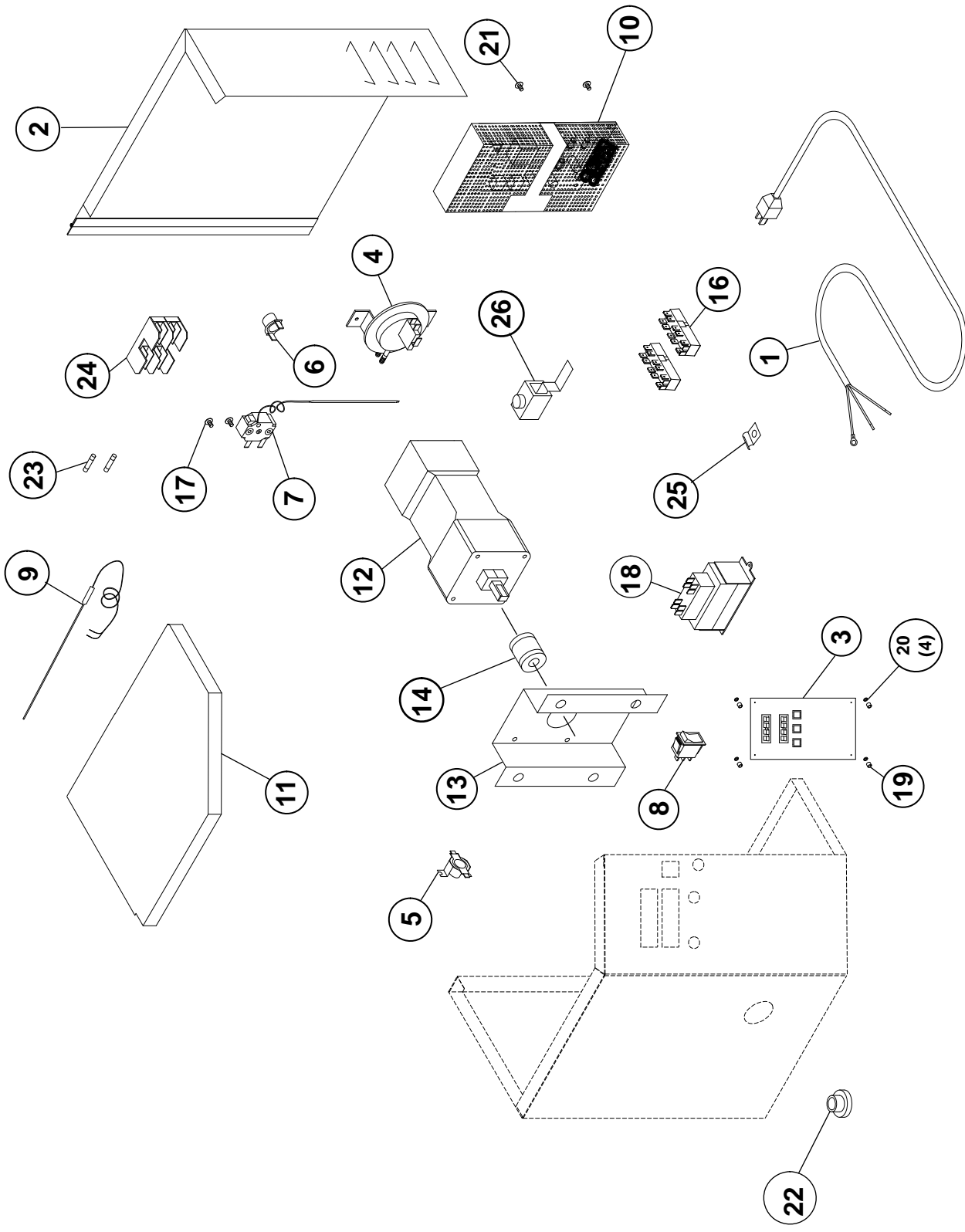
UM1833A208/3

UM1833A208/3

**IMPORTANT: WHEN ORDERING, SPECIFY VOLTAGE OR TYPE GAS DESIRED  
 INCLUDE MODEL AND SERIAL NUMBER**

PAGE 1  
 OF 1

Some items are included for illustrative purposes only and in certain instances may not be available.



**CONTROL BOX ASSEMBLY**  
**DC MOTOR**  
**MODEL UM1833**

SOME ITEMS ARE INCLUDED FOR ILLUSTRATIVE PURPOSES ONLY AND IN CERTAIN INSTANCES MAY NOT BE AVAILABLE.  
 THIS DRAWING CONTAINS INFORMATION CONFIDENTIAL TO STAR MANUFACTURING CORPORATION. NO REPRODUCTION OR DISCLOSURE OF ITS CONTENTS IS PERMITTED.

# PARTS LIST

March 26, 2013, Rev. E

Ultra-Max Electric Conveyor Oven  
 MODEL UM1833A/1850A-208/240V - Control Box , DC Motor

*Manufactured Before 10/2010*

Key Number	Part Number	Number Per Unit	Description
1	<a href="#">2E-Z5798</a>	1	CORD SET 208V, 50A <span style="float: right;">1 Phase</span>
2	G9-EC0014	1	CONTROL BOX DOOR ASSEMBLY
3	<a href="#">PS-Z7718</a>	1	CONTROLLER, TIME / TEMPERATURE
4	<a href="#">2E-Z5683</a>	1	VACUUM LIMIT SWITCH (Contact Service if replacing <a href="#">2E-Z5180</a> )
5	<a href="#">2T-Z5175</a>	1	THERMOSTAT, 120°F
6	<a href="#">2T-Z5176</a>	1	THERMOSTAT, 140°F
7	<a href="#">2T-Z5177</a>	1	HIGH TEMPERATURE LIMIT THERMOSTAT
8	<a href="#">2E-Z1858</a>	1	SWITCH - LIGHTED
9	<a href="#">2J-Z5189</a>	1	THERMOCOUPLE ASSEMBLY
10	<a href="#">G9-Z6610</a>	1	POWER SUPPLY, 24VDC-150W (230V INPUT)
11	G9-Z5738	1	LID, CONTROL BOX
12	2U-Z5171	1	GEARMOTOR
13	G9-Z5740	1	GEARMOTOR BRACKET
14	<a href="#">2A-Z6534</a>	1	COUPLING, SPRING LOADED
15	<a href="#">2B-Z5775</a>	2	FAN WIRE GUARD
16	<a href="#">2E-Z4597</a>	2	TERMINAL BLOCK
17	<a href="#">2C-Z0216</a>	2	SCREW M4 (METRIC)
18	<a href="#">2E-Z5741</a>	1	TRANSFORMER
19	<a href="#">2K-Z1971</a>	4	SPACER
20	<a href="#">2C-Z5427</a>	6	NYLON SPACER
21	2C-Z5797	2	SCREW M3 (METRIC)
22	<a href="#">2K-3485</a>	1	BUSHING - HEYCO
23	<a href="#">2E-Z5680</a>	2	FUSE
24	<a href="#">2E-Z5681</a>	1	FUSEHOLDER
25	<a href="#">2C-Z3350</a>	1	HALF CLAMP
26	<a href="#">2C-Y2344</a>	1	GROUND TERMINAL

**IMPORTANT: WHEN ORDERING, SPECIFY VOLTAGE OR TYPE GAS DESIRED  
 INCLUDE MODEL AND SERIAL NUMBER**

PAGE 1  
 OF 1

Some items are included for illustrative purposes only and in certain instances may not be available.

# PARTS LIST

February 9, 2007, Rev B

Ultra-Max Electric Conveyor Oven  
 MODEL [UM1833A/1850A-230V](#) - Control Box

Key Number	Part Number	Number Per Unit	Description
1	<a href="#">2E-Z6651</a>	1	TERMINAL BLOCK, INPUT
2	G9-EC0014	1	CONTROL BOX DOOR ASSEMBLY
3	G9-Z7283	1	CONTROLLER, TIME/TEMPERATURE
4	<a href="#">2E-Z5683</a>	1	VACUUM LIMIT SWITCH
5	<a href="#">2T-Z5175</a>	1	THERMOSTAT, 120F
6	<a href="#">2T-Z5176</a>	1	THERMOSTAT, 140F
7	<a href="#">2T-Z5177</a>	1	HIGH TEMPERATURE LIMIT THERMOSTAT
8	<a href="#">2E-Z1858</a>	1	SWITCH - LIGHTED
9	<a href="#">2J-Z5189</a>	1	THERMOCOUPLE ASSEMBLY
10	<a href="#">G9-Z6610</a>	1	POWER SUPPLY, 24VDC-150W (230V INPUT)
11	G9-Z5738	1	LID, CONTROL BOX
12	2U-Z5171	1	GEARMOTOR
13	G9-Z5740	1	GEARMOTOR BRACKET
14	<a href="#">2A-Z6534</a>	1	SPRING-LOADED COUPLING ASSEMBLY
15	2B-Z5775	2	FAN WIRE GUARD
16	<a href="#">2E-Z4597</a>	2	TERMINAL BLOCK
17	<a href="#">2C-Z0216</a>	2	SCREW M4 (METRIC)
18	<a href="#">2E-Z5741</a>	1	TRANSFORMER
19	<a href="#">2K-Z1971</a>	4	SPACER
21	2C-Z5797	2	SCREW M3 (METRIC)
22	<a href="#">2K-3485</a>	1	BUSHING - HEYCO
23	<a href="#">2E-Z5680</a>	2	FUSE
24	<a href="#">2E-Z5681</a>	1	FUSEHOLDER
25	<a href="#">2C-Z3350</a>	1	HALF CLAMP

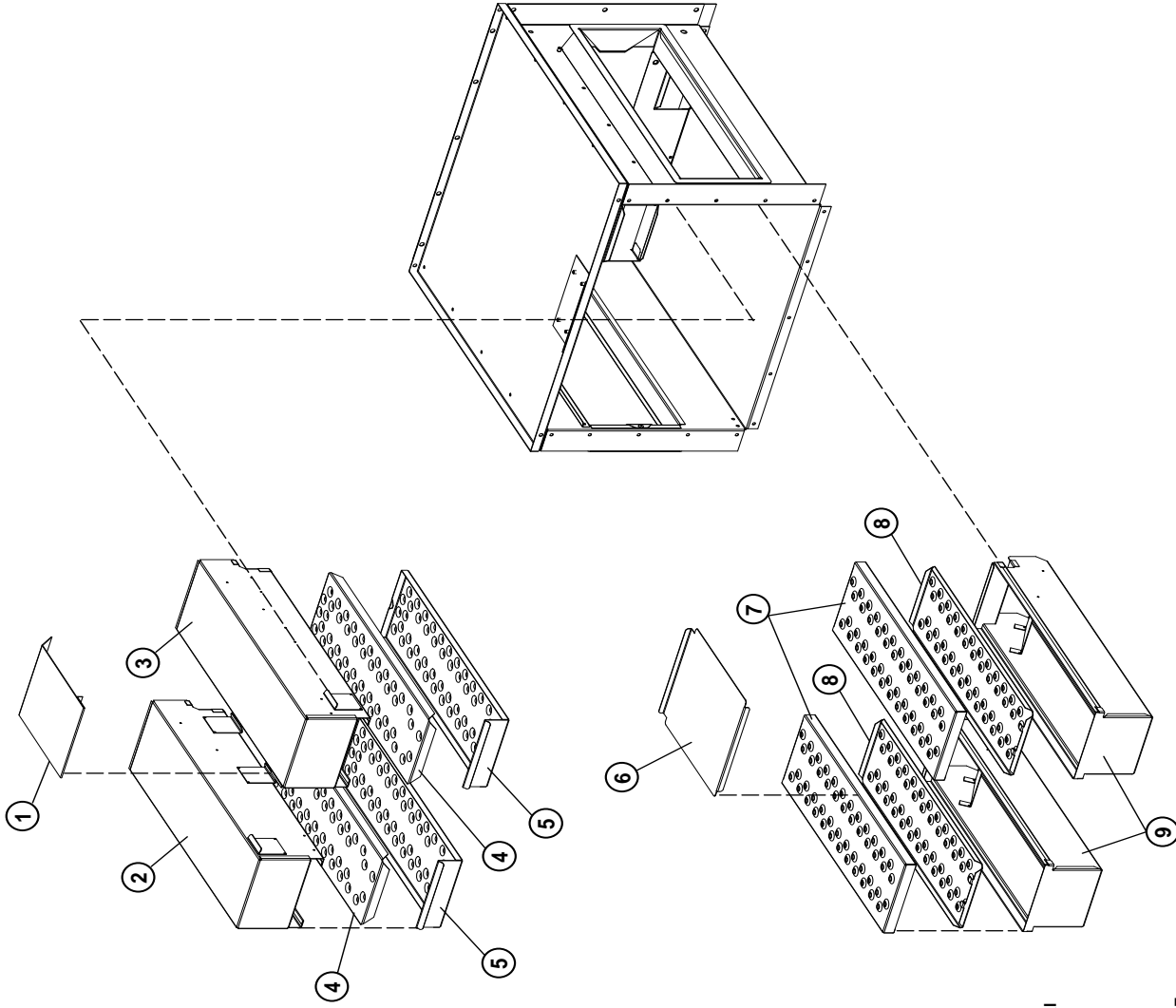
**IMPORTANT: WHEN ORDERING, SPECIFY VOLTAGE OR TYPE GAS DESIRED  
 INCLUDE MODEL AND SERIAL NUMBER**

PAGE 1  
 OF 1

Some items are included for illustrative purposes only and in certain instances may not be available.



**Star Manufacturing International, Inc.**



This drawing contains information confidential to Star Manufacturing International, Inc. No reproduction or disclosure of its contents is permitted.

SOME ITEMS ARE INCLUDED FOR ILLUSTRATIVE PURPOSES ONLY AND IN CERTAIN INSTANCES MAY NOT BE AVAILABLE

**MODEL:** UM1800 Series Quad Finger Assembly

SK2208 REV.- 6/14/06

# PARTS LIST

Ultra-Max Electric Conveyor Oven  
 MODEL UM1833A/1850A-208/240V - Finger Assembly

Key Number	Part Number	Number Per Unit	Description
1	<a href="#">G9-Z9196</a>	1	UPPER BAFFLE
2	<a href="#">G9-EC0084</a>	1	FINGER WELD, UPPER LEFT
3	<a href="#">G9-EC0085</a>	1	FINGER WELD, UPPER RIGHT
4	<a href="#">G9-Z9123</a>	2	TOP COLUMNATING PLATE - QUAD
5	<a href="#">G9-Z9121</a>	2	TOP NOZZLE - QUAD
6	<a href="#">G9-Z9197</a>	1	LOWER BAFFLE
7	<a href="#">G9-Z9122</a>	2	BOTTOM NOZZLE - QUAD
8	<a href="#">G9-Z9124</a>	2	BOTTOM COLUMNATING PLATE - QUAD
9	<a href="#">G9-EC0083</a>	2	FINGER WELD, LOWER - QUAD

**IMPORTANT: WHEN ORDERING, SPECIFY VOLTAGE OR TYPE GAS DESIRED  
 INCLUDE MODEL AND SERIAL NUMBER**

PAGE 1  
 OF 1

Some items are included for illustrative purposes only and in certain instances may not be available.

---

Ultra-Max Electric Conveyor Oven  
 MODEL UM1833A/1850A-230V - Finger Assembly

Key Number	Part Number	Number Per Unit	Description
1	<a href="#">G9-Z9196</a>	1	UPPER BAFFLE
2	<a href="#">G9-EC0084</a>	1	FINGER WELD, UPPER LEFT
3	<a href="#">G9-EC0085</a>	1	FINGER WELD, UPPER RIGHT
4	<a href="#">G9-Z9123</a>	2	TOP COLUMNATING PLATE - QUAD
5	<a href="#">G9-Z9121</a>	2	TOP NOZZLE - QUAD
6	<a href="#">G9-Z9197</a>	1	LOWER BAFFLE
7	<a href="#">G9-Z9122</a>	2	BOTTOM NOZZLE - QUAD
8	<a href="#">G9-Z9124</a>	2	BOTTOM COLUMNATING PLATE - QUAD
9	<a href="#">G9-EC0083</a>	2	FINGER WELD, LOWER - QUAD

**IMPORTANT: WHEN ORDERING, SPECIFY VOLTAGE OR TYPE GAS DESIRED  
 INCLUDE MODEL AND SERIAL NUMBER**

PAGE 1  
 OF 1

Some items are included for illustrative purposes only and in certain instances may not be available.



Star Manufacturing International, Inc.

## TENSION DE COURROIE DE CONVEYEUR

La bande de convoyeur du Ultra-Max Convoyeur Four n'a pas un ajustement de tension. Si la ceinture devient trop lâche, un lien devra être enlevé pour serrer. Une ceinture qui est volontairement trop serrée également pose des problèmes opérationnels dus à la drague excessive. Nous proposons que vous fassiez effectuer à un technicien qualifié de service cet ajustement.

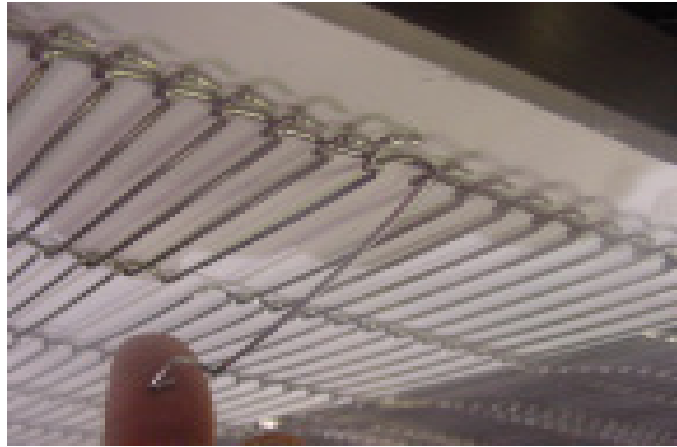


**ATTENTION**

**La considération soigneuse devrait être exercée avant d'enlever un lien de ceinture parce qu'une ceinture qui est volontairement trop serrée empêche l'opération du convoyeur.**

**DÉPLACEMENT D'UN BANDE DE CONVEYEUR**  
Un lien entier peut être enlevé avec le convoyeur dans ou hors du four. Ceci peut être nécessaire pendant que la ceinture s'étend après utilisation continue. Suivre les étapes nécessaires pour des liens d'enlèvement:

1. Déplacez les épissures attaches à n'importe quelle extrémité du four pour l'accès facile.
2. Décrochez les épissures attaches en utilisant de longues nez pinces.
3. Décrochez le plein lien à enlever et glissez-le dehors. Ne jetez pas le lien enlevé en tant que lui peut être employé pour faire des rechange épissures attaches.
4. Rebranchez les épissures attaches d'intérieur.
5. Rebranchez les épissures attaches d'extérieur.
6. Remplacez toutes les pièces enlevées du four.
7. Pour assurer l'enclenchement doux de pignon, rendez tous les fils égaux.



Enlevez les maillons de jonction extérieurs des côtés gauches et droits de la convoyeur bande. Enlevez les centrales épissures attaches après.



Décrochez la boucle extrémité et tirez vers le haut sur la section de lien. Economiser ce lien comme il peut être employé pour faire des épissures attaches.



Vérifiez l'orientation des épissures attaches (les crochets devraient être vers le haut). La ceinture montée est la section supérieure, préparant pour le voyage de gauche à droite.

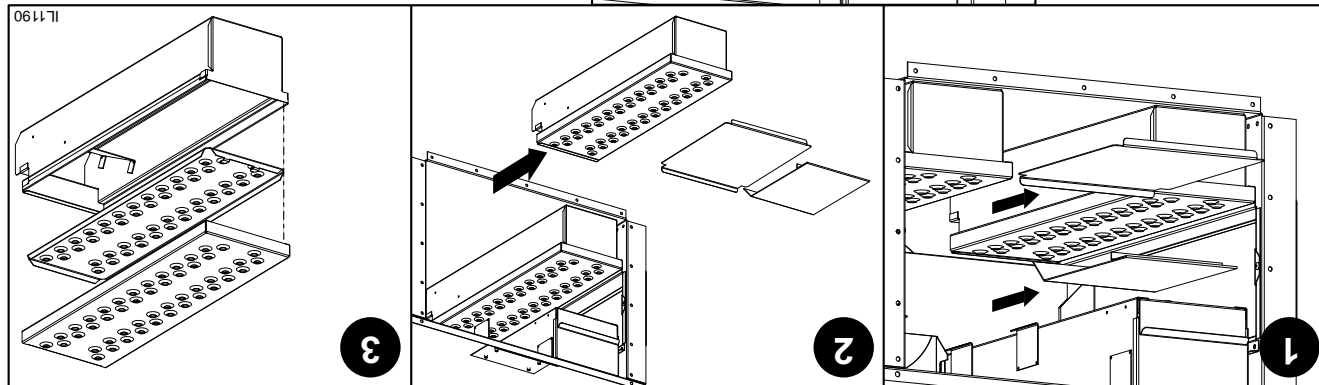
## MISE EN GARDE

ASSUREZ-VOUS QUE LE DÉFLECTEUR DU BAS EST MONTÉ CORRECTEMENT DERRIÈRE LE PANNÉAU ARRIÈRE POUR ÉVITER LE DOMMAGE AU CONVOYEUR.

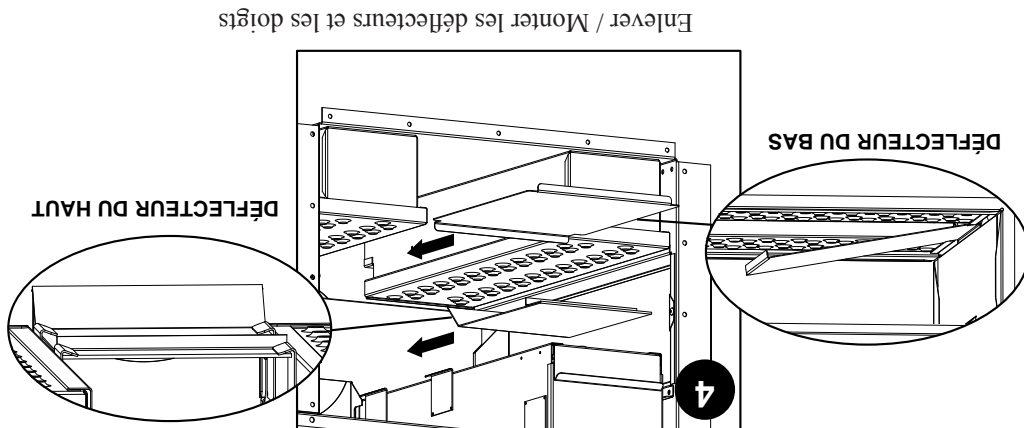


### Assembler les ensembles de doigt

1. Assemblez les ensembles de doigt et installez dans l'appareil.
  2. Montez correctement les déflecteurs comme le démontre en étape 4.
1. Une fois refroidi, ENLEVEZ le convoyeur et la porte.
2. Soulevez et enlevez les déflecteurs du haut et du bas comme le démontre en étape 1.
  3. Glissez l'ensemble de doigt hors de l'appareil comme le démontre en étape 2.
  4. Soulevez l'ensemble comme le démontre en étape 3 et lavez dans un mélange de l'eau chaude et du détergent et rincez avec de l'eau propre. Pour les endroits très sales, employez un dégraissant fort ou un nettoyant four.



3. Remontez le convoyeur et la porte et essayez l'appareil.



Enlever / Monter les déflecteurs et les doigts

## INSTRUCTIONS D'ENTRETIEN

Suivez ces recommandations pour nettoyer et maintenir votre four.



### ATTENTION

**DÉBRANCHEZ LA PUISSANCE AVANT D'ENTREtenir OU NETTOYER LE FOUR. SAUVEGARDEZ LA PUISSANCE AINSI ELLE NE PEUT PAS ÊTRE ACCIDENTELLEMENT RECONSTITUÉE. LE DÉMEMBREMENT, L'ÉLECTROCUTION, OU LA MORT PEUVENT SE PRODUIRE SI VOUS NE COUPEZ PAS LE COURANT. QUAND DES FOURS SONT EMPILÉS IL Y A LES RACCORDEMENTS DE PUISSANCE MULTIPLES, AINSI ARRÊTEZ TOUS LES FOURS AVANT LE NETTOYAGE OU L'ENTRETIEN.**

Aucun composant électrique ne devrait être soumis à l'humidité. Il est donc important que le four soit essuyé soigneusement. Ne jetez jamais les seaux d'eau au-dessus le four ou jetez de l'eau sous pression d'un boyau d'arrosage ou d'un lavuse à pression. Si on renverse de l'eau ou d'autre liquide sur le four, assurez-vous qu'aucune n'est entrée dans la boîte de commande avant de brancher le four. En cas de doute, appelez votre compagnie de service.

### ATTENTION

Adhères aux avertissements suivants en nettoyant ou en maintenant votre four:



1. Le four doit être refroidi. N'employez pas l'équipement de nettoyage de puissance, les laines en acier, ou les brosses métalliques sur des surfaces d'acier inoxydable.
2. N'employez pas de nettoyant caustique alcalin dans l'intérieur du four. Ceci ruinerait la couche aluminisée de l'intérieur du four.
3. En utilisant des solutions de nettoyage, soyez sûr qu'elles répondent à des normes locales et nationales de santé.

## CHAQUE JOUR

1. Nettoyez la bande de convoyeur en utilisant une brosse en nylon. Permettez à n'importe quel matériel étranger de se laisser tomber dans les plateaux à miettes.
2. Nettoyez les plateaux à miettes. Employez un mélange de l'eau chaude et du détergent. Rincez avec de l'eau propre.

## CHAQUE MOIS

1. Brossez et nettoyez la garde sur le ventilateur de moteur.
2. Débranchez le four.
3. Enlevez les plateaux à miettes.
4. Enlevez le convoyeur.
5. Déclenchez et enlevez la porte avant. D'abord, enlevez tous les déflecteurs et les ensembles de doigt. Voir les instructions à la page suivante.
6. Nettoyez l'intérieur de four avec un nettoyant four approprié.
7. Nettoyez le convoyeur, les plateaux à miettes, et d'autres composants démontables. Lavez dans un mélange de l'eau chaude et du détergent et rincez avec de l'eau propre. Pour des zones difficiles à nettoyer, employez un dégraisseur fort ou un nettoyant four.
8. Déplacez le four et nettoyez au-dessous l'appareil. Assurez-vous de ne pas endommager le cordon ou les connecteurs électriques.
9. Rassemblez le four, assurez-vous d'inclure tous les ensembles de doigt et les déflecteurs du bas et du haut. Assurez-vous de mettre en position la collerette du déflecteur du bas correctement derrière le panneau arrière du four et mettre en position le déflecteur du haut contre le siège du déflecteur du haut, comme le démontre.

## TOUS LES DOUZE MOIS

Une personne de service autorisée par usine devrait faire ce qui suit:

1. Ouvrez et nettoyez l'intérieur de la boîte de commande.
2. Vérifiez et serrez tous les composants électriques.

Si l'entretien est exigé, entrez en contact avec votre compagnie de service locale, un représentant d'usine, ou Star Manufacturing. 11

## TEMPS DE CUISINIER CONTRE LA TEMPÉRATURE DE CUISINIER

1. Le temps de cuisinier est réellement vitesse de convoyeur et est défini car le temps le produit est réellement dans le four. Ceci est mesuré en notant le moment où le principal bord du produit entre dans le four et le temps le principal bord du produit part du four. Ceci est ajusté en employant le contrôleur de vitesse de convoyeur.

2. La température est ajustée en changeant le setpoint du contrôleur de température en désiré font la température au four cuire. Quand le four atteint la température désirée, le point rouge dans le bon coin inférieur de l'affichage de la température s'allumera au loin et comme le contrôleur maintient la température.

3. En établissant un temps de cuisinier et une température pour un produit, la règle générale est que quand le temps de cuisinier augmente la température diminue. L'inverse est également vrai: Augmentez la température, diminuez le temps. Cependant, il y a des limites à la règle ci-dessus. La trop de chaleur ou temps peut avoir comme conséquence un produit brûlé.

4. Une fois un bon cuisinier a été établi, les ajustements fins devrait être fait en jugeant le temps de cuisinier ou la constante de la température de cuisinier, changeant alors l'autre.

## VITESSE DE CONVOYEUR

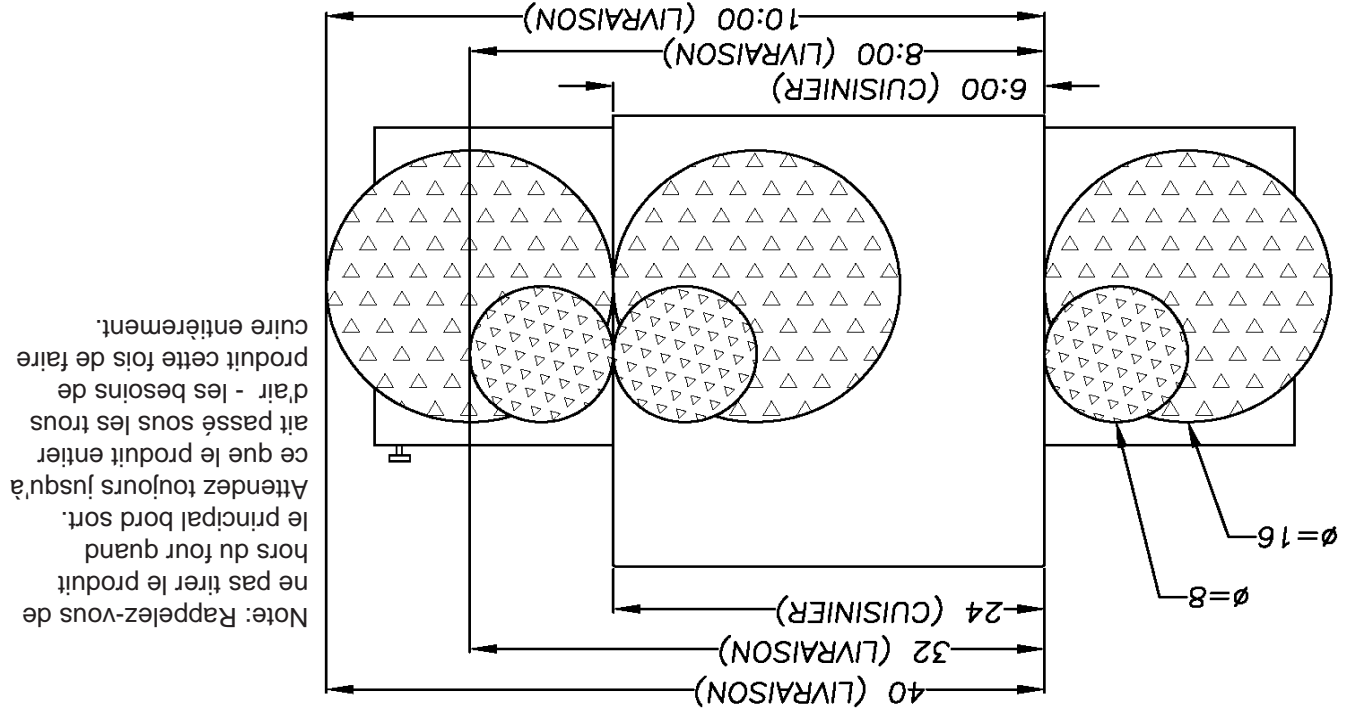
Temps de Cuisinier (Vitesse De Convoyeur) - Comme indiqué précédemment, le cuisinier que le temps (vitesse de convoyeur) est défini comme la quantité de temps s'est écoulée entre le moment le principal bord du produit écrit le four et le principal bord du produit sort le four. Le temps de cuisinier est commandé en ajustant le contrôleur numérique de vitesse. L'arrangement sur le panneau de commande indique le temps réel de cuisinier.

Le temps de cuisinier sera le même pour n'importe quel produit de taille.

## TEMPS DE LA LIVRAISON

La temps de la livraison est la quantité de temps écoulé entre la période où le principal bord du produit entre dans le four et le rebord arrière du produit est entièrement déchargé et est prêt à être livré au client.

La temps de la livraison change si la taille de produit change.



Note: Appelez-vous de ne pas tirer le produit hors du four quand le principal bord sort. Attendez toujours jusqu'à ce que le produit entier ait passé sous les trous d'air - les besoins de produit cette fois de faire cuire entièrement.

## TEMPS DE CUISINIER CONTRE LA TEMPÉRATURE DE CUISINIER

Temps de Livraison changements avec de diverses nourritures  
mais Temps de Cuisinier est constant avec  
une vitesse régulière de convoyeur.

## L'INFORMATION D'AFFICHAGE

En actionnant le four, il y a trois niveaux d'accès:

1. Stockez De Niveau - Les employés généraux sauraient ces fonctions et comment les changer. Tandis que le four fonctionne, entrez ce mode en tenant la DUNE et LEVEZ les flèches (↑) (↓) simultanément pendant quatre secondes. L'affichage de TEMPS va blanc et le setpoint de la TEMPÉRATURE est montré. Ajustez avec la DUNE ou LEVEZ les flèches. Le bouton de ENTREEZ (↻) bascule entre le TEMPS et la TEMPÉRATURE. Le paramètre qui peut être ajusté est montré, l'autre est blanc. Quand le TEMPS et la TEMPÉRATURE sont ajustés comme nécessaires, attendez cinq secondes et ECONOMISER est montré. Les valeurs sont acceptées et le contrôleur commence à commander à ces nouvelles valeurs. Le convoyeur continue à fonctionner à la même vitesse jusqu'à ce qu'une nouvelle valeur soit acceptée. Le rendement de commande de température devrait être arrêté pendant les changements.
2. Niveau De Directeur - C'est une serrure de sorte que le TEMPS et la TEMPÉRATURE ne puissent pas être changés même au "Stockez de Niveau." Tandis que le four fonctionne, entrez ce mode en tenant la DUNE et LEVEZ les flèches (↑) (↓) simultanément pendant quatre secondes. L'affichage de TEMPS va blanc et le setpoint de la TEMPÉRATURE est montré. Libérez la flèche LEVEZ (↑) et continuez à maintenir la flèche DUNE (↑) pendant encore 4 secondes. L'affichage de la TEMPÉRATURE montre "LOC" pendant que l'affichage de TEMPS montre "nO," ce qui indique que les paramètres de TEMPS/TEMPÉRATURE peuvent être changés après-arrêt du "Stockez de Niveau." "YES" indique que les paramètres ne peuvent pas être changés même après entrer le "Stockez de Niveau." L'arrangement de "LOC" peut être basculé utilisant le bouton de ENTREEZ (↻).

## FONCTIONS ADDITIONNELLES

La direction de bande de convoyeur et l'affichage de la température peuvent être changés sur le four de convoyeur par un technicien qualifié. Pour changer la direction de ceinture, le technicien doit renverser la direction de moteur et tourner la bande de convoyeur pour la fonction appropriée de four. Un technicien peut également changer l'affichage de la température de Fahrenheit en Celsius. Ces changements peuvent être faits par le technicien pendant le start-up/check-out ou à une date ultérieure.

## CODES D'ERREUR

Les codes d'erreur monteront en tant que messages de clignotant des textes pour des buts diagnostiques. La n'importe quelle température ou erreur de thermocouple devrait tourner la température produite laisser le convoyeur fonctionner à la même vitesse. L'erreur de ceinture devrait tourner la température produite au loin. L'erreur de vitesse devrait monter quand le moteur ne peut pas arranger à la vitesse choisie. Ceci pourrait se produire si on choisit une vitesse rapide que le moteur ne peut pas tourner assez rapidement pour réaliser. Le rendement de signal de vitesse demeurera le même mais l'affichage clignotera le message d'erreur.

<b>OPEN</b>	LE CONTRÔLEUR NE SENT AUCUN SIGNAL DU THERMOCOUPLE
<b>P-09</b>	LE CONTRÔLEUR SENT UN ETAT DE SURCHAUFFE OU AUTRE ERREUR DE SONDE
<b>ERR</b>	LE CONTRÔLEUR DEMANDE LA CHALEUR MAIS LA TEMPÉRATURE NE S'EST PAS ELEVEE
<b>NO</b>	LE CONTRÔLEUR DEMANDE LA CHALEUR MAIS LA TEMPÉRATURE NE S'EST PAS ELEVEE
<b>ERR</b>	LE MOTEUR EST ARRÊTÉ/BLOQUÉ OU AUCUN SIGNAL DE TACHMÈTRE N'EST REÇU
<b>SPED</b>	LA VITESSE EST HORS DE GAMME MAIS LE MOTEUR FONCTIONNE

<b>EE</b>	MESSAGE ALERTE: AFFICHAGES QUAND DES PROBLÈMES DE MÉMOIRE SONT DÉTECTÉS
-----------	---

<b>SEF</b>	POUR ALLER DE NOUVEAU AUX PRÉREGLAGES D'USINE: COUPEZ LE COURANT, APPUYEZ LES BOUTONS 2 ET 3, RÉTABUSSEZ LE COURANT (ÊTRE FAIT QUAND "SEI DEF" MONTRE), DIFFÉRENTS PARAMÈTRES SONT CHANGÉS PAR D'AUTRES MENUS COMME EXIGÉS
------------	--

<b>SEF</b>	POUR PLACER LE CAUBRAGE ET CHANGER LA MÉMOIRE EN PRÉREGLAZ: COUPEZ LE COURANT, APPUYEZ SUR LE BOUTON 1, 2, ET 3, RÉTABUSSEZ LE COURANT (ÊTRE FAIT QUAND "SEI DEF" MONTRE), AVERTISSEMENT: LE CAUBRAGE DE LA TEMPÉRATURE SERA ÉTEINT À MOINS QUE LE SIMULATEUR DE THERMOCOUPLE (PLACEZ POUR 300°C) SOIT ATTACHÉ AVANT DE RÉTABUR LE COURANT
------------	--

<b>COLP</b>	AFFICHAGE NE MONTRERA PAS UNE TEMPÉRATURE PLUS BAS QUE 140°F (L'AFFICHAGE PENDANT L'ÉTAPE INITIALE DE PRÉCHAUFFER LE FOUR)
-------------	--



Consulte le manuel pour les instructions to change option settings.  
Consultez le manuel pour les instructions pour modifier les paramètres d'options.

1. Appuyez sur ▲ à plusieurs reprises pour les options.  
2. Appuyez sur ▲ pendant 1/2 seconde.  
3. Appuyez sur ➡ pour accepter ou attendre réarmement automatique.

**Comment sélectionner des options:**

1. PRESS & HOLD ▲ FOR 1/2 SECOND.  
2. PRESS ▲ REPEATEDLY TO CHOOSE YOUR COOKING OPTION.  
3. PRESS ➡ TO ACCEPT OR WAIT AND SETTINGS WILL RESET.

**SELECTING COOK OPTIONS:**



ON / MARCHE

OFF / ARRÊTE

Vous allez prendre du temps de lire les consignes d'utilisation de sûreté suivante. Elles sont la clef à l'opération réussie de votre four de convoyeur de Ultra Max.

**TIP DE SÛRETÉ**

**Pour votre sûreté, lisez avant l'opération.**

**Si vous sentez le gaz:**

1. N'essayez pas de n'allumer aucun appareil.
2. Ne touchez aucun commutateur électrique.
3. Utilisez un téléphone extérieurement pour appeler votre fournisseur de gaz immédiatement.
4. Si vous ne pouvez pas atteindre votre fournisseur de gaz, appelez le département de feu.

**En cas d'une panne de courant:**

1. Arrêtez tous les commutateurs.
2. N'essayez pas d'actionner le four jusqu'à ce que la puissance soit reconstituée.

**Bouts Généraux De Sûreté:**

1. Si le four doit être déplacé pour n'importe quelle raison, le électrique doit être arrêté et démonté à partir de l'unité.
2. N'enlevez pas la couverture de boîte de commande à moins que le four soit débranché.

**OPÉRATION**

**Pour allumer le four:**

1. Poussez le commutateur de puissance à "MARCHE".
2. Après que le ventilateur commence à établir la pression, le mano-contact fournira la puissance au tableau de commande d'engager le conjointeur élément de chauffe. Vous devriez entendre un "click" en conjointeur pendant qu'il commence à chauffer.

**Pour ajuster le temps et la température:**

1. Serrez la DUNE et LEVEZ les flèches (▲▼) en même temps. Tenez pendant quatre secondes jusqu'à ce que l'affichage de la TEMPÉRATURE aille blanc.
2. Appuyez sur le bouton de ENTREE (➡) pour commuter entre le TEMPS et la TEMPÉRATURE.
3. Serrez LEVEZ la flèche (▼) pour augmenter ou DUNE la flèche (▲) pour diminuer le TEMPS ou la TEMPÉRATURE. Maintenez l'un ou l'autre bouton pour des changements plus rapides d'affichage.
4. Après cinq en second lieu, les nouveaux nombres seront sauvés et le four montrera les nouveaux arrangements.

**Comment sélectionner des options:**

1. Appuyez maintenez ▲ pendant 1/2 seconde.
2. Appuyez sur ▲ à plusieurs reprises pour les options.
3. Appuyez sur ➡ pour accepter ou attendre réarmement automatique.

**Pour arrêter le four:**

**OPTIONS DE CUISSON**

OPTION	TEMPÉRATURE	TEMPS
1	500°F/260°C	8:00
2	400°F/204°C	14:00
3	450°F/232°C	16:00
4	500°F/260°C	10:00
5	450°F/232°C	12:00
6	400°F/204°C	20:00

1. Poussez le commutateur de puissance au "ARRÊTE." Le four est équipé d'un dispositif à l'arrière de la protection d'axe et de roulement de moteur. Ceci permet aux turbines de fonctionner indépendamment du statut de contrôle. Les ventilateurs continuent à fonctionner jusqu'à ce que le four se refroidisse à une température sûre.

## INSTRUCTIONS D'EMPILEMENT

Les instructions suivantes devraient être suivies en emplant plus d'une unité.

### Installation Simple de Chariot de Four (ou le Fond):

1. Enlevez la porte, le convoyeur, et les doigts.
2. Déverrouillez l'unité de la caisse d'expédition (4 boulons).
3. Tournez l'unité sur l'avant comme montré dans le schéma à la page suivante.
4. Filetez les quatre jambes dans le fond du four.
5. Soulevez SOIGNEUSEMENT de four.

### Le Four Empilé Installe La Préparation:

1. Enlevez la porte, le convoyeur, et les doigts.
2. Déverrouillez l'unité de la caisse d'expédition (4 boulons).
3. Tournez l'unité sur l'avant comme montré.
4. Enlevez le dessus du four inférieur (4 vis se montent, 2 avant et arrière) et boulonnez à la base empliée de four avec 3/8 - 16 boulons.
5. Placez le four supérieur sur l'unité inférieure et le rattachez avec des vis pour le dessus du four inférieur.

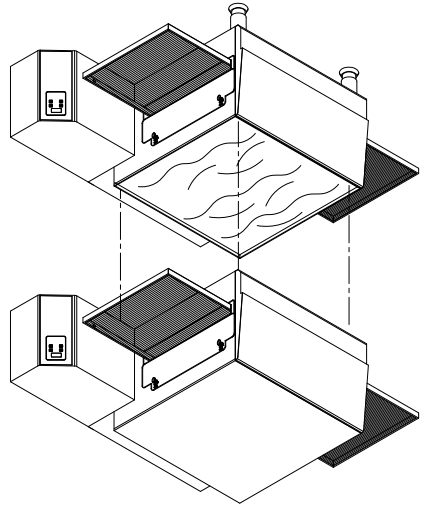
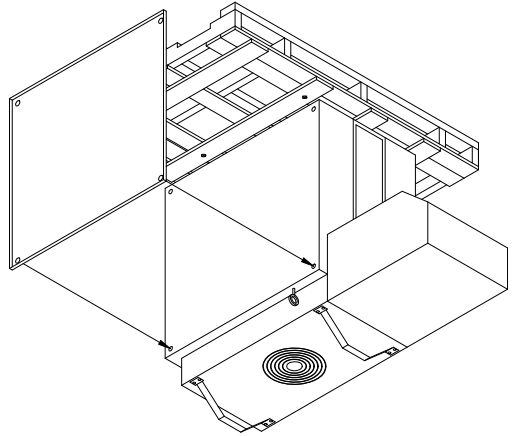
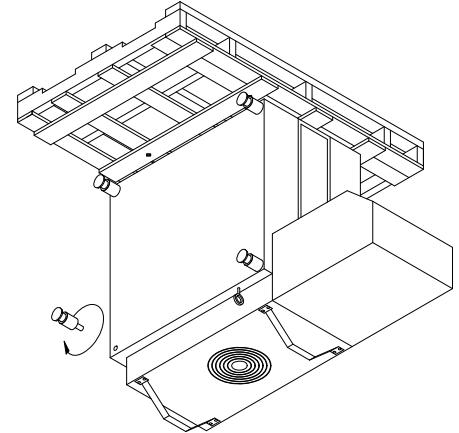
## CONSIGNES D'UTILISATION

N'ESSAYEZ PAS D'ACTIONNER LE FOUR jusqu'à ce que le raccordement du service et de l'installation de service ait été entièrement inspecté (contrôle de mise en train) par un technicien autorisé de service ou un technicien de service d'étoile afin d'assurer le four est correctement installé et dans l'ordre d'entretien. La garantie devient efficace lors de la vérification de l'installation appropriée.

## ATTENTION



**NE TRAVAILLEZ PAS AUTOUR DE LA BANDE DE CONVEYEUR AVEC DE LONGS CHEVEUX, HABILLEMENT LÂCHE, OU BIJOUX BALANÇANTS. SE FAIRE ATTRAPER DANS LA CEINTURE A PU AVOIR COMME CONSÉQUENCE LE DÉMEMBREMENT OU LES DOMMAGES MORTELS.**



Sauf indication contraire, le voyage de convoyeur est usiné réglée pour la gauche à la bonne opération en faisant face à l'avant du four. Si un changement de direction est exigé, référez-vous à l'INFORMATION D'AFFICHAGE, la section 3 pour des instructions sur la façon dont programmer le contrôleur pour un changement de direction. En outre, la bande de convoyeur doit être changée en voyage dans la nouvelle direction.

## CONSIGNES D'UTILISATION DE SÛRETÉ

L'information contenue dans cette section est donnée pour l'utilisation des personnels exploitants qualifiés. Les personnels exploitants qualifiés sont ceux qui ont soigneusement lu l'information contenue en ce manuel, sont au courant des fonctions du four et/ou ont eu une expérience précédente avec l'opération de l'équipement décrit. L'adhérence aux procédures recommandées ci-dessus assurera l'accomplissement de l'exécution optimale et du long, sans panne service.



**Cet appareil est équipé avec un connecteur de trois-tourche pour votre protection contre le choc et devrait être branché directement à un réceptacle correct de trois-tourche. Ne coupez pas ou n'enlevez pas la troisième tourche de ce connecteur.**

### ATTENTION

Avant d'établir tous les rapports électriques à cette unité, vérifiez que l'alimentation d'énergie est proportionnée pour la tension, l'ampérage, et les conditions de phase indiquées de la plaque de contrôle. Un diagramme de câblage est inclus sous ce pli.

Une fois installé, cet appareil doit être électriquement fondu et son installation doit être conforme au Code de Electric de National, au ANSI-NFPA 70, à la dernière version, aux instructions d'installation du fabricant, et aux codes municipaux locaux applicables de bâtiment. Au Canada, tous les raccordements électriques sont d'être conformes CSA C22.1 - le Part 1 de Code de Electrical de Canadian et/ou des codes locaux.



**Empêchez le flux d'air par le tunnel à cuire. De l'air ne doit pas être dirigé sur le four avant ou arrière ou vers le côté du secteur à cuire. Ceci peut causer la cuisine inachevée et la consommation d'énergie accrue.**

### ATTENTION

Les codes locaux régissent. Ce sont l'"autorité ayant la juridiction" comme indiqué par le National Fire Protection Association, Inc. dans le NFPA 96-Latest Edition. Pour davantage d'information de ventilation voir ci-dessous.

Un capot de ventilation peut être exigé pour enlever la chaleur et des odeurs de cuisine. Le capot et l'installation de la HVAC doivent rencontrer des codes locaux pour gagner l'approbation par l'autorité ayant la juridiction. Les conditions peuvent changer dans tout le pays selon l'endroit par la ville, le comté, et l'état. Obtenez l'information de l'autorité ayant la juridiction pour déterminer les conditions pour votre installation. Obtenez les copies de l'information et de revue des codes ou des documents qui seront employés pour inspecter et approuver votre installation. Votre fournisseur de capot de ventilation et entrepreneur de la HVAC devraient être contactés pour fournir des conseils.

### VENTILATION

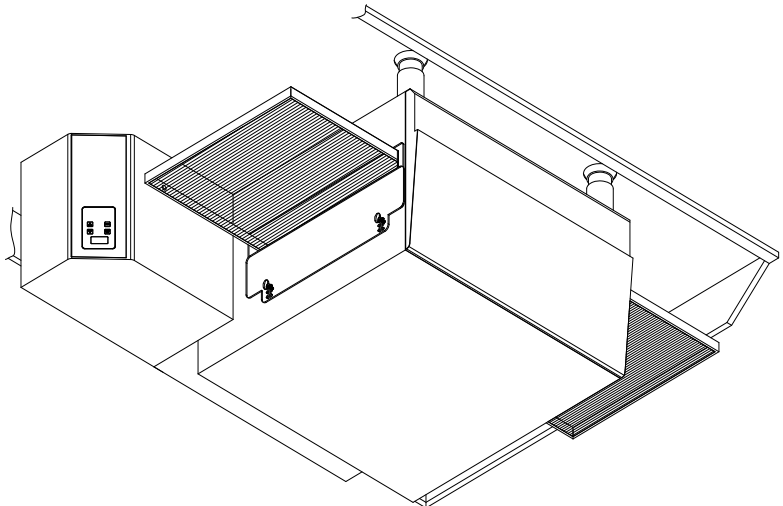
**N'importe quel chariot que le four est localisé dessus doit être profond et long pour fournir une plateforme stable. Un chariot étroit a pu permettre au four de tomber d'et de dommages la propriété ou de blesser sérieusement des personnes.**

### ATTENTION

**N'importe quelle surface que le four est monté dessus devrait avoir un secteur augmenté autour du périmètre pour empêcher le four de tomber accidentellement le bord. Les dommages ou la mort sérieux pourraient se produire si le four tombe sur une personne.**

### ATTENTION

Cet appareil doit être installé sur un table ou fort position en utilisant les pieds donnés pour le nettoyage. Minimum, on devrait permettre 24" de l'espace sur l'extrémité du four pour le déplacement du convoyeur si le four n'est pas sur un chariot mobile. Permettez l'espace pour qu'un technicien de service accède à de boîte de commande et à la couverture de moteur de ventilateur au-dessus de l'arrière du four si le four n'est pas mobile.



## L'INFORMATION IMPORTANTE DE SÛRETÉ

N'essayez pas d'actionner le four jusqu'à ce que le raccordement du service de service ait été entièrement inspecté par un technicien autorisé de service ou un technicien de Star. Ce service est exigé par le Star afin d'aider l'acheteur dans la mise en train appropriée du four sur l'emplacement. Veuillez noter les détails spécifiques sur la garantie et assurez-vous que des rapports de service sont établis aux services de service appropriés.

La garantie ne s'appliquera pas si le four est commencé vers le haut et actionné avant les utilisations et le four étant inspectés et le contrôle fait par un technicien autorisé de service ou un technicien de Star.

### ATTENTION

L'INSTALLATION INEXACTE, L'AJUSTEMENT, LE CHANGEMENT, LE SERVICE, OU LA MORT, LISEZ TOUTES LES INSTRUCTIONS COMPLÈTEMENT AVANT D'INSTALLER OU ENTREtenir CET ÉQUIPEMENT.

### ATTENTION

Des dégagements minimum doivent être maintenus tous les murs et matériaux combustibles. Les dégagements minimum pour cette unité devraient être à 0 pouces de l'arrière (les bords arrière fournis doivent être en place) et à 6 pouces des deux côtés. Maintenez le four libre et dégagé de tout le matériel combustible.

### ATTENTION

N'obstruez pas de ventilation trous dans les panneaux de commande en tant que ces derniers fournissent air de refroidissement pour les commandes.

### ATTENTION

Le four doit être actionné seulement sur le type d'électricité montrés du plat de spécifications.

## L'INFORMATION D'INSTALLATION

LES INSTRUCTIONS D'INSTALLATION CONTENUES CI-DESSUS SONT POUR L'USAGE DU PERSONNEL QUALIFIÉ D'INSTALLATION ET DE SERVICE SEULEMENT. L'INSTALLATION OU LE SERVICE PRÈS AUTRE QUE LE PERSONNEL QUALIFIÉ PEUT AVOIR COMME CONSÉQUENCE LES DOMMAGES AU FOUR ET/OU AUX DOMMAGES À L'OPÉRATEUR.

Le personnel qualifié d'installation est des individus, une société, une société, ou une compagnie que chez la personne ou par un représentant sont engagé dedans, et responsable de:

1. L'installation du câblage électrique du mètre électrique, de la boîte de commande principale ou de la sortie de service à l'appareil électrique.

Le personnel qualifié d'installation doit être expérimenté dans un tel travail, au courant de toutes les précautions prises, et s'est conformé à toutes les conditions de l'état ou des autorités locales ayant la juridiction.

## ENDROIT

Le placement bien projeté et approprié de votre four aura comme conséquence la convenance d'opérateur à long terme et l'exécution satisfaisante.

Il est essentiel qu'à air proportionnée au four soit maintenue pour fournir un écoulement suffisant d'air de ventilation. Suivez ces directives:

1. Placez le four dans un secteur qui est exempt d'ébauches.

2. Maintenez le secteur de four libre et dégagé de tous les combustibles tels que le papier, le carton, et les liquides inflammables et les dissolvants.

3. Ne placez pas le four sur une base ou un joint de bord à un mur. Ceci limitera l'écoulement d'air et empêchera la ventilation appropriée aux turbines. Cette condition doit être corrigée pour empêcher des dommages permanents au four.

4. Sur tous les modèles, le déclenchement du dispositif thermique de la surcharge de la turbine indique une température ambiante excessive au fond du four. Cette condition doit être corrigée pour éviter d'endommager permanent le four.

## INFORMATIONS GÉNÉRALES

Cet équipement est conçu et vendu pour le usage commercial seulement par le personnel qualifié et expérimenté dans son opération et est pas vendu pour usage du consommateur dans et autour de la maison ni pour usage directement par le grand public dans des endroits de service de traitement.

En premier lieu, chaque caisse devrait être examinée avant de signer le connaissance pour rapporter importe quels dommages évidents par le camionneur en transit, et pour expliquer le nombre approprié de caisses. Se il y a des dommages apparents, des arrangements devraient être pris pour classer une réclamation contre le porteur. Les règlements de commerce entre Etats exigent que la réclamation doit être lancée par le destinataire. Des équipements appropriés et bloqués de stockage devraient être arrangés pour oven(s) au besoin pour le protéger contre des conditions extérieures ou humides à tout moment avant installation.

### -IMPORTANT-

Quand vous faites décharger toutes les caisses, ouvrez les caisses et enlevez toutes les couvertures en plastique. Inspectez immédiatement pour déceler les dommages cachés. Si quelque chose semble être endommagé, contactez les personnes appropriées immédiatement pour classer une réclamation de dommages. Après exécution de cette inspection, finissez de déballer le four. Soyez sûr de enlever tout le matériel de papier de protection et emballage à partir de unité avant chauffage.

### ATTENTION

**POUR VOTRE SÛRETÉ NE STOCKEZ PAS OU EMPLOYEZ PAS ESSENCE OU AUTRES VAPEURS ET LIQUIDES INFLAMMABLES À PROXIMITÉ DE CECI OU AUCUN AUTRE**

### APPAREIL.

### INSTALLATION

208 V & 240 V

Les fours sont équipés pour la tension de puissance indiquée sur la plaque signalétique montée sur l'arrière de la boîte de commande. Ils fonctionneront sur le courant alternatif (C.A.) seulement. Une corde est incluse avec un connecteur de la NEMA 6-50. Un réceptacle assorti avec l'approvisionnement de 50 ampères doit être fourni.

230 V

Les fours sont équipés pour la tension de puissance indiquée sur la plaque signalétique montée sur l'arrière de la boîte de commande. Ils fonctionneront sur le courant alternatif (C.A.) seulement. Une douille de corde est fournie au fond de la boîte de commande. Ceci permet à la corde installateur-fournie d'être reliée aux raccords de TB situés derrière la porte d'accès arrière. Le four doit être relié à la puissance par tous les codes applicables. Une manière de démonter le four de la puissance devrait être fournie pour la sûreté et la facilité de l'entretien.

L'appareil doit être localisé où la prise est accessible. Harmonisée, 300/500V, corde huile-résistante et flexible avec des estimations minimum de 65 degrés C doit être employée. Choisissez les conducteurs corrects par rapport à la longueur de la corde (1,0 millimètres carrés au minimum) et des conditions de fonctionnement (la température, etc).

### ATTENTION

**NE RELIEZ PAS AU COURANT CONTINU (C.C.).**

L'installation du four électrique se conformer au:

**CODE ÉLECTRIQUE NATIONAL ET TOUTES LES CODES ET ORDONNANCES ÉLECTRIQUES LOCALES ET LES RÉGLES ET LES RÉGLEMENTS DE LOCAL ELECTRIC COMPANY.**

## LA RESPONSABILITÉ DE L'ACHETEUR

Il est de la responsabilité de l'acheteur:

1. Pour voir que les services électriques pour le four sont installés sur l'emplacement selon les caractéristiques du fabricant.

2. Pour décharger, désempaqueter, et installer le four dans son endroit approprié et selon ce manuel d'opération d'installation.

3. Pour voir que services électriques sont reliés correctement par un installateur qualifié de votre choix. Tous tels raccordements doivent être conformes aux conditions applicables de code.

4. Pour assurer le contrôle d'inspection et d'opération par un technicien autorisé de service. **La garantie devient efficace lors de la vérification de l'installation appropriée.**

**UM1833A-208V, UM1833A-240V**

Évaluer/Raccorderment: 6,400W (6,000 élément) 32/29A @ 208/240V  
 NEMA 6-50 connecteur avec la corde 6' huile-résistante  
 Indépendant 50 Amp 208/240VAC, monophasé, 50/60 Hz service par Four  
 Poids Approximatif (1833 avec des jambes): Installé - 180 Lbs (81.8 kg), Transporté - 210 Lbs (95.5 kg)  
 Dimensions: Largeur: 51.2" (130.0 cm) - Four avec des étagères  
 Profondeur: 30.4" (77.2 cm)  
 Hauteur: 20.0" (50.8 cm) - Un four avec des jambes  
 36.0" (91.4 cm) - Deux fours avec des jambes  
**Les Dégagements Minimums recommandés :**  
 L'arrière de Four pour Emprisonner 0" (0 CM)  
 Les Extensions de convoyeur pour Emprisonner 6" (15.2 CM)

**UM1850A-208V, UM1850A-240V**

Évaluer/Raccorderment: 6,400W (6,000 élément) 32/29A @ 208/240V  
 NEMA 6-50 connecteur avec la corde 6' huile-résistante  
 Indépendant 50 Amp 208/240VAC, monophasé, 50/60 Hz service par Four  
 Poids Approximatif (1850 avec des jambes): Installé - 210 Lbs (95.5 kg), Transporté - 240 Lbs (109.1 kg)  
 Dimensions: Largeur: 50.0" (127.0 cm)  
 Profondeur: 30.4" (77.2 cm)  
 Hauteur: 20.0" (50.8 cm) - Un four avec des jambes  
 36.0" (91.4 cm) - Deux fours avec des jambes  
**Les Dégagements Minimums recommandés :**  
 L'arrière de Four pour Emprisonner 0" (0 CM)  
 Les Extensions de convoyeur pour Emprisonner 6" (15.2 CM)

**UM1833A-230V**

Évaluer/Raccorderment: 6,600W (3 x 2,000W élément assemblée)  
 Le TB a fourni (L1, L2, L3, N, Terre)  
 Indépendant service par Four - 15 Amp, 400/230 VAC, 3-phase, 50 Hz  
 Poids Approximatif (1833 avec des jambes): Installé - 180 Lbs (81.8 kg), Transporté - 210 Lbs (95.5 kg)  
 Dimensions: Largeur: 51.2" (130.0 cm) - Four avec des étagères  
 Profondeur: 30.4" (77.2 cm)  
 Hauteur: 20.0" (50.8 cm) - Un four avec des jambes  
 36.0" (91.4 cm) - Deux fours avec des jambes  
**Les Dégagements Minimums recommandés :**  
 L'arrière de Four pour Emprisonner 0" (0 CM)  
 Les Extensions de convoyeur pour Emprisonner 6" (15.2 CM)

**UM1850A-230V**

Évaluer/Raccorderment: 6,600W (3 x 2,000W élément assemblée)  
 Le TB a fourni (L1, L2, L3, N, Terre)  
 Indépendant service par Four - 15 Amp, 400/230 VAC, 3-phase, 50 Hz  
 Poids Approximatif (1850 avec des jambes): Installé - 210 Lbs (95.5 kg), Transporté - 240 Lbs (109.1 kg)  
 Dimensions: Largeur: 50.0" (127.0 cm)  
 Profondeur: 30.4" (77.2 cm)  
 Hauteur: 20.0" (50.8 cm) - Un four avec des jambes  
 36.0" (91.4 cm) - Deux fours avec des jambes  
**Les Dégagements Minimums recommandés :**  
 L'arrière de Four pour Emprisonner 0" (0 CM)  
 Les Extensions de convoyeur pour Emprisonner 6" (15.2 CM)

## SYMBOLE DE SÉCURITÉ



Ces symboles sont utilisés pour souligner à l'utilisateur les instructions d'utilisation ou d'entretien importantes contenues dans le manuel qui accompagne l'appareil.

## CONSERVEZ CE MANUEL POUR RÉFÉRENCE FUTURE

### AVIS

L'utilisation de toute pièce autre que les pièces d'origine STAR dégage le fabricant de toute responsabilité.

Star se réserve le droit de changer les spécifications et la conception du produit sans préavis. Ces changements ne donnent pas le droit à l'acheteur d'obtenir les changements, améliorations, ajouts ou remplacements correspondants pour l'équipement acheté préalablement.

Du aux modifications périodiques de dessins, méthodes, procédures, règles et régulations, les spécifications contenues dans ce manuel sont susceptibles de changer sans préavis. Quoique STAR Manufacturing exerce la bonne foi de fournir le renseignement correct, STAR n'est pas responsable pour les erreurs ou les omissions dans le renseignement pourvu ou les conclusions tirées à la suite de l'utilisation des spécifications. En utilisant le renseignement pourvu, l'utilisateur assume tous les risques en relation avec telle utilisation.

## ENTRETIEN ET RÉPARATIONS

Contactez votre détaillant local pour les réparations ou l'entretien requis. Assurez-vous d'avoir le numéro de modèle, le numéro de série, le voltage et la date d'achat pour un service plus rapide. Entrez l'information requise ci-dessous pour référence rapide.

### Agent de service autorisé

Voir la liste pourvue avec l'appareil  
Ou  
Pour une liste mise à jour voir :

**Site web :** [www.star-mfg.com](http://www.star-mfg.com)  
**Courriel :** [customerservice@star-mfg.com](mailto:customerservice@star-mfg.com)

N° de modèle

N° de série

Voltage

Date d'achat

Ultra Max® Ultra Max® Ultra Max® Ultra Max® Ultra Max®

# Ultra Max® FOUR de CONVOYEUR

## ÉLECTRIQUE

MODÈLES

UM1833A

UM1850A

Instructions

d'installation

et d'opération

2M-Z9844 Rev. G 02/2018



UM1850A



1230 V

