

# UltraMax<sup>®</sup>

## GAS CONVEYOR OVEN

### Owner's Manual

UM1854-NAT/-LP

UM1854Q-NAT/-LP

UM1854-NATCE

2M-Z5649 REV P (09-22)



UM1854

UltraMax<sup>®</sup> UltraMax<sup>®</sup> UltraMax<sup>®</sup> UltraMax<sup>®</sup> UltraMax<sup>®</sup>

## SAFETY SYMBOL



These symbols are intended to alert the user to the presence of important operating and maintenance instructions in the manual accompanying the appliance.

---

## RETAIN THIS MANUAL FOR FUTURE REFERENCE

### NOTICE

Using any part other than genuine Star factory supplied parts relieves the manufacturer of all liability.

Star reserves the right to change specifications and product design without notice. Such revisions do not entitle the buyer to corresponding changes, improvements, additions or replacements for previously purchased equipment.

Due to periodic changes in designs, methods, procedures, policies and regulations, the specifications contained in this sheet are subject to change without notice. While Star International Holdings Inc., Company exercises good faith efforts to provide information that is accurate, we are not responsible for errors or omissions in information provided or conclusions reached as a result of using the specifications. By using the information provided, the user assumes all risks in connection with such use.

### Service Help Desk

**Business Hours:** 8:00 a.m. to 4:30 p.m.  
Central Standard Time  
**Telephone:** 800-264-7827  
**Fax:**  
**E-mail:** customerservice@star-mfg.com  
**Website:** www.star-mfg.com

**Mailing Address:** Star Manufacturing International  
265 Hobson Street  
Smithville, Tennessee 37166  
U.S.A.

## MAINTENANCE AND REPAIRS

Contact your local authorized service agent for service or required maintenance.

Please record the model number, serial number, voltage and purchase date in the area below and have it ready when you call to ensure a faster service.

Model No. \_\_\_\_\_  
Serial No. \_\_\_\_\_  
Voltage \_\_\_\_\_  
Purchase Date \_\_\_\_\_

### Authorized Service Agent Listing

Reference the listing provided with the unit

OR

for an updated listing go to:

**Website:** www.star-mfg.com  
**E-mail:** customerservice@star-mfg.com

## SPECIFICATIONS

### UM1854-NATCE

Gas Rating/Connection: 11.72kW (40,000 BTU/hr), 1/2" BSP female pipe connection

Country:	AT, DK, FI, IE, HU, PT ES, SE, GB, IT, CH, CR	NL	LU, DE	BE, FR
Gas Category:	I <sub>2H</sub>	I <sub>2L</sub>	I <sub>2E</sub>	1 <sub>2E+</sub>
Pressure (mBar):	G <sub>20</sub> @20	G <sub>25</sub> @25	G <sub>20</sub> @20	G <sub>20</sub> @20/25

Electrical Supply: 220-240v, single phase, 1.2A (max), 50Hz

Approximate Weight (Single Oven with Cart): Installed - 280 Lbs (127.27 kg), Shipping - 350 Lbs (159.09 kg)

Dimensions: Width: 60.6" (153.9 cm)  
Depth: 39.9" (99.82 cm) - Front Door(s) Closed  
51.3" (130.3 cm) - Front Door(s) Open  
Height: 43.3" (110.0 cm) - Single Oven with Stand  
60.6" (153.9 cm) - Double Oven with Stand  
62.8" (159.5 cm) - Triple Oven with Dolly

### Recommended Minimum Clearances:

Rear of Oven to Wall 0" (0 cm)

# SPECIFICATIONS

## UM1854-NAT, UM1854-LP

**Gas Rating/Connection:** 40,000 BTU  
1/2" NPT male pipe connection

**Gas Supply Pressure:** Natural - 5-6" water column (15-30 mBar)  
Propane - 11-12" water column (27.5-30 mBar)

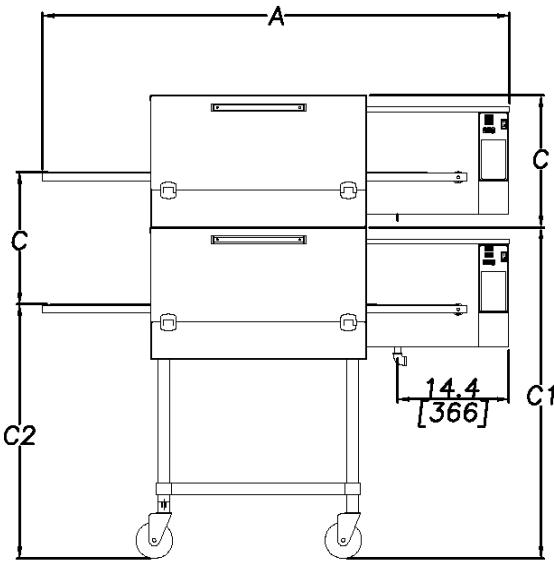
**Electrical Supply:** Separate 15 Amp 120VAC, single phase, 50/60 Hz service per Oven

**Approximate Weight (Single Oven with Cart):** Installed - 280 Lbs (127.27 kg), Shipping - 350 Lbs (159.09 kg)

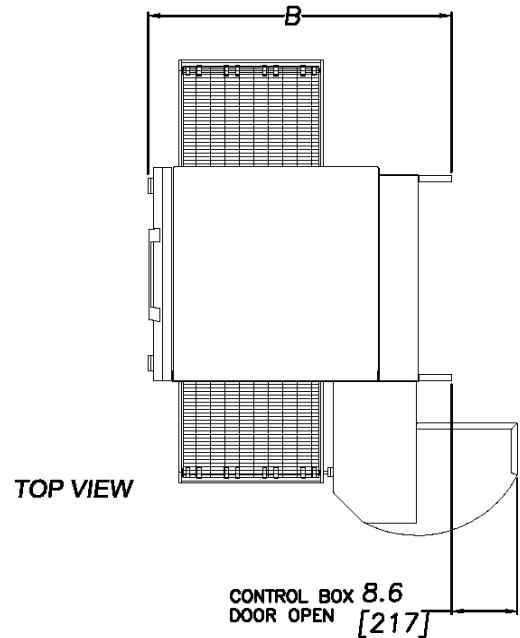
**Dimensions:** **Width:** 60.6" (153.9 cm)  
**Depth:** 39.9" (99.82 cm) - Front Door(s) Closed  
51.3" (130.3 cm) - Front Door(s) Open  
**Height:** 43.3" (110.0 cm) - Single Oven with Stand  
60.6" (153.9 cm) - Double Oven with Stand  
62.8" (159.5 cm) - Triple Oven with Dolly

**Recommended Minimum Clearances:**

Rear of Oven to Wall	0" (0 cm)
Conveyor Extensions to Wall	6" (15.2 cm)

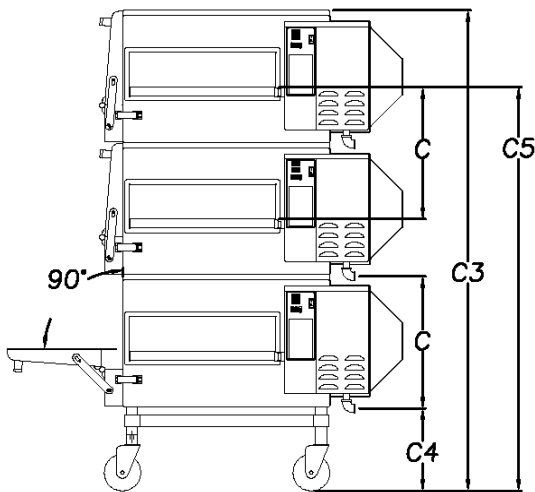


**FRONT VIEW  
DOUBLE STACK**



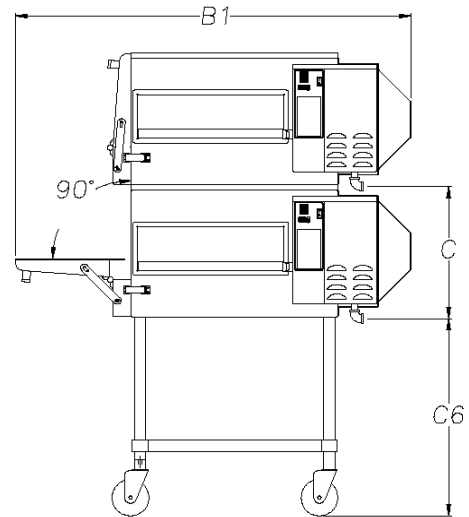
**TOP VIEW**

**CONTROL BOX 8.6  
DOOR OPEN [217]**



**END VIEW  
TRIPLE STACK**

- A = 60.6(1538)
- B = 39.3(999)
- B1 = 51.3(1303)
- C = 17.3(439)
- C1 = 43.3(1099)
- C2 = 33.2(844)
- C3 = 62.8(1595)
- C4 = 10.8(274)
- C5 = 52.8(1341)
- C6 = 25.8(655)



**END VIEW  
DOUBLE STACK**

## GENERAL INFORMATION

This equipment is designed and sold for commercial use only by personnel trained and experienced in its operation and is not sold for consumer use in and around the home nor for use directly by the general public in food service locations.

First and foremost, each crate should be examined before signing the Bill of Lading to report any visible damage by the trucker in transit and to account for the proper number of crates. If there is apparent damage, arrangements should be made to file a claim against the carrier. Interstate Commerce Regulations require that the claim must be initiated by the consignee. Proper and secure storage facilities should be arranged for the oven(s) if necessary to protect it from outdoor or damp conditions at all times before installation.

### **-IMPORTANT-**

When you have all the crates unloaded, open the crates and remove all plastic covers. Inspect at once for concealed damage. If anything appears to be damaged, contact the appropriate persons immediately to file a damage claim. After completing this inspection, finish unpacking the oven. **Be sure to remove all paper protection and packing material from the unit prior to lighting.**



**FOR YOUR SAFETY DO NOT STORE OR USE GASOLINE OR OTHER FLAMMABLE VAPORS AND LIQUIDS IN THE VICINITY OF THIS OR ANY OTHER APPLIANCE.**

**The installation of the Appliance must conform to the NATIONAL FUEL GAS CODE "ANSI Z223.1 - LATEST EDITION" AND ALL LOCAL GAS COMPANY RULES AND REGULATIONS.**

**IN CANADA INSTALLATION SHALL BE IN ACCORDANCE WITH THE CURRENT CAN/CGA-B149.1 NATURAL GAS INSTALLATION CODE OR CAN/CGA-B149.2 PROPANE INSTALLATION CODE AND LOCAL CODES WHERE APPLICABLE.**

### **NOTICE**

This appliance must be installed with a stand and casters designed by Star Manufacturing as part of a complete installation. The installation must also include a connector complying with either ANSI Z21.69 or CAN/CGA-6.16 and a quick-disconnect device complying with either ANSI Z21.41 or CAN1-6.9. It must also be installed with restraining means to guard against transmission of strain to the connector as specified in the appliance manufacturer's instructions.

For your protection, we recommend a qualified installing agency install this appliance. They should be familiar with gas installations and your local gas requirements. In any case, your gas company should be called to approve the final installation.

This appliance, its pressure regulator, and its individual shutoff valve must be disconnected from the gas supply piping system during any pressure testing of that system at test pressures in excess of 1/2 PSIG. This appliance and its pressure regulator must be isolated from the gas supply piping system by closing its individual manual shutoff valve during any pressure testing of the gas supply piping system at test pressures equal to or less than 1/2 PSIG.

## **PURCHASER'S RESPONSIBILITY**

It is the responsibility of the purchaser:

1. To see that the gas and electric services for the oven are installed on site in accordance with the manufacturer's specifications.
2. To unload, uncrate, and install the oven in its proper location and in accordance with this installation operation manual.
3. To see that all gas and electric services are connected properly by a qualified installer of your choice. All such connections must be in accordance with applicable code requirements.
4. To arrange for inspection and operation check-out by an authorized service technician. The warranty becomes effective upon verification of proper installation.

## **IMPORTANT SAFETY INFORMATION**

Do not attempt to operate the oven until connection of utility service has been fully inspected by an authorized service technician or a Star Service Representative. This service is required by Star in order to assist the purchaser in proper start-up of the oven on site. Please note the specific details on the Warranty and make certain that service connections are made to proper utility services.

The warranty shall not apply if the oven is started up and operated prior to the utilities and oven being inspected and check-out made by an authorized service technician or a Star Service Representative.



**IMPROPER INSTALLATION, ADJUSTMENT, ALTERATION, SERVICE, OR MAINTENANCE CAN CAUSE PROPERTY DAMAGE, INJURY, OR DEATH. READ ALL INSTRUCTIONS THOROUGHLY BEFORE INSTALLING OR SERVICING THIS EQUIPMENT.**



**Post in a prominent location the emergency telephone number of your local gas supplier and instructions to be followed in the event you smell gas. If the smell of gas is detected, immediately call the emergency phone number of your local gas company. They will have personnel and provisions available to correct the problem.**



**It is required that the oven be placed under a ventilation hood to provide for adequate air supply and ventilation.**



**Minimum clearances must be maintained from all walls and combustible materials. Minimum clearances for this unit should be 0 inches from the rear (rear bumpers provided must be in place) and 6 inches from both sides. Keep the oven free and clear of all combustible material.**



**Adequate clearance for air openings to the combustion control chamber on the right side of the oven is required. Do not obstruct the ventilation holes in the control panels as these provide the combustion air for the burner and cooling air for the controls.**



**The oven is to be operated only on the type of gas and electricity shown on the specification plate. The burner will not operate and gas will not flow through the burner without electric power.**

## INSTALLATION INFORMATION

**THE INSTALLATION INSTRUCTIONS CONTAINED HEREIN ARE FOR THE USE OF QUALIFIED INSTALLATION AND SERVICE PERSONNEL ONLY. INSTALLATION OR SERVICE BY OTHER THAN QUALIFIED PERSONNEL MAY RESULT IN DAMAGE TO THE OVEN AND/OR INJURY TO THE OPERATOR.**

Qualified installation personnel are individuals, a firm, a corporation, or a company which either in person or through a representative are engaged in and responsible for:

1. The installation or replacement of gas piping and the connection, installation, repair, or servicing of equipment.
2. The installation of electrical wiring from the electric meter, main control box, or service outlet to the electric appliance.

Qualified installation personnel must be experienced in such work, familiar with all precautions required, and have complied with all requirements of state or local authorities having jurisdiction.

## LOCATION

The well-planned and proper placement of your oven will result in long-term operator convenience and satisfactory performance.

**NOTE:** *On gas conveyor ovens, routine servicing can usually be accomplished within the limited movement provided by the gas hose restraint. If the oven needs to be moved further from the wall, the gas must first be turned off and disconnected from the oven before removing the restraint. Reconnect the restraint after the oven has been returned to its regular position.*

It is essential that an adequate air supply to the oven be maintained to provide a sufficient flow of combustion and ventilation air. Follow these guidelines:

1. Place the oven in an area that is free of drafts.
2. Keep the oven area free and clear of all combustibles such as paper, cardboard, flammable liquids, and solvents.
3. Do not place the oven on a curb base or seal to a wall. This will restrict the flow of air and prevent proper ventilation to the blower motors. This condition must be corrected to prevent permanent damage to the oven.
4. On all models, tripping of the blower motor's thermal overload device indicates an excessive ambient temperature at the back of the oven. This condition must be corrected to avoid permanent damage to the oven.



**Failure to properly vent the oven can be hazardous to the health of the operator and may result in operational problems, unsatisfactory baking, and possible damage to the equipment.**

Damage sustained as a direct result of improper ventilation will not be covered by the warranty.

## VENTILATION

**A VENT IS REQUIRED:** Local codes prevail. These are the "authority having jurisdiction" as stated by the National Fire Protection Association, Inc. in NFPA 96-Latest Edition. For further ventilation information see below.

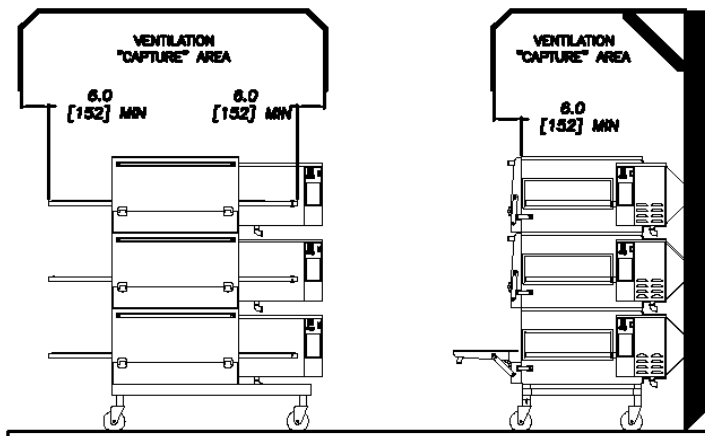
A ventilation hood is required to remove heat and cooking odors. For gas ovens, a ventilation hood is also required to remove the products of combustion. The hood and HVAC installation must meet local codes to gain approval by the authority having jurisdiction. Requirements may vary throughout the country depending on the location by city, county, and state. Obtain information from the authority having jurisdiction to determine the requirements for your installation. Obtain information and review copies of codes or documents that will be used to inspect and approve your installation. Your ventilation hood supplier and HVAC contractor should be contacted to provide guidance. A properly engineered and installed ventilation hood and HVAC system will expedite approval and reduce oven maintenance costs. Proper ventilation is the responsibility of the oven's owner.

The ventilation hood must operate in harmony with the building HVAC system. It typically requires between 750 and 2500 CFM exhaust. (The efficiency of various hood designs makes it necessary to specify such a wide range of ventilator CFM.) Make-up air must be supplied by either a hood design or the HVAC system to avoid a negative pressure condition. This will vary with hoods from various manufacturers.



**Prevent airflow through the cooking tunnel. Air must NOT be directed onto the oven's front or rear or to the sides of the cooking area.**

The following drawing shows a typical installation and is intended to be a guideline. This is not a rigid specification. Hood dimensions and positioning over the oven will vary with hood manufacturer.



### SMOKE CANDLE TEST

In order to verify the proper function of your ventilation system, a smoke candle test should be done. If testing a multiple oven system, this test should be done on the bottom oven. The conveyor coupling should be disconnected and the oven temperature must be set and operating at a minimum of 480°F (249°C).

#### Test Procedure:

1. Wear heat-resistant gloves to prevent burns.
2. Put the smoke candle in an 8"x8"x2" cake pan.
3. Insert candle through conveyor tunnel or oven door.  
**(Use Star Smoke Candle [2W-Z5668](#).)**
4. Light the fuse of the smoke candle and immediately center the pan in the oven cavity on the conveyor belt (keeping the oven door closed).
5. Observe the smoke pattern coming out of all oven openings and the collection of this smoke by the ventilation system.
6. All smoke from the oven must be captured by the ventilation system.

## **GAS SUPPLY RATING AND SIZING**

Calculations for pipe sizing must take into account the maximum usage rate of all other appliances in the kitchen or one or more of the appliances will suffer from inadequate or dangerous performance. The 1/2" NPT connection for the oven is generously sized for use in the control box of the oven. However, unless the oven installation is within 10 feet of the main building gas supply, the supply must be larger. For each oven, a 3/4" NPT flexible quick connect hose and full port gas shut-off valve is recommended as a MINIMUM. The main pipe supplying each oven branch may need to be larger depending on the number of appliances serviced, the number of elbows in the piping, and the pressure. This should be sized and installed by a professional familiar with any local codes that may also affect the installation.

## **ACCESS CONSIDERATIONS**

Locating the gas valve(s), quick connect hose(s) and electrical outlet(s) at the control box end of the oven will allow easier access for any service visits. This improved access should make any necessary service quicker resulting in less kitchen disruption. It will also allow easier disconnection of electricity, gas, and restraints for cleaning around and behind the oven.

## **ELECTRICAL CONNECTION**

Before making any electrical connections to this unit, check that the power supply is adequate for the voltage, amperage, and phase requirements stated on the rating plate. A wiring diagram is included herewith.

When installed, this appliance must be electrically grounded and its installation must comply with the National Electric Code, ANSI-NFPA 70, latest version, manufacturer's installation instructions, and applicable local municipal building codes. In Canada, all electrical connections are to be in accordance with CSA C22.1 - Canadian Electrical Code Part 1 and/or local codes. Other international installations will need to comply with IEC codes, manufacturer's installation instructions, and applicable local municipal building codes.

## **PRESSURE REGULATION AND TESTING**

Each oven has been adjusted at the factory to operate with natural gas. Parts can be ordered for conversion for use with propane.

Each oven is supplied with a regulator to maintain the proper gas pressure. The regulator is essential to the proper operation of the oven and should not be removed. A pressure reading can be taken at one of the 1/8" NPT test ports on the bottom or side of the combination valve. The reading should be taken while the oven is heating up. The regulator is located on the bottom of the gas combination valve, just inside the control box. There is no need to install an additional regulator where the oven connects to the gas supply unless the supply exceeds the maximum.

**NOTE: The supplied regulator is evaluated for a maximum gas supply pressure of 14" water column (34.5 mBar). The recommended maximum gas supply pressure is 12" water column (29.9 mBar).**

Installation must conform with local codes or, in the absence of local codes, with the National Fuel Gas Code, NFPA54/ANSI Z223.1 - Latest Edition, the Natural Gas Installation Code CAN/CGA-B149.1 or the Propane Installation Code CAN/CGA-B149.2 as applicable.

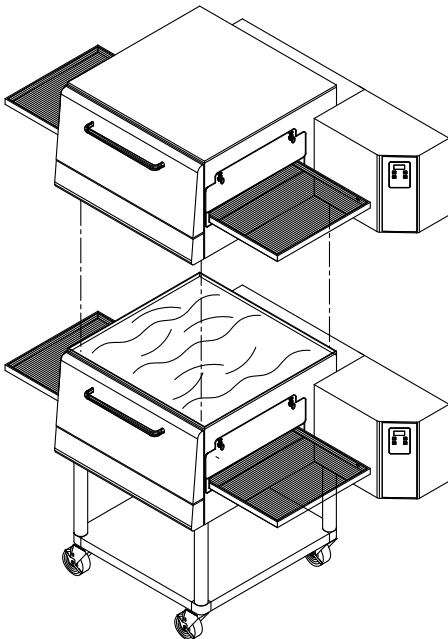
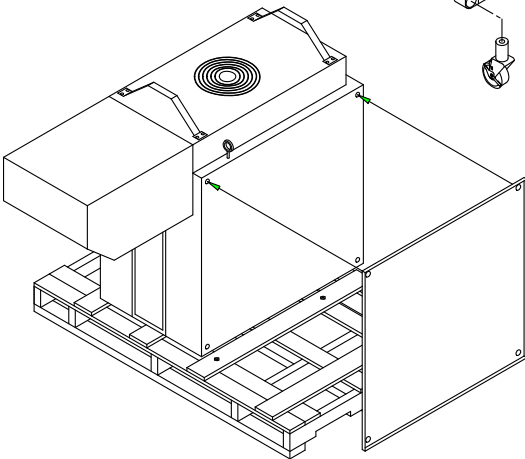
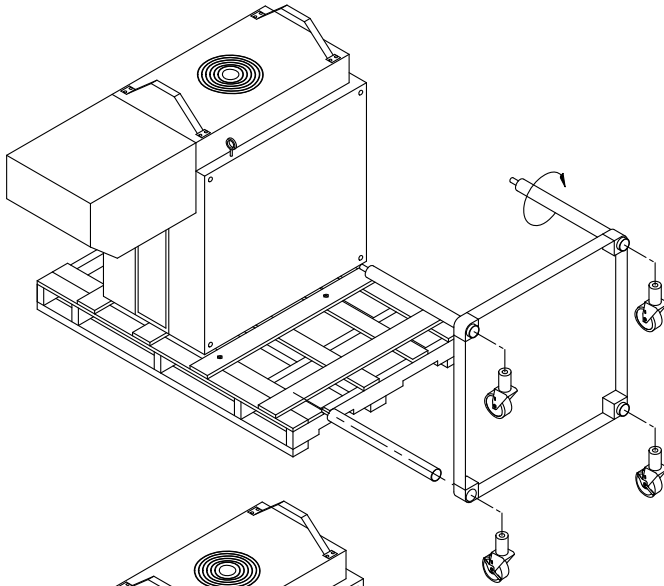


During pressure testing note the following:

1. The oven and its individual manual shut-off valve must be disconnected from the gas supply piping system during any pressure testing of that system at test pressures in excess of 1/2 psig (3.45 kPa). Turn OFF main gas shut-off valve or main gas supply line.
2. The oven must be isolated from the gas supply piping system by closing its individual manual shut-off valve during any pressure testing of the gas supply piping system at test pressures equal to or less than 1/2 psig (3.45 kPa).
3. If incoming pressure is over 14" water column, a separate regulator for the oven must be installed before the gas supply to the oven. For LP it must regulate pressure to 11" water column (27.1 mBar) maximum and 6" for NAT.



**WARNING:** To prevent damage to the control valve regulator during the initial turn-on of gas, it is very important to open the manual shut-off valve very slowly. After the initial gas turn-on, the manual shut-off valve must remain open except during pressure testing as outlined in the above steps or when necessary during service maintenance.



## STACKING INSTRUCTIONS

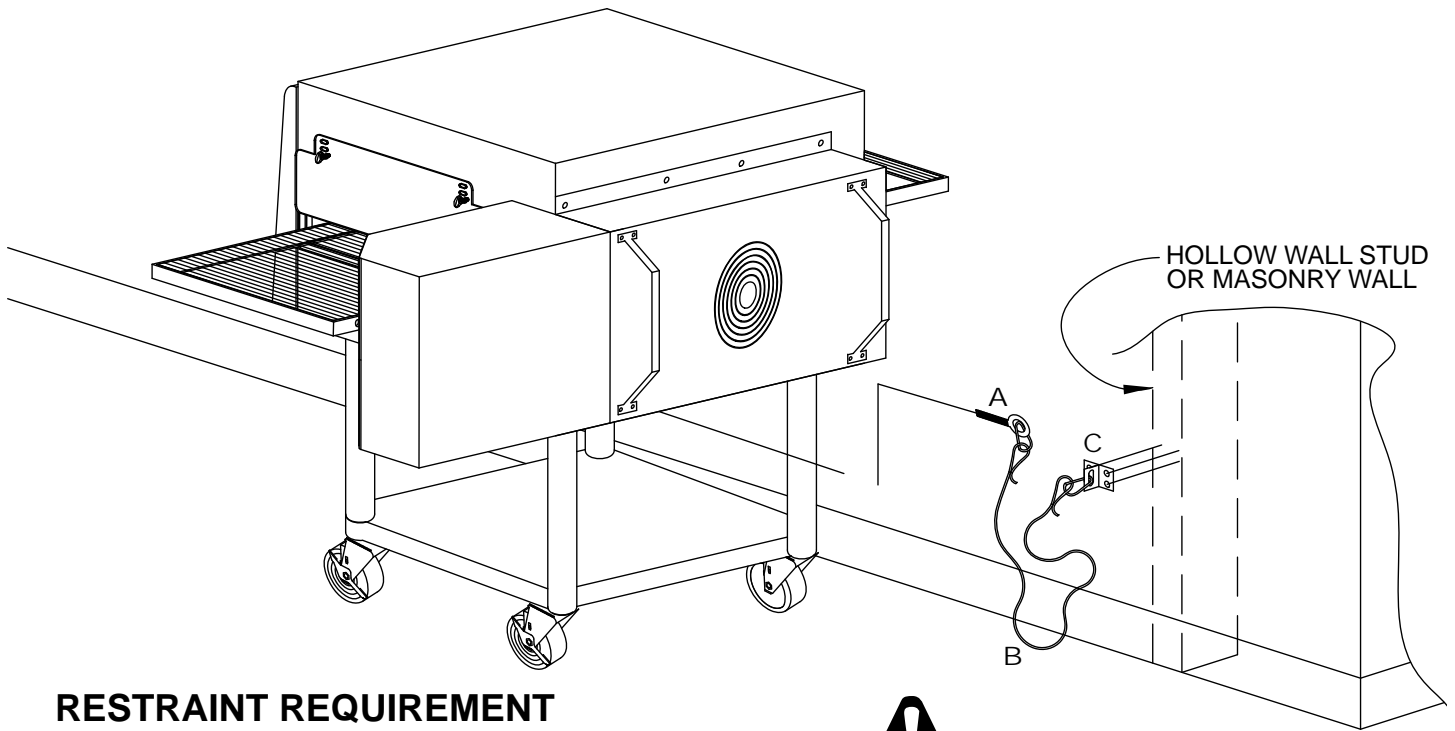
The following instructions should be followed when stacking more than one unit.

### Single Oven (or Bottom) Cart Install:

1. Remove door, conveyor, and finger assemblies.
2. Unbolt unit from shipping crate (2 bolts).
3. Turn unit on front as shown.
4. Slide legs into stand shelf and thread legs into bottom of oven.
5. Install casters into bottom of legs. Place casters with brakes to the front.
6. Position shelf as desired and fasten to legs.
7. CAREFULLY lift oven upright.

### Stacked Oven Install Preparation:

1. Remove door, conveyor, and finger assemblies.
2. Unbolt unit from shipping crate (4 bolts).
3. Turn unit on front as shown.
4. Remove top of lower oven (4 screws total, 2 each front and rear) and bolt to stacked oven base using 5/8 - 11 bolts (4 each, included).
5. Place top oven on lower unit and re-attach with screws for top of lower oven.
6. Use restraint on lowest oven to prevent any high loads that could tip the oven stack.



## RESTRAINT REQUIREMENT

1. The installation shall be made with a gas connector that complies with local codes for connectors for movable gas appliances and a quick-disconnect device that complies with local codes for such devices in use with gas fuel.
2. The installation of the restraint must limit the movement of the oven(s) without depending on the connector, the quick disconnect device, or associated piping to limit the oven movement.
3. If the restraint must be disconnected during maintenance or cleaning, it must be reconnected after the oven has been returned to its originally installed position.

## OPERATING INSTRUCTIONS

DO NOT ATTEMPT TO OPERATE THE OVEN until connection of utility service and installation has been fully inspected (start-up check-out) by an authorized service technician or a Star Service Technician in order to assure the oven is properly installed and in working order. **The warranty becomes effective upon verification of proper installation.**



## CAUTION

**DO NOT WORK AROUND THE CONVEYOR BELT WITH LONG HAIR, LOOSE CLOTHING, OR DANGLING JEWELRY. GETTING CAUGHT IN THE BELT COULD RESULT IN DISMEMBERMENT OR FATAL INJURY.**

Unless specified otherwise, conveyor travel is factory set for left to right operation when facing the front of the oven. If a direction change is required, refer to "DISPLAY INFORMATION," section 3 for instructions on how to program the controller for a direction change. In addition, the conveyor belt must be changed to travel in the new direction.

## SAFETY OPERATING INSTRUCTIONS

The information contained in this section is provided for the use of qualified operating personnel. Qualified operating personnel are those who have carefully read the information contained in this manual, are familiar with the functions of the oven and/or have had previous experience with the operation of the equipment described. Adherence to the procedures recommended herein will assure the achievement of optimum performance and long, trouble-free service.

Please take time to read the following safety operating instructions. They are the key to the successful operation of your Ultra-Max Conveyor Oven.



## SAFETY TIPS

For your safety, read before operating.

### If you smell gas:

1. **DO NOT** try to light any appliance.
2. **DO NOT** touch any electrical switches.
3. Use an exterior phone to call your gas supplier immediately.
4. If you cannot reach your gas supplier, call the fire department.

### In the event of a power failure:

1. Turn all switches off.
2. **DO NOT** attempt to operate the oven until the power is restored.

## General Safety Tips:

1. If the oven needs to be moved for any reason, the power must be disconnected from the unit before doing so.
2. **DO NOT** remove the control box cover unless the oven is unplugged.

## OPERATION

To turn the oven on:

1. Push the power switch to "ON."
2. After the fan begins to build pressure, the pressure switch will provide power to the control board to engage the heating element contactor. You should hear an initial "click" from the contactor as it begins to heat.

## To adjust the time and temperature:

1. Press the DOWN and UP arrows (▼▲) at the same time. Hold for four seconds until the TIME display goes blank.
2. Press the ENTER button (↵) to switch between TIME and TEMPERATURE.
3. Press the UP arrow (▲) to increase or the DOWN arrow (▼) to decrease the TIME or TEMPERATURE. Hold either button down for faster display changes.
4. After five seconds, the new numbers will be saved and the oven will display the new settings.

## SELECTING COOKING OPTIONS

1. Press & hold ▼ for 1/2 second.
2. Press ▼ repeatedly to choose your cooking option.
3. Press ↵ to accept or wait and setting will reset.

COOKING OPTION		
OPTION	TEMP	TIME
1	500°F/260°C	8:00
2	400°F/204°C	14:00
3	450°F/232°C	16:00
4	500°F/260°C	10:00
5	450°F/232°C	12:00
6	400°F/204°C	20:00

## To turn the oven off:

1. Push the power switch to "OFF." The oven is equipped with a cool-down feature for motor shaft and bearing protection. This enables the blower motor(s) to run regardless of the controller status. The blower(s) continue to run until the oven cools to a safe temperature.

ON / MARCHE

OFF / ARRÊTE

### SELECTING COOK OPTIONS:

1. PRESS & HOLD ▼ FOR 1/2 SECOND.
2. PRESS ▼ REPEATEDLY TO CHOOSE YOUR COOKING OPTION.
3. PRESS ↵ TO ACCEPT OR WAIT AND SETTINGS WILL RESET.

Comment sélectionner des options:

1. Appuyez maintenez ▼ pendant 1/2 seconde.
2. Appuyez sur ▼ à plusieurs reprises pour les options.
3. Appuyez sur ↵ pour accepter ou attendre réarmement automatique.

Consult the manual for instructions to change option settings.  
Consultez le manuel pour les instructions pour modifier les paramètres d' options.

IL3046

## DISPLAY INFORMATION

When operating the oven, there are different levels of access:

1. **Store Level** - General employees would know these functions and how to change them. While the oven is running, enter this mode by holding the DOWN and UP arrows (⬇️ ⬆️) simultaneously for four seconds. The TIME display goes blank and the TEMP setpoint is displayed. Adjust with the DOWN or UP arrows. The ENTER button (Ⓜ️) toggles between TIME and TEMP. The parameter that can be adjusted is displayed, the other is blank. When TIME and TEMP are adjusted as needed, wait five seconds and SAVE is displayed. The values are accepted and the controller begins controlling to these new values. The conveyor continues to operate at the same speed until a new value is accepted. The temperature control output should be OFF during changes.
2. **Manager Level** - This is a lock so that TIME and TEMP cannot be changed even at the Store Level. While the oven is running, enter this mode by holding the DOWN and UP arrows simultaneously for 4 seconds. The TIME display goes blank and the TEMP setpoint is displayed. Release the UP arrow and continue to hold the DOWN arrow for an additional 4 seconds. The TEMP display shows LOC as the TIME display shows nO, which indicates that the TIME/TEMP parameters can be changed. After reaching the STORE level. yES indicates that the parameters cannot be changed even after entering the STORE level. The LOC setting can be toggled using the ENTER button (Ⓜ️).

## ADDITIONAL FUNCTIONS

The conveyor belt direction and the temperature display can be changed on the conveyor oven by a qualified technician. To change the belt direction, the technician must reverse the motor direction and rotate the conveyor belt for proper oven function. A technician can also change the temperature display from Fahrenheit to Celsius. These changes can be made by the technician during the start-up/check-out or at a later date.

## ERROR CODES

Error codes will display as flashing text messages for diagnostic purposes. Any temperature or thermocouple error should turn the temperature output OFF and leave the conveyor running at the same speed. The belt error should turn the temperature output OFF. The speed error should display when the motor is unable to settle at the chosen speed. This might occur if a fast speed is chosen that the motor is unable to spin fast enough to achieve. The speed signal output will remain the same but the display will flash the error message.

<b>OPeN</b> <b>PrOb</b>	CONTROLLER SENSES NO SIGNAL FROM THE THERMOCOUPLE	<b>PrOb</b> <b>Err</b>	CONTROLLER SENSES OVER-TEMPERATURE CONDITION OR OTHER PROBE ERROR	<b>nO</b> <b>HEAt</b>	CONTROLLER IS REQUESTING HEAT BUT TEMP HAS NOT RISEN	<b>bELt</b> <b>Err</b>	MOTOR IS STOPPED/JAMMED OR NO TACH SIGNAL IS BEING RECEIVED	<b>SPeEd</b> <b>Err</b>	SPEED IS OUT OF RANGE BUT MOTOR IS FUNCTIONING
<b>EE</b> <b>FAIL</b>	ALERT MESSAGE: DISPLAYS WHEN MEMORY PROBLEMS ARE DETECTED	<b>SEt</b> <b>dEF</b>	TO RESET FACTORY DEFAULTS: POWER OFF, HOLD BUTTONS 2&3 POWER ON (DONE WHEN SET dEF SHOWS) INDIVIDUAL PARAMETERS ARE CHANGED THROUGH OTHER MENUS AS REQ'D	<b>SEt</b> <b>CAL</b>	TO SET CALIBRATION & RESET MEMORY: POWER OFF, HOLD BUTTONS 1,2&3 POWER ON (DONE WHEN SET CAL SHOWS) WARNING: TEMP CALIBRATION WILL BE OFF UNLESS T/C SIMULATOR (SET FOR 300°C) IS ATTACHED BEFORE TURNING POWER ON				
<b>COld</b>  	DISPLAYS DURING INITIAL STAGE OF PREHEATING THE OVEN (WILL NOT DISPLAY A TEMP LOWER THAN 140°F)								

## BAKE TIME VERSUS TEMPERATURE

1. Bake time is actually conveyor speed and is defined as the time the product is actually in the oven. This is measured by noting the time when the leading edge of the product enters the oven and the time the leading edge of the product leaves the oven. This is adjusted by using the conveyor speed controller.
2. Bake temperature is adjusted by changing the setpoint of the temperature controller to the desired bake temperature. When the oven reaches the desired temperature, the red dot in the lower right corner of the temperature display will turn off and on as the controller maintains the temperature.
3. When establishing a bake time and temperature for a given product, the general rule shall be as the bake time increases the bake temperature decreases and the reverse is also true; increase temperature, decrease time. However, there are limits to the above rule. Going to extremes will result in a burnt exterior and raw interior or it will result in a very light color but over-baked product.
4. Once a good bake has been established, the fine adjustments should be made by holding either the bake time or bake temperature constant, then varying the other.

## CONVEYOR SPEED

Bake Time (Conveyor Speed) - As stated previously, bake time (conveyor speed) is defined as the amount of time elapsed between the time the leading edge of the product enters the oven and the leading edge of the product exits the oven. Bake time is controlled by adjusting the digital speed controller. The setting on the control panel indicates the actual bake time.

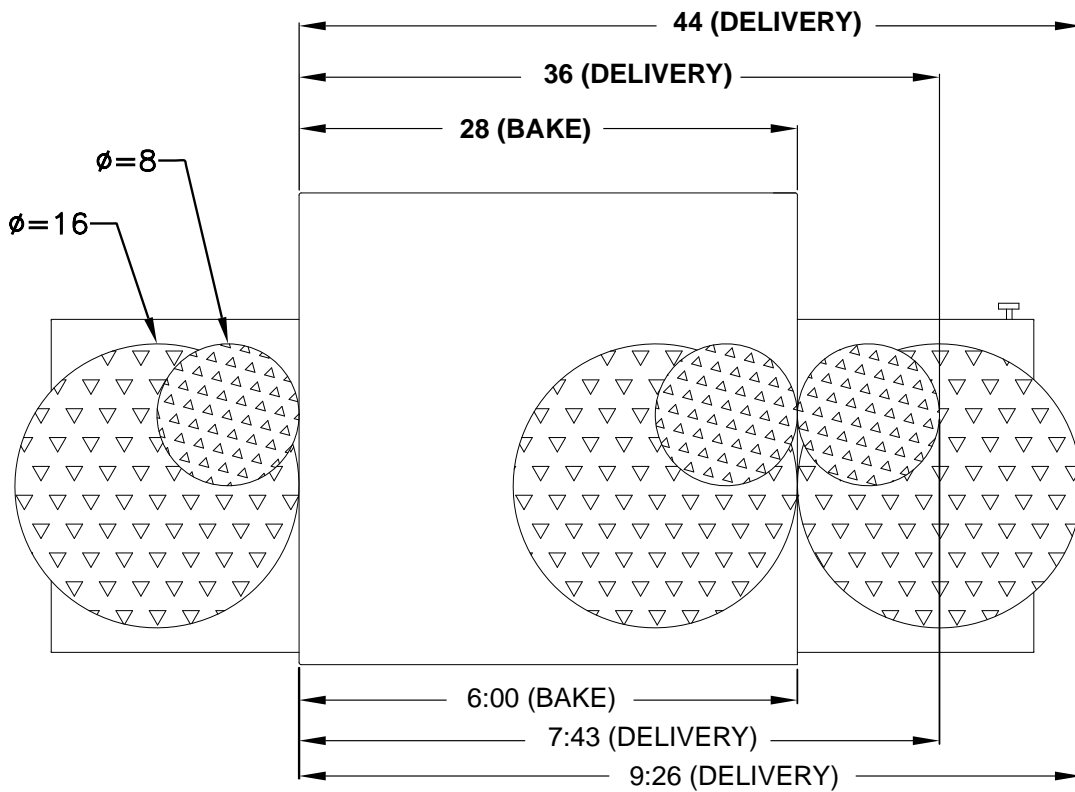
**Bake time will be the same for any size product.**

## TIME OF DELIVERY

The time of delivery is the amount of elapsed time between the period when the leading edge of the product enters the oven and the trailing edge of the product is fully discharged and is ready to be delivered to the customer.

**Time of delivery changes if the product size changes.**

**Tip:** Train yourself not to pull the product out of the oven when the leading edge comes out. Always wait until the entire product is out - the product needs this time to fully bake.



## BAKE vs. DELIVERY TIME

Time to Delivery changes with product  
but Bake Time remains constant  
at a steady conveyor speed.

## MAINTENANCE INSTRUCTIONS



**WARNING**

**DISCONNECT THE POWER SUPPLY BEFORE SERVICING OR CLEANING THIS OVEN. SAFEGUARD THE POWER SO IT CANNOT BE ACCIDENTALLY RESTORED. FAILURE TO DO SO COULD RESULT IN DISMEMBERMENT, ELECTROCUTION, OR FATAL INJURY. THERE IS MORE THAN ONE POWER SUPPLY CONNECTION POINT WHEN OVENS ARE STACKED, SO MAKE SURE THAT ALL SWITCHES ARE IN THE OFF POSITION BEFORE CLEANING OR MAINTENANCE.**

No electrical components should be subjected to moisture. It is therefore important that the oven is wiped down carefully. NEVER throw buckets of water over the oven or subject it to pressure washing from a hose or a pressure spray. If water or other liquid is spilled on the oven, make sure that none of it has entered the control box area before switching the oven ON. If in doubt, call your service company.



**CAUTION**

Adhere to the following warnings when cleaning or maintaining your gas conveyor oven:

1. The oven must be cool. Do not use power cleaning equipment, steel wool, or wire brushes on stainless steel surfaces.
2. Do not use a caustic or an alkaline base cleaner on the interior of the oven. This will ruin the aluminized finish of the oven interior.
3. When using cleaning solutions, be sure they meet local and national health standards.



**CAUTION**

**If the gas oven needs to be moved, the gas must be turned off and disconnected from the unit before moving the restraint. Reconnect the restraint after the oven has been returned to its original location.**

Follow this recommended cleaning schedule for proper oven performance:

### **DAILY**

1. Clean the conveyor belt using a nylon brush. Allow any foreign material to drop into the crumb pans.
2. Empty and clean the crumb pans. Use a hot water and detergent mix. Rinse with clean water.

### **EVERY MONTH**

1. Brush and clean the guard on the motor cooling fan.

### **EVERY THREE MONTHS**

1. Unplug the oven and disconnect gas connections.
2. Remove the crumb pans.
3. Remove the conveyor assembly.
4. Unlatch and remove the front door. Remove all internal airflow components.
5. Clean the oven interior with an appropriate oven cleaner.
6. Clean the conveyor assembly, crumb pans, and other removable components. Wash in a hot water, detergent mix and rinse with clean water. For difficult cleaning areas, use a heavy-duty de-greaser or oven cleaner.
7. Move the oven and clean under it. Be careful not to damage the oven's gas hose or electrical cords when moving.
8. Reassemble the oven.

### **EVERY TWELVE MONTHS**

A factory authorized service person should:

1. Open and clean the inside of the control box.
2. Check and tighten all electrical components.

If maintenance is required, contact your local service company, a factory representative, or Star Manufacturing.

## DIRECTIONS FOR DISASSEMBLY



1. Remove crumb trays and shelves from both ends.



2. Push the spring-loaded coupling in to disengage the pin in the shaft. Rotate the shaft so the pin will not go back in the coupling slots.



3. Lift up the left end of the conveyor frame so the crumb tray supports clear the tunnel opening. Push the conveyor frame through the tunnel opening.



4. Finish removing the conveyor assembly from the right end of the oven.



5. Upper finger assembly can be removed complete or the small handle (left) can be used to slide nozzle and columnating plate out before removing the main body.



6. Upper nozzle (with slot) and columnating plates (with tab). Extruded holes all point in the same direction (down toward the conveyor).



7. The lower finger assembly can be removed complete or the nozzle can be slid off to reveal the recessed columnating plate.



8. The columnating plate also has a slot that must align with a tab on the finger to ensure proper orientation. Extruded holes point up toward the bottom of the conveyor.



9. The oven body is now ready to be wiped clean. Reassemble the finger and conveyor parts in the reverse order after cleaning.

## CONVEYOR BELT TENSION

The conveyor belt of the Ultra-Max Gas Conveyor Oven does not have a tension adjustment. If the belt becomes too loose, a link will have to be removed to tighten. A belt that is too tight will also cause operational problems due to excessive drag. We suggest that you have a qualified service technician perform this adjustment.

### CAUTION

**Careful consideration should be exercised prior to removing a belt link because a belt that is too tight will impede the smooth operation of the conveyor.**

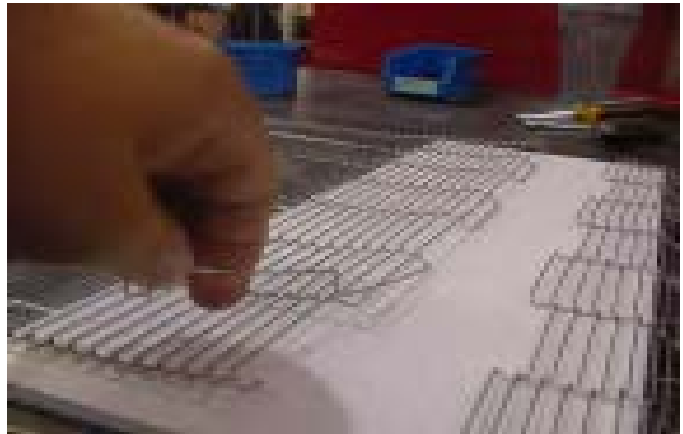


Remove the outside master links on the right and left sides of the conveyor belt. Remove the center splice clips next.

## CONVEYOR BELT LINK REMOVAL

An entire link can be removed with the conveyor assembly either in or out of the oven. This may be necessary as the belt stretches after continuous use. Following are the necessary steps for removing links:

1. Move the splice clips to either end of the oven for easy access.
2. Unhook the splice clips using long nose pliers.
3. Unhook the full link to be removed and slide it out. Do not discard the link removed as it may be used for making spare splice clips.
4. Reconnect the inside splice clips.
5. Reconnect the outside splice clips.
6. Replace all parts removed from the oven.
7. Straighten any bent wires to ensure smooth sprocket engagement.



Unhook the end loop and pull up on the link section. Save this link as it may be used for making splice clips.



Check the orientation of the splice clips (the hooks should be up). The belt shown is the top section, ready for left-to-right travel.



STAR MANUFACTURING INTERNATIONAL INC.  
#10 SUNNEN DRIVE, ST. LOUIS, MO. 63143, USA

MATERIAL

---

MODEL NO.

UM1854

PART NO.

2M-Z13317

DR. RDL CK. DATE 2010-02-10

FINISH

TITLE

LABEL, WIRING DIAGRAM

REVISIONS

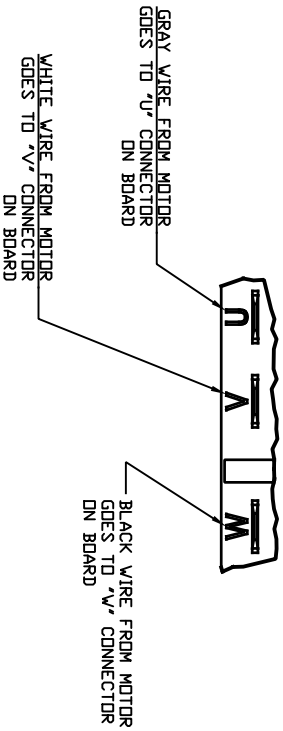
LTR DATE DESCRIPTION OF CHANGE

DR

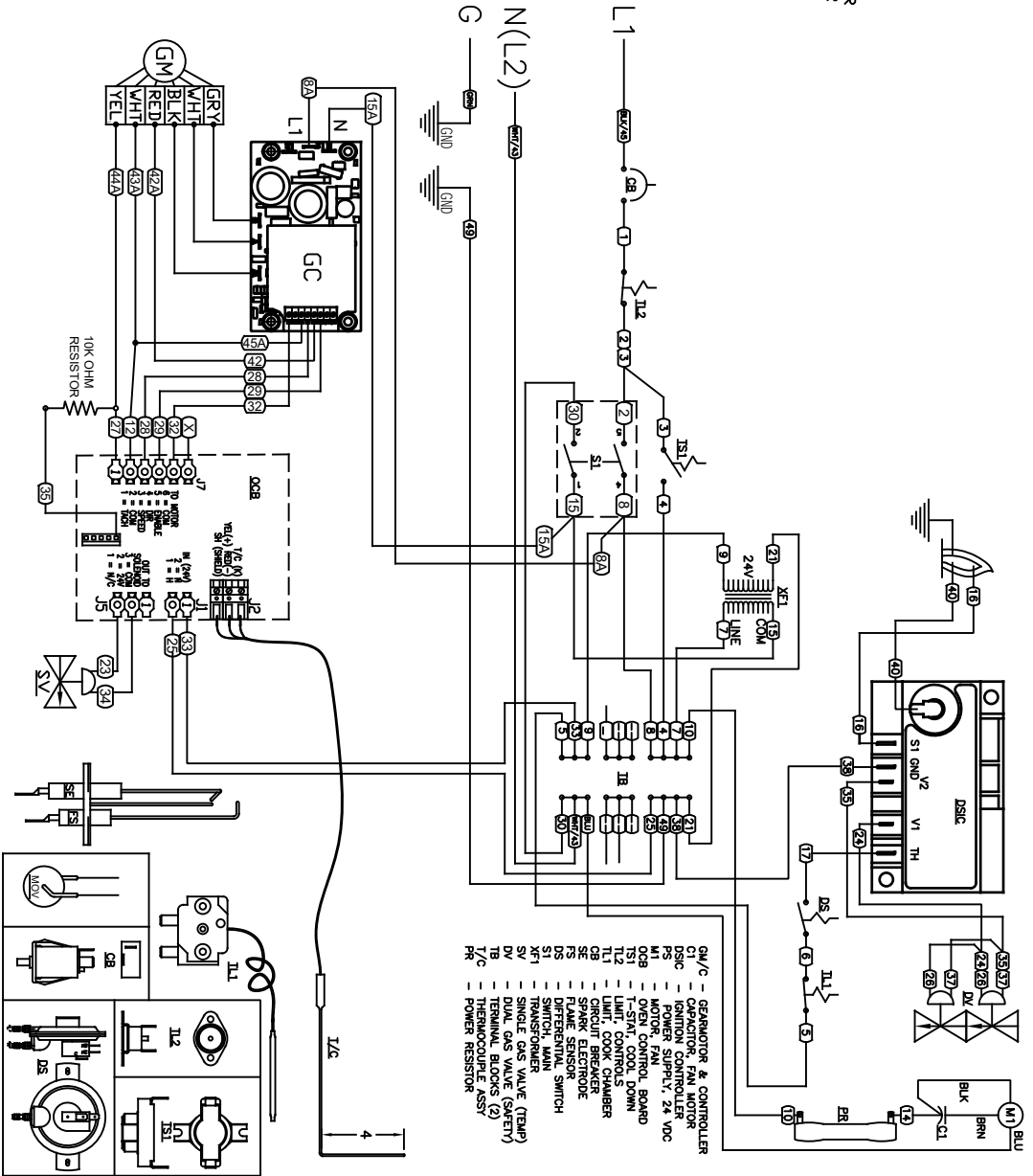
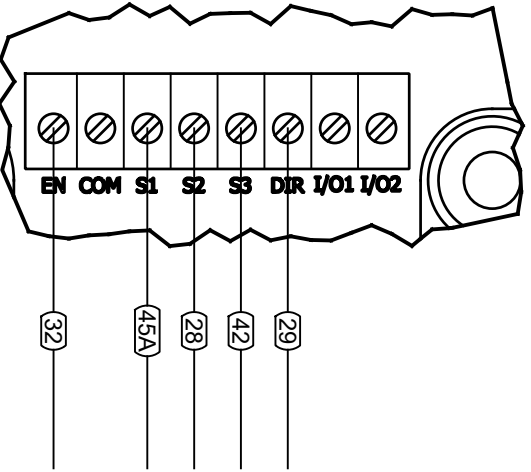
TOLERANCES UNLESS OTHERWISE NOTED  
FRACTIONS ± 1/64 DECIMALS ± .005

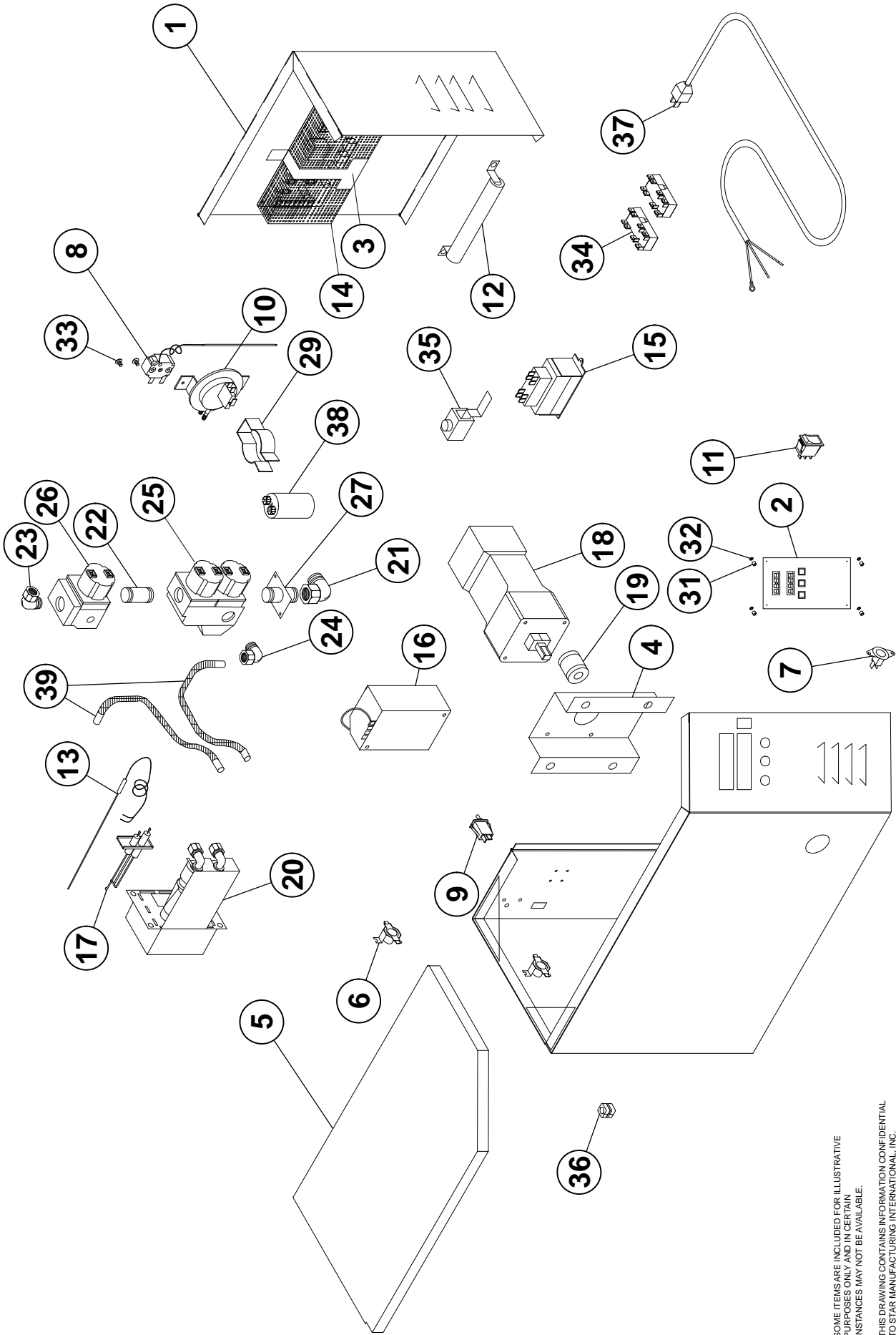
THIS DRAWING CONTAINS INFORMATION CONFIDENTIAL TO STAR MFG. INT'L. INC.  
NO REPRODUCTION OR DISCLOSURE OF ITS CONTENTS IS PERMITTED.

D ECN 16347  
3/28/18  
REVISED FOR 3 PHASE MOTOR CONTROLLER



GEARMOTOR CONTROLLER WIRING DETAIL





SOME ITEMS ARE INCLUDED FOR ILLUSTRATIVE PURPOSES ONLY AND IN CERTAIN INSTANCES MAY NOT BE AVAILABLE.  
 THIS DRAWING CONTAINS INFORMATION CONFIDENTIAL TO STAR MANUFACTURING INTERNATIONAL, INC. NO REPRODUCTION OR DISCLOSURE OF ITS CONTENTS IS PERMITTED.

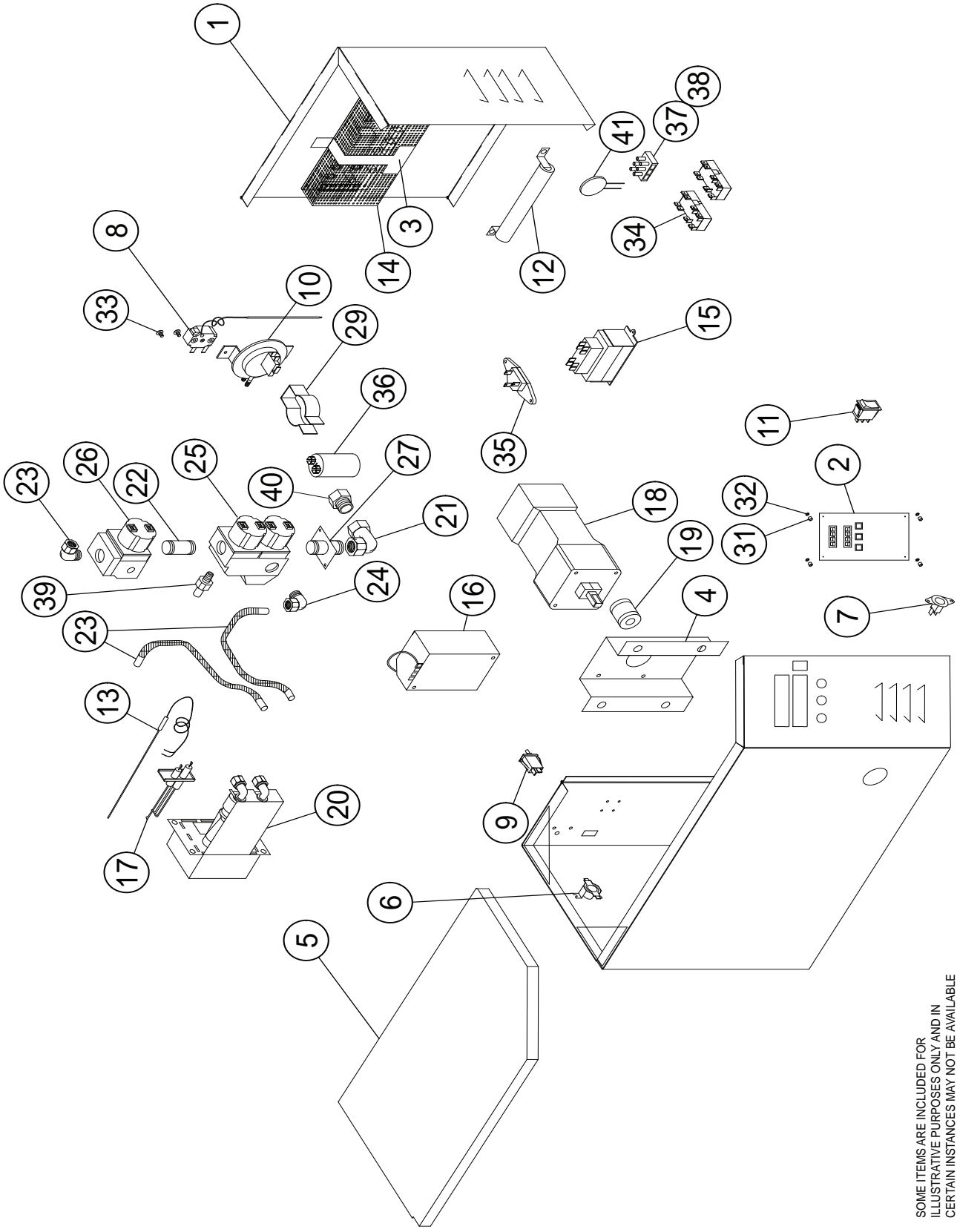
**MODEL UM1854**  
**CONTROL BOX ASSEMBLY**

# PARTS LIST

August 25, 2011, Rev. M

## Ultra-Max Gas Conveyor Oven

<b>UM1854</b>			
			Description
1	G9-GC0013	1	CONTROL BOX DOOR
2	PS-Z7718	1	TIME & TEMP CONTROLLER GAS OVEN 120V
3	G9-Z5250	1	POWER SUPPLY BRACKET
4	G9-Z5251 G9-Z13295	1	OBSOLETE GEARMOTOR BRACKET GEARMOTOR MOUNT BRACKET (FROM 07/27/10)
5	G9-Z5249	1	CONTROL BOX LID
6	2T-Z5175	1	THERMOSTAT, COOL DOWN, 120°F
7	2T-Z5176	1	THERMOSTAT, HI-LIMIT, 140°F
8	2T-Z5177	1	HIGH TEMPERATURE LIMIT
9	2E-Z5206	1	10AMP CIRCUIT BREAKER
10	2E-Z5683	1	VACUUM SWITCH
11	2E-Z1858	1	LIGHTED SWITCH
12	2E-Z5663	2	POWER RESISTOR BRACKETS
	2E-Z6607	1	POWER RESISTOR - 5 OHM
13	2J-Z5189	1	THERMOCOUPLE/TEMP PROBE
14	G9-Z6611	1	POWER SUPPLY - 24VDC (115V INPUT) MANUFACTURED BEFORE OCT. 2010
15	2E-Z5162	1	TRANSFORMER
16	PS-Z11800	1	KIT, IGNITION CONTROLLER (OBSOLETE)
16	PS-Z11801	1	KIT, IGNITION CONTROLLER (CE & UK) (OBSOLETE)
17	G9-Z5661	1	ELECTRODE SET
18	G9-EC0135	1	GEARMOTOR mfg from 04/18
	2U-Z10407		GEARMOTOR 40:1 UM1854Q-NATX, UM1854Q-LPX
	2U-Z5171		GEARMOTOR 500:1 24V DC, mfg before Oct 2010 UM1854-LP, UM1854-NAT
	2U-Z13292		GEARMOTOR 240:1 120VAC, mfg after Sept 2010 UM1854-LP, UM1854-NAT
	2U-Z13498		GEARMOTOR 40:1 120V UM1854Q-LP, UM1854Q-NAT
19	2A-Z6534	1	COUPLING
20	2F-Z5173	1	BURNER - NATURAL
	2F-Z5660		BURNER - PROPANE
	G9-Z5670		#33 ORIFICE (HI NATURAL) (INCLUDED IN BURNER)
	G9-Z5671		#56 ORIFICE (LO NATURAL)
	G9-Z5672		#50 ORIFICE (HI LP) (INCLUDED IN PROPANE BURNER)
	G9-Z5673		#66 ORIFICE (LO LP)
	<b>HIGH ALTITUDE LP</b>		
	2A-Y1255	1	#52 ORIFICE (HI LP) HIGH ALTITUDE
	2J-Z13829		#68 ORIFICE (LO LP) HIGH ALTITUDE
21	2K-Z667	1	PIPE ELBOW
22	2K-Z3381	1	PIPE NIPPLE
23	2K-Z5105	1	COMPRESSION ELBOW
24	2K-Z5106	1	COMPRESSION ELBOW
25	2V-Z5103	1	GAS COMBINATION VALVE - NATURAL - 24VAC
	2V-Z5659	KIT	PROPANE REGULATOR KIT
26	2V-Z5104	1	GAS SOLENOID VALVE - 24VAC
27	G9-GC0001	1	BULKHEAD FITTING
28	2V-Z5194	2	STAINLESS FLEX TUBE
29	2C-Z5195	1	CONDUIT HANGER
30	2E-Z5187	1	WIRING KIT (COMPLETE)
31	2K-Z1971	4	SPACER (.188)
32	2C-Z5427	4	SPACER (.120)
33	2C-Z0216	2	SCREW M4 (METRIC)
34	2E-Z4597	2	TERMINAL BLOCK
35	2C-Y2344	1	GROUND TERMINAL
36	2K-Y2968	1	BUSHING, CORD STRAIN RELIEF
37	2E-Z5172	1	CORD SET
38	2E-Z5181	1	CAPACITOR - FAN MOTOR
39	2V-Z5194	2	SS FLEX 3/8 X 1/2
NI	2E-Z5187	1	WIRING HARNESS, GEARMOTOR
NI	2M-Z5568	1	GRAPHIC, FRONT UM1854
NI	2W-Z5668	1	CANDLE, WHITE SMOKE, CONVY. OVEN START UP
NI	2E-Z22343	1	SPEED CONTROL



SOME ITEMS ARE INCLUDED FOR ILLUSTRATIVE PURPOSES ONLY AND IN CERTAIN INSTANCES MAY NOT BE AVAILABLE. THIS DRAWING CONTAINS INFORMATION CONFIDENTIAL TO STAR MANUFACTURING INTERNATIONAL, INC. NO REPRODUCTION OR DISCLOSURE OF ITS CONTENTS IS PERMITTED.

**MODEL - UM1854-CE, CONTROL BOX ASSEMBLY**

# PARTS LIST

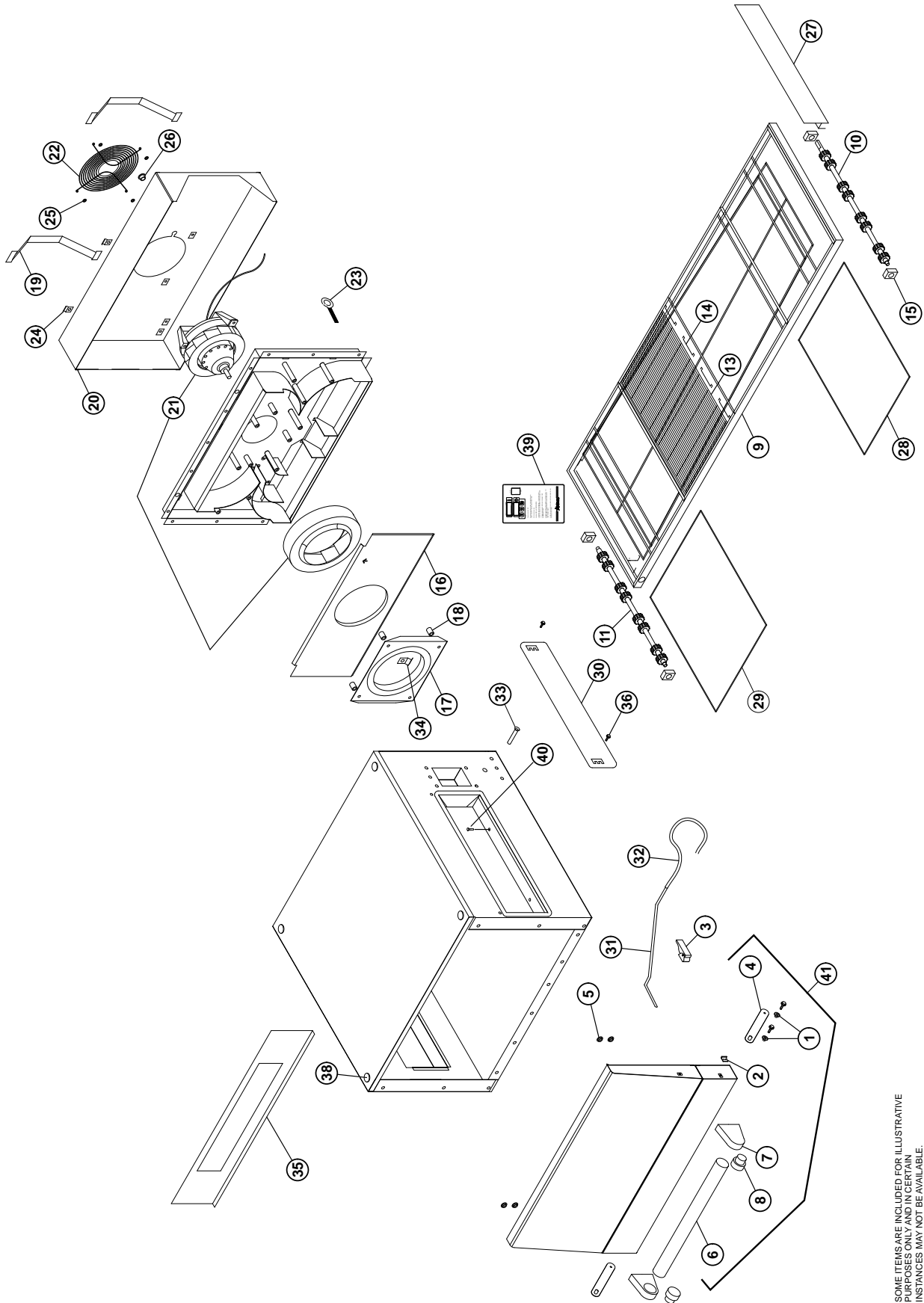
Ultra-Max Gas Conveyor Oven  
MODEL UM1854-NATCE - Control Box

Key Number	Part Number	Number Per Unit	Description
1	G9-GC0013	1	CONTROL BOX DOOR
2	G9-Z6606	1	TIME & TEMP CONTROLLER (GAS OVEN, 230V)
3	G9-Z5250	1	POWER SUPPLY BRACKET
4	G9-Z5251 G9-Z13295	1	GEARMOTOR BRACKET (OBSOLETE) GEARMOTOR BRACKET (FROM 04-2018)
5	G9-Z5249	1	CONTROL BOX LID
6	2T-Z5175	1	THERMOSTAT, COOL DOWN, 120°F
7	2T-Z5176	1	THERMOSTAT, HI-LIMIT, 140°F
8	2T-Z5177	1	HIGH TEMPERATURE LIMIT
9	2E-Z5206	1	10AMP CIRCUIT BREAKER
10	2E-Z5683	1	VACUUM SWITCH
11	2E-Z1858	1	LIGHTED SWITCH
12	2E-Z5642	1	POWER RESISTOR
	2E-Z5663	2	POWER RESISTOR BRACKETS
13	2J-Z5189	1	THERMOCOUPLE
14	G9-Z6610	1	POWER SUPPLY - 24VDC (230V INPUT), MANUFACTURED BEFORE OCT.
15	2E-Z6828	1	TRANSFORMER
16	2E-Z11786	1	IGNITION CONTROL, OVEN
17	G9-Z5661	1	ELECTRODE SET
18	G9-EC0135	1	GEARMOTOR (mfg from 04/2018)
19	2A-Z5164	1	COUPLING
20	2F-Z5173	1	BURNER - NATURAL
	G9-Z5670	1	#33 ORIFICE (HI NATURAL) (INCLUDED IN BURNER)
	G9-Z5671	1	#56 ORIFICE (LO NATURAL) (INCLUDED IN BURNER)
21	2K-2667	1	PIPE ELBOW (NPT)
22	2K-Z3381	1	PIPE NIPPLE
23	2K-Z5105	1	COMPRESSION ELBOW
24	2K-Z5106	1	COMPRESSION ELBOW
25	2V-Z6825	1	GAS COMBINATION VALVE - NATURAL - 24VAC
26	2V-Z5104	1	GAS SOLENOID VALVE - 24VAC
27	G9-GC0001	1	BULKHEAD FITTING
28	2V-Z5194	2	STAINLESS FLEX TUBE
29	2C-Z5195	1	CONDUIT HANGER
30	2E-Z6826	1	WIRING KIT (COMPLETE)
31	2K-Z1971	4	SPACER (.188)
32	2K-Z5427	4	SPACER (.120)
33	2C-Z0216	2	SCREW M4 (METRIC)
34	2E-Z4597	2	TERMINAL BLOCK
35	2E-Z3034	1	POWER CORD INLET
36	2E-Z5711	1	CAPACITOR - FAN MOTOR (INCLUDED WITH FAN MOTOR)
37	2E-Z5375	1	TERMINAL BLOCK
38	2E-Z6827	2	TERMINAL BLOCK MOUNTING PIN
39	2K-Z7221	1	GAS PRESSURE TEST NIPPLE
40	2K-Z7220	1	ADAPTER 1/2 NPT TO 1/2 BSP (FEMALE)
41	2E-Z6875	3	METAL OXIDE VARISTOR
NI	2N-Z5668	1	CANDLE, WHITE SMOKE, CONVEYOR OVEN START UP

**IMPORTANT: WHEN ORDERING, SPECIFY VOLTAGE OR TYPE GAS DESIRED  
INCLUDE MODEL AND SERIAL NUMBER**

PAGE 1  
OF 1

Some items are included for illustrative purposes only and in certain instances may not be available.



SOME ITEMS ARE INCLUDED FOR ILLUSTRATIVE PURPOSES ONLY AND CERTAIN INSTANCES MAY NOT BE AVAILABLE.

THIS DRAWING CONTAINS INFORMATION CONFIDENTIAL TO STAR MANUFACTURING INTERNATIONAL, INC. NO REPRODUCTION OR DISCLOSURE OF ITS CONTENTS IS PERMITTED.

**MODEL UM1854**  
**MAIN ASSEMBLY**

# PARTS LIST

August 25, 2011, Rev. M

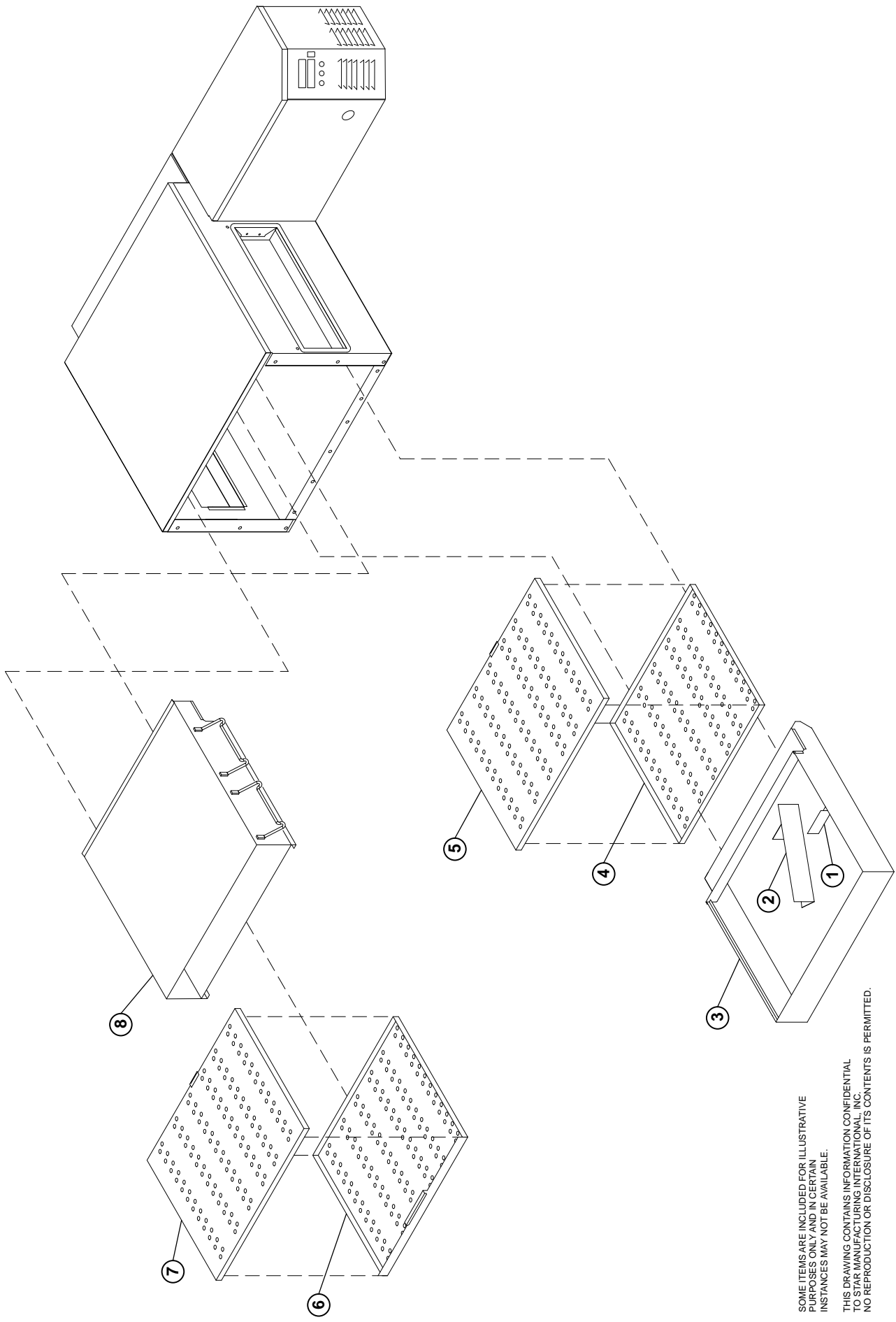
## Ultra-Max Gas Conveyor Oven

UM1854-NAT/LP MAIN ASSEMBLY				
Fig No	Part No	Qty	Description	Application
1	2C-Z3780	4	CONDUIT RETAINER	
2	2R-Z5188	2	LATCH KEEPER	
3	2R-Z5174	2	LATCH	
4	G9-Z5309	2	DOOR BRACE	
5	2P-09-WB-0003	4	PLUG CAP	
6	2V-Z5293	1	HANDLE TUBE	
7	2R-Z5279	1	HANDLE SUPPORT (PAIR)	
8	2P-Z5303	2	HANDLE INSERT PLUG	
9	G9-GC0024	1	CONVEYOR WELDMENT	
10	2A-Z6538	1	DRIVE SHAFT ASSEMBLY W/ SPROCKETS	Serial Number COG450107B0011 or after
	2A-Z6539			Serial Numbers before: COG450107B0011
11	2A-Z5586	1	IDLER SHAFT ASSEMBLY W/ SPROCKETS	
13	2B-Z5169	1	BELT - 10' SECTION	
14	2B-Z5170	4	BELT SPLICE CLIP	
15	2P-Z5168	4	BEARING	
16	G9-GC0040	1	FAN INLET PLATE	
17	G9-Z5338	1	FAN INLET BELL	
18	2A-Z5551	4	FAN INLET SPACER	
19	G9-Z5549	2	REAR BUMPER	
20	G9-GC0041	1	REAR COVER	
21	PS-Z8749	1	BLOWER MOTOR HEAT SHIELD KIT (115V)	
	PS-Z8750		BLOWER MOTOR HEAT SHIELD KIT (230V)	
22	2B-Z5607	1	REAR FAN GUARD (115V)	
	2R-Z11567		REAR FAN GUARD (230V)	
23	2C-Z5380	1	RESTRAINT EYEBOLT	
24	2C-Z3350	2	HALF CLAMP	
25	2C-Z5427	4	SPACER	
26	2K-H5417	1	BUSHING	
27	G9-Z5281	1	PAN STOP	
28	G9-Z11231	1	CRUMB TRAY, NARROW	on or after serial no. COG541007B0011
	G9-Z5282			before serial no. COG541007B0011
29	G9-Z11232	1	CRUMB TRAY, WIDE	on or after serial no. COG541007B0011
	G9-Z5283			before serial no. COG541007B0011
30	G9-Z5219	2	TUNNEL SHROUD	
31	2V-Z5573	1	DRAFT TUBE	
32	G9-Z5574	1	DRAFT TUBE HOSE	
33	2V-Z5575	1	HIGH LIMIT TUBE	
34	G9-Z5618	1	DRAFT TUBE CLAMP	
35	G9-GC0045	1	FLAME BAFFLE	
36	2C-Z5182	4	THUMB SCREW	
37	2C-Z5179	1	PLUNGER SETSCREW	
38	2P-Z1735	1	PLUG CAP	
39	2M-Z5569	1	INSTRUCTION LABEL	
40	2C-6349	4	SCREW #8X3/8 B THP STL NP	
41	G9-GC0029	1	DOOR ASSEMBLY, FRONT	

**IMPORTANT: WHEN ORDERING, SPECIFY VOLTAGE OR TYPE GAS DESIRED  
INCLUDE MODEL AND SERIAL NUMBER**

PAGE 1  
OF 1

Some items are included for illustrative purposes only and in certain instances may not be available.



SOME ITEMS ARE INCLUDED FOR ILLUSTRATIVE PURPOSES ONLY AND IN CERTAIN INSTANCES MAY NOT BE AVAILABLE.

THIS DRAWING CONTAINS INFORMATION CONFIDENTIAL TO STAR MANUFACTURING INTERNATIONAL, INC. NO REPRODUCTION OR DISCLOSURE OF ITS CONTENTS IS PERMITTED.

**MODEL UM1854**  
**FINGER ASSEMBLY**

# PARTS LIST

August 25, 2011, Rev. M

## Ultra-Max Gas Conveyor Oven

UM1854-NAT/LP FINGER ASSEMBLY				
Fig No	Part No	Qty	Description	Application
1	G9Z5516	1	LOWER FINGER BAFFLE	
2	G9GC0037	1	LOWER FINGER DIVERTER ASSEMBLY	
3	G9GC0035	1	LOWER FINGER WELDMENT	
4	G9GC0043	1	LOWER COLUMNATING PLATE	
5	G9Z5432	1	LOWER-FULL NOZZLE, PLATE	
6	G9Z5433	1	UPPER-FULL NOZZLE, PLATE	
7	G9GC0055	1	UPPER COLUMNATING PLATE ASSY	
8	G9GC0044	1	FINGER, UPPER - ASSY	

**IMPORTANT: WHEN ORDERING, SPECIFY VOLTAGE OR TYPE GAS DESIRED  
INCLUDE MODEL AND SERIAL NUMBER**

PAGE 1  
OF 1

Some items are included for illustrative purposes only and in certain instances may not be available.

**LIMITED EQUIPMENT WARRANTY**

Star Manufacturing [as well as its subsidiaries] warrants to the original purchaser of new Star products to be free from defects in material or workmanship, under normal and proper use and maintenance service as specified by Star and upon proper installation and start-up in accordance with the instructions supplied with each Star unit. Star’s obligation under this warranty is limited to a period of one [1] year from the date of original installation, or eighteen [18] months from original invoice date, whichever occurs first. Defects that occur as a result of normal use, within the time period and limitations defined in this warranty, will at Star’s discretion have the parts replaced or repaired by Star or a Star-authorized service agency.

**THIS WARRANTY IS SUBJECT TO ALL LISTED CONDITIONS**

Repairs performed under this warranty are to be performed by a Star authorized service agency. Star will not be responsible for charges incurred or service performed by non-authorized repair agencies. In all cases, the nearest Star-authorized service agency must be used. Star will be responsible for normal labor charges incurred in the repair or replacement of a warrantied product within 50 miles (80.5 km) of an authorized service agency. Time and expense charges for anything beyond that distance will be the responsibility of the owner. All labor will need to be performed during regular service hours. Any overtime premium will be charged to the owner. For all shipments outside the U.S.A. and Canada, please see the International Warranty for specific details. It is the responsibility of the owner to inspect and report any shipping damage claims, hidden or otherwise, promptly following delivery. No mileage or travel charges will be honored on any equipment that is deemed portable. In general, equipment with a cord and plug weighing less than 50 lb. (22.7 kg) is considered portable and should be taken or shipped to the closest authorized service agency, transportation prepaid.

**CONTACT**

Should you require any assistance regarding the operation or maintenance of any Star Manufacturing; phone, email or fax our service department. In all correspondence provide the model number and serial number of the unit needing service; include the voltage or gas type.

Normal Business Hours: 8:00 a.m. to 4:30 p.m. Central

Telephone: 800-264-7827 Tech Service Option 2

Email: [TechService@partstown.com](mailto:TechService@partstown.com)

[www.Star-Mfg.com](http://www.Star-Mfg.com)

**WARRANTY EXCLUSIONS**

**THE FOLLOWING WILL NOT BE COVERED UNDER WARRANTY.**

Star’s sole obligation under this warranty is limited to either repair or replacement parts, subject to the additional limitations detailed below. This warranty neither assumes nor authorizes any person to assume obligations other than those expressly covered by this warranty.

- Any product which has not been used, maintained, or installed in accordance with the directions published in the appropriate installation sheet and/or owner’s manual, including incorrect gas or electrical connection. Star is not liable for any unit which has been mishandled, abused, misapplied, subjected to harsh chemicals, modified by unauthorized personnel, damaged by flood, fire, or other acts of nature [or God], or which have an altered or missing serial number.
- Installation, labor, and job checkouts, calibration of heat controls, air and gas burner/bypass/pilot adjustments, gas or electrical system checks, voltage and phase conversions, cleaning of equipment, or seasoning of griddle surface.
- Replacement of fuses or resetting of circuit breakers, safety controls, or reset buttons.
- Replacement of broken or damaged glass components, quartz heating elements, and light bulbs.
- Labor charges for all removable and consumable parts in gas charbroilers and hotplates, including but not limited to burners, grates, and radiants.
- Any labor charges incurred by delays, waiting time, or operating restrictions that hinder a service technician’s ability to perform service.
- Replacement of parts that fail or are damaged due to normal wear or labor for replacement of parts that can be replaced during a daily cleaning routine, such as but not limited to silicone belts, PTFE non-stick sheets, control labels, knobs, bulbs, fuses, quartz heating elements, baskets, racks, and grease drawers.
- Any economic loss of business or profits.
- Non-OEM parts. Use of non-OEM parts without Star’s approval will void the warranty.
- Units exceeding one [1] year from original installation date, or more than eighteen [18] months from original purchase date, whichever comes first.

**ADDITIONAL WARRANTIES**

- Specific/chain-specific equipment may have additional and/or extended warranties.

PRODUCTS	PARTS	LABOR
Star Ultra Max ® fryers, griddles, charbroilers and hotplates	2 years	2 years
Star Max ® fryers, griddles, charbroilers and hotplates	2 years	2 years
Staltek™ roller grill coatings	5 years	
Cast iron grates, burners and burner shields	1 year	
Original Star, Toastmaster or Holman parts sold to repair equipment	90 days	

The foregoing warranty is in lieu of any, and all other warranties expressed or implied and constitutes the entire warranty.

**TENSION DE COURROIE DE CONVEYEUR**  
 La bande de convoyeur du Ultra-Max Gaz Convoyeur Four n'a pas un ajustement de tension. Si la ceinture devient trop lâche, un lien devra être enlevé pour serrer. Une ceinture qui est volontairement trop serrée également pose des problèmes opérationnels dus à la drague excessive. Nous proposons que vous fassiez effectuer à un technicien qualifié de service cet ajustement.

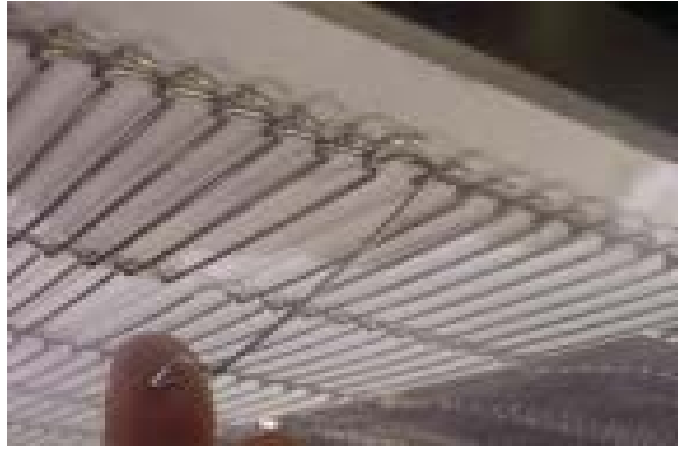
### ATTENTION

**La considération soignée devrait être exercée avant d'enlever un lien de ceinture parce qu'une ceinture qui est volontairement trop serrée empêche l'opération du convoyeur.**

### DÉPLACEMENT D'UN BANDE DE CONVEYEUR

Un lien entier peut être enlevé avec le convoyeur dans ou hors du four. Ceci peut être nécessaire pendant que la ceinture s'étend après utilisation continue. Suivre les étapes nécessaires pour des liens d'enlèvement:

1. Déplacez les épissures attaches à n'importe quelle extrémité du four pour l'accès facile.
2. Décrochez les épissures attaches en utilisant de longues nez pincés.
3. Décrochez le plein lien à enlever et glissez-le dehors. Ne jetez pas le lien enlevé en tant que lui peut être employé pour faire des rechange épissures attaches.
4. Rebranchez les épissures attaches d'intérieur.
5. Rebranchez les épissures attaches d'extérieur.
6. Remplacez toutes les pièces enlevées du four.
7. Pour assurer l'enclenchement doux de pignon, rendez tous les fils égaux.



Enlevez les maillons de jonction extérieurs des côtés gauches et droits de la convoyeur bande. Enlevez les centrales épissures attaches après.



Décrochez la boucle extrémité et tirez vers le haut sur la section de lien. Economiser ce lien comme il peut être employé pour faire des épissures attaches.



Vérifiez l'orientation des épissures attaches (les crochets devraient être vers le haut). La ceinture montrée est la section supérieure, préparé pour le voyage de gauche à droite.

## DIRECTIONS POUR LE DÉMONTAGE



1. Enlevez les plateaux et les étagères de miette des deux extrémités.



2. Poussez l'accouplement à ressort dans pour désengager la goupille dans l'axe. Tournez la goupille n'ira pas de nouveau dans les fentes d'accouplement.



3. Soulevez vers le haut l'extrémité gauche de l'armature de convoyeur ainsi des appuis de plateau de miette clairement l'ouverture de four. Poussez l'armature de convoyeur par l'ouverture de four.



4. Finissez d'enlever le convoyeur de la droite extrémité du four.



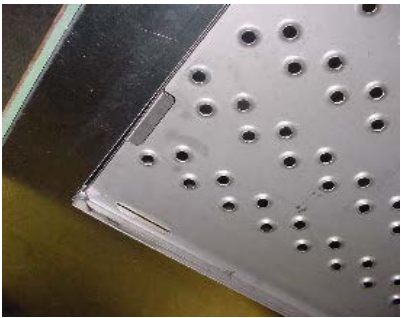
5. Le doigt supérieur peut être complet enlevé ou la petite poignée (gauche) peut être utilisée pour glisser le bec et le plat columnating dehors avant d'enlever le corps principal.



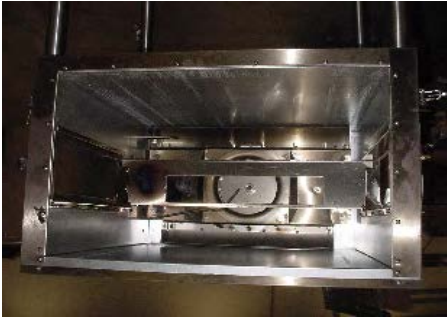
6. Bec supérieur (avec la fente) et plats columnating (avec plat d'alignement). Evier trous tout point dans la même direction (vers le bas vers le convoyeur).



7. Le doigt inférieur peut être enlevé complet ou le bec peut être enlevé pour indiquer le columnating enfoncé plat.



8. Le plat columnating a également une fente qui doit aligner avec une étiquette sur le doigt pour assurer l'orientation appropriée. Les trous expulsés se dirigent vers le haut vers le fond du convoyeur.



9. Le corps de four est maintenant prêt à être essuyé. Rassemblez les pièces de doigt et de convoyeur dans l'ordre d'inversion après nettoyage.

## INSTRUCTIONS D'ENTRETIEN



### ATTENTION

Suivez ces recommandations pour nettoyer et maintenir de four:

#### CHAQUE JOUR

1. Nettoyez la bande de convoyeur en utilisant une brosse en nylon. Permettez à n'importe quel matériel étranger de se laisser tomber dans les casseroles de miette.
2. Nettoyez les casseroles de miette. Employez une eau chaude et un mélange détergent. Rincez avec de l'eau propre.

#### CHAQUE MOIS

1. Balayez et nettoyez la garde sur le ventilateur de moteur.

#### TOUS LES TROIS MOIS

1. Débranchez le four et débranchez les raccordements de gaz.
2. Enlevez les casseroles de miette.
3. Enlevez le convoyeur.
4. Délacez et enlevez la porte avant. Enlevez tous les composants internes de flux d'air.
5. Nettoyez l'intérieur de four avec un détergent approprié de four.
6. Nettoyez le convoyeur, les casseroles de miette, et d'autres composants démontables. Lavez dans un mélange de détergent et l'eau chaude, rincez alors par de nettoyez l'eau. Pour des secteurs difficiles de nettoyage, employez un "solvant de graisse" ou le détergent de four.
7. Déplacez le four et nettoyez sous lui. Faites attention à ne pas endommager le tuyau de gaz ou les cordes électriques en se déplaçant.
8. Rassemblez le four.

#### TOUS LES DOUZE MOIS

- Une personne de service autorisée par usine devrait faire ce qui suit:
1. Ouvrez et nettoyez l'intérieur de la boîte de commande.
  2. Vérifiez et serrez tous les composants électriques.
- Si l'entretien est exigé, entrez en contact avec votre compagnie de services locale, un représentant d'usine, ou Star Manufacturing.

**DÉBRANCHEZ LA PUISSANCE AVANT D'ENTRETEINIR OU NETTOYER LA FOUR. SAUVEGARDEZ LA PUISSANCE AINSI ELLE NE PEUT PAS ÊTRE ACCIDENTELLEMENT RECONSTITUÉE. LE DÉMEMBREMENT, L'ELECTROCUTION, OU LA MORT PEUVENT SE PRODUIRE SI VOUS NE COUPEZ PAS LE COURANT. QUAND DES FOURS SONT EMPILÉS IL Y A LES RACCORDEMENTS DE PUISSANCE MULTIPLES, AINSI ARRÊTEZ TOUS LES FOURS AVANT LE NETTOYAGE OU L'ENTRETIEN.**

Aucun composant électrique ne devrait être soumis à l'humidité. Il est donc important que le four soit essuyé vers le bas soigneusement. Ne jetez jamais les seaux eau au-dessus du four ou soumettez-les à la pression délogant un d'une tuyau ou un pulvérisateur de pression. Si on renverse l'eau ou tout autre liquide sur le four, assurez-vous qu'aucune de lui n'est entrée dans le secteur de boîte de commande avant de brancher le four. En cas de doute, appelez votre compagnie de services.



### ATTENTION

Adhère aux avertissements suivants en nettoyant ou en maintenant votre four de convoyeur de gaz:

1. Le four ne doit pas être chaud. N'employez pas l'équipement de nettoyage de puissance, les laines en acier, ou les brosses métalliques sur des surfaces d'acier inoxydable.
2. N'employez pas un décapant bas caustique ou alkalin sur l'intérieur du four. Ceci ruinerait la finition aluminisée de l'intérieur de four.
3. En utilisant des solutions de nettoyage, soyez sûr qu'elles répondent à des normes locales et nationales de santé.



### ATTENTION

Si le four de gaz doit être déplacé, le gaz doit être arrêté et démonté à partir de l'unité avant de déplacer la contrainte. Rebranchez la contrainte après que le four ait été retourné à son endroit original.

## TEMPS DE CUISINIER CONTRE LA TEMPÉRATURE DE CUISINIER

## VITESSE DE CONVOYEUR

1. Le temps de cuisinier est réellement vitesse de convoyeur et est défini car le temps le produit est réellement dans le four. Ceci est mesuré en notant le moment où le principal bord du produit entre dans le four et le temps le principal bord du produit part du four. Ceci est ajusté en employant le contrôleur de vitesse de convoyeur.
2. La température est ajustée en changeant le setpoint du contrôleur de température en désiré font la température au four cuire. Quand le four atteint la température désirée, le point rouge dans le bon coin inférieur de l'affichage de la température s'allumera au loin et comme le contrôleur maintient la température.
3. En établissant un temps de cuisinier et une température pour un produit, la règle générale est que quand le temps de cuisinier augmente la température diminue. L'inverse est également vrai: Augmentez la température, diminuez le temps. Cependant, il y a des limites à la règle ci-dessus. La trop de chaleur ou temps peut avoir comme conséquence un produit brûlé.
4. Une fois un bon cuisinier a été établi, les ajustements fins devrait être fait en jugeant le temps de cuisinier ou la constante de la température de cuisinier, changeant alors l'autre.

Le temps de cuisinier sera le même pour n'importe quel produit de taille.

## TEMPS DE LA LIVRAISON

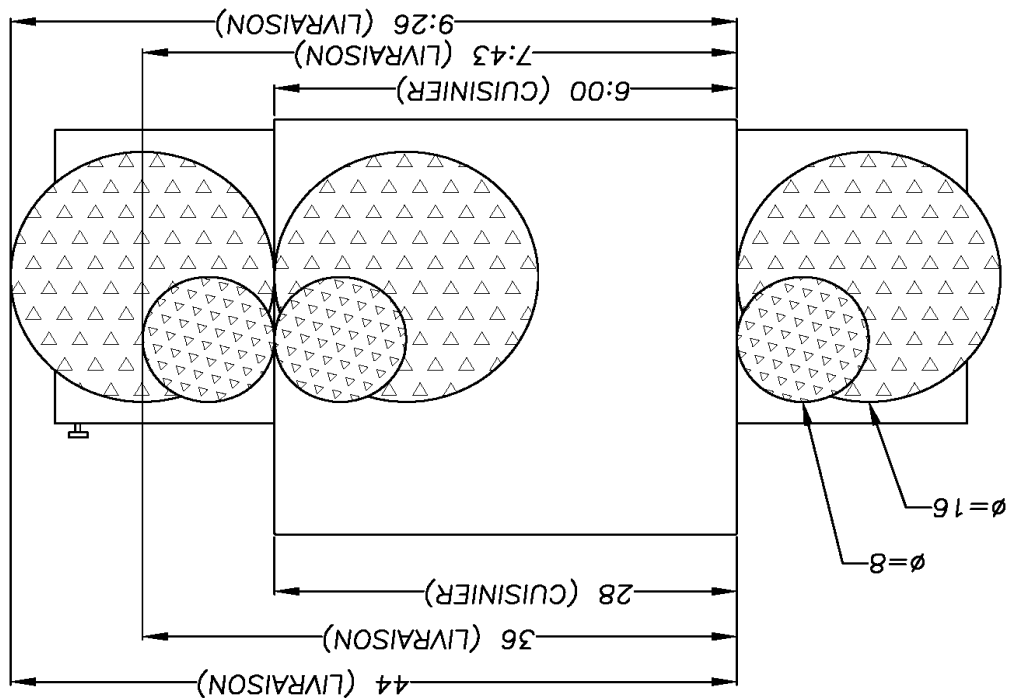
La temps de la livraison est la quantité de temps écoulé entre la période où le principal bord du produit entre dans le four et le rebord arrière du produit est entièrement déchargé et est prêt à être livré au client.

**La temps de la livraison change si la taille de produit change.**

Note: Rappelez-vous de ne pas tirer le produit hors du four quand le principal bord sort. Attendez toujours jusqu'à ce que le produit entier soit dehors - les besoins de produit cette fois de faire cuire entièrement.

## TEMPS DE CUISINIER CONTRE LA TEMPÉRATURE DE CUISINIER

Temps de Livraison changements avec de diverses nourritures  
 mais Temps de Cuisinier est constant avec  
 une vitesse régulière de convoyeur.



## L'INFORMATION D'AFFICHAGE

1. Stockez De Niveau - Les employés généraux En actionnant le four, il y a trois niveaux d'accès:

Tandis que le four fonctionne, entrez ce mode en tenant la DUNE et LEVEZ les flèches (↑) simultanément pendant quatre secondes. L'affichage de TEMPS va blanc et le setpoint de la TEMPERATURE est montré. Ajustez avec le bouton de (↻) bascule entre le TEMPS et la TEMPERATURE. Le paramètre qui peut être ajusté est montré, l'autre est blanc. Quand le TEMPS et la TEMPERATURE sont ajustés comme nécessaires, attendez cinq secondes et ECONOMISER est montré. Les valeurs sont acceptées et le contrôleur commence à commander à ces nouvelles valeurs. Le convoyeur continue à fonctionner à la même vitesse jusqu'à ce qu'une nouvelle valeur soit acceptée. Le rendement de commande de température devrait être arrêté pendant les changements.

2. Niveau De Directeur - C'est une serrure de sorte que le TEMPS et la TEMPERATURE ne puissent pas être changés même au "Stockez de Niveau." Tandis que le four fonctionne, entrez ce mode en tenant la DUNE et LEVEZ les flèches (↑) (↓) simultanément pendant quatre secondes. L'affichage de TEMPS va blanc et le setpoint de la TEMPERATURE est montré. Libérez la même vitesse. L'erreur de ceinture devrait tourner la température produite au loin et laisser le convoyeur fonctionnant à la même vitesse. L'erreur de ceinture devrait tourner la température produite au loin. L'erreur de vitesse devrait monter quand le moteur ne peut pas arranger à la vitesse choisie. Ceci pourrait se produire si on choisit une vitesse rapide que le moteur ne peut pas tourner assez rapidement pour réaliser. Le rendement de signal de vitesse demeurera le même mais l'affichage clignotera le message d'erreur.

## FONCTIONS ADDITIONNELLES

ce qui indique que les paramètres de TEMPS/TEMPERATURE peuvent être changés après atteinte du "Stockez de Niveau." "YES" indique que les paramètres ne peuvent pas être changés même après entrer le "Stockez de Niveau." L'arrangement de "LOC" peut être basculé utilisant le bouton de ENTREEZ (↻).

La direction de bande de convoyeur et l'affichage de la température peuvent être changés sur le four de convoyeur par un technicien qualifié. Pour changer la direction de ceinture, le technicien doit renverser la direction de moteur et tourner la bande de convoyeur pour la fonction appropriée de four. Un technicien peut également changer l'affichage de la température de Fahrenheit en Celsius. Ces changements peuvent être faits par le technicien pendant le start-up/check-out ou à une date ultérieure.

## CODES D'ERREUR

Les codes d'erreur montreront en tant que messages de clignotant des textes pour des buts diagnostiques. La n'importe quelle température ou erreur de thermocouple devrait tourner la température produite au loin et laisser le convoyeur fonctionnant à la même vitesse. L'erreur de ceinture devrait tourner la température produite au loin. L'erreur de vitesse devrait monter quand le moteur ne peut pas arranger à la vitesse choisie. Ceci pourrait se produire si on choisit une vitesse rapide que le moteur ne peut pas tourner assez rapidement pour réaliser. Le rendement de signal de vitesse demeurera le même mais l'affichage clignotera le message d'erreur.



LE CONTRÔLEUR NE SENT AUCUN SIGNAL DU THERMOCOUPLE



LE CONTRÔLEUR SENT UN ÉTAT DE SURCHAUFFE OU AUTRE ERREUR DE SONDÉ



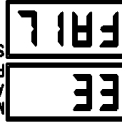
LE CONTRÔLEUR DEMANDE LA CHALEUR MAIS LA TEMPÉRATURE NE S'EST PAS ÉLEVÉE



LE MOTEUR EST ARRÊTÉ/BLOQUÉ OU AUCUN SIGNAL DE TACHYMÈTRE N'EST REÇU



LA VITESSE EST HORS DE GAMME MAIS LE MOTEUR FONCTIONNE



MESSAGE ALERTE: AFFICHAGES QUAND DES PROBLÈMES DE MÉMOIRE SONT DÉTECTÉS



POUR ALLER DE NOUVEAU AUX PRÉRÉGLAGES D'USINE: COUPEZ LE COURANT, APPUYEZ LES BOUTONS 2 ET 3, RÉTABLISSEZ LE COURANT (ÊTRE FAIT QUAND "SET DEF" RÉTABLISSEZ LE COURANT (ÊTRE FAIT QUAND "SET DEF" D'AUTRES MENUS COMME EXIGES



POUR PLACER LE CALIBRAGE ET CHANGER LA MÉMOIRE EN PRÉRÉGLÉZ: COUPEZ LE COURANT, APPUYEZ SUR LE BOUTON 1, 2, ET 3, RÉTABLISSEZ LE COURANT (ÊTRE FAIT QUAND "SET DEF" MONTRE), AVERTISSEMENT: LE CALIBRAGE DE LA TEMPÉRATURE SERA ÉTEINT À MOINS QUE LE SIMULATEUR DE THERMOCOUPLE (PLACÉZ POUR 300°C) SOIT ATTACHÉ AVANT DE RÉTABLIR LE COURANT



AFFICHAGES PENDANT L'ÉTAPE INITIALE DE PRÉCHAUFFER LE FOUR (L'AFFICHAGE NE MONTRERA PAS UNE TEMPÉRATURE PLUS BAS QUE 140°F)

11 Veuillez prendre le temps de lire les consignes de sécurité suivantes. Elles sont la clé au fonctionnement approprié de votre four à convection Ultra-Max.

## CONSEILS DE SÉCURITÉ



Pour votre sécurité, lire avant de faire fonctionner.

### Si vous sentez du gaz :

1. **NE PAS** essayer d'allumer tout appareil.
2. **NE PAS** toucher tout interrupteur électrique.
3. Utiliser un téléphone extérieur pour appeler immédiatement votre fournisseur de gaz.
4. Si vous ne pouvez contacter votre fournisseur de gaz, appelez le service des incendies.

### Dans le cas de panne de courant :

1. Éteindre tous les interrupteurs.
2. **NE PAS** essayer de faire fonctionner le four tant que le courant n'est pas restauré.

### Consignes générales de sécurité :

1. Si le four doit être déplacé, pour quelque raison que ce soit, veuillez débrancher l'alimentation électrique avant de le faire.
2. **NE PAS** retirer le couvercle de la boîte de commande à moins que le four soit débranché.

### FONCTIONNEMENT

Pour mettre le four en marche :

1. Mettre l'interrupteur d'alimentation à « ON » (MARCHÉ).
2. Dès que le ventilateur commence à accumuler de la pression, l'interrupteur de pression fournit l'alimentation au tableau de commandes afin d'enclencher le contacteur de l'élément de chauffage. Vous devriez entendre un « clic » du contacteur alors que l'élément commence à chauffer.

### Pour ajuster l'heure et la température :

1. Appuyer sur les flèches directionnelle HAUT et BAS (▲▼) en même temps. Maintenir pendant 4 secondes jusqu'à l'afficheur d'heure (TIME) s'efface.
2. Appuyer sur la touche ENTER (↵) pour basculer entre l'heure (TIME) et la TEMPÉRATURE.
3. Appuyer sur la flèche directionnelle HAUT (▲) afin d'augmenter, ou la flèche BAS (▼) pour réduire la TEMPÉRATURE ou l'heure (TIME). Maintenir l'une des deux touches pour des changements rapides d'afficheur.
4. Après cinq secondes, les nouveaux chiffres seront enregistrés et le four indiquera les nouveaux réglages.

### SÉLECTION DES OPTIONS DE CUISSON

1. Appuyer et maintenir ▲ pendant 1/2 seconde.
2. Appuyer sur ▲ de manière répétitive afin de sélectionner votre option de cuisson.
3. Appuyer sur ➡ pour accepter ou attendre et le réglage se réinitialisera.

OPTION DE CUISSON (COOKING OPTION)		
OPTION	TEMP	HEURE (TIME)
1	500 °F/260 °C	8:00
2	400 °F/204 °C	14:00
3	450 °F/232 °C	16:00
4	500 °F/260 °C	10:00
5	450 °F/232 °C	12:00
6	400 °F/204 °C	20:00

### Pour mettre le four hors fonction :

1. Mettre l'interrupteur d'alimentation à « OFF » (ARRÊTÉ). Le four dispose d'une fonctionnalité de refroidissement pour l'arbre du moteur et la protection du roulement. Cela permet au(x) moteur(s) du/des ventilateur(s) de fonctionner indépendamment de l'état du contrôleur. Le/les ventilateur(s) continueront de fonctionner jusqu'à ce que le four se refroidisse à une température sécuritaire.

Consult the manual for instructions to change option settings.  
Consultez le manuel pour les instructions afin de changer les réglages d'options.

RÉGLAGE SE RÉINITIALISERA.

3. APPUYER SUR ➡ POUR ACCEPTER OU ATTENDRE ET LE SÉLECTIONNER VOTRE OPTION DE CUISSON.

2. APPUYER SUR ▲ DE MANIÈRE RÉPÉTITIVE AFIN DE SÉLECTIONNER ET MAINTENIR ▲ PENDANT 1/2 SECONDE.

1. APPUYER ET HOLD ▲ FOR 1/2 SECOND.

2. PRESS ▲ REPEATEDLY TO CHOOSE YOUR COOKING OPTION.

3. PRESS ➡ TO ACCEPT OR WAIT AND SETTINGS WILL RESET.

**SÉLECTION D'OPTIONS DE CUISSON :**

ON / MARCHÉ

OFF / ARRÊTÉ

SELECTING COOK OPTIONS:

1. PRESS & HOLD ▲ FOR 1/2 SECOND.

2. PRESS ▲ REPEATEDLY TO CHOOSE YOUR COOKING OPTION.

3. PRESS ➡ TO ACCEPT OR WAIT AND SETTINGS WILL RESET.

SÉLECTION D'OPTIONS DE CUISSON :

1. APPUYER ET MAINTENIR ▲ PENDANT 1/2 SECONDE.

2. APPUYER SUR ▲ DE MANIÈRE RÉPÉTITIVE AFIN DE SÉLECTIONNER VOTRE OPTION DE CUISSON.

3. APPUYER SUR ➡ POUR ACCEPTER OU ATTENDRE ET LE RÉGLAGE SE RÉINITIALISERA.

Consult the manual for instructions to change option settings.  
Consultez le manuel pour les instructions afin de changer les réglages d'options.

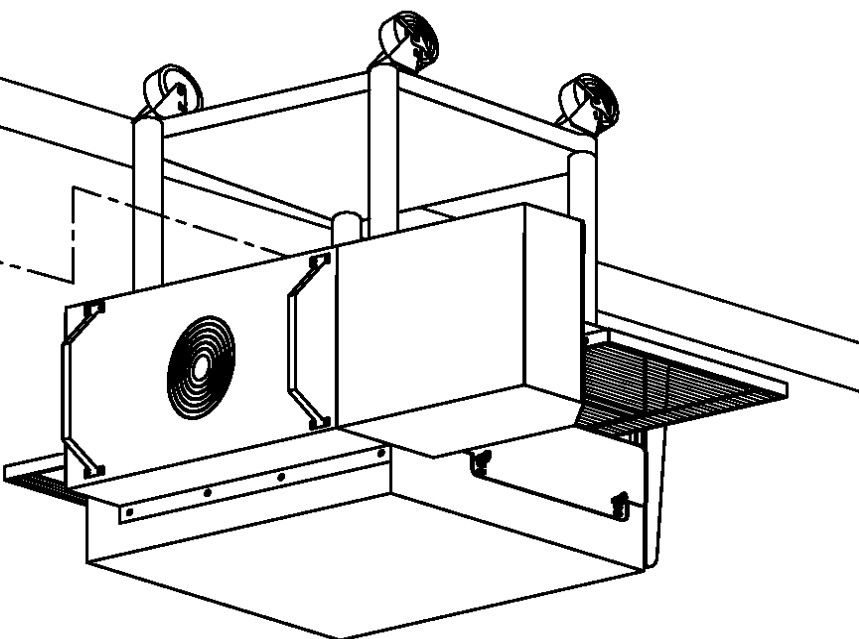
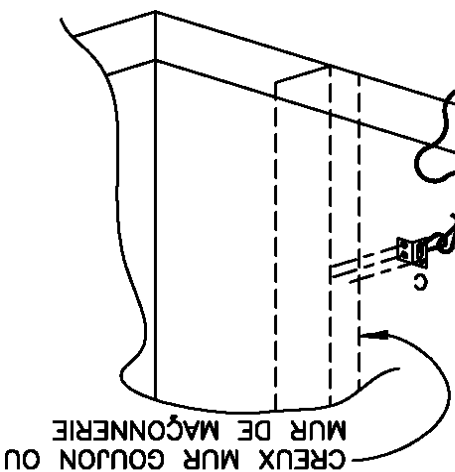
L'information contenue dans cette section est donnée pour l'utilisation des personnels exploitants qualifiés. Les personnels exploitants qualifiés sont ceux qui ont soigneusement lu l'information contenue en ce manuel, sont au courant des fonctions du four et/ou ont eu une expérience précédente avec l'opération de l'équipement décrit. L'adhérence aux procédures recommandées ci-dessus assurera l'accomplissement de l'exécution optimale et du long, sans panne service.

## CONSIGNES D'UTILISATION DE SÛRETÉ

L'information contenue dans cette section est donnée pour l'utilisation des personnels exploitants qualifiés. Les personnels exploitants qualifiés sont ceux qui ont soigneusement lu l'information contenue en ce manuel, sont au courant des fonctions du four et/ou ont eu une expérience précédente avec l'opération de l'équipement décrit. L'adhérence aux procédures recommandées ci-dessus assurera l'accomplissement de l'exécution optimale et du long, sans panne service.

**NE TRAVAILLEZ PAS AUTOUR DE LA BANDE DE CONVEYEUR AVEC DE LONGS CHEVEUX, HABILLEMENT LÂCHE, OU BIJOUX BALANÇANTS. SE FAIRE ATRAPER DANS LA CEINTURE A PU AVOIR COMME CONSÉQUENCE LE DÉMEMBREMENT OU LES DOMMAGES MORTELS.**

ATTENTION



## CONDITION DE CONTRAINTE

1. L'installation pour sera faite avec un connecteur de gaz qui est conforme aux codes locaux pour des connecteurs des appareils mobiles de gaz et un dispositif rapide qui est conforme aux codes locaux pour de tels dispositifs en service avec du carburant de gaz.
2. L'installation de la contrainte doit limiter le mouvement des fours en dehors selon le connecteur, le dispositif rapide ou la tuyauterie associée pour limiter le mouvement de four.
3. Si la contrainte doit être débranchée pendant l'entretien ou le nettoyage, elle doit être rebranchée après que le four ait été remis en son position à l'origine installée.

## CONSIGNES D'UTILISATION

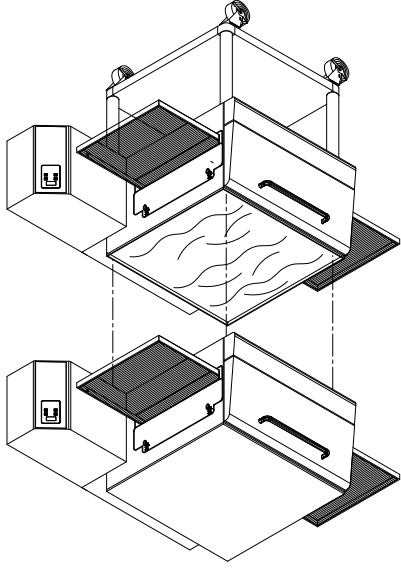
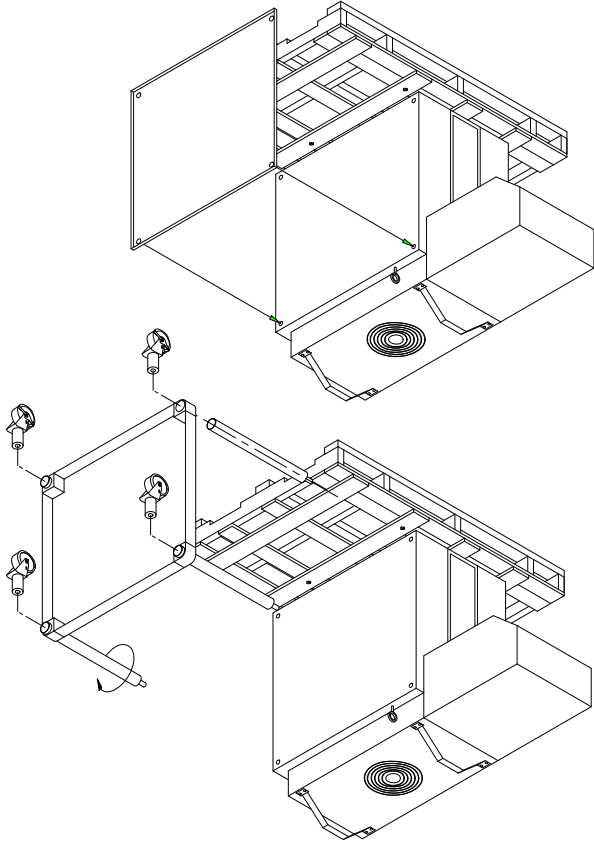
**N'ESSAYEZ PAS D'ACTIONNER LE FOUR** jusqu'à ce que le raccordement du service et de l'installation de service ait été entièrement inspecté (contrôle de mise en train) par un technicien autorisé de service ou un technicien de service d'étoile afin d'assurer le four est correctement installé et dans l'ordre d'entretien. La garantie devient efficace lors de la vérification de l'installation appropriée.



## ATTENTION

## Le Four Empilé Installe La Préparation:

1. Enlevez la porte, le convoyeur, et les doigts.
2. Déverrouillez l'unité de la caisse d'expédition (4 boulons).
3. Tournez l'unité sur l'avant comme montré.
4. Enlevez le dessus du four inférieur (4 vis se montent, 2 avant et arrière) et boulonnez à la base empliée de four avec 5/8 - 11 boulons (4, inclus).
5. Placez le four supérieur sur l'unité inférieure et le rattachez avec des vis pour le dessus du four inférieur.
6. Employez la contrainte sur le plus bas four pour empêcher toutes les charges élevées qui pourraient incliner la pile de four.



1. Le four et son robinet d'isolement manuel individuel doivent être démontés du système siffiant d'offre de gaz pendant tous les essais sous pression de ce système à la pression d'essai au-dessus du principal de gaz ou la canalisation d'alimentation principale de gaz.
2. Le four doit être isolé dans le système d'offre de gaz en fermant son robinet d'isolement manuel individuel pendant tous les essais sous pression égale à ou au moins de 1/2 psig (kPa 3.45).
3. Si la pression entrante est plus de colonne de l'eau de 14", un régulateur séparé pour le four doit être installé avant la fourniture de gaz au four. Il doit régler la pression au maximum de colonne de l'eau de 11" (mBar 27.1).

**AVERTISSEMENT: Pour empêcher des dommages au régulateur de soupape de commande pendant la mise en fonction initiale du gaz, il est très important d'ouvrir le robinet d'isolement manuel très lentement. Après la mise en fonction initiale de gaz, le robinet d'isolement manuel doit rester ouvert excepté pendant les essais sous pression conformément aux étapes ci-dessus ou si nécessaire pendant l'entretien de service.**

Les instructions suivantes devraient être suivies en emplant plus d'une unité.

## Installation Simple de Chariot de Four (ou le Fond):

1. Enlevez la porte, le convoyeur, et les doigts.
2. Déverrouillez l'unité de la caisse d'expédition (4 boulons).
3. Tournez l'unité sur l'avant comme montré dans le schéma à la page suivante.
4. Glissez les jambes dans l'étagère de stand et filetez les jambes dans le fond du four.
5. Installez les roulettes sur le fond des jambes. Placez les roulettes avec des freins à l'avant.
6. Placez l'étagère comme désirée et attachez aux jambes.
7. Soulevez SOIGNEUSEMENT de four.

## ESTIMATION ET CLASSEMENT PAR TAILLE DE GAZ

Les calculs pour le classement par taille de pipe doivent tenir compte du taux maximum d'utilisation de tous autres appareils dans la cuisine ou un ou plusieurs des appareils souffrira de l'exécution insatisfaisante ou dangereuse. Le raccordement 1/2" de NPT pour le four est à généralement classé pour l'usage dans la boîte de commande du four. Cependant, à moins que l'installation de four soit à moins de 10 pieds de l'offre de gaz principale de bâtiment, l'approvisionnement doit être plus grand. Pour chaque four, un rapide flexible de NPT de 3/4" relie le tuyau et le plein robinet d'isolation gauche de gaz est recommandé comme MINIMUM. La pipe principale fournissant chaque branche de four peut devoir être plus grande selon le nombre d'appareils entretenus, le nombre de coudes dans la tuyauterie et la pression. Ceci devrait être classé et installé par un au courant de professionnel de tous les codes locaux qui peuvent également affecter l'installation.

## ACCÈZ AUX CONSIDÉRATIONS

En localisant les clapets à gaz, reliez vite les tuyaux et les sorties électriques à l'extrémité de boîte de commande du four permettront un accès plus facile pour toutes les visites de service. Cet accès amélioré devrait rendre n'importe quel service nécessaire plus rapide ayant pour résultat moins de rupture de cuisine. Il permettra également un débanchage plus facile de l'électricité, du gaz et des contraintes pour nettoyer autour et derrière du four.

## RACCORDEMENT ÉLECTRIQUE

Avant d'établir tous les rapports électriques à cette unité, vérifiez que l'alimentation d'énergie est proportionnée pour la tension, l'ampérage, et les conditions de phase indiquées de la plaque de contrôle. Un diagramme de câblage est inclus sous ce pli.

## RÈGLEMENT ET ESSAI DE PRESSION

Une fois installé, cet appareil doit être électriquement fondu et son installation doit être conforme au Code de Electric de National, au ANSI-NFPA 70, à la dernière version, aux instructions d'installation du fabricant, et aux codes municipaux locaux applicables de bâtiment. Au Canada, tous les raccordements électriques sont d'être conformes CSA C22.1 - le Part 1 de Code de Electrical de Canadian et/ou des codes locaux.

Chaque four a été ajusté à l'usine pour fonctionner avec le gaz naturel. Des pièces peuvent être achetées pour la conversion pour l'usage avec du propane. Chaque four est fourni avec un régulateur pour maintenir la pression de gaz appropriée. Le régulateur est essentiel à l'opération appropriée du four et ne devrait pas être enlevé. Une lecture de pression peut être prise à un des ports 1/8" d'essai de NPT du fond ou du côté de la vanne mixte. La lecture devrait être prise tandis que le four rechauffe. Le régulateur est situé sur le fond de la vanne mixte de gaz, juste à l'intérieur de la boîte de commande. Il n'y a aucun besoin d'installer un régulateur additionnel où le four se relie à l'offre de gaz à moins que l'approvisionnement excède le maximum.

NOTE: Le régulateur fourni est évalué pour une maximum gaz pression de 14" d'eau colonne (34.5 mBar). La pression maximum recommandée de gaz est 12" d'eau colonne (29.9 mBar).

L'installation doit se conformer aux codes locaux, ou en l'absence de local code, avec le National Fuel Gas Code, NFPA54/ANSI Z223.1 - Latest Edition, le Natural Gas Installation Code CAN/CGA-B149.1 ou le Propane Installation Code, CAN/CGA-B149.2 comme applicable.

## VENTILATION

UNPASSAGE EST EXIGÉ: Les codes locaux régissent. Ce sont l' "autorité ayant la juridiction" comme indiqué par le National Fire Protection Association, Inc. dans le NFPA 96-Latest Edition. Pour davantage d'information de ventilation voir ci-dessous.

Un capot de ventilation est exigé pour enlever la chaleur et des odeurs de cuisine. Pour des fours de gaz, un capot de ventilation est également exigé pour enlever les produits de la combustion. Le capot et l'installation de la HVAC doivent rencontrer des codes locaux pour gagner l'approbation par l'autorité ayant la juridiction. Les conditions peuvent changer dans tout le pays selon l'endroit par la ville, le comté, et l'état. Obtenez l'information de l'autorité ayant la juridiction pour déterminer les conditions pour votre installation. Obtenez les copies de l'information et de revue des codes ou des documents qui seront employés pour inspecter et approuver votre installation. Votre fournisseur de capot de ventilation et entrepreneur de la HVAC devraient être contactés pour fournir des conseils. Un capot correctement machiné et installé de ventilation et le système de la HVAC expédieront l'approbation et réduiront des coûts d'entretien de four. La ventilation appropriée est la responsabilité du propriétaire du four.

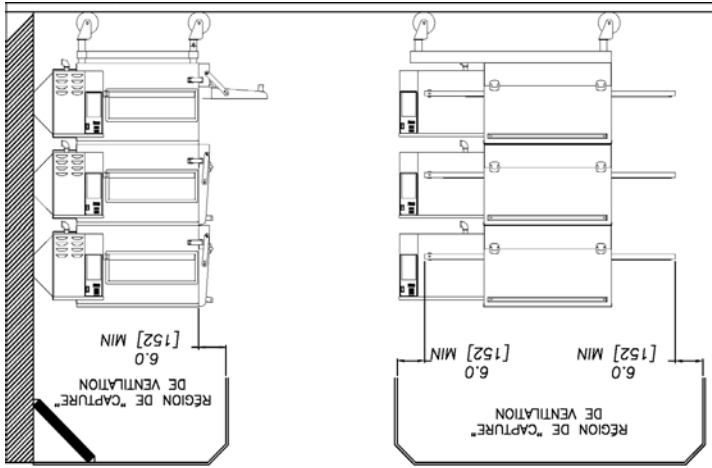
Le capot de ventilation doit fonctionner en harmonie avec le système de HVAC de bâtiment. Il exige typiquement l'échappement entre 750 et 2500 CFM. (l'efficacité de diverses conceptions de capot le rend nécessaire d'indiquer un éventail si du ventilateur CFM.) De l'air de maquillage doit être fourni une conception de capot ou le système de HVAC pour éviter un état négatif de pression. Ceci changera avec des capots de divers fabricants.



### ATTENTION

**Empêchez le flux d'air par le tunnel à cuire. De l'air ne doit pas être dirigé sur le four avant ou arrière ou vers le côté du secteur à cuire.**

Le schéma suivant montre une installation typique et est prévu pour être une directive. Ce n'est pas des spécifications rigides. Les dimensions de capot et le positionnement au-dessus du four changeront avec le fabricant de capot.



### ESSAI DE BOUGIE DE FUMÉE

Afin de vérifier la fonction approuvée de votre système de ventilation, un essai de bougie de fumée devrait être fait. Si examinant un système multiple de four, cet essai devrait être fait sur le four inférieur. L'accouplement de convoyeur devrait être réglé et la température de four doit être réglée et fonctionnant à un minimum de 480°F (249°C).

### Méthode D'essai:

1. Gants anti-caloriques d'usage pour empêcher des brûlures.
2. Mettez la bougie de fumée dans un 8"x8"x2" moule à gâteaux.
3. Passez la bougie dans le tunnel de convoyeur ou la porte de four. (Employez la bougie de fumée Star 2W-5668.)
4. Allumez le fusible de la bougie de fumée et centrez immédiatement la casserole dans la cavité de four sur la bande de convoyeur (maintenant la porte de four fermée).
5. Observez le modèle de fumée sortir de toutes les ouvertures de four et de la collection de cette fumée par le système de ventilation.
6. **Toute la fumée du four doit être capturée par le système de ventilation.**

## L'INFORMATION D'INSTALLATION

LES INSTRUCTIONS D'INSTALLATION CONTENUES CI-DESSUS SONT POUR L'USAGE DU PERSONNEL QUALIFIÉ D'INSTALLATION ET DE SERVICE SEULEMENT. L'INSTALLATION OU LE SERVICE PRÈS AUTRE QUE LE PERSONNEL QUALIFIÉ PEUT AVOIR COMME CONSÉQUENCE LES DOMMAGES AU FOUR ET/OU AUX DOMMAGES À L'OPÉRATEUR.

Le personnel qualifié d'installation est des individus,

une société, une société, ou une compagnie que chez la personne ou par un représentant sont engagés

dedans, et responsable de :

1. L'installation ou le remplacement de la tuyauterie de gaz et du raccordement, de l'installation, de la réparation ou de l'entretien de l'équipement.
2. L'installation du câblage électrique du mètre électrique, de la boîte de commande principale ou de la sortie de service à l'appareil électrique.

Le personnel qualifié d'installation doit être expérimenté dans un tel travail, au courant de toutes les précautions prises, et s'est conformé à toutes les conditions de l'état ou des autorités locales ayant la juridiction.

## ENDROIT

Le placement bien projeté et approprié de votre four aura comme conséquence la convenance d'opérateur à long terme et l'exécution satisfaisante.

NOTE: Sur des fours de convoyeur de gaz, l'entretien de routine peut habituellement être accompli dans le mouvement limité fourni par la conduite de tuyau de gaz. Si le four doit être déplacé plus loin du mur, le gaz doit d'abord être arrêté et démonté du four avant d'enlever la conduite. Rebranchez la conduite après que le four ait été remis en sa position régulière.

- Il est essentiel qu'à air proportionnée au four soit maintenue pour fournir un écoulement suffisant d'air de combustion et de ventilation. Suivez ces directives :
1. Placez le four dans un secteur qui est exempt d'ébauches.
  2. Maintenez le secteur de four libre et dégagé de tous les combustibles tels que le papier, le carton, et les liquides inflammables et les dissolvants.
  3. Ne placez pas le four sur une base ou un joint de bord à un mur. Ceci limitera l'écoulement d'air et empêchera la ventilation appropriée aux turbines. Cette condition doit être corrigée pour empêcher des dommages permanents au four.
  4. Sur tous les modèles, le déclenchement du dispositif thermique de la surcharge de la turbine indique une température ambiante excessive au fond du four. Cette condition doit être corrigée pour éviter d'endommager permanent le four.

## ATTENTION



**Le manque d'exhaler correctement le four peut être dangereux à la santé de l'opérateur et peut avoir comme conséquence des problèmes opérationnels, le traitement au four insuffisant et des dommages possibles à l'équipement.**

Des dommages soutenus comme résultat direct de ventilation inexacte ne seront pas couverts par la garantie.

## LA RESPONSABILITÉ DE L'ACHETEUR

Il est de la responsabilité de l'acheteur:

1. Pour voir que le gaz et les services électriques pour le four sont installés sur l'emplacement selon les caractéristiques du fabricant.
2. Pour décharger, désempaqueter, et installer le four dans son endroit approprié et selon ce manuel d'opération d'installation.
3. Pour voir que tous les gaz et services électriques sont reliés correctement par un installateur qualifié de votre choix. Tous tels raccordements doivent être conformes aux conditions applicables de code.
4. Pour assurer le contrôle d'inspection et d'opération par un technicien autorisé de service. La garantie devient efficace lors de la vérification de l'installation appropriée.

## L'INFORMATION IMPORTANTE DE SÛRETÉ

N'essayez pas d'actionner le four jusqu'à ce que le raccordement du service de service ait été entièrement inspecté par un technicien autorisé de service ou un technicien de Star. Ce service est exigé par le Star afin d'aider l'acheteur dans la mise en train appropriée du four sur l'emplacement. Veuillez noter les détails spécifiques sur la garantie et assurez-vous que des rapports de service sont établis aux services de service appropriés.

La garantie ne s'appliquera pas si le four est commencé vers le haut et actionné avant les utilisations et le four étant inspectés et le contrôle fait par un technicien autorisé de service ou un technicien de Star.



### ATTENTION

L'INSTALLATION INEXACTE, L'AJUSTEMENT, LE CHANGEMENT, LE SERVICE, OU L'ENTRETIEN PEUVENT CAUSER DES DÉGÂTS MATÉRIELS, DES DOMMAGES, OU LA MORT. LISEZ TOUTES LES INSTRUCTIONS COMPLÈTEMENT AVANT D'INSTALLER OU ENTREtenir CET ÉQUIPEMENT.

### ATTENTION



Signalez dans un endroit en avant le numéro de téléphone de secours de votre fournisseur et instructions locaux de gaz d'être suivi en cas que vous sentez le gaz. Si l'odeur du gaz est détectée, appelez immédiatement le numéro de téléphone de secours de votre compagnie locale de gaz. Ils auront le personnel et les dispositions disponibles pour corriger le problème.

### ATTENTION



On l'exige que le four soit placé sous un capot de ventilation pour prévoir à air et à ventilation proportionnées.

### ATTENTION



Des dégagements minimum doivent être maintenus tous les murs et matériaux combustibles. Les dégagements minimum pour cette unité devraient être à 0 pouces de l'arrière (les butoirs arrière fournis doivent être en place) et à 6 pouces des deux côtés. Maintenez le four libre et dégagé de tout le matériel combustible.

### ATTENTION



À dégagement proportionné pour des ouvertures d'air à la chambre de commande de combustion du bon côté du four est exigé. N'observez pas de ventilation trous dans les panneaux de commande en tant que derniers fournissent d'air de combustion les pour le brûleur et air de refroidissement pour les commandes.

### ATTENTION



Le four doit être actionné seulement sur le type du gaz et d'électricité montrés du plat de spécifications. Le brûleur ne fonctionnera pas et le gaz ne traversera pas le brûleur sans énergie électrique.

L'installation de l'appareil doit se conformer au NATIONAL FUEL GAS CODE "ANSI Z223.1 - LATEST EDITION" et TOUTES LES RÉGLES ET RÉGLEMENTS de LOCAL GAS COMPANY.

AU CANADA L'INSTALLATION SERA CONFORME AU COURANT CAN/CGA-B149.1 CODE D'INSTALLATION DE GAZ NATUREL OR CAN/CGA-B149.2 CODE D'INSTALLATION du PROPANE ET CODES LOCALS LÀ OÙ APPLICABLE.

## NOTIFICATION

Cet appareil doit être installé avec un stand et des roulettes conçus par le Star Manufacturing en tant qu'élément d'une installation complète. L'installation doit également inclure un connecteur étant conforme au ANSI Z21.69 ou au CAN/CGA-6.16 et à un dispositif rapide étant conforme au ANSI Z21.41 ou au CAN1-6.9. Elle doit également être installée avec des moyens retenants de garder contre la transmission de la contrainte au connecteur, comme indiqué dans les instructions du fabricant d'appareils.

**Pour votre protection, nous recommandons une agence de installation qualifiée installer cet appareil. Avec eux devraient être familiers des installations de gaz et vos conditions locales de gaz. De toute façon, votre compagnie de gaz devrait approuver le installation finale.**

Cet appareil, son régulateur de pression et son robinet de isolement individuel doivent être démontés de évaluer de gaz pendant tous les essais sous pression de ce système aux pressions de essai au-dessus de 1/2 psig. Cet appareil et son régulateur de pression doivent être isolés dans le système de évaluer de gaz en fermant son robinet de isolement manuel individuel pendant tous les essais sous pression du système de évaluer de gaz aux pressions de essai égales à ou moins de à 1/2 psig.

**INFORMATIONS GÉNÉRALES**  
Cet équipement est conçu et vendu pour le usage commercial seulement par le personnel qualifié et expérimenté dans son opération et est pas vendu pour usage du consommateur dans et autour de la maison ni pour usage directement par le grand public dans des endroits de service de traiteur.

En premier lieu, chaque caisse devrait être examinée avant de signer le connaissance pour rapporter importe quels dommages évidents par le camionneur en transit, et pour expliquer le nombre approprié de caisses. Se il y a des dommages apparents, des arrangements devraient être pris pour classer une réclamation contre le porteur. Les règlements de commerce entre Etats exigent que la réclamation doit être lancée par le destinataire. Des équipements appropriés et bloqués de stockage devraient être arrangés pour oven(s) au besoin pour le protéger contre des conditions extérieures ou humides à tout moment avant installation.

## -IMPORTANT-

Quand vous faites décharger toutes les caisses, ouvrez les caisses et enlevez toutes les couvertures en plastique. Inspectez immédiatement pour déceler les dommages cachés. Si quelque chose semble être endommagé, contactez les personnes appropriées immédiatement pour classer une réclamation de dommages. Après exécution de cette inspection, finissez de déballez le four. **Soyez sûr de enlever tout le matériel de papier de protection et emballage à partir de unité avant éclairage.**



## ATTENTION

**POUR VOTRE SÛRETÉ NE STOCKEZ PAS OU EMPLOYEZ PAS ESSENCE OU AUTRES VAPEURS ET LIQUIDES INFLAMMABLES À PROXIMITÉ DE CECI OU AUCUN AUTRE APPAREIL.**

# CARACTÉRISTIQUES

## UM1854-NAT, UM1854-LP

Évaluer/Raccorderment De Gaz:

40,000 BTU/hr (10080 kcal/min)(703kW)  
1/2" NPT raccorderment de pipe masculin

La Pression De Provision De Gaz:

Gaz Naturel - 6-12" eau colonne (15-30 mBar)  
Gaz de Propane - 11-12" eau colonne (27.5-30 mBar)

Alimentation Electrique:

Indépendant 15 Amp 120VAC, monophasé, 50/60 Hz service par Four

Poids Approximatif (Un Four avec le Chariot): Installé - 280 Lbs (127.27 kg), Transporté - 350 Lbs (159.09 kg)

Dimensions: Largeur:

60.6" (153.9 cm)

Profondeur:

39.9" (99.82 cm) - La porte étant fermé

51.3" (130.3 cm) - Avec la porte ouverte

Hauteur:

43.3" (110.0 cm) - Un four avec le stand

60.6" (153.9 cm) - Double four avec le stand

62.8" (159.5 cm) - Four triple avec le chariot

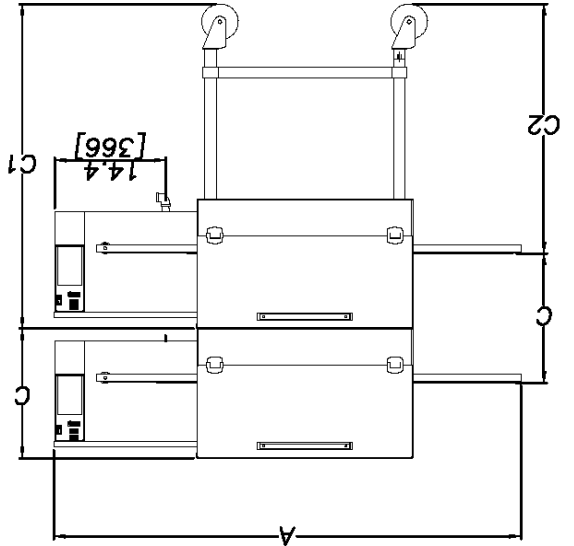
### Les Dégagements Minimums recommandés :

L'arrière de Four pour Empisonner

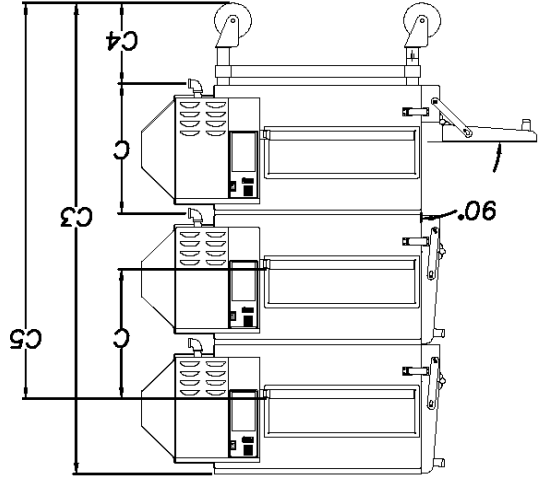
0" (0 CM)

Les Extensions de convoyeur pour Empisonner

6" (15.2 CM)



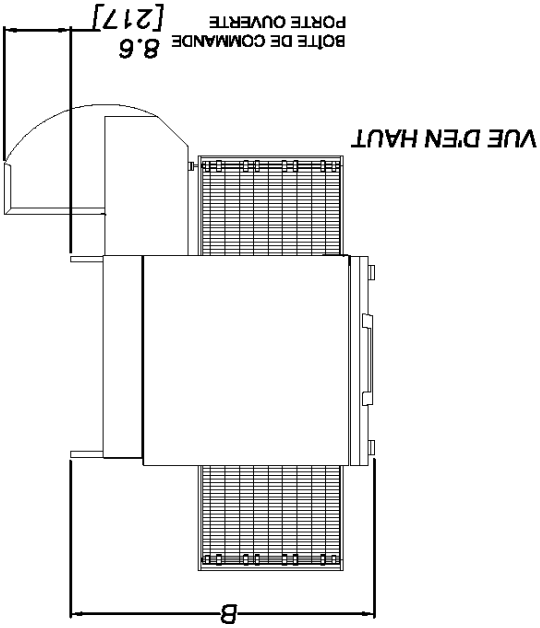
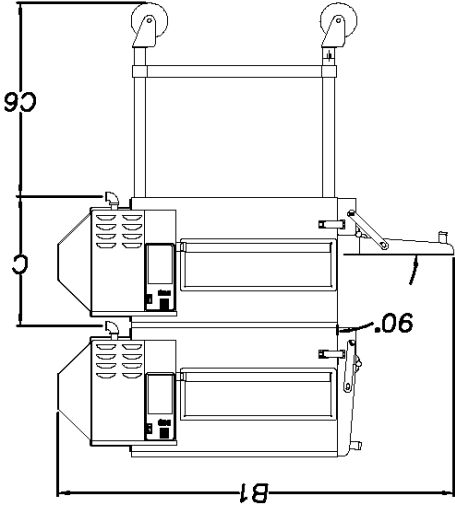
VUE D'AVANT  
DOUBLE PILE



VUE D'EXTÉRÊMITE  
PILE DE TROIS

- A = 60.6 (1538)
- B = 39.3 (999)
- B1 = 51.3 (1303)
- C = 17.3 (439)
- C1 = 43.3 (1099)
- C2 = 33.2 (844)
- C3 = 62.8 (1595)
- C4 = 10.8 (274)
- C5 = 52.8 (1341)
- C6 = 25.8 (655)

VUE D'EXTÉRÊMITE  
DOUBLE PILE



VUE D'EN HAUT

## SYMBOLE DE SÉCURITÉ



Ces symboles sont utilisés pour souligner à l'utilisateur les instructions d'utilisation ou d'entretien importantes contenues dans le manuel qui accompagne l'appareil.

## CONSERVEZ CE MANUEL POUR RÉFÉRENCE FUTURE

### AVIS

L'utilisation de toute pièce autre que les pièces d'origine STAR dégage le fabricant de toute responsabilité.

Star se réserve le droit de changer les spécifications et la conception du produit sans préavis. Ces changements ne donnent pas le droit à l'acheteur d'obtenir les changements, améliorations, ajouts ou remplacements correspondants pour l'équipement acheté préalablement.

Du aux modifications périodiques de dessins, méthodes, procédures, règles et régulations, les spécifications contenues dans ce manuel sont susceptibles de changer sans préavis. Quoique STAR Manufacturing exerce la bonne foi de fournir le renseignement correct, STAR n'est pas responsable pour les erreurs ou les omissions dans le renseignement pourvu ou les conclusions tirées à la suite de l'utilisation des spécifications. En utilisant le renseignement pourvu, l'utilisateur assume tous les risques en relation avec telle utilisation.

## ENTRETIEN ET RÉPARATIONS

Contactez votre détaillant local pour les réparations ou l'entretien requis. Assurez-vous d'avoir le numéro de modèle, le numéro de série, le voltage et la date d'achat pour un service plus rapide. Entrez l'information requise ci-dessous pour référence rapide.

### Agent de service autorisé

Voir la liste pourvue avec l'appareil  
Ou

Pour une liste mise à jour voir :

**Site web :** [www.star-mfg.com](http://www.star-mfg.com)  
**Courriel :** [customerservice@star-mfg.com](mailto:customerservice@star-mfg.com)

## CARACTÉRISTIQUES

### UM1854-NATCE

Évaluer/Raccorderment De Gaz : 11.72kW (40,000 BTU/hr), 1/2" BSP femelle pipe connection

#### Pays:

AT, DK, FI, IE, HU, PT NL LU, DE BE, FR

ES, SE, GB, IT, CH, CR

#### Catégorie de Gaz:

G<sub>20</sub>@20

G<sub>25</sub>@25

G<sub>20</sub>@20

G<sub>20</sub>@20/25

#### Pression (mBar):

220-240V, single phase, 1.2A (max), 50Hz

Poids Approximatif (Un Four avec le Chariot): Installé - 280 Lbs (127.27 kg), Transporté - 350 Lbs (159.09 kg)

#### Alimentation Électrique:

Dimensions: Largeur: 60.6" (153.9 cm)

Profondeur: 39.9" (99.82 cm) - La porte étant fermée

Hauteur: 43.3" (110.0 cm) - Un four avec le stand

60.6" (153.9 cm) - Double four avec le stand

62.8" (159.5 cm) - Four triple avec le chariot

### Les Dégagements Minimums recommandés :

L'arrière de Four pour Empisonner

Les Extensions de convoyeur pour Empisonner

0" (0 CM)  
6" (15.2 CM)

# UltraMax<sup>®</sup> FOUR de CONVOYEUR de GAZ

UM1854-NAT/LP  
UM1854Q-NAT/LP  
UM1854-NATCE

2M-Z5649 REV P (09-22)



UltraMax<sup>®</sup> UltraMax<sup>®</sup> UltraMax<sup>®</sup> UltraMax<sup>®</sup> UltraMax<sup>®</sup> UltraMax<sup>®</sup>