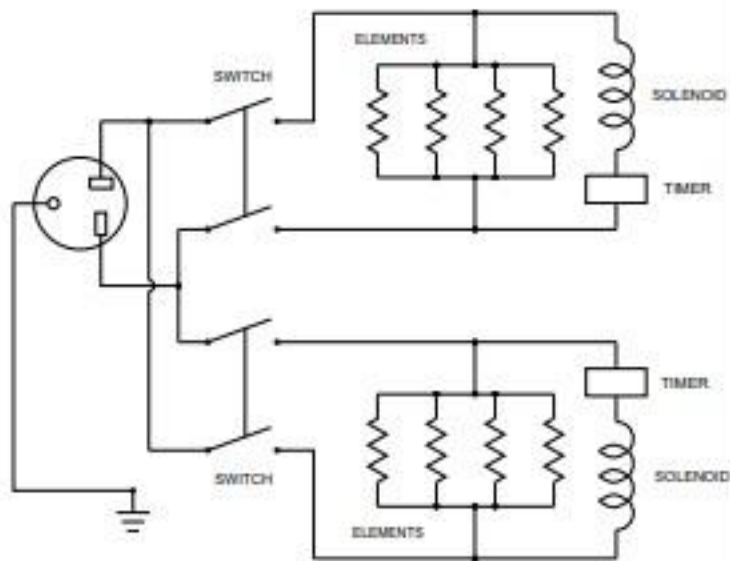
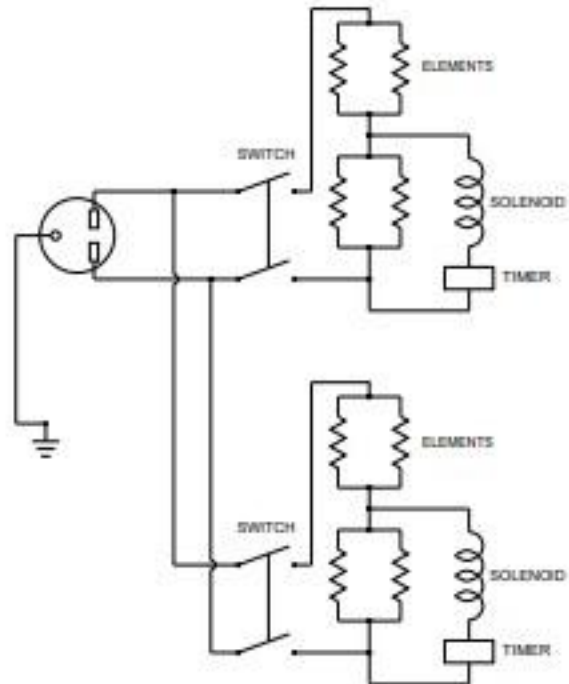
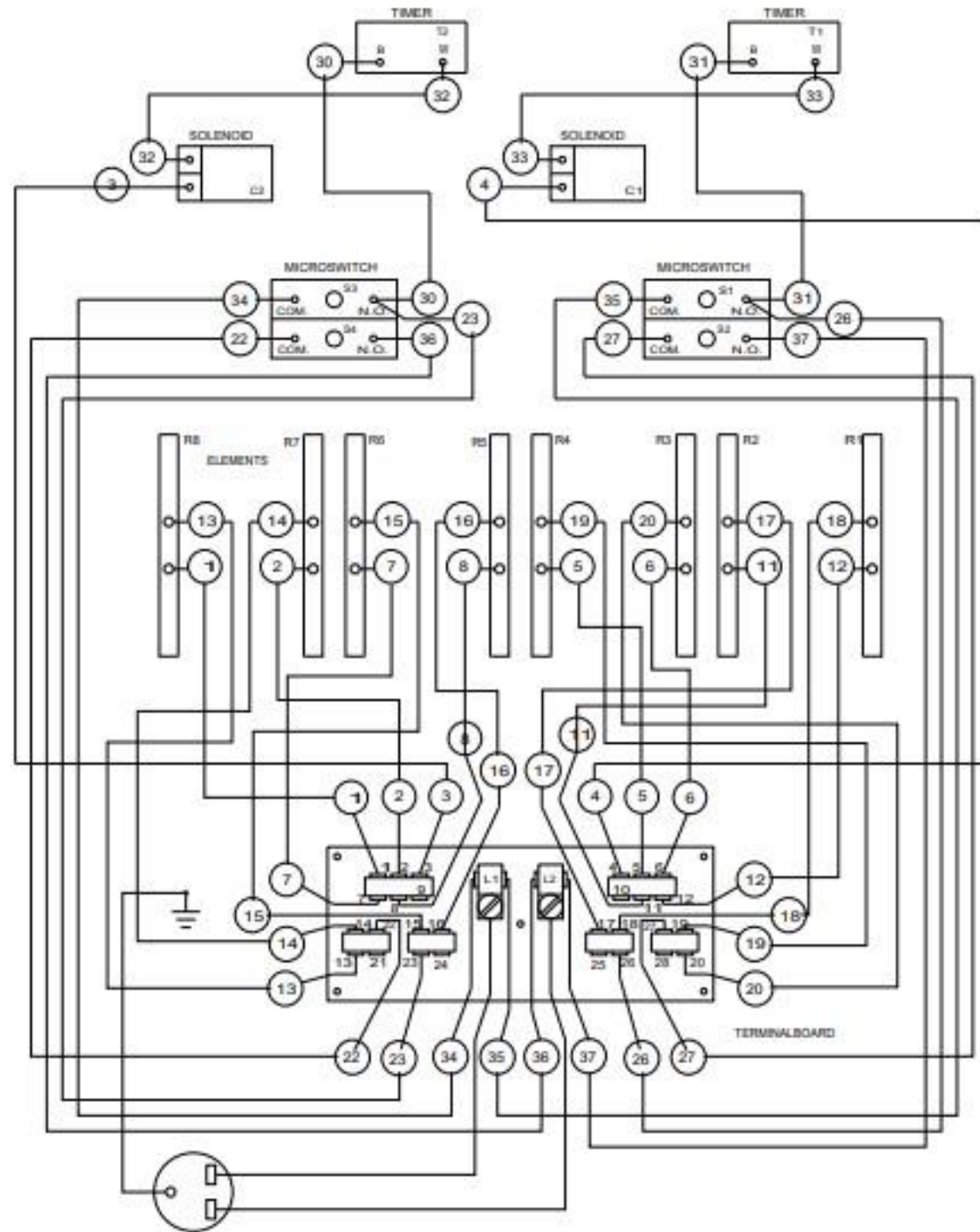


SCHMATIC 120V

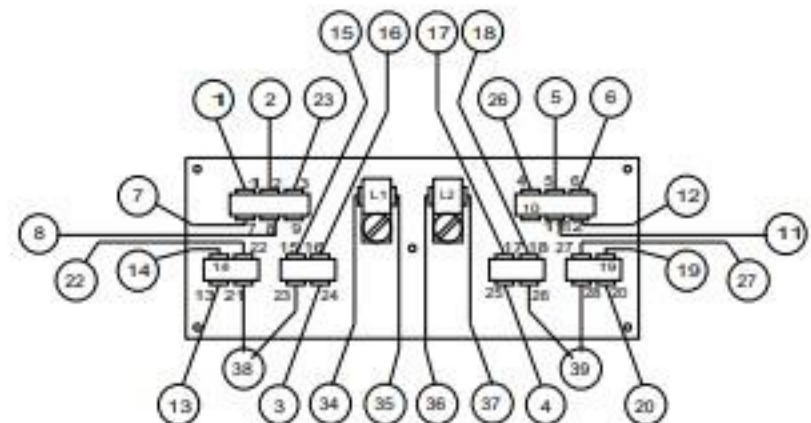


WIRING DIAGRAM 208/240V

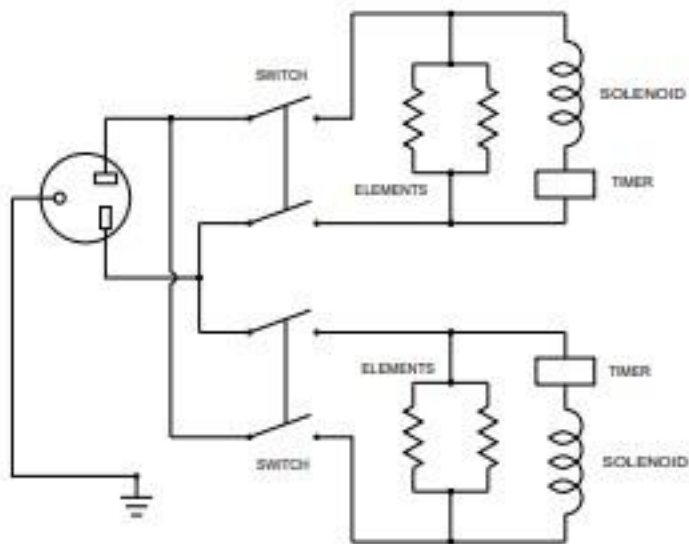


SCHMATIC 208/240V

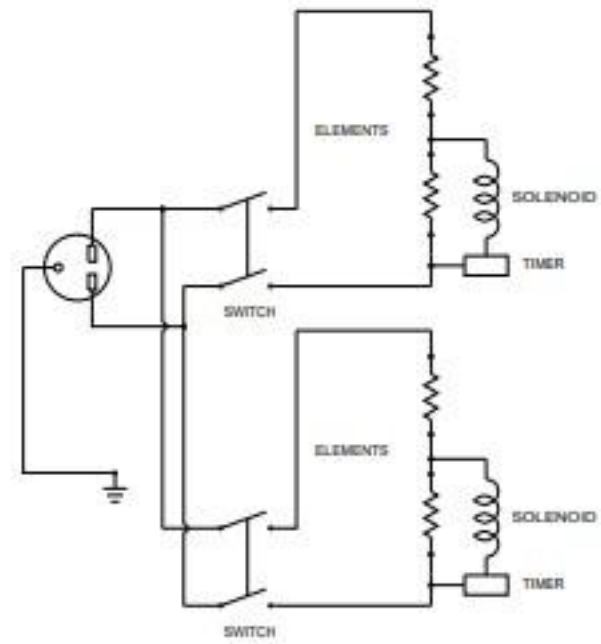
TERMINAL BOARD WIRING 120V



MODEL NO.	VOLTAGE	WATTS	AMPERES PER LINE	
			L1	L2
T4	120	2200	18.3	
T4	208/240	2000	9.6	9.6
		2600	10.8	10.8
T4	208	2600	12.5	12.5



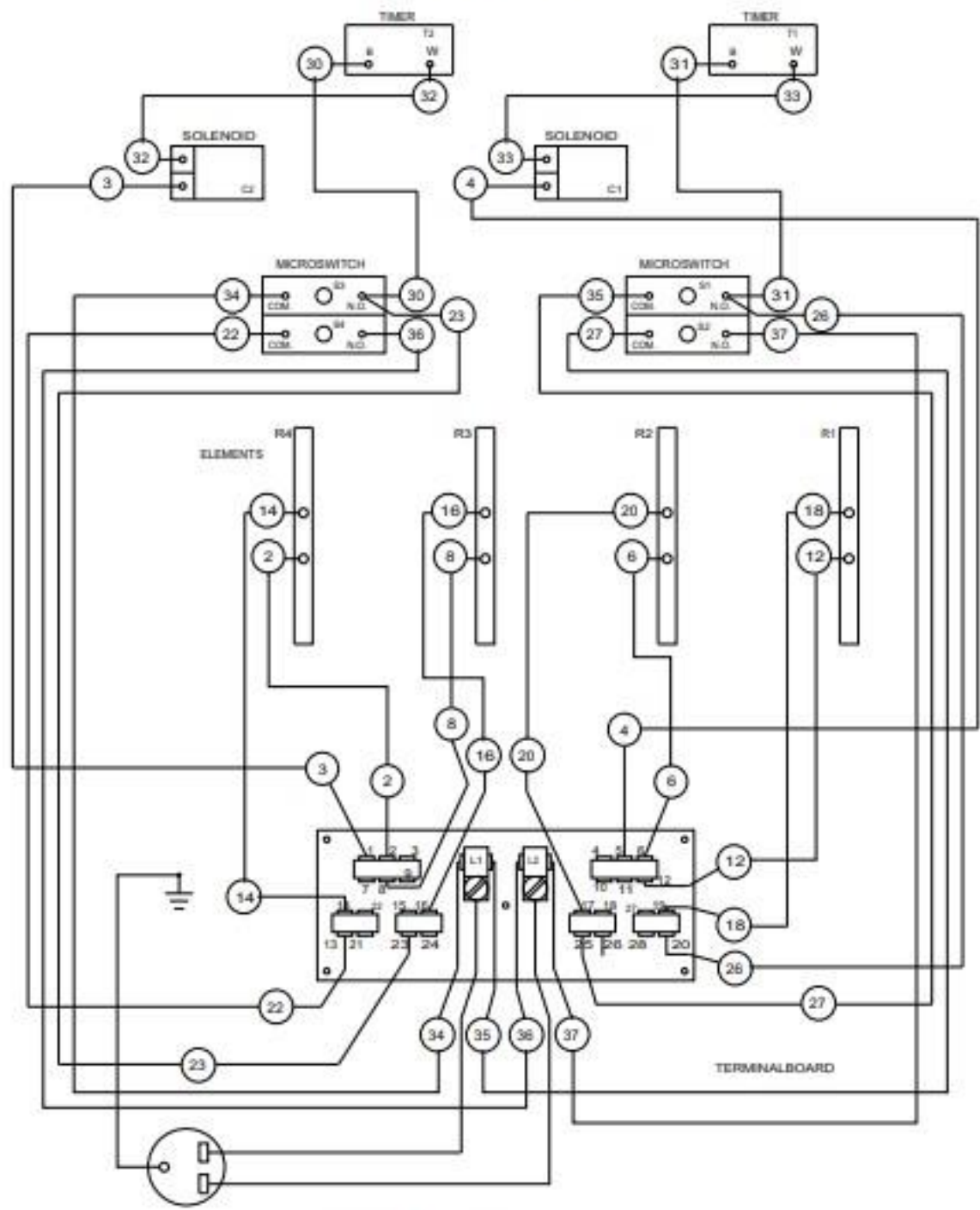
SCHMATIC 120V



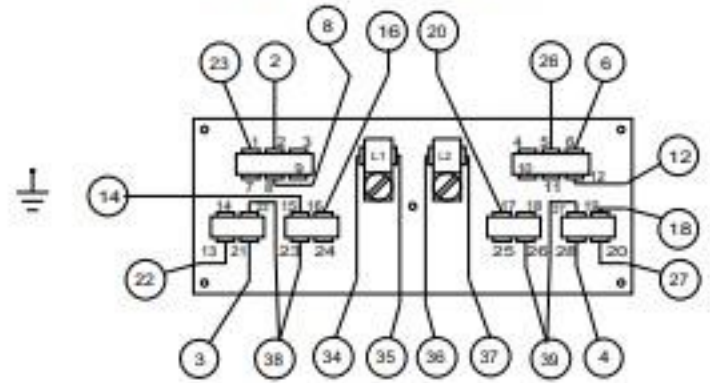
SCHMATIC 208/240V

NOTES: WIRING SHOWN AS VIEWED FROM THE REAR OF THE APPLIANCE.

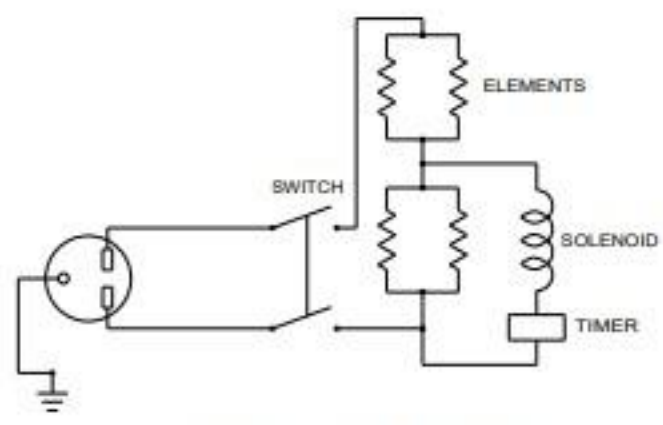
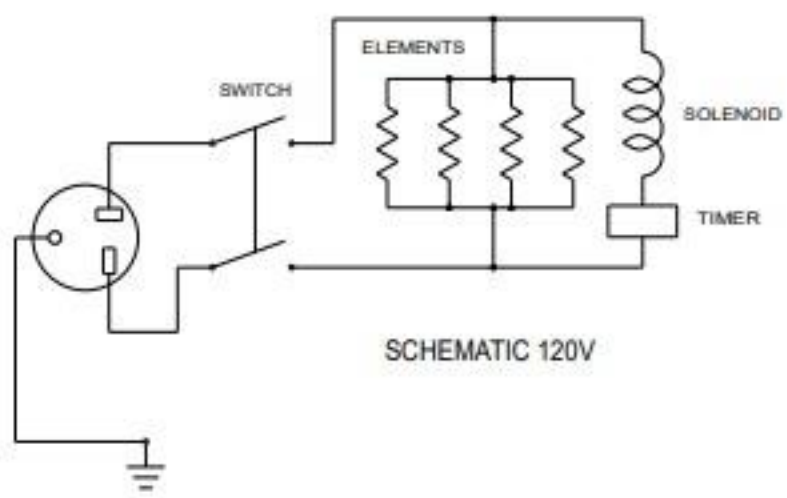
WIRING DIAGRAM 208/240V



TERMINAL BOARD WIRING 120V



MODEL NO.	VOLTAGE	WATTS	AMPERES
BT4	120	1800	15.0
BT4	208/240	1600/1800	7.5



MODEL NO.	VOLTAGE	WATTS	AMPERES
T2	120	1100	9.2
T2	208/240	1000/1300	4.8/5.4

WIRING DIAGRAM 208/240V

