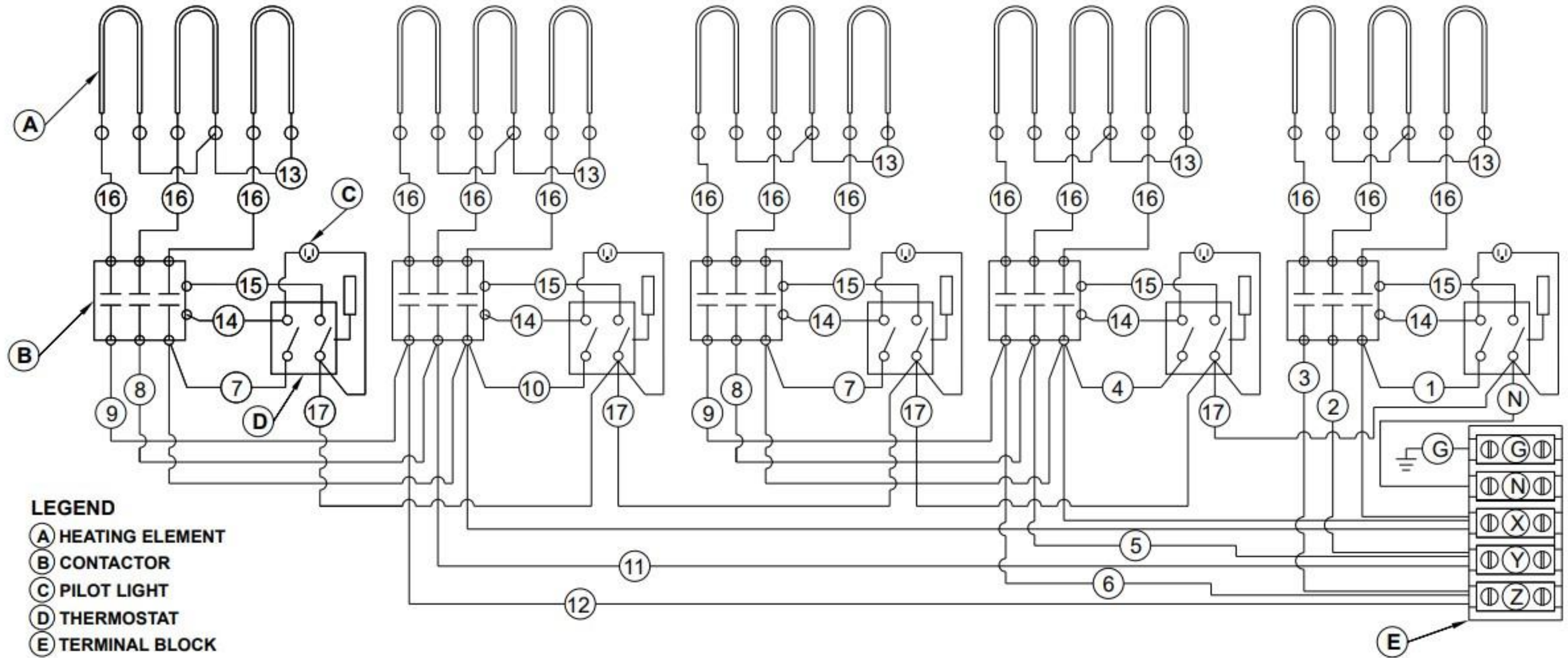


FOR SUPPLY CONNECTIONS USE COPPER WIRE ONLY, SUITABLE FOR AT LEAST 90°C (194°F). USE #8 AWG OR LARGER. DO NOT CONNECT TO A SYSTEM OPERATING AT MORE THAN 250 VOLTS TO GROUND

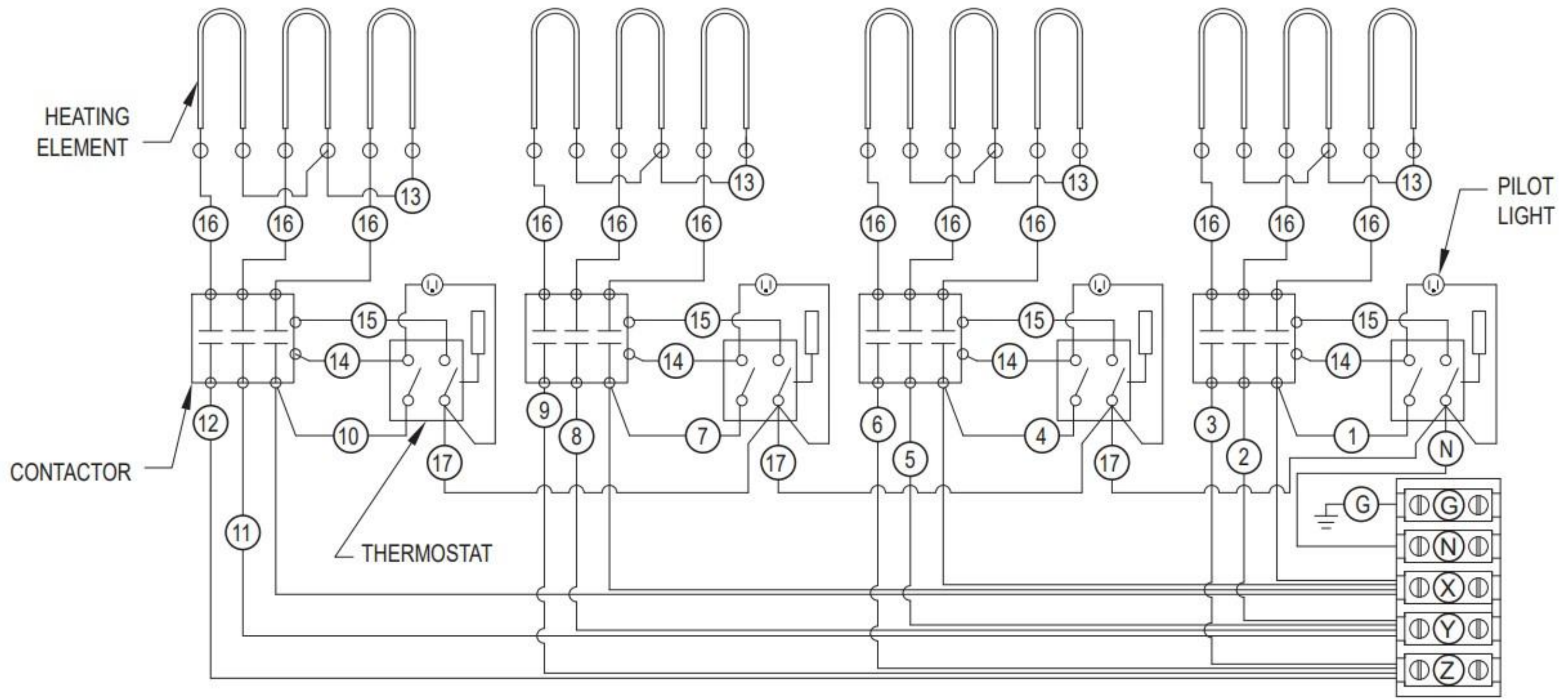
760T 230/400 VOLT Y - 21.75 KW			
NOM. AMPS PER LINE	X	Y	Z
	31.5	31.5	31.5



- LEGEND**
- (A) HEATING ELEMENT
 - (B) CONTACTOR
 - (C) PILOT LIGHT
 - (D) THERMOSTAT
 - (E) TERMINAL BLOCK

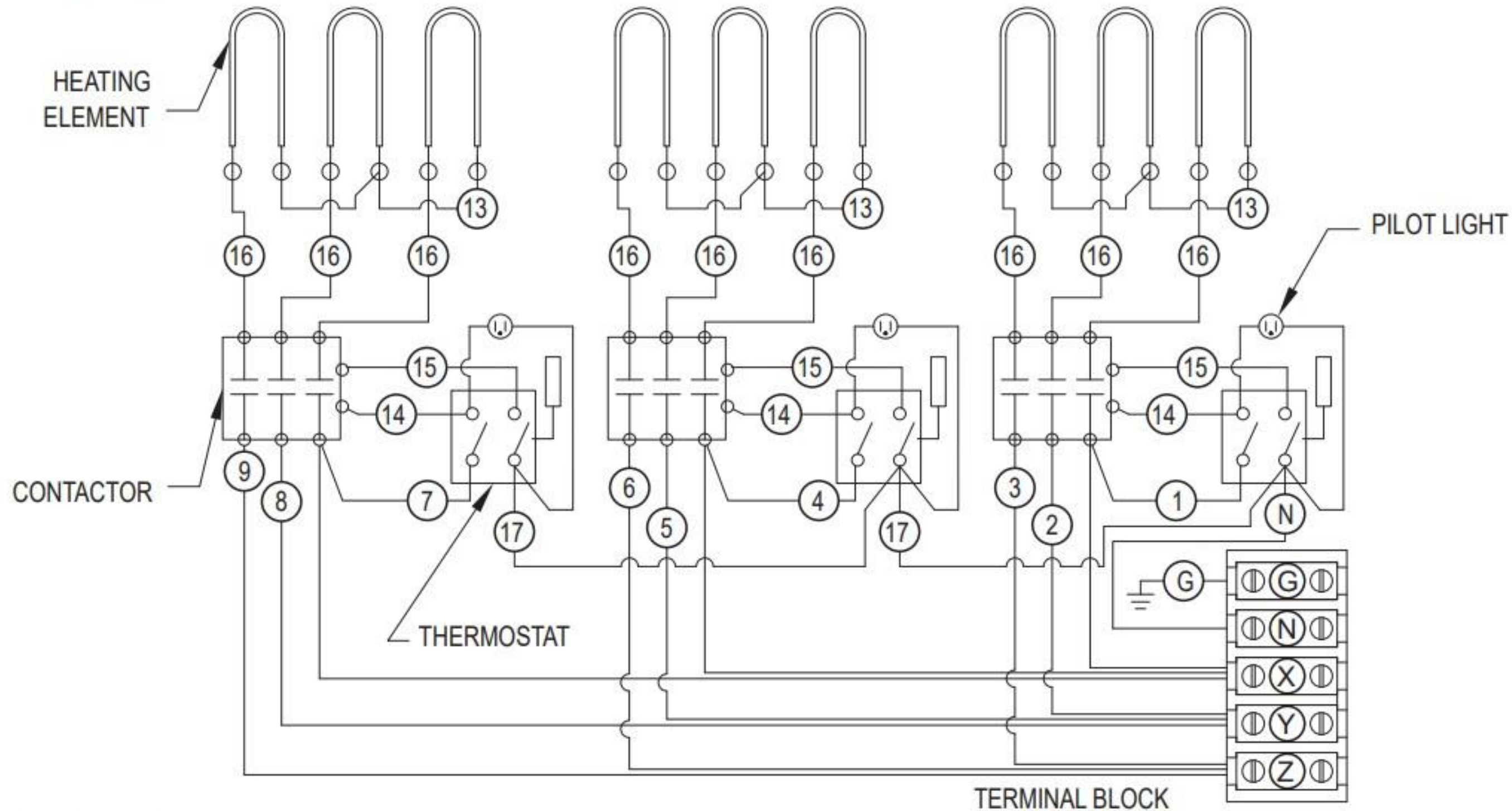
FOR SUPPLY CONNECTIONS USE COPPER WIRE ONLY, SUITABLE FOR AT LEAST 90°C (194°F).
 USE #8 AWG OR LARGER. DO NOT CONNECT TO A SYSTEM OPERATING AT MORE THAN 250
 VOLTS TO GROUND

230/400 VOLT Y - 17.4 KW			
NOM. AMPS PER LINE	X	Y	Z
	25.2	25.2	25.2



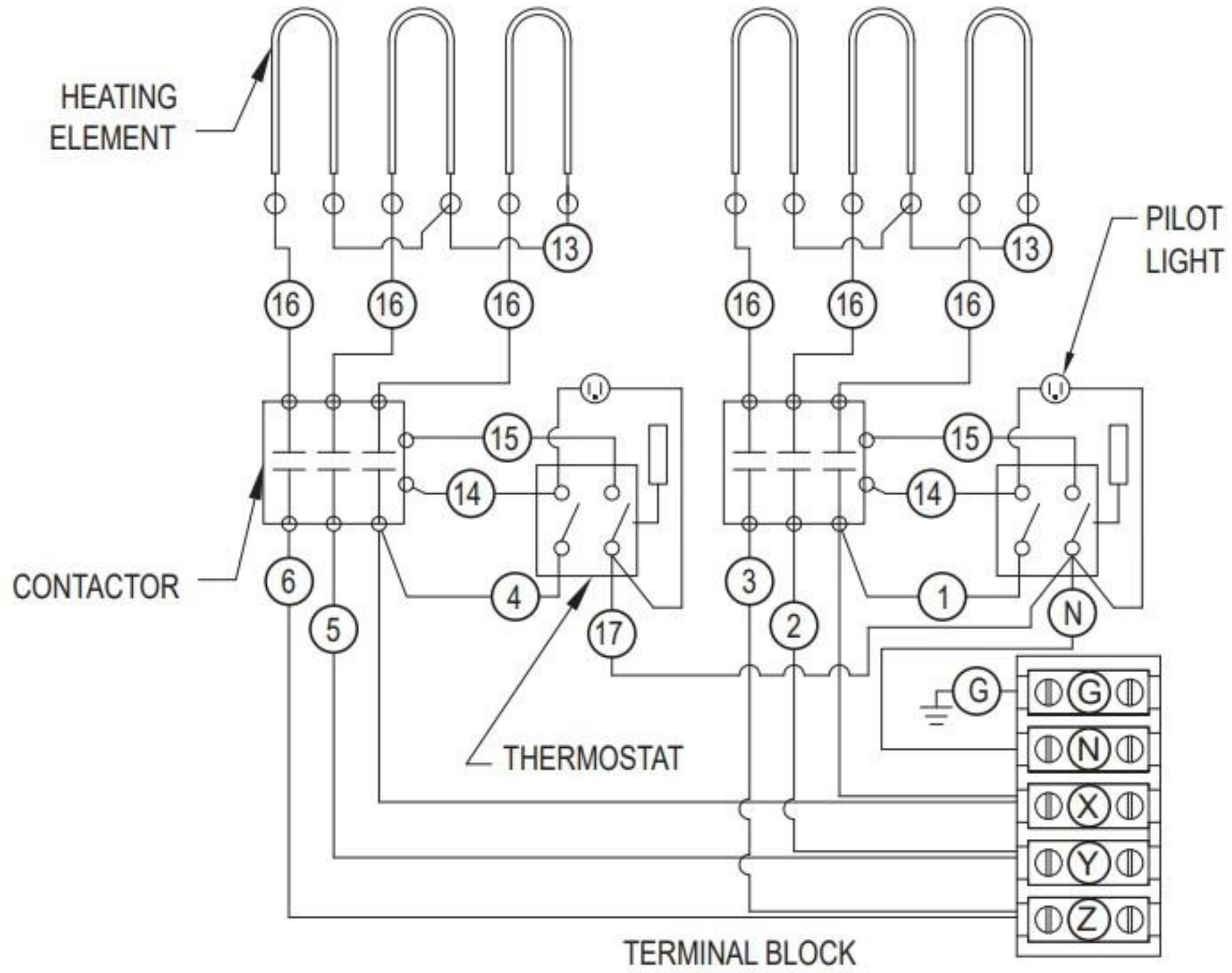
FOR SUPPLY CONNECTIONS USE COPPER WIRE ONLY, SUITABLE FOR AT LEAST 90°C (194°F).
 USE #10 AWG OR LARGER. DO NOT CONNECT TO A SYSTEM OPERATING AT MORE THAN 250
 VOLTS TO GROUND

230/400 VOLT Y - 13.05 KW			
NOM. AMPS PER LINE	X	Y	Z
	18.9	18.9	18.9



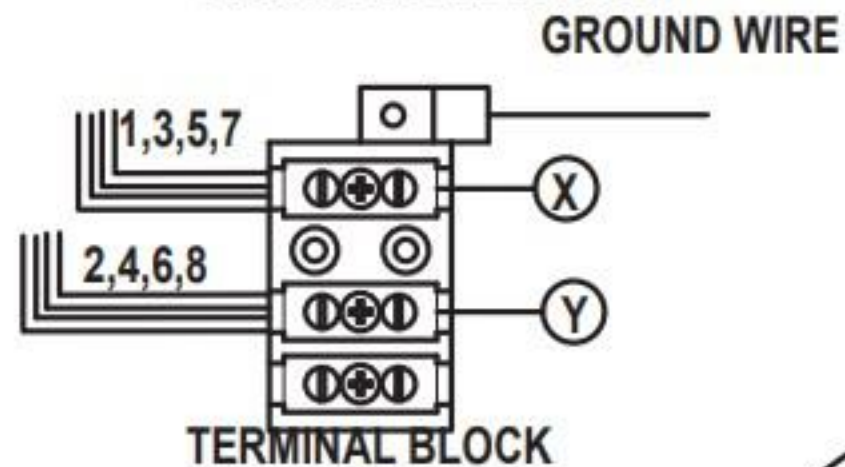
FOR SUPPLY CONNECTIONS USE COPPER WIRE ONLY, SUITABLE FOR AT LEAST 90°C (194°F).
 USE #12 AWG OR LARGER. DO NOT CONNECT TO A SYSTEM OPERATING AT MORE THAN 250
 VOLTS TO GROUND

230/400 VOLT Y - 8.7 KW			
NOM. AMPS	X	Y	Z
PER LINE	12.6	12.6	12.6



SINGLE PHASE		NOMINAL AMPS PER LINE 3 PH.					
208V	240V	208V-3 PHASE			240V-3 PHASE		
17.4 KW	17.4 KW	17.4 KW			17.4 KW		
X-Y	X-Y	X	Y	Z	X	Y	Z
83.6	72.5	55.3	55.3	36.2	48	48	31.4
AWG #3	AWG #3	AWG #6	AWG #6	AWG #8	AWG #6	AWG #6	AWG #8

1 PHASE FIELD WIRING



FOR SUPPLY CONNECTION USE COPPER WIRE ONLY, SUITABLE FOR AT LEAST 90°C (194°F). USE GAUGE SHOWN OR LARGER.

HEATING ELEMENT

THERMOSTAT

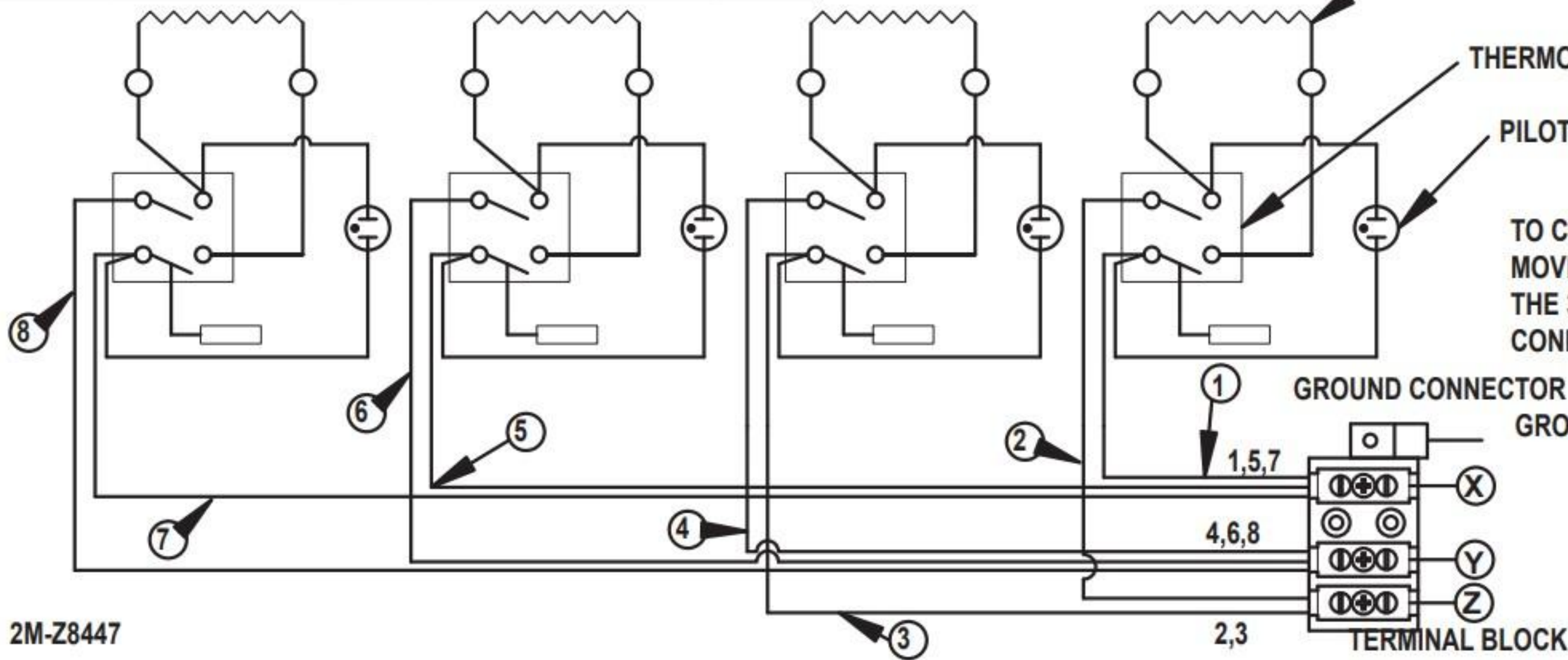
PILOT LIGHT

TO CONVERT TO 3 PHASE MOVE WIRES #2 AND #3 TO THE 3RD OPEN TERMINAL CONNECTOR Z SHOWN.

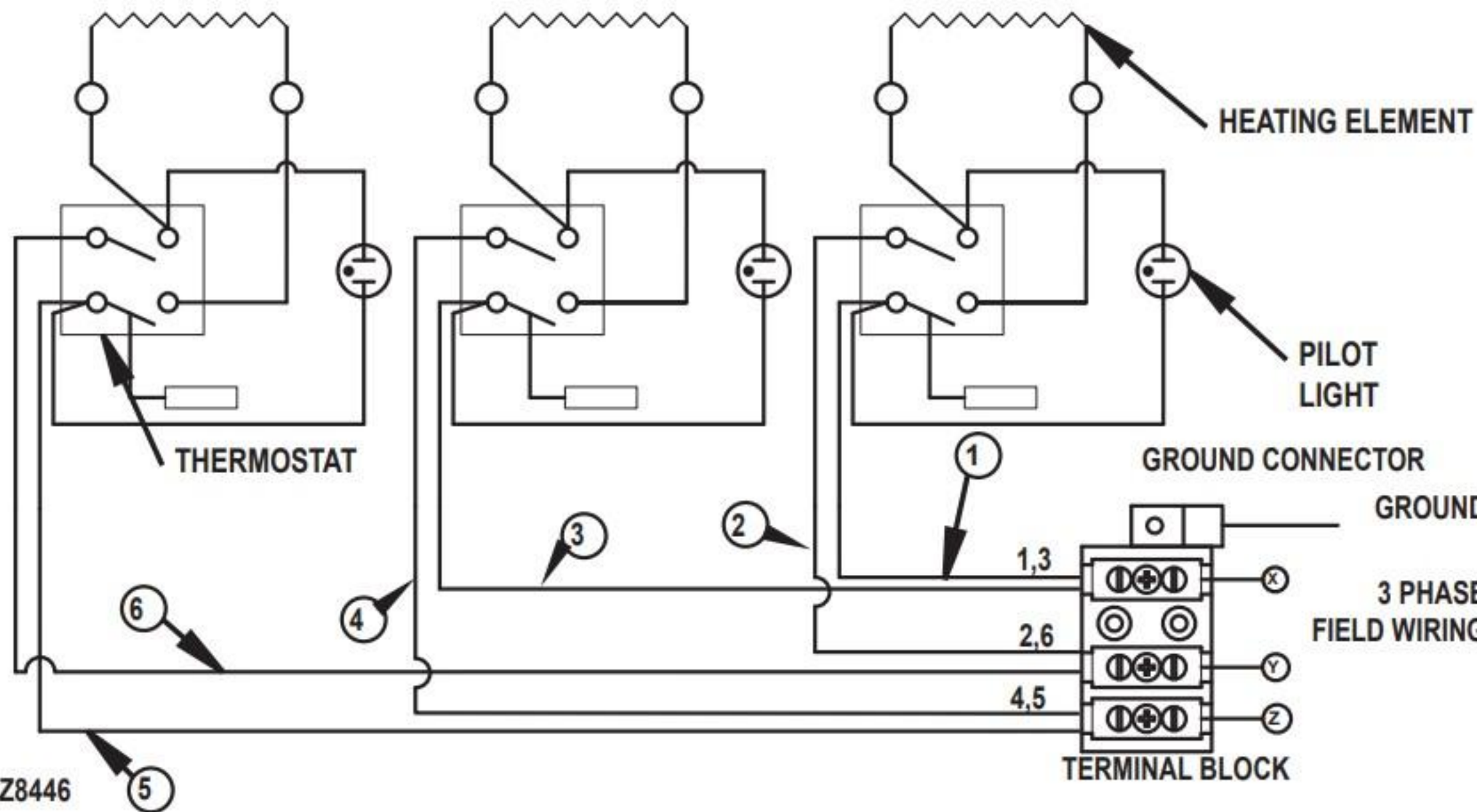
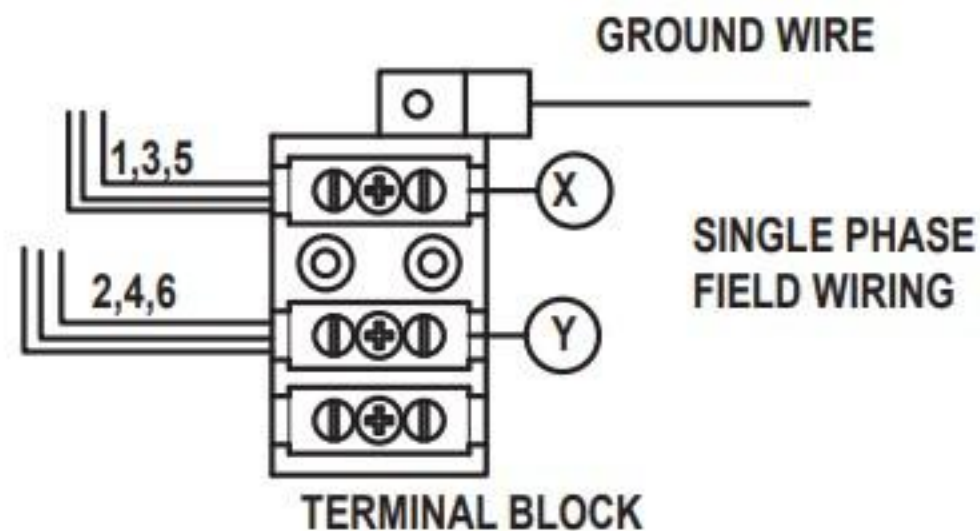
GROUND CONNECTOR

GROUND WIRE

3 PHASE FIELD WIRING



SINGLE PHASE SUPPLY		NOMINAL AMPS PER LINE 3 PH.					
208V	240V	208V-3 PHASE			240V-3PHASE		
13.05 KW	13.05 KW	13.05 KW			13.05 KW		
X-Y	X-Y	X	Y	Z	X	Y	Z
62.7	54.4	36.2	36.2	36.2	31.4	31.4	31.4
AWG #4	AWG #6	AWG #8			AWG #8		



TO CONVERT TO 3 PHASE
MOVE WIRES #4 AND #5 TO
THE 3RD OPEN TERMINAL
CONNECTOR Z SHOWN.

NOTE:
1) FOR SUPPLY CONNECTIONS
USE COPPER WIRE ONLY,
SUITABLE FOR AT LEAST 90°C
(194°F). USE GAUGE SHOWN OR
LARGER.

SINGLE PHASE		NOMINAL AMPS PER LINE 3 PH.					
208V	240V	208V-3 PHASE			240V-3PHASE		
8.7 KW	8.7 KW	8.7 KW			8.7 KW		
X-Y	X-Y	X	Y	Z	X	Y	Z
41.8	36.3	20.9	36.2	20.9	18.1	31.3	18.1
AWG #6	AWG #8	AWG #12	AWG #8	AWG #12	AWG #12	AWG #8	AWG #12

FOR SUPPLY CONNECTIONS USE COPPER WIRE ONLY, SUITABLE FOR AT LEAST 90°C (194°F). USE GAUGE SHOWN OR LARGER.

