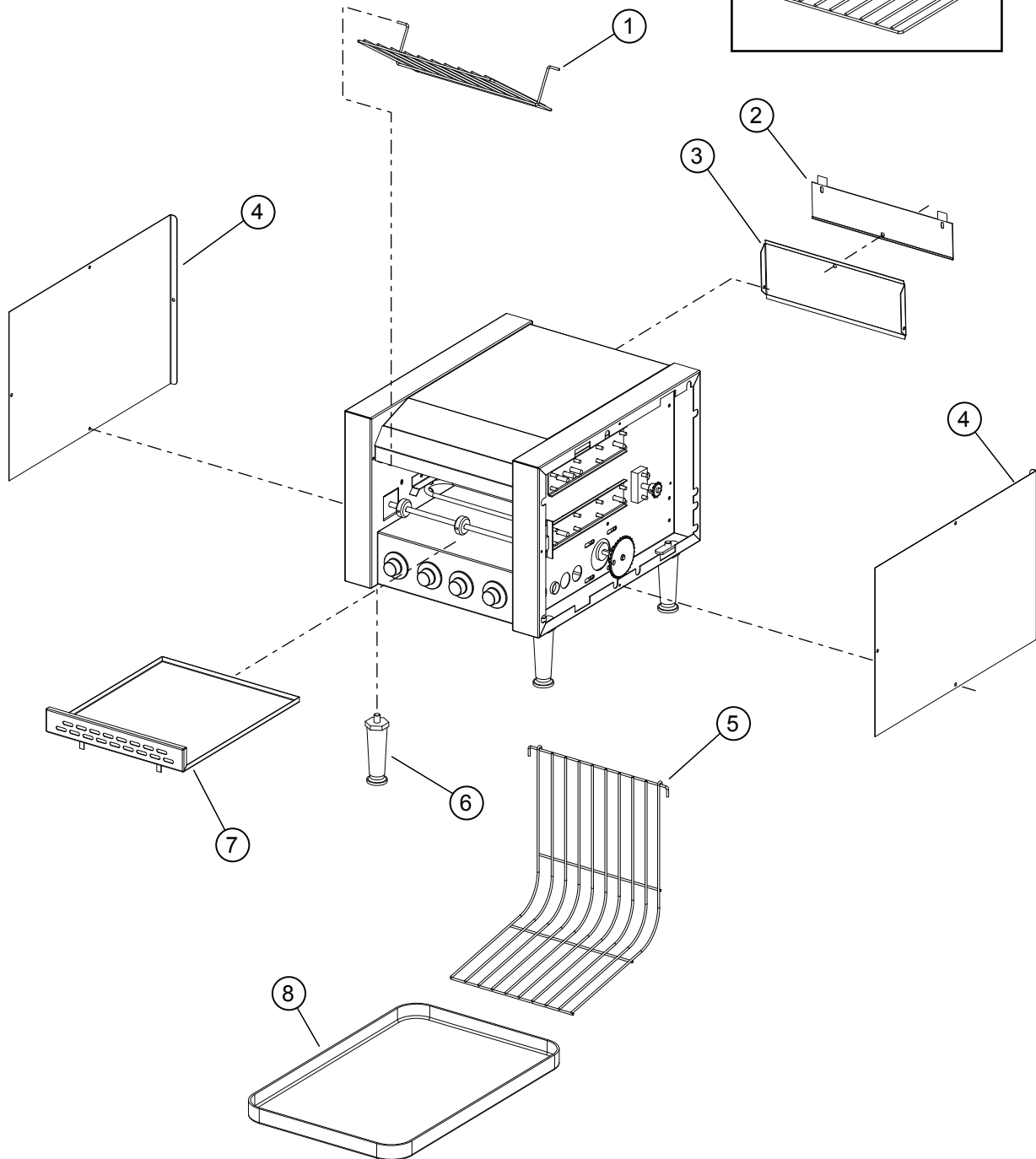
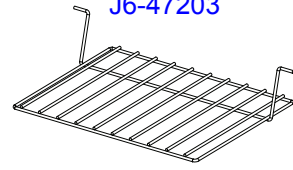


Horizontal Entrance
Rack (Optional)
J6-47203



MODEL: TC17D, TC21D
EXTERIOR PARTS



SK2486

REV -

11/19/10

PARTS LIST

July 19, 2012, Rev. -

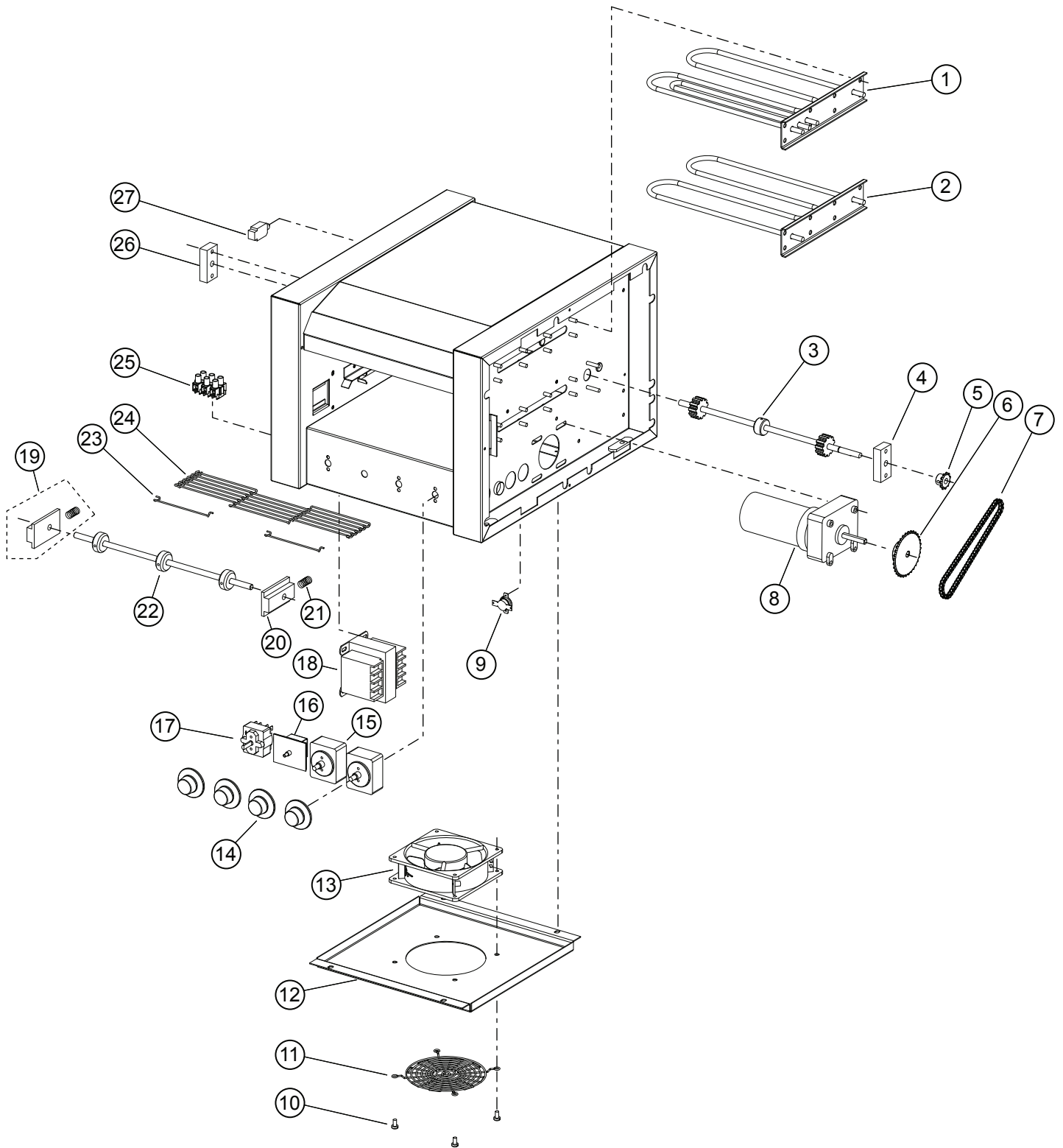
MODEL TC17D & TC21D Conveyor Toaster

FIG NO.	PART NUMBER	DESCRIPTION	QTY	APPLICATION
1	2B-33410	RACK, ENTRANCE TC14	1	
2	J6-46681	PANEL, REAR TOP TC21A3	1	
3	J6-32962	REAR, EXIT	1	
4	J6-47386	SIDE, COVER TC17A3	2	TC17D
	J6-46676	PANEL, SIDE COVER TC21A3		TC21D
5	2W-50576	WLDMT, RACK RETURN TC17/21	1	
6	2A-Z0314	FOOT, 4" DIE CAST	4	
7	J6-27-9000	ASSY, CRUMB PAN, TC17	1	TC17D
	J6-27-9002	ASSY, CRUMB PAN, TC21	1	TC21D
8	2D-33391	PAN, CRUMB LOWER TC14	1	

**IMPORTANT: WHEN ORDERING, SPECIFY VOLTAGE OR TYPE GAS DESIRED
INCLUDE MODEL AND SERIAL NUMBER**

PAGE 1
OF 1

Some items are included for illustrative purposes only and in certain instances may not be available.



MODEL: TC17D, TC21D
INTERIOR PARTS



SK2487

REV -

11/19/10

PARTS LIST

December 9 2013, Rev. -

MODEL TC17D & TC21D Conveyor Toaster

Fig No.	PART NO.	DESCRIPTION	QTY	APPLICATION
1	2N-33405	ELEMENT,HTG 120V 860/250W	1	TC17D-120V
	2N-33423	ELEMENT,HTG 208V 1060/250W	2	TC17D-208V
	2N-33425	ELEMENT,HTG 240V 1060/250W		TC17D-240V
	2N-41796	ELEMENT,HEATING BTM 208V		TC21D-208V
	2N-41797	ELEMENT,HEATING BOT 240V		TC21D-240V
2	2N-33404	ELEMENT,HEATING BTM 120V	1	TC17D-120V
3	J6-55563	ASSY,SHAFT REAR TC17/TC21	1	
4	2P-7006964	BEARING,BLOCK MOTOR	1	
5	2P-34129	SPROCKET,12TOOTH,25B12-5/	1	
6	2P-34128	SPROCKET,20T-1/4PITCH	1	
7	J6-TC0082	ASSY,CHAIN	1	
8	2U-52223	ASSY,MOTOR DC TC17D/TC21D	1	
9	2T-38079	THERMOSTAT,SNAP DISC N.O.	1	
10	2C-4005A8801	SCR,MS PH PN HD 10-32X3/8	8	
11	2R-27470-0004	GUARD,FAN	2	
12	J6-33237	ASSY,PANEL BOTTOM	1	TC17D
	J6-45089	ASSY,PANEL BOTTOM		TC21D
	J6-45075	ASSY,PANEL BOTTOM TC17		TC17D-208V,TC17D-240V
13	2U-27392-0002	FAN,AXIAL 115V 110CFM 50/	1	TC17D-120V
	2U-97525	FAN,230V		TC17D-208V,TC17D-240V,TC21D-208V,TC21D-240V
14	2R-33402	KNOB, CONTROLS (TC14)	4	
15	2J-3006098	CONTROLLER,TEMP 120V	2	TC17D-120V
	2J-3006099	CONTROLLER,TEMP 208/240V		TC17D-208V,TC17D-240V,TC21D-208V,TC21D-240V
16	2J-3002808A	CONTROLLER,SPEED DCV TC17	1	TC17D-120V
	2J-3002808B	CONTROLLER,SPEED DCV TC17		TC17D-208V
	2J-3002808C	CONTROLLER,SPEED DCV TC17		TC17D-240V
	2J-3002808D	CONTROLLER,SPEED DCV TC21		TC21D-208V
	2J-3002808E	CONTROLLER,SPEED DCV TC21		TC21D-240V
17	2E-Z13596	SWITCH-ROTARY 3 POSITION	1	
18	2E-30697	TRANSFORMER, 230VP/115VS	1	TC17D-208V,TC17D-240V,TC21D-208V,TC21D-240V
19	C9-7610849	KIT, FRONT BEARING ASSY	2	
20	2P-7008178	BEARING,BLOCK FRONT	2	
21	2P-3103262	SPRING,COMPRESSION,ZINC	2	
22	J6-33396	ASSY,SHAFT FRONT TC14	1	
23	2C-33394	LINK,WIRE 3/8 (MASTER LINK)	2	
24	J6-33392	BELT,CONVEYOR TC17 3/8P	1	TC17D
	2B-47636	BELT, CONV, TC17DS FEC		TC17D3
	J6-39351	BELT,CONVEYOR TC21		TC21D, 113 LINKS - 32"
	2B-33393	LINK, SINGLE WIRE BELT	AR	TC17D / TC21D
25	2E-33406	BLOCK,TERM 3-POLE TC14	1	
26	2A-7006963	BLOCK,LEFT REAR BEARING	1	
27	2E-48635	BREAKER,CIRCUIT 240V 0.3A	1	TC17D-120V
NI	2K-37748X	FTG CONDUIT STRAIGHT 3/8	1	
NI	2M-Z13088	GRAPHIC, TC17/TC21	1	
NI	J6-45082	ASSY,CORDSET AXIAL FAN	1	TC17D-120V
NI	J6-47672	ASSY,CORDSET 20A-125VAC	1	TC17D-120V
NI	J6-50578	ASSY,CORDSET 250V20A(6-20	1	TC17D-208V,TC17D-240V

Some items are included for illustrative purposes only and in certain instances may not be available.