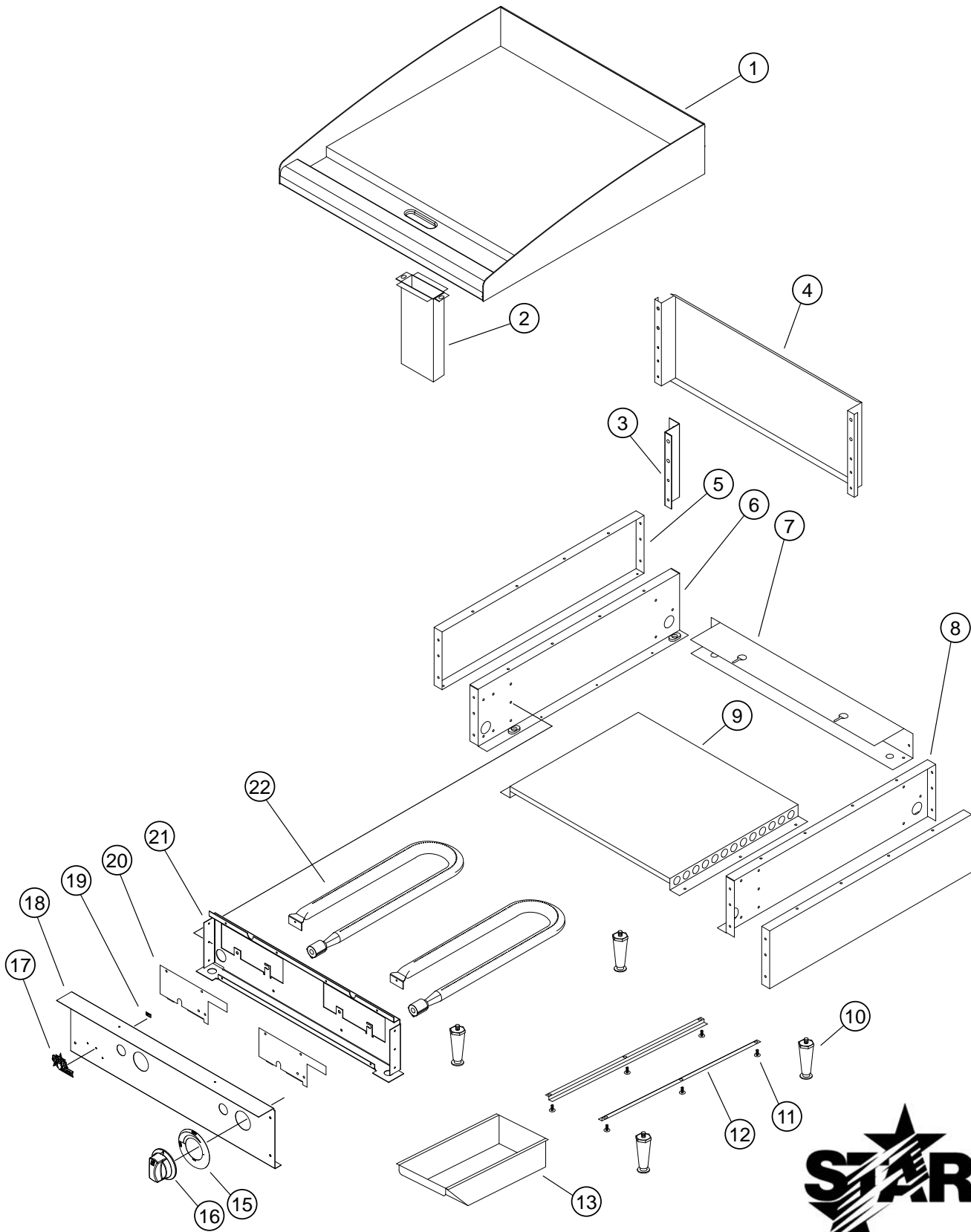
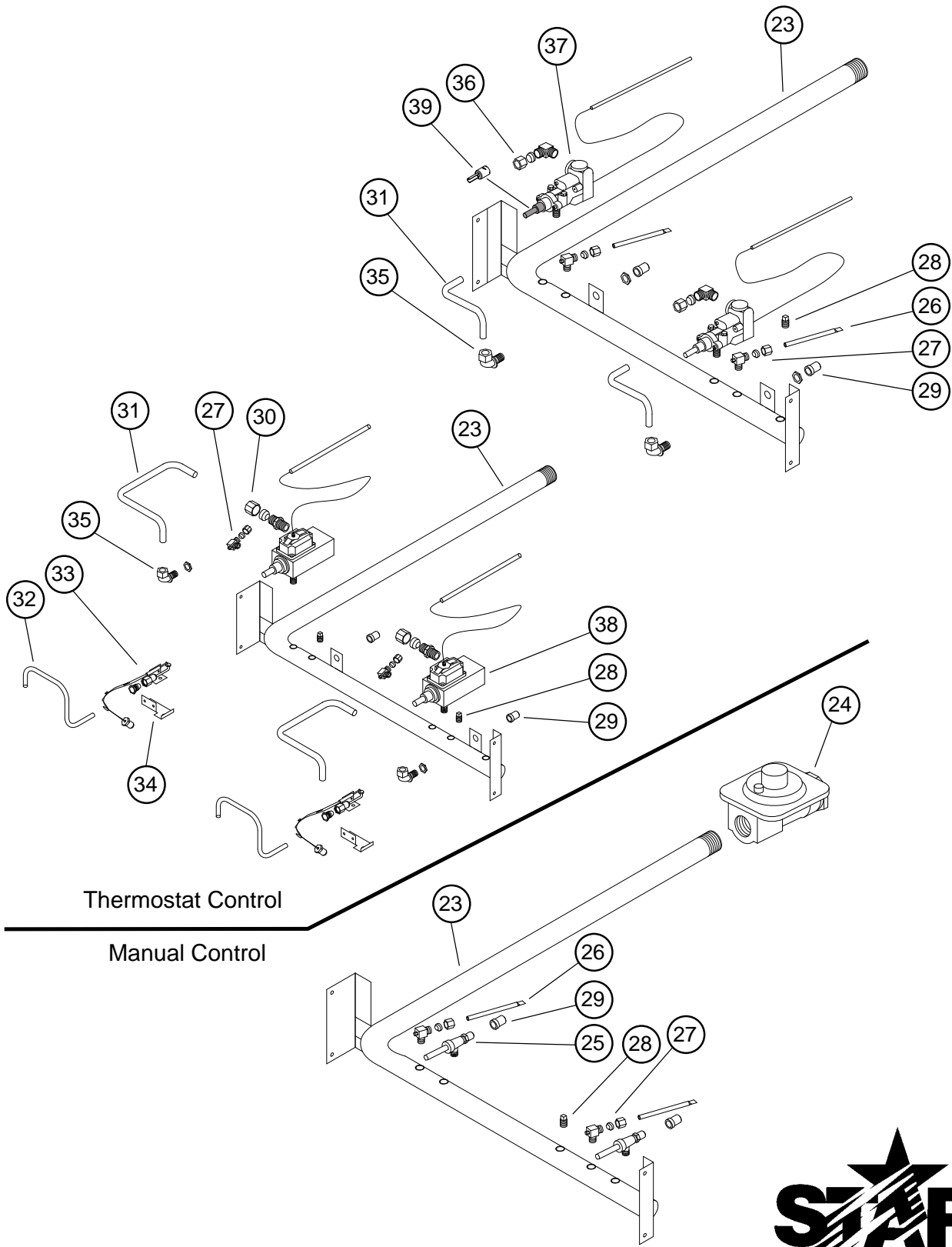


2M-Z16008 Star-Max Gas Griddles



MODEL: 624MF,624TF, 624TSPF, 624TCHSF

STAR MANUFACTURING INTERNATIONAL, INC.
SK2598 REV. - 06-12-12



Thermostat Control

Manual Control

2M-Z16008 Star-Max Gas Griddles



MODEL 624MF,624TF, 624TSPF, 624TCHSF

STAR MANUFACTURING INTERNATIONAL, INC.
SK2599 Rev. A 7-24-2015

PARTS LIST

June 13, 2012, Rev -

Model: 615, 624, 636, 648 Star-Max Gas Griddles				
Fig No	Part No	Qty	Description	Application
1	G3-615315	1	GRIDDLE PLATE ASSEMBLY	615MF
	G3-615316			615TF
	G3-624320			624MF
	G3-624321			624TCHSF
	G3-624322			624TF, 624TSPF
	G3-624323			624MF-DIV
	G3-636316		GRIDDLE PLATE ASSEMBLY	636MF
	G3-636317			636TCHSF
	G3-636318			636TF, 636TSPF
	G3-648320			648MF
	G3-648321			648TCHSF
	G3-648322			648TF, 648TSPF
	G3-648323			648TF-TFR
G3-648324	648TF-TFL			
2	G3-615304	1	CHUTE ASSEMBLY	ALL 615
	G3-624304			ALL 624, 636, 648
3	G5-Z4817	1	FLUE DIVIDER	ALL 636, 648
4	G3-Z5906	1	FLUE	615MF, 615TF
	G5-Z4812			624MF, 624TF, 624TSPF, 624TCHSF
	G5-Z4813			636MF, 636TF, 636TSPF, 636TCHSF
	G5-Z4814			648MF, 648TF, 648TSPF, 648TCHSF
5	G3-Z5945	2	SIDE PANEL	ALL
6	G3-624302	1	SIDE LINER ASSEMBLY LEFT	ALL
7	G3-Z5951	1	REAR PANEL	615MF, 615TF
	G3-Z5953			624MF, 624TF, 624TSPF, 624TCHSF
	G3-Z5955			636MF, 636TF, 636TSPF, 636TCHSF
	G3-Z5957			648MF, 648TF, 648TSPF, 648TCHSF
8	G3-624303	1	SIDE LINER ASSY RIGHT	ALL
9	G3-Z5909	1	BOTTOM	615MF, 615TF
	G3-Z5919			624MF, 624TF, 624TSPF, 624TCHSF
	G3-Z5929			636MF, 636TF, 636TSPF, 636TCHSF
	G3-Z5939			648MF, 648TF, 648TSPF, 648TCHSF
10	2A-Z5942	4	FOOT	ALL
11	2C-8823	Various	SCREW #8 x 3/8	ALL
12	G3-Z6036	2	DRAWER SLIDE	ALL
13	G3-Y7046	1	GREASE DRAWER	ALL
15	2M-Z15449	1/2/3/4	KNOB LABEL MAN LG	615MF / 624MF / 636MF / 648MF
	2M-Z15450		LABEL GAS T-STAT LG	615TF / 624TF / 636TF / 648TF
	2M-Z16011	2/3/4	KNOB LABEL GAS-TSTAT PILOT	624TSPF/ 624TCHSF/ 636TSPF/ 636TCHSF/ 648TSPF/ 648TCHSF
16	G3-Z15791	1/2/3/4	KNOB ASSY LG GAS KEYR	615TF / 624TF / 636TF / 648TF
	I4-Z15484		2/3/4	KNOB ASSY LG GAS KEYB
				624TCHSF / 636TCHSF / 648TCHSF

2M-Z16008 Star-Max Gas Griddles

**IMPORTANT: WHEN ORDERING, SPECIFY VOLTAGE OR TYPE GAS DESIRED
INCLUDE MODEL AND SERIAL NUMBER**

**PAGE 1
OF 3**

Some items are included for illustrative purposes only and in certain instances may not be available.



Star International Holdings, Inc. Company

PARTS LIST

June 13, 2012, Rev -

Model: 615, 624, 636, 648 Star-Max Gas Griddles				
Fig No	Part No	Qty	Description	Application
17	2M-Z15804	1	STAR-MAX LOGO	ALL
18	G3-Z15797	1	FRONT PANEL	615MF
	G3-Z15798			615TF
	G3-Z15799			624MF
	G3-Z15806			624TF, 624TSPF, 624TCHSF
	G3-Z15807			636MF
	G3-Z15808			636TF, 636TSPF, 636TCHSF
	G3-Z15809			648MF
	G3-Z15810			648TF, 648TSPF, 648TCHSF
19	2C-8477	3	CLIP .125 PO STL PHOS	ALL
20	G3-Z5946	1/2/3/4	BURNER COVER	ALL 615 / 624 / 636 / 648
21	G3-Z5905	1	CENTER WALL	615MF, 615TF
	G3-Z5915			624MF, 624TF, 624TSPF, 624TCHSF
	G3-Z5925			636MF, 636TF, 636TSPF, 636TCHSF
	G3-Z5935			648MF, 648TF, 648TSPF, 648TCHSF
22	2F-Z5949	1/2/3/4	BURNER	ALL 615 / 624 / 636 / 648
23	2K-Z5960	1	MANIFOLD	615MF
	2K-Z5961			615TF
	2K-Z5962			624MF, 624MFS
	2K-Z5963			624TF, 624TSPF, 624TCHSF
	2K-Z5964			636MF, 636MFS
	2K-Z5965			636TF, 636TSPF, 636TCHSF
	2K-Z5966			648MF, 648MFS
	2K-Z5967			648TF, 648TSPF, 648TCHSF
24	2J-Z0792	1	PRESSURE REGULATOR	NAT UNITS
	H3-Z4557		REGULATOR-GAS 3/4 NPT LP	LP UNITS
25	2V-Y8832	1/2/3/4	VALVE-MANUAL GAS	615MF / 624MF / 636MF / 648MF
26	2V-Z6647	1/2/3/4	PILOT BURNER	615MF / 624MF / 636MF / 648MF
				615TF / 624TF / 636TF / 648TF
27	2V-6671	1/2/3/4	PILOT VALVE	ALL 615 / 624 / 636 / 648
28	2P-1453	1	PIPE PLUG	615MF, 624MF, 636MF, 648MF
		3/4/5		624TSPF / 636TSPF / 648TSPF 624TCHSF / 636TCHSF / 648TCHSF
29	2A-Y1255	2/3/4	ORIFICE PROPANE	624 / 636 / 648 LP
	2A-Z4930	1/2/3/4	ORIFICE #41, NAT	624 / 636 / 648 NAT
30	2K-Z5968	2/3/4	FITTING 1/4 MPT X 3/8 CC	624TSPF / 636TSPF / 648TSPF
				624TCHSF / 636TCHSF / 648TCHSF
31	2K-Z4921	2/3/4	BURNER TUBE	624TSPF / 636TSPF / 648TSPF
		1/2/3/4		615TF / 624TF / 636TF / 648TF
32	2K-Z6081	2/3/4	PILOT TUBE	624TSPF / 636TSPF / 648TSPF

2M-Z16008 Star-Max Gas Griddles

**IMPORTANT: WHEN ORDERING, SPECIFY VOLTAGE OR TYPE GAS DESIRED
INCLUDE MODEL AND SERIAL NUMBER**

PAGE 2
OF 3

Some items are included for illustrative purposes only and in certain instances may not be available.



Star International Holdings, Inc. Company

PARTS LIST

June 13, 2012, Rev -

Model: 615, 624, 636, 648 Star-Max Gas Griddles				
Fig No	Part No	Qty	Description	Application
33	2J-Z0804	2/3/4	THERMOCOUPLE-PILOT	624TSPF / 636TSPF / 648TSPF
				624TCHSF / 636TCHSF / 648TCHSF
34	G3-Z6124	2/3/4	PILOT BRACKET	624TSPF / 636TSPF / 648TSPF
				624TCHSF / 636TCHSF / 648TCHSF
35	2A-9369	1/2/3/4	ORIFICE FITTING	615TF / 624TF / 636TF / 648TF
		2/3/4		624TSPF / 636TSPF / 648TSPF
				624TCHSF / 636TCHSF / 648TCHSF
36	2K-Y7111	1/2/3/4	ELBOW 1/4 MBT X 3/8 CC	615TF / 624TF / 636TF / 648TF
37	2T-Z4293	1/2/3/4	THERMOSTAT	615TF / 624TF / 636TF / 648TF
38	2J-Z5959	2/3/4	COMBINATION CONTROL	624TSPF / 636TSPF / 648TSPF
				624TCHSF / 636TCHSF / 648TCHSF
39	2T-Y7590	1/2/3/4	STEM-T-STAT	615TF / 624TF / 636TF / 648TF

2M-Z16008 Star-Max Gas Griddles

**IMPORTANT: WHEN ORDERING, SPECIFY VOLTAGE OR TYPE GAS DESIRED
INCLUDE MODEL AND SERIAL NUMBER**

PAGE 3
OF 3

Some items are included for illustrative purposes only and in certain instances may not be available.



Star International Holdings, Inc. Company