

DR. RDL CK. BL DATE 04/30/03

TOLERANCES UNLESS OTHERWISE NOTED
FRACTIONS ±1/64 DECIMALS ±.005 ANGLES ±1°

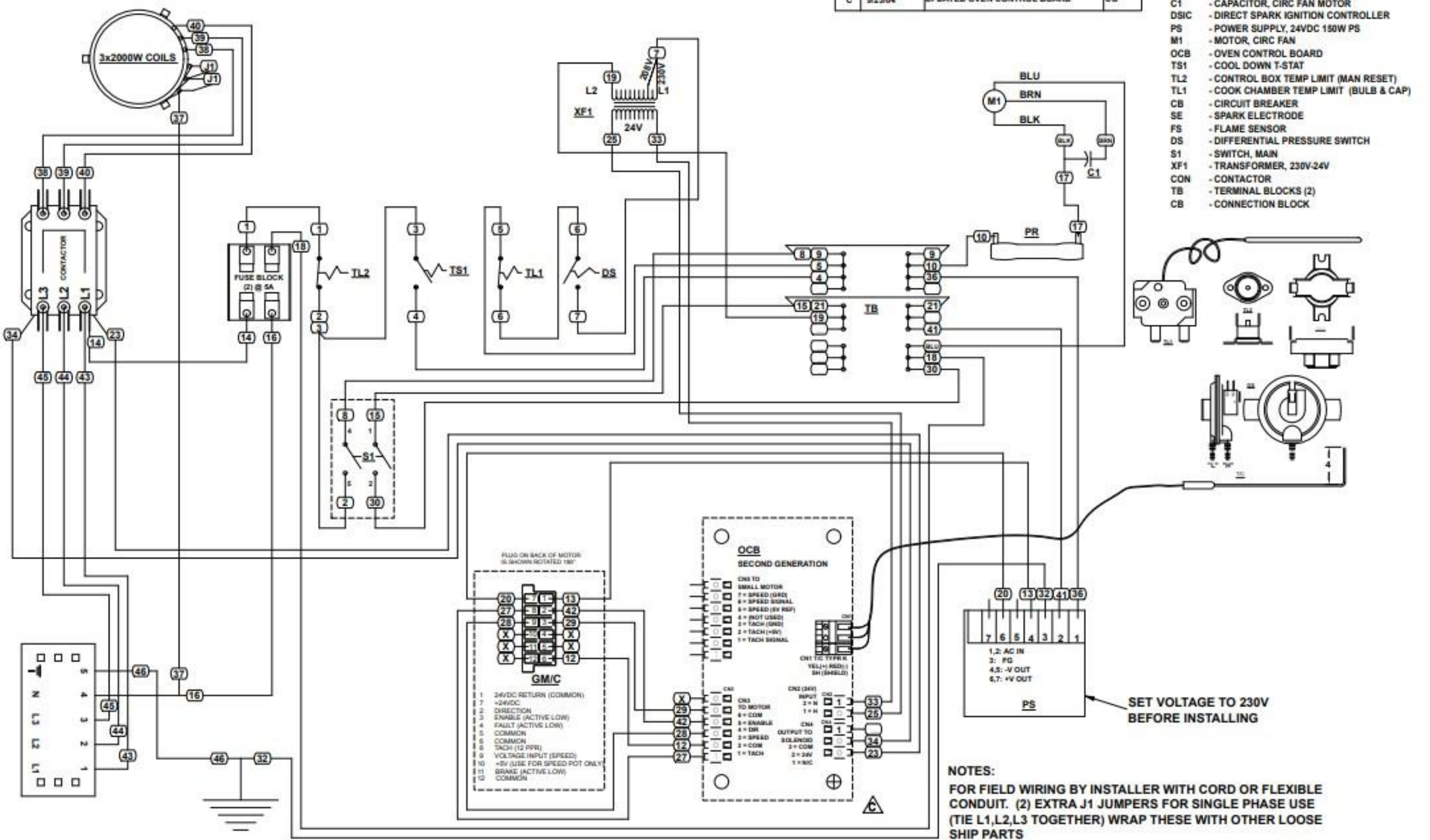
MATERIAL ---
FINISH ---

MODEL NO. **UM-1833**
PART NO. **SK-1987**
TITLE **WIRING DIAGRAM, 400/230**

REVISIONS	LTR	DATE	DESCRIPTION OF CHANGE	DR
A	09/15/03		ADD 2ND GENERATION CONTROLLER	RDL
B	03/28/04		SHOW BEND IN T/C FOR NEW MOUNT	RDL
C	9/23/04		UPDATED OVEN CONTROL BOARD	CG

THIS DRAWING CONTAINS INFORMATION CONFIDENTIAL TO STAR MFG. INT'L INC.
NO REPRODUCTION OR DISCLOSURE OF ITS CONTENTS IS PERMITTED.

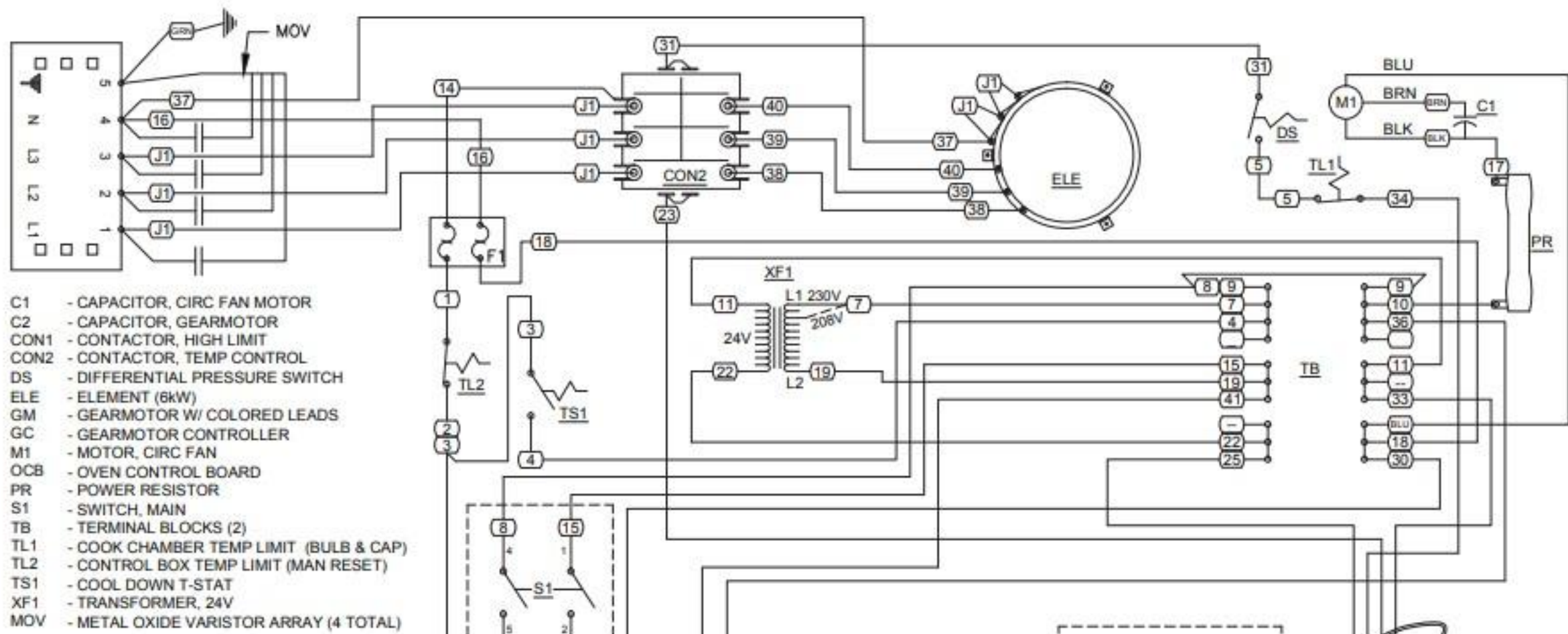
- GM/C - GEARMOTOR & CONTROLLER
- C1 - CAPACITOR, CIRC FAN MOTOR
- DSIC - DIRECT SPARK IGNITION CONTROLLER
- PS - POWER SUPPLY, 24VDC 150W PS
- M1 - MOTOR, CIRC FAN
- OCB - OVEN CONTROL BOARD
- TS1 - COOL DOWN T-STAT
- TL2 - CONTROL BOX TEMP LIMIT (MAN RESET)
- TL1 - COOK CHAMBER TEMP LIMIT (BULB & CAP)
- CB - CIRCUIT BREAKER
- SE - SPARK ELECTRODE
- FS - FLAME SENSOR
- DS - DIFFERENTIAL PRESSURE SWITCH
- S1 - SWITCH, MAIN
- XF1 - TRANSFORMER, 230V-24V
- CON - CONTACTOR
- TB - TERMINAL BLOCKS (2)
- CB - CONNECTION BLOCK



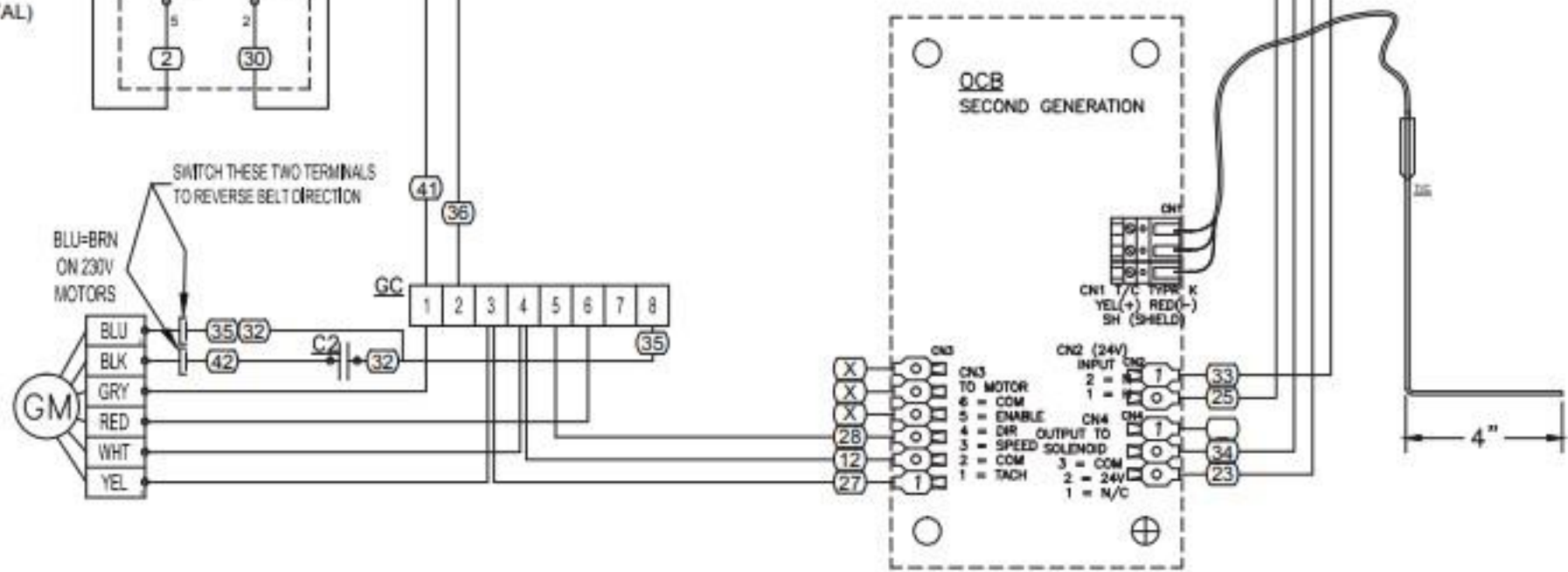
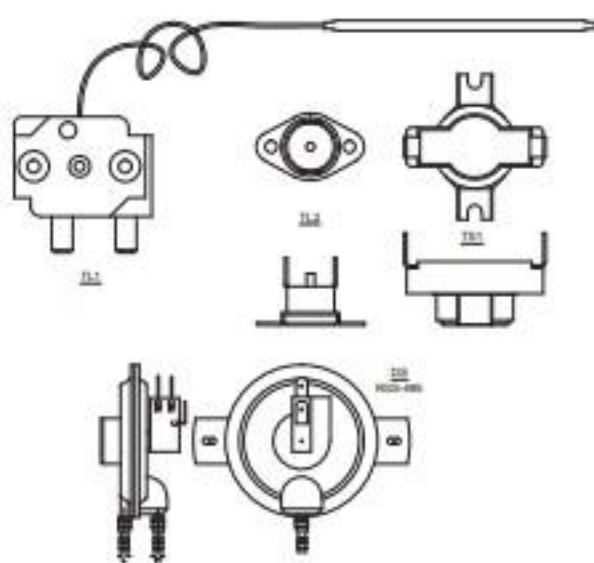
SET VOLTAGE TO 230V BEFORE INSTALLING

NOTES:
FOR FIELD WIRING BY INSTALLER WITH CORD OR FLEXIBLE CONDUIT. (2) EXTRA J1 JUMPERS FOR SINGLE PHASE USE (TIE L1,L2,L3 TOGETHER) WRAP THESE WITH OTHER LOOSE SHIP PARTS

**INCLUDE THIS PRINTED DIAGRAM
W/ MANUAL & INSTALLATION INFO**




- C1 - CAPACITOR, CIRC FAN MOTOR
- C2 - CAPACITOR, GEARMOTOR
- CON1 - CONTACTOR, HIGH LIMIT
- CON2 - CONTACTOR, TEMP CONTROL
- DS - DIFFERENTIAL PRESSURE SWITCH
- ELE - ELEMENT (6kW)
- GM - GEARMOTOR W/ COLORED LEADS
- GC - GEARMOTOR CONTROLLER
- M1 - MOTOR, CIRC FAN
- OCB - OVEN CONTROL BOARD
- PR - POWER RESISTOR
- S1 - SWITCH, MAIN
- TB - TERMINAL BLOCKS (2)
- TL1 - COOK CHAMBER TEMP LIMIT (BULB & CAP)
- TL2 - CONTROL BOX TEMP LIMIT (MAN RESET)
- TS1 - COOL DOWN T-STAT
- XF1 - TRANSFORMER, 24V
- MOV - METAL OXIDE VARISTOR ARRAY (4 TOTAL)



CUSTOMER RESPONSIBLE FOR FINAL
INSTALLATION PER LOCAL CODES.
DEDICATED 3Ø 20A CIRCUIT REQUIRED.
CORD OR CONDUIT CONNECTED AS
ALLOWED/REQUIRED BY LOCAL CODE.

MODEL: UME 230/3Ø


STAR MANUFACTURING INTERNATIONAL, INC.
2M-Z13288 REVA 2010-07-27 DR: RDL