

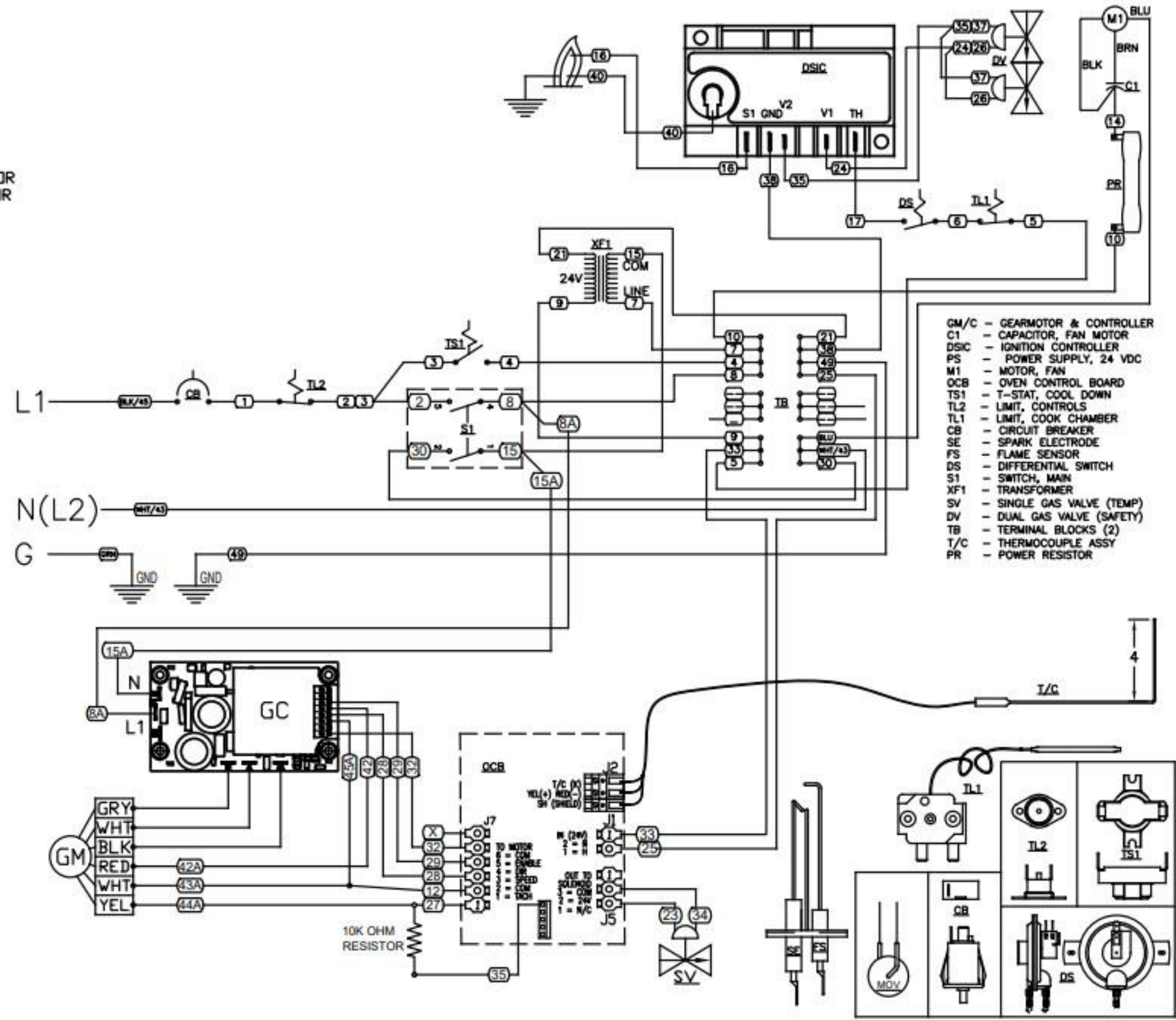
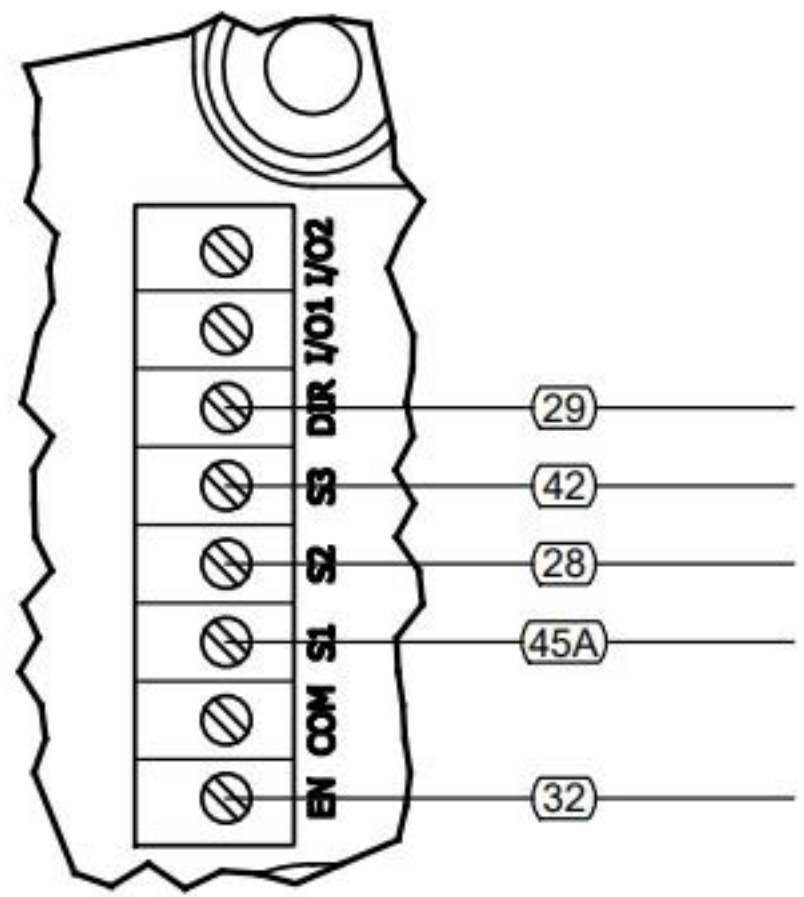


GRAY WIRE FROM MOTOR GOES TO 'U' CONNECTOR ON BOARD

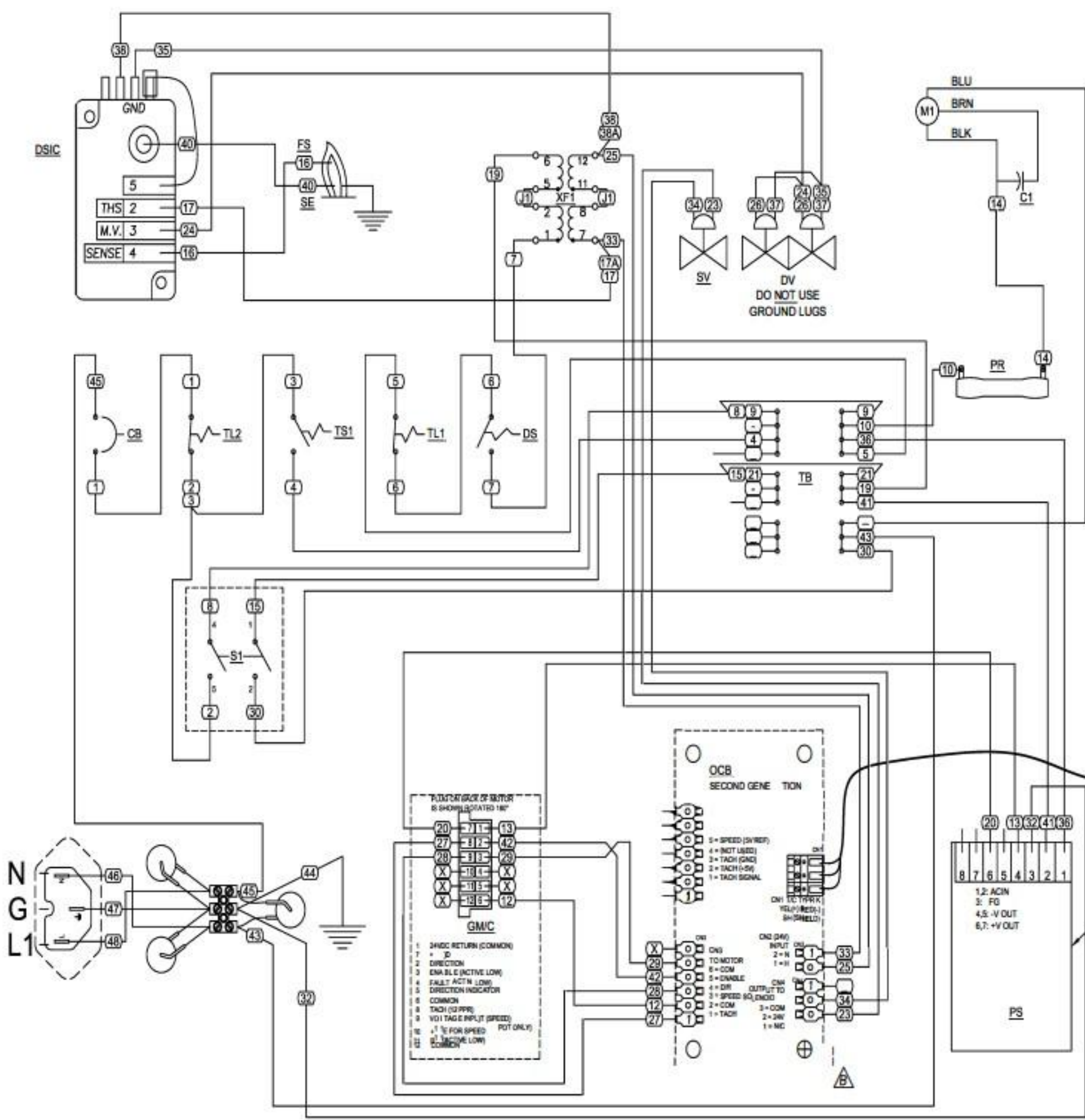
BLACK WIRE FROM MOTOR GOES TO 'W' CONNECTOR ON BOARD

WHITE WIRE FROM MOTOR GOES TO 'V' CONNECTOR ON BOARD

GEARMOTOR CONTROLLER WIRING DETAIL



- GM/C - GEARMOTOR & CONTROLLER
- C1 - CAPACITOR, FAN MOTOR
- DSIC - IGNITION CONTROLLER
- PS - POWER SUPPLY, 24 VDC
- M1 - MOTOR, FAN
- OCB - OVEN CONTROL BOARD
- TS1 - T-STAT, COOL DOWN
- TL2 - LIMIT, CONTROLS
- TL1 - LIMIT, COOK CHAMBER
- CB - CIRCUIT BREAKER
- SE - SPARK ELECTRODE
- FS - FLAME SENSOR
- DS - DIFFERENTIAL SWITCH
- S1 - SWITCH, MAIN
- XF1 - TRANSFORMER
- SV - SINGLE GAS VALVE (TEMP)
- DV - DUAL GAS VALVE (SAFETY)
- TB - TERMINAL BLOCKS (2)
- T/C - THERMOCOUPLE ASSY
- PR - POWER RESISTOR



- GMC - GEARMOTOR & CONTROLLER
- C1 - CAPACITOR, CIRC FAN MOTOR
- DSIC - DIRECT SPARK IGNITION CONTROLLER PS - POWER SUPPLY, 24VDC 150W PS
- M1 - MOTOR, CIRC FAN
- OCB - OVEN CONTROL BOARD
- TS1 - COOL DOWN T-STAT
- TL 2 - CONTROL BOX TEMP LIMIT (MAN RESET)
- TL1 - COOK CHAMBER TEMP LIMIT (BULB & CAP)
- CB - CIRCUIT BREAKER
- SE - SPARK ELECTRODE
- FS - FLAME SENSOR
- DS - DIFFERENTIAL PRESSURE SWITCH
- S1 - SWITCH, MAIN
- XF1 - TRANSFORMER, 24V
- SV - SINGLE VALVE
- DV - DUAL VALVE (COMBI)
- TB - TERMINAL BLOCKS (2)
- T/C - THERMOCOUPLE ASSY
- PR - POWER RESISTOR MOV
- METAL OXIDE VARISTOR

