



Model E131I2 / F131I2
SERVICE MANUAL

Manual No. [513682](#)

Rev.1

This manual provides basic information about the machine. Instructions and suggestions are given covering its operation and care.

The illustrations and specifications are not binding in detail. We reserve the right to make changes to the machine without notice, and without incurring any obligation to modify or provide new parts for machines built prior to date of change.

DO NOT ATTEMPT to operate the machine until instructions and safety precautions in this manual are read completely and are thoroughly understood. If problems develop or questions arise in connection with installation, operation, or servicing of the machine, contact Stoelting.



stoeltingfoodservice.com

Stoelting Foodservice Equipment
502 Highway 67
Kiel, WI 53042-1600
U.S.A.

Main Tel: 800.558.5807
Fax: 920.894.7029

Customer Service: 888.429.5920
Fax: 800.545.0662
Email: foodservice@stoelting.com

© 2014 PW Stoelting, LLC

A Few Words About Safety

Safety Information

Read and understand the entire manual before operating or maintaining Stoelting equipment.

This manual provides the operator with information for the safe operation and maintenance of Stoelting equipment. As with any machine, there are hazards associated with their operation. For this reason safety is emphasized throughout the manual. To highlight specific safety information, the following safety definitions are provided to assist the reader.

The purpose of safety symbols is to attract your attention to possible dangers. The safety symbols, and their explanations, deserve your careful attention and understanding. The safety warnings do not by themselves eliminate any danger. The instructions or warnings they give are not substitutes for proper accident prevention measures.

If you need to replace a part, use genuine Stoelting parts with the correct part number or an equivalent part. We strongly recommend that you do not use replacement parts of inferior quality.



Safety Alert Symbol:

This symbol Indicates danger, warning or caution. Attention is required in order to avoid serious personal injury. The message that follows the symbol contains important information about safety.

Signal Word:

Signal words are distinctive words used throughout this manual that alert the reader to the existence and relative degree of a hazard.



The signal word “WARNING” indicates a potentially hazardous situation, which, if not avoided, may result in death or serious injury and equipment/property damage.



The signal word “CAUTION” indicates a potentially hazardous situation, which, if not avoided, may result in minor or moderate injury and equipment/property damage.

CAUTION

The signal word “CAUTION” not preceded by the safety alert symbol indicates a potentially hazardous situation, which, if not avoided, may result in equipment/property damage.

NOTE (or NOTICE)

The signal word “NOTICE” indicates information or procedures that relate directly or indirectly to the safety of personnel or equipment/property.

TABLE OF CONTENTS

Section	Description	Page
1	Description And Specifications	
1.1	Description.....	1
1.2	Specifications	1
1.3	Component Settings	3
2	Refrigeration Diagram and Wiring Diagrams	
2.1	Refrigeration Diagram	5
2.2	Wiring Diagram.....	6
3	Replacement Parts	
3.1	Brushes, Decals and Lubrication.....	11
3.2	Spigot Extension.....	11
3.3	Auger Shaft and Front Door	12
3.4	Spigot Cam Assembly	14
3.5	Stainless Steel Panels.....	14
3.6	Rear (Air Cooled).....	15
3.7	Left Side	16
3.8	Front (Water Cooled	17
3.9	Electrical Components.....	18

SECTION 1 DESCRIPTION AND SPECIFICATIONS

1.1 DESCRIPTION

The Stoelting E131I2 and F131I2 counter-top machines are gravity fed. The machines are equipped with the IntelliTec2™ control which provides a uniform product. The machines are designed to operate with almost any type of commercial soft serve or non-dairy mixes available, including: ice milk, ice cream, yogurt, and frozen dietary desserts.

This manual is designed to assist qualified service personnel and operators in the installation, operation and maintenance of the Stoelting E131I2 and F131I2 gravity machines.



Figure 1-1 Model F131 I2

1.2 SPECIFICATIONS

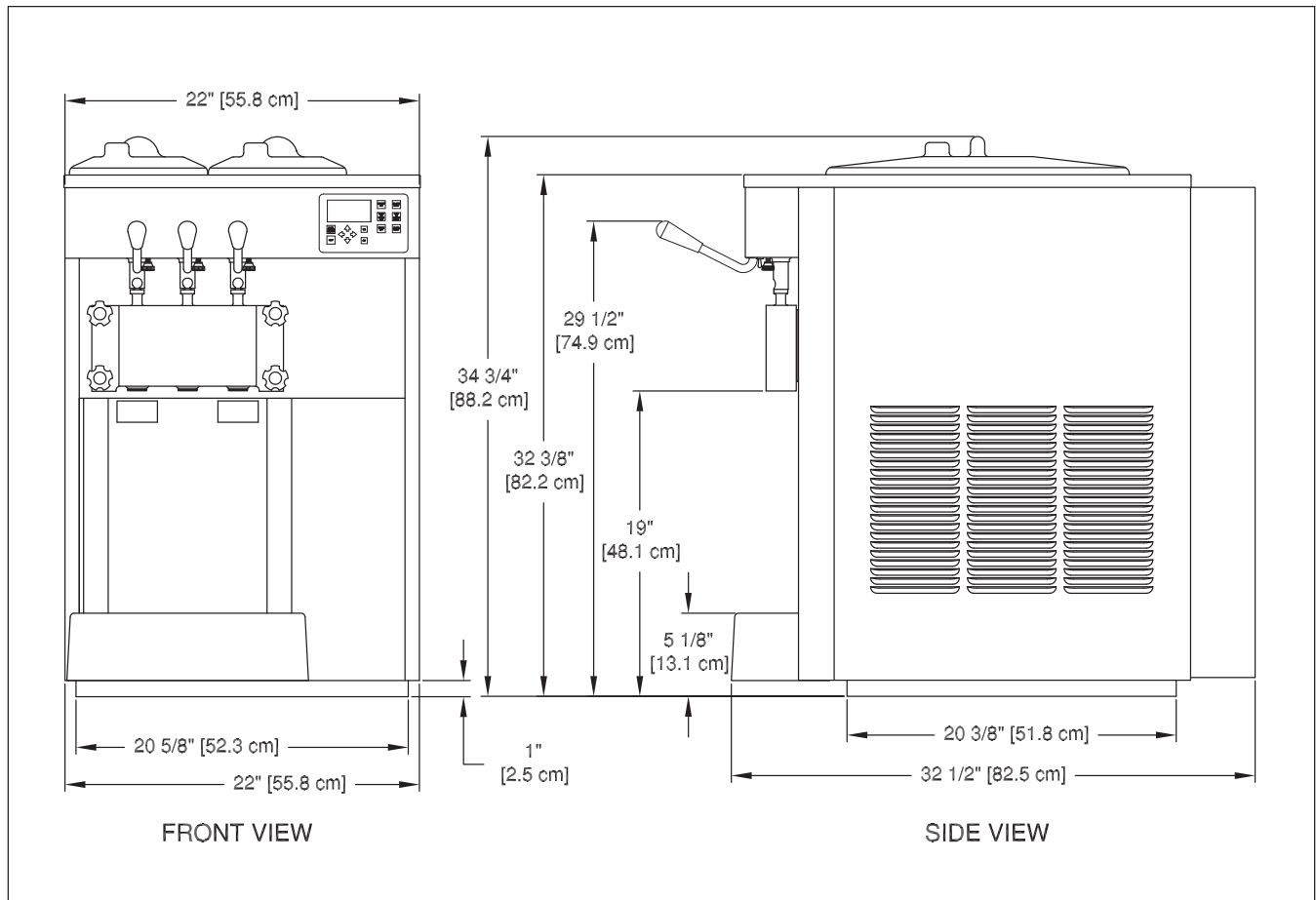


Figure 1-2 Specification

1.2 SPECIFICATIONS

		Model E131I2	
Dimensions width height depth	Machine	with crate	
		22" (55,9 cm)	28" (71,1 cm)
		34-3/4" (88,3 cm)	40-1/4" (102,2 cm)
	28-1/2" (72,4 cm)	35-1/4" (89,5 cm)	
Weight	370 lbs (167,8 kg)	450 lbs (204,1 kg)	
Electrical running amps connection type	1 Phase, 208-240 VAC, 60Hz	3 Phase, 208-240 VAC, 60Hz	
	12A Air-Cooled / 11A Water-Cooled NEMA6-20P power cord provided	10A NEMA L15-20P power cord provided	
International Option	1 Phase, 220-240 VAC, 50Hz		
Compressor	8,600 Btu/hr (R-404A)		
Drive Motor	Two - 3/4 hp		
Air Flow	Air cooled units require 3" (7,6 cm) air space on both sides		
Plumbing Fittings	Water cooled units require 3/8" N.P.T. water and drain fittings.		
Hopper Volume	Two - 3 gallon (11,35 liters)		
Freezing Cylinder Volume	Two - 0.65 gallon (2,46 liters)		

E131 I2	
Refrigerant	R-404A
Charge	(W/C) 26 oz (A/C) 32 oz
Suction Pressure (at 72°F)	One Cylinder 18-22 psig Both Cylinders 22-27 psig Hopper Only 14 psig
Discharge Pressure	225-235 psig
Hot Gas Bypass Pressure	14 psig (only hopper running)
EPR Valve	69-71 psig

Model F131I2		
Dimensions width height depth	Machine	with crate
	22" (55,9 cm)	28" (71,1 cm)
	34-3/4" (88,3 cm)	40-1/4" (102,2 cm)
	28-1/2" (72,4 cm)	35-1/4" (89,5 cm)
Weight	385 lbs (174,6 kg)	470 lbs (213,1 kg)
Electrical running amps connection type	1 Phase, 208-240 VAC, 60Hz 12A NEMA6-20P power cord provided	3 Phase, 208-240 VAC, 60Hz 10A NEMA L15-20P power cord provided
	International Option	1 Phase, 220-240 VAC, 50Hz
Compressor	12,000 Btu/hr (R-404A)	
Drive Motor	Two - 3/4 hp	
Air Flow	Air cooled units require 3" (7,6 cm) air space on both sides	
Plumbing Fittings	Water cooled units require 3/8" N.P.T. water and drain fittings.	
Hopper Volume	Two - 3 gallon (11,35 liters)	
Freezing Cylinder Volume	Two - 0.85 gallon (3,22 liters)	

F131 I2	
Refrigerant	R-404A
Charge	(W/C) 32 oz (A/C) 42 oz
Suction Pressure (at 72°F)	One Cylinder 18-22 psig Hopper Only 14 psig
Discharge Pressure	225-235 psig
Hot Gas Bypass Pressure	14 psig (only hopper running)
EPR Valve	68-70 psig

1.3 COMPONENT SETTINGS

Following are the settings for the components in the F131 I2 machine.

A. COMPRESSOR WINDINGS

When testing the compressor windings the resistance through the windings should be as follows:

Compressor	Electrical	S to C	R to C
282122	1 PH 60Hz	3.09Ω	1.27Ω
282123	3 PH 60Hz	2.75Ω	1.60Ω
282032-SV	1 PH 60Hz	3.10Ω	1.16Ω
282050	1 PH 50Hz	3.79Ω	1.39Ω
282110	1 PH 50Hz	3.95Ω	1.47Ω
282118	3 PH 50Hz	7.40Ω	0.00Ω

B. CAPACITORS

Refer to the following tables for the capacitance of all the capacitors in the machine:

E131 I2		Rating	
Capacitor	Part	MFD	VAC
Compressor (50 Hz) - Start	230663	80-106 MFD	330 VAC
Compressor (60 Hz) - Start	231040	108-130 MFD	330 VAC
Compressor (50/60 Hz) - Run	230662	30 MFD	440 VAC
Motor (60 Hz) - Start	231095	500 MFD	125 VAC
Motor (50 Hz) - Start	231097	100-120 MFD	250 VAC
Motor (60 Hz) - Run (1 3/4")	231068	50 MFD	240 VAC
Motor (60 Hz) - Run (2")	231078	50 MFD	370 VAC
Motor (50 Hz) - Run	231098	12.5 MFD	370 VAC

F131 I2		Rating	
Capacitor	Part	MFD	VAC
Compressor (50 Hz) - Start	230649	130-156 MFD	250 VAC
Compressor (60 Hz) - Start	231079	145-174 MFD	220 VAC
Compressor (50/60 Hz) - Run	231084	30 MFD	370 VAC
Motor (50 Hz) - Start	231097	100-120 MFD	250 VAC
Motor (60 Hz) - Start	231095	500 MFD	125 VAC
Motor (60 Hz) - Run (1 3/4")	231068	50 MFD	240 VAC
Motor (60 Hz) - Run (2")	231078	50 MFD	370 VAC
Motor (50 Hz) - Run	231098	12.5 MFD	370 VAC

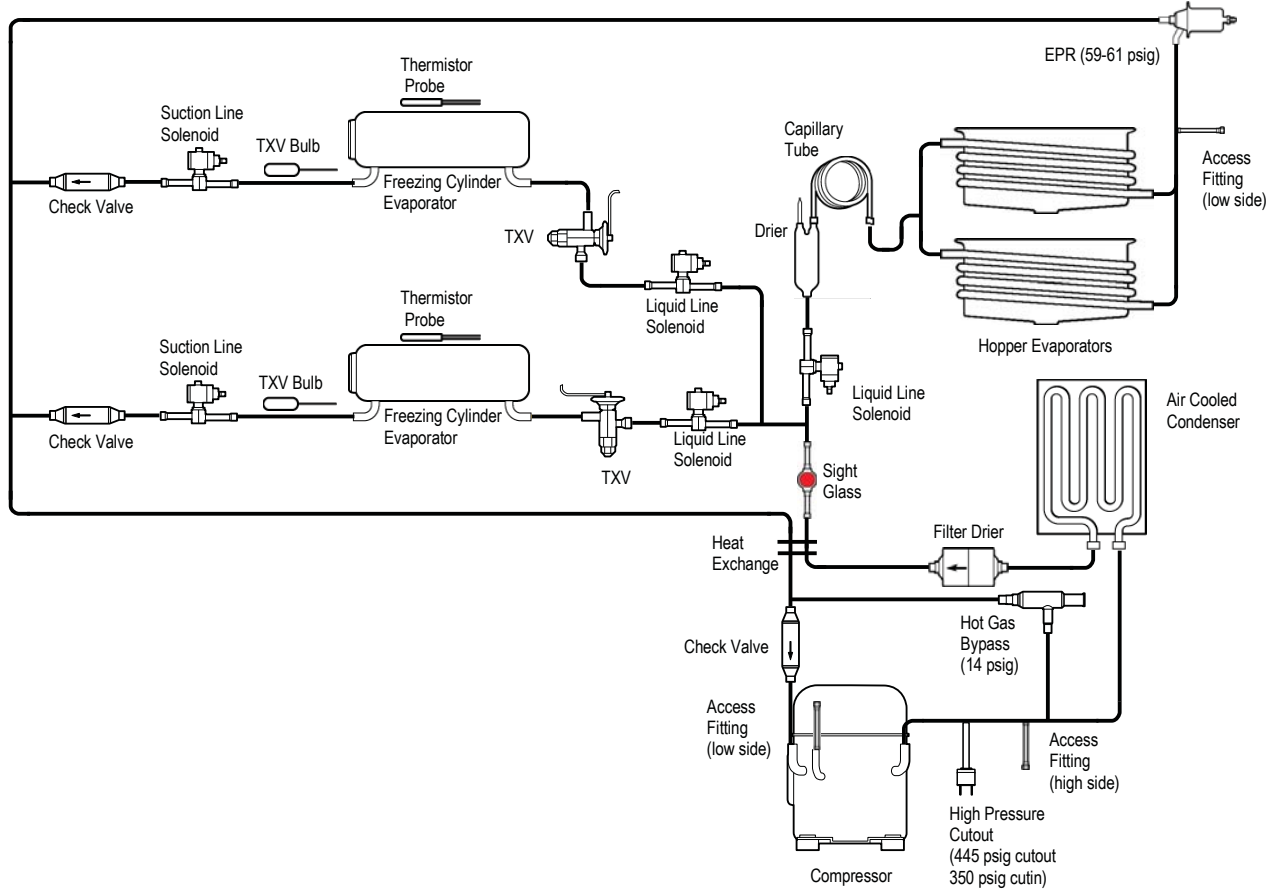
D. TEMPERATURE CONTROL SENSOR

The following table shows the relationship between the thermistor resistance and the suction line temperature.

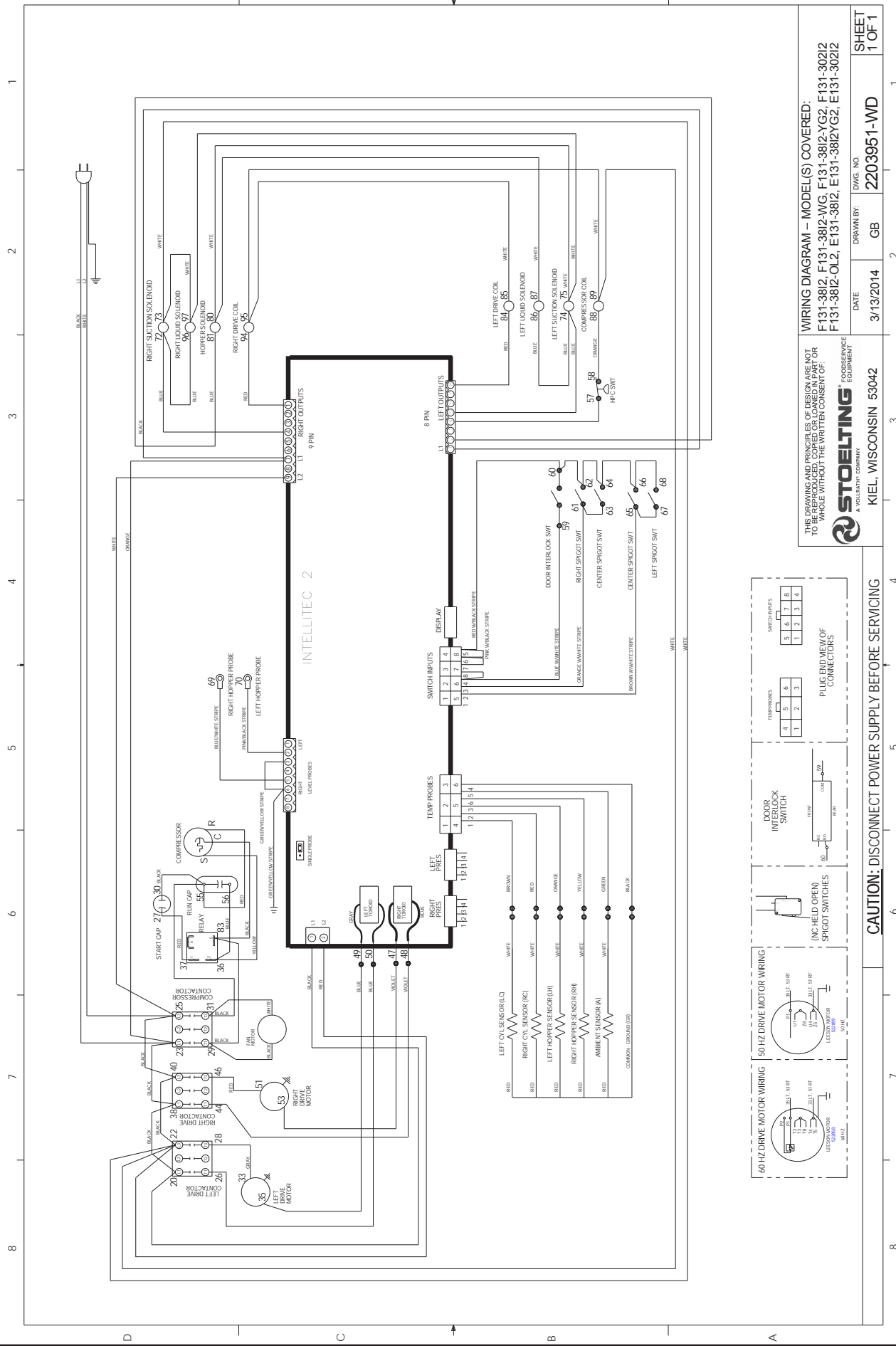
°F	Resistance	°F	Resistance
-22	176950	40	26100
-20	165200	42	24725
-18	154300	44	23400
-16	144200	46	22175
-14	134825	48	21000
-12	126125	50	19900
-10	118050	52	18875
-8	110550	54	17900
-6	103550	56	17000
-4	97075	58	16125
-2	91025	60	15325
0	85400	62	14550
2	80150	64	13825
4	75275	66	13150
6	70725	68	12500
8	66475	70	11875
10	62500	72	11300
12	58800	74	10750
14	55325	76	10250
16	52100	78	9750
18	49075	80	9300
20	46250	82	8850
22	43600	84	8450
24	41125	86	8050
26	38800	88	7675
28	36625	90	7325
30	34575	92	7000
32	32675	94	6675
34	30875	96	6375
36	29175	98	6100
38	27600	100	5825

SECTION 2 REFRIGERATION DIAGRAM AND WIRING DIAGRAMS

2.1 REFRIGERATION DIAGRAM



2.2 WIRING DIAGRAM



THIS DRAWING AND PRINCIPLES OF DESIGN ARE NOT TO BE REPRODUCED OR TRANSMITTED IN ANY FORM OR BY ANY MEANS, ELECTRONIC OR MECHANICAL, INCLUDING PHOTOCOPYING, RECORDING, OR BY ANY INFORMATION STORAGE AND RETRIEVAL SYSTEM, WITHOUT THE WRITTEN CONSENT OF:

STOELTING
A FOSTER WHEEL COMPANY
KIEL, WISCONSIN 53042

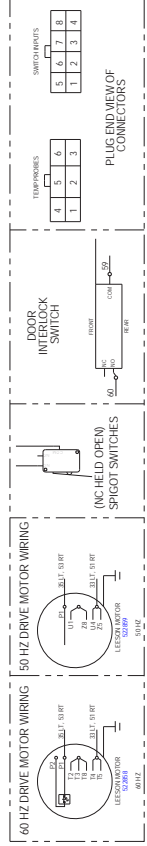
FOODSERVICE EQUIPMENT

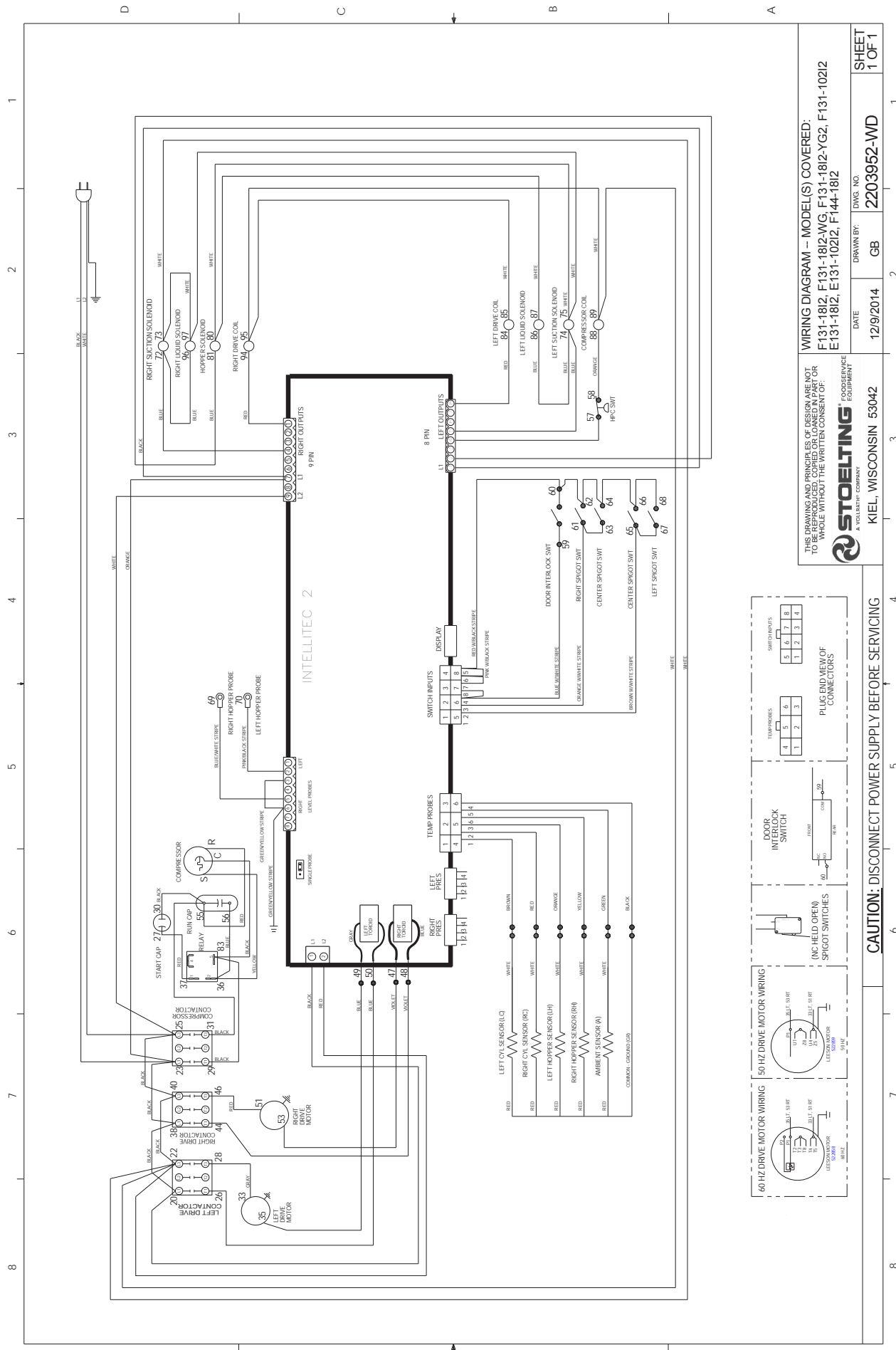
DATE: 3/13/2014
DRAWN BY: GB
DWG. NO.: 2203951-WD

WIRING DIAGRAM – MODEL(S) COVERED:
F131-3812, F131-3812-WG, F131-3812-YG2, F131-30212
F131-3812-OL2, E131-3812, E131-3812Y2, E131-30212

SHEET 1 OF 1

CAUTION: DISCONNECT POWER SUPPLY BEFORE SERVICING





THIS DRAWING AND PRINCIPLES OF DESIGN ARE NOT TO BE REPRODUCED OR TRANSMITTED IN ANY FORM OR BY ANY MEANS, ELECTRONIC OR MECHANICAL, INCLUDING PHOTOCOPYING, RECORDING, OR BY ANY INFORMATION STORAGE AND RETRIEVAL SYSTEM, WITHOUT THE WRITTEN CONSENT OF:

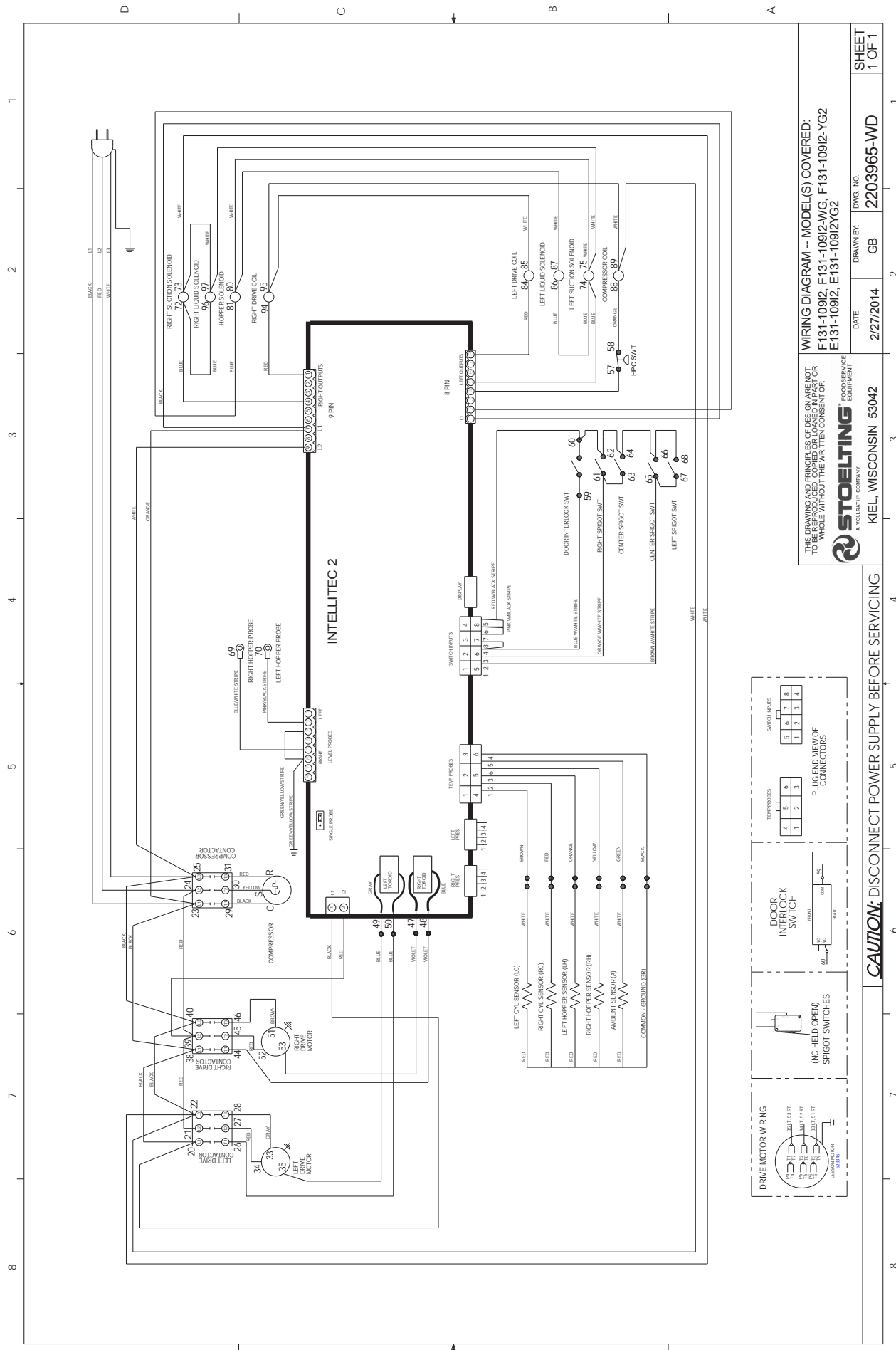
STOELTING
A FOSTER WHEEL COMPANY
FOODSERVICE EQUIPMENT
KIEL, WISCONSIN 53042

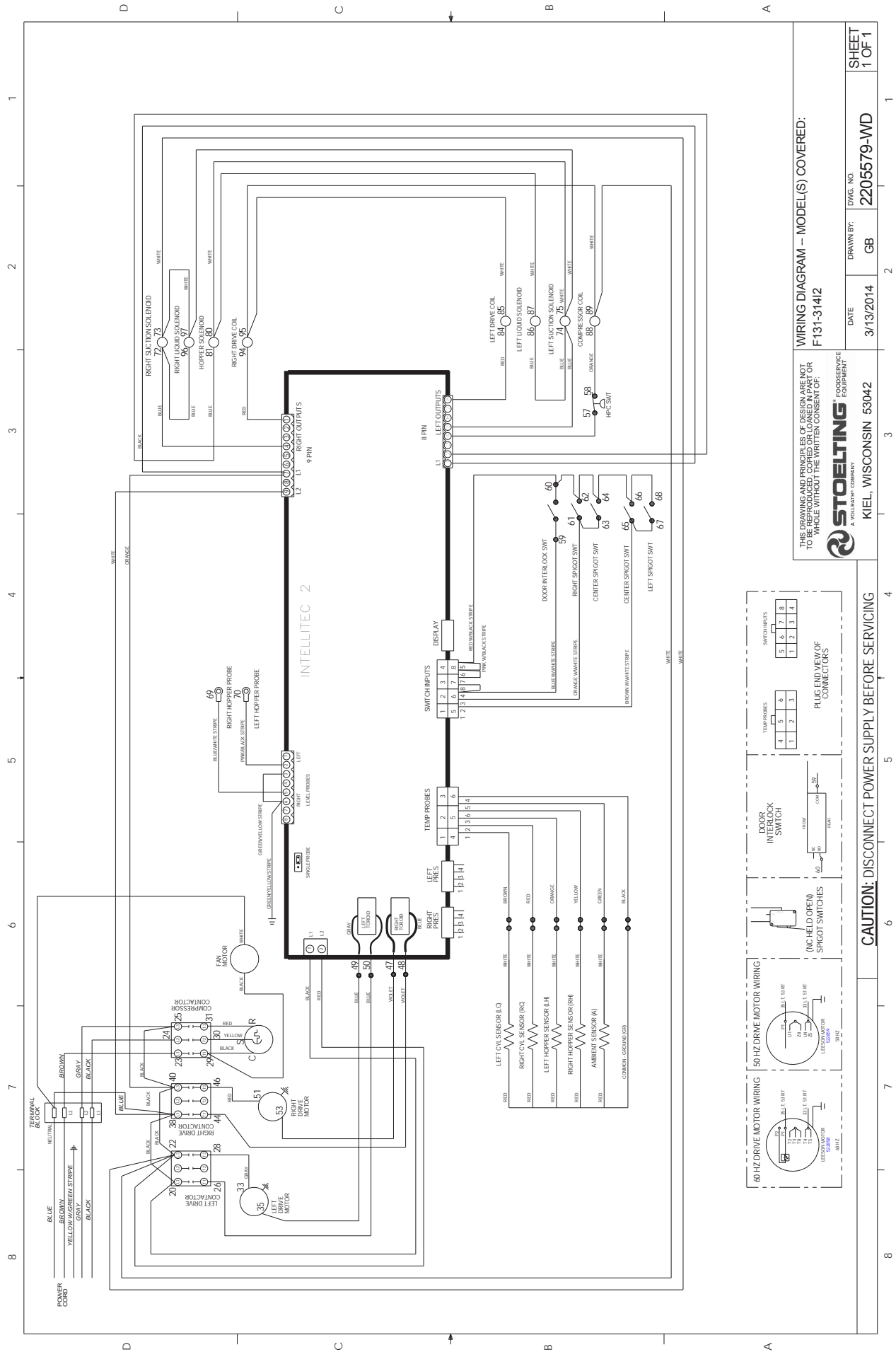
DATE: 12/9/2014
DRAWN BY: GB
DWG. NO.: 2203952-WD

WIRING DIAGRAM – MODEL(S) COVERED:
F131-1812, F131-1812AWG, F131-1812-YG2, F131-10212
E131-1812, E131-10212, F144-1812

SHEET 1 OF 1

CAUTION: DISCONNECT POWER SUPPLY BEFORE SERVICING





WIRING DIAGRAM – MODEL(S) COVERED:
F131-31412

THIS DRAWING AND PRINCIPLES OF DESIGN ARE NOT TO BE REPRODUCED OR TRANSMITTED IN ANY FORM OR BY ANY MEANS, ELECTRONIC OR MECHANICAL, INCLUDING PHOTOCOPYING, RECORDING, OR BY ANY INFORMATION STORAGE AND RETRIEVAL SYSTEM, WITHOUT THE WRITTEN CONSENT OF:
STOELTING FOODSERVICE EQUIPMENT
A FOSTER WHEELER COMPANY
KIEL, WISCONSIN 53042

DATE	DRAWN BY	DWG. NO.	SHEET
3/13/2014	GB	2205579-WD	1 OF 1

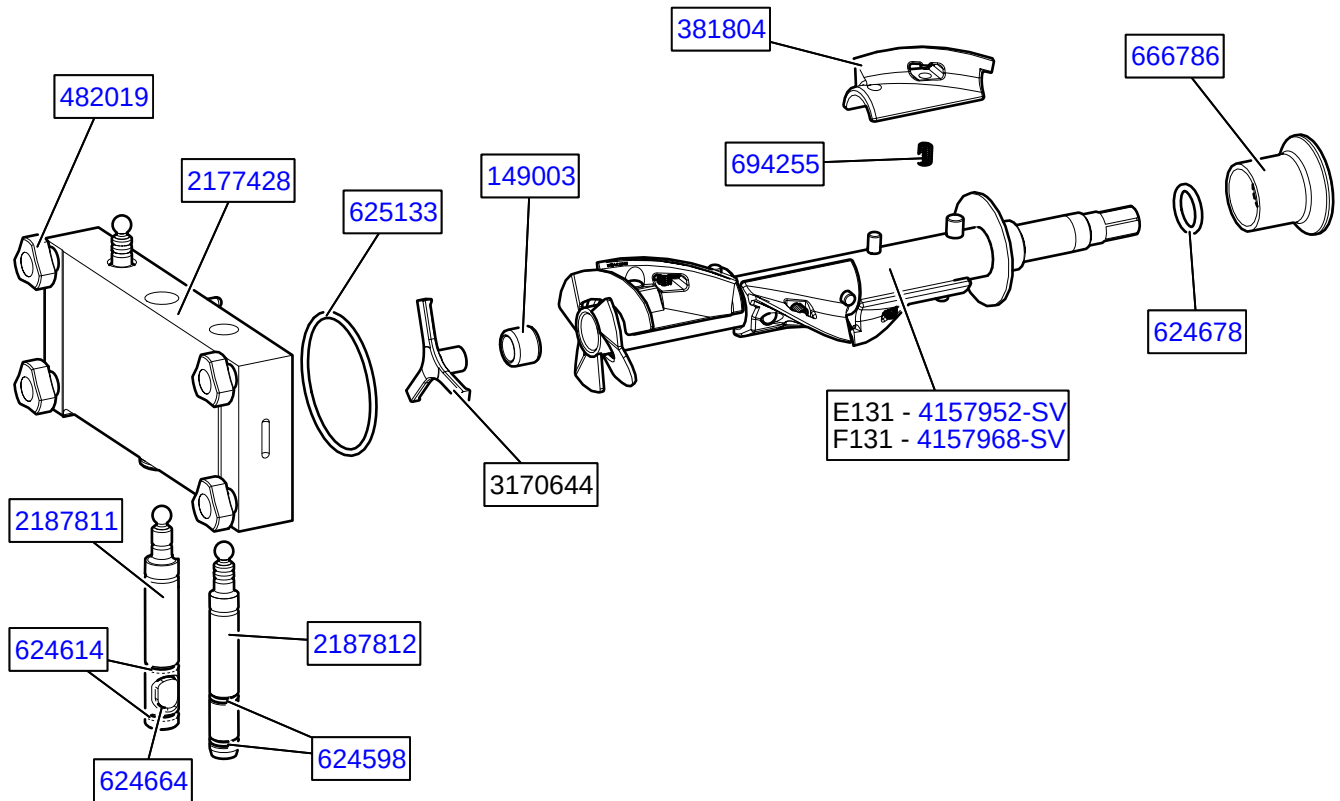
CAUTION: DISCONNECT POWER SUPPLY BEFORE SERVICING

SECTION 3 REPLACEMENT PARTS

3.1 BRUSHES, DECALS AND LUBRICATION

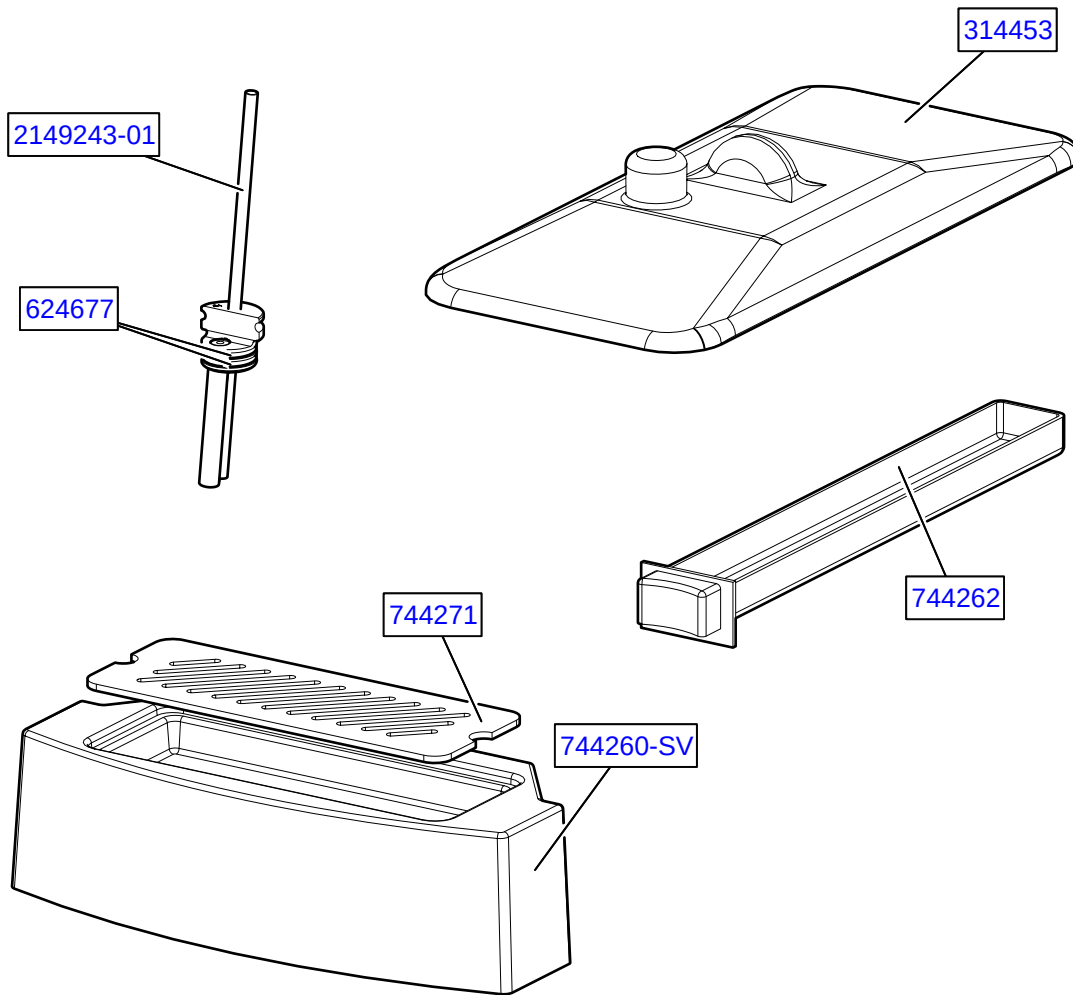
Part	Description	Quantity	
		E131	F131
C-1000-26C	Decal - Made In USA	1	1
208135	Brush - 4" X 8" X 16" (Barrel)	1	1
208380	Brush - 1/4" X 3" X 14"	1	1
208401	Brush - 1" X 3" X 10"	1	1
208467	Brush - 3/8" X 1" X 5"	1	1
232091	Cap - Protective (Gray) - #490716 Leg	4	4
232741	Cap - Rosette (6-Point Teardrop) (Translucent)	1	1
236059	Card - Cleaning Instructions	1	1
324065	Decal - Water Inlet	1	1
324105	Decal - Caution Electrical Shock	3	3
324106	Decal - Caution Electrical Wiring Materials	1	1
324107	Decal - Caution Hazardous Moving Parts	3	3
324141	Decal - Caution Rotating Blades	1	1
324208	Decal - Attention Refrigerant Leak Check	2	2
324509	Decal - Cleaning Instructions	1	1
324566	Decal - Wired According To	1	1
324584	Decal - Adequate Ventilation 3"	2	2
324594	Decal - Attention Heat Sensitive	4	4
324803	Decal - Domed Stoelting Logo (Large) (Header Panel)	1	1
324909	Decal - USB Port	1	1
324922	Decal - Assembly Check	1	1
324940	Decal - Thermistor ID	1	1
396241	Gasket - Freezer Base	1	1
490716	Leg	4	4
508048	Lubricant - Spline (2 oz Squeeze Tube)	1	1
508135	Petrol Gel - 4 oz Tube	1	1
513674	Manual - Operators	1	1
513682	Manual - Service	1	1
636080	DVD - IntelliTec2 Training	1	1
1159501	O-Ring & Bushing Kit	1	1
2177917	Brush Kit	1	1

3.3 AUGER SHAFT AND FRONT DOOR



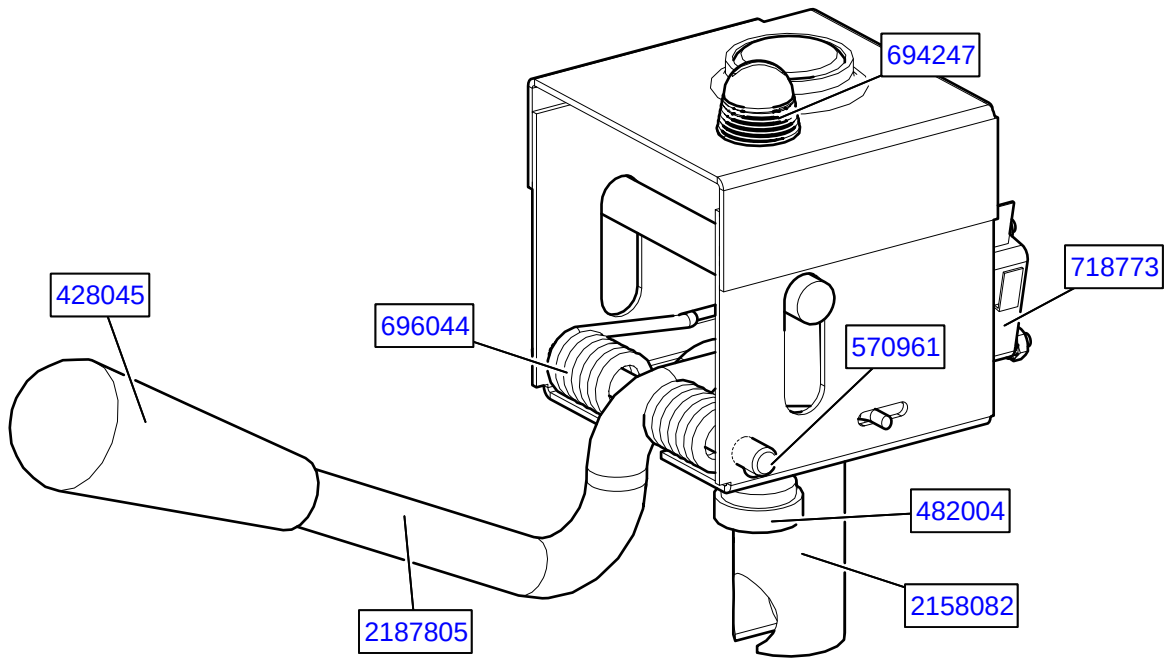
Part	Description	Quantity	
		E131	F131
149003	Bushing - Front Auger Support	2	2
381804	Auger Flight	3	4
482019	Knob - Front Door (Black)	4	4
624598-5	O-Ring - Outside Spigot - Black (5 Pack)	4	4
624614-5	O-Ring - Top & Bottom Center Spigot - Black (5 Pack)	2	2
624664-5	O-Ring - Middle Center Spigot - Black (5 Pack)	1	1
624678-5	O-Ring - Rear Seal - Black (5 Pack)	2	2
625133	O-Ring - Front Door - Red	2	2
666786	Seal - Rear Auger - Black	2	2
694255	Spring - Auger Flight	3	4
2177428	Door w/Pins	1	1
2187811	Spigot Body - Center	1	1
2187812	Spigot Body - Outer	2	2
2205440	Support - Front Auger	2	2
4157952-SV	Auger Shaft	1	
4157968-SV	Auger Shaft		1

3.3 HOPPER PARTS



Part	Description	Quantity	
		E131	F131
314453	Cover - Hopper	2	2
417006	Grid - Drip Tray (Vinyl Coated Metal) (YG2 Only)	1	
624677-5	O-Ring - Mix Inlet & Spigot Extension - Black (5 Pack)	2	2
744260-SV	Tray - Drip	1	1
744262	Tray - Drain (Black Plastic)	2	2
744271	Insert - Drip Tray (Black Plastic)	2	2
744273	Tray - Drip (YG2 Only)	1	
2149243-01	Mix Inlet Assembly - 3/16" Hole - Standard Length (2A)	2	2

3.4 SPIGOT CAM ASSEMBLY

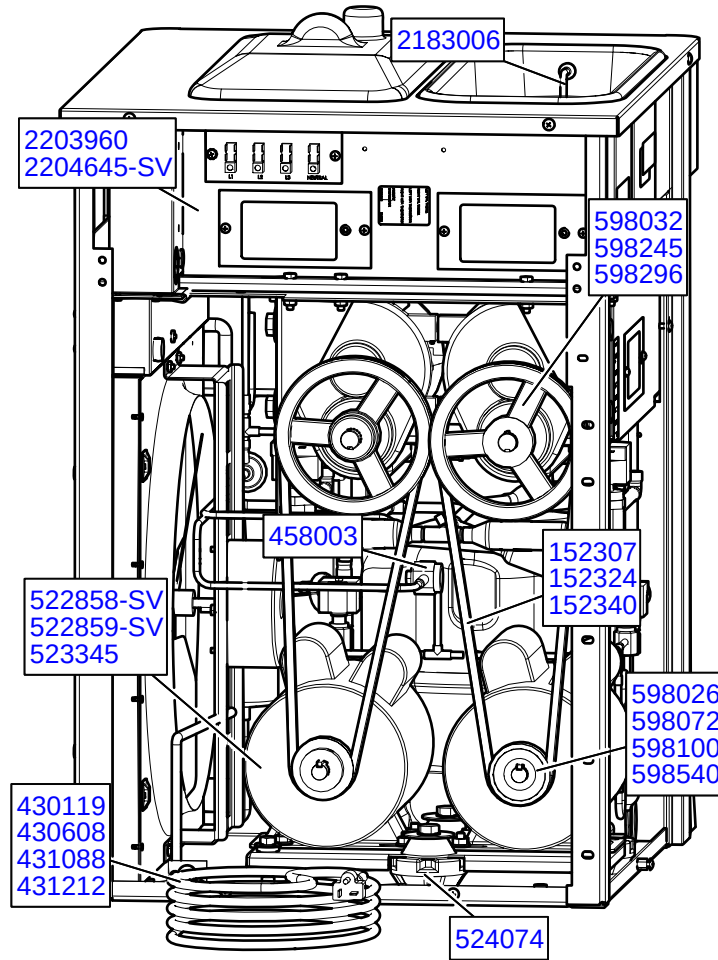


Part	Description	Quantity	
		E131	F131
428045	Knob - Spigot Handle (Black)	3	3
428081	Handle Assembly - L.H. (27°)	1	1
428082	Handle Assembly - R.H. (27°)	1	1
428083	Handle Assembly - Center (27°)	1	1
482004	Knob (Spigot Adjustment)	3	3
570961	Pin - Cotterless Clevis (Spigot Handle)	3	3
694247	Spring - Spigot Adjustment	3	3
696044	Spring - Torsion (All Spigot Handles)	3	3
718773	Switch - Spigot (Micro)	4	4
2158082	Glide - Spigot Socket	3	3
2187805	Handle - Spigot (Metal Only)	3	3

3.5 STAINLESS STEEL PANELS

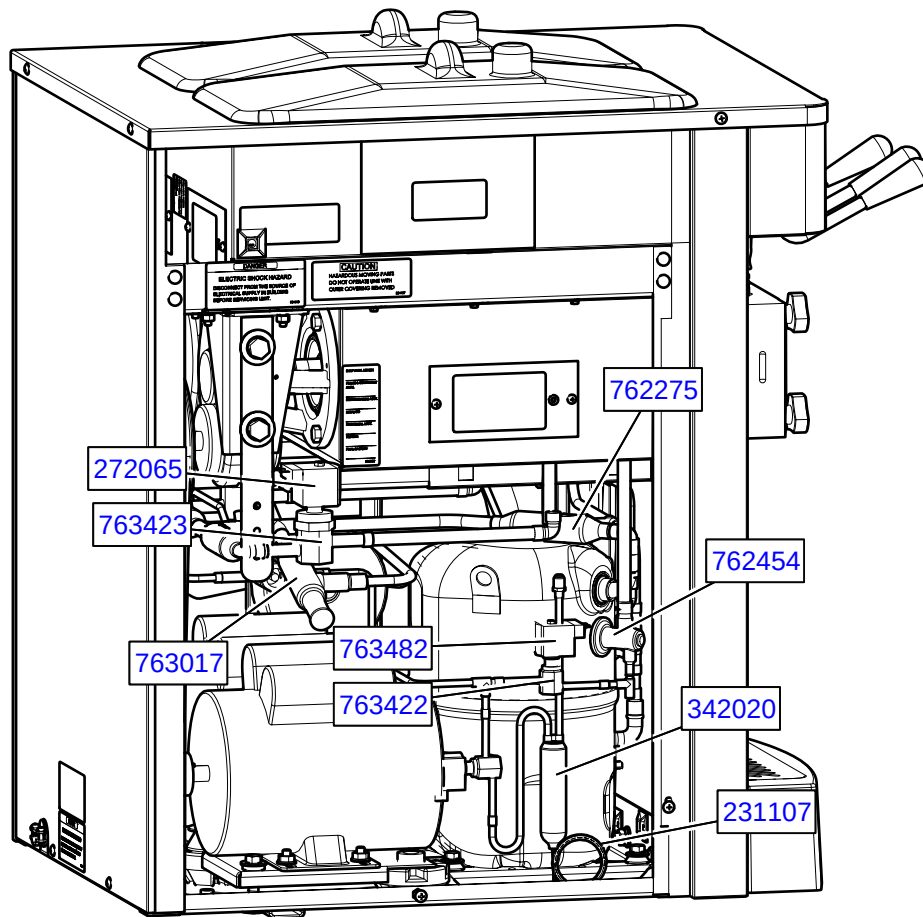
Part	Description	Quantity	
		E131	F131
232452	Plug - USB (R.H. Side Panel)	1	1
584200-07	Hole Plug (R.H. Side Panel)	1	1
644734	Screw - Panel (Sides)	-	-
647653	Screw - Panel (Header, Rear & Front Lower)	-	-
2202528	Panel - Front (YG2 Only)	1	
2203480	Plenum Block Off - Rear		1
2203481	Air Plenum		1
2203482-SV	Panel - L.H. Side w/Insulation		1
2203953	Panel - Header	1	1
2203962-SV	Panel - Side w/Insulation (R.H.)	1	1
2203964-SV	Panel - Rear w/Insulation (Water-Cooled)	1	1
2204464	Plenum Block Off		1
2205064	Plenum (Rear) - Orange Leaf		1
3157964-SV	Panel - Side w/Insulation (L.H.)	1	1
3183224-SV	Panel - Rear w/Insulation (Air-Cooled)	1	1
4183212-SV	Panel - Front Lower w/Insulation	1	1

3.6 REAR



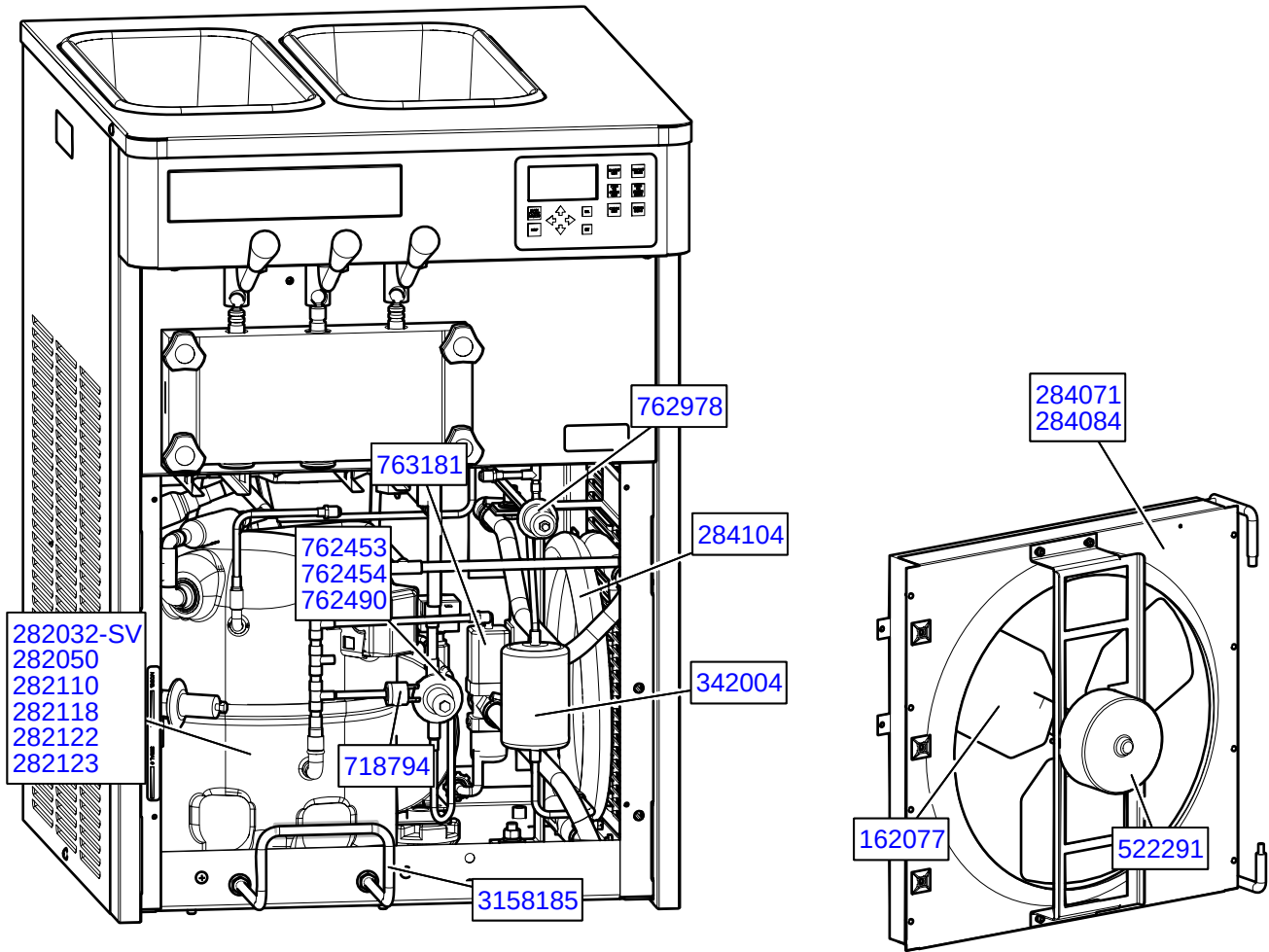
Part	Description	Quantity	
		E131	F131
152307	Belt - Gripnotch (AX38) (Each) (60 Hz)		2
152324	Belt - V (AX40 or 4L420) (Each) (E131 - 60 Hz / 50 Hz) (F131 - 50 Hz)	2	2
152340	Belt - Gripnotch (AX41) (Each) (YG2 & E131-31412)	2	
368140	Filter - Air (Condenser)	1	1
430119	Cord - Power (1 PH, 60 Hz)	1	1
430608	Cord - Power (1 PH, 50 Hz)	1	
431088	Cord - Power (3 PH, 60 Hz)	1	1
431212	Cord - Power (3 PH, 50 Hz)	1	
458003	Sight Glass	1	1
522858-SV	Motor - Drive (60 Hz)	2	2
522859-SV	Motor - Drive (220V / 240V, 50 Hz)	2	2
523345	Motor - Drive (3 PH) (60 Hz)	2	
524074	Bushing - Motor Mount	4	4
598026	Pulley - Drive Motor (E131 - 50 Hz China) (F131 - 3 PH, 50 Hz)	2	2
598032	Pulley - Speed Reducer (E131 - 50 Hz China) (F131 - 3 PH, 50 Hz)	2	2
598072	Pulley - Drive Motor (60 Hz)	2	
598100	Pulley - Drive Motor (E131 - 50 Hz, Except China) (F131 - 1 PH, 50 Hz)	2	2
598245	Pulley - Speed Reducer (E131 - 50 Hz, Except China / All 60 Hz) (F131 - 1 PH, 50 Hz / All 60 Hz)	2	2
598296	Pulley - Speed Reducer (YG2 Only)	2	
598540	Pulley - Drive Motor (E131 - YG2 Only) (F131 - 60 Hz)	2	2
614237	Speed Reducer	2	2
2183006	Probe Assembly - Hopper Liquid Level	2	2
2203960	Evaporator Assembly - Air Cooled		1
2204645-SV	Evaporator	1	

3.7 LEFT SIDE



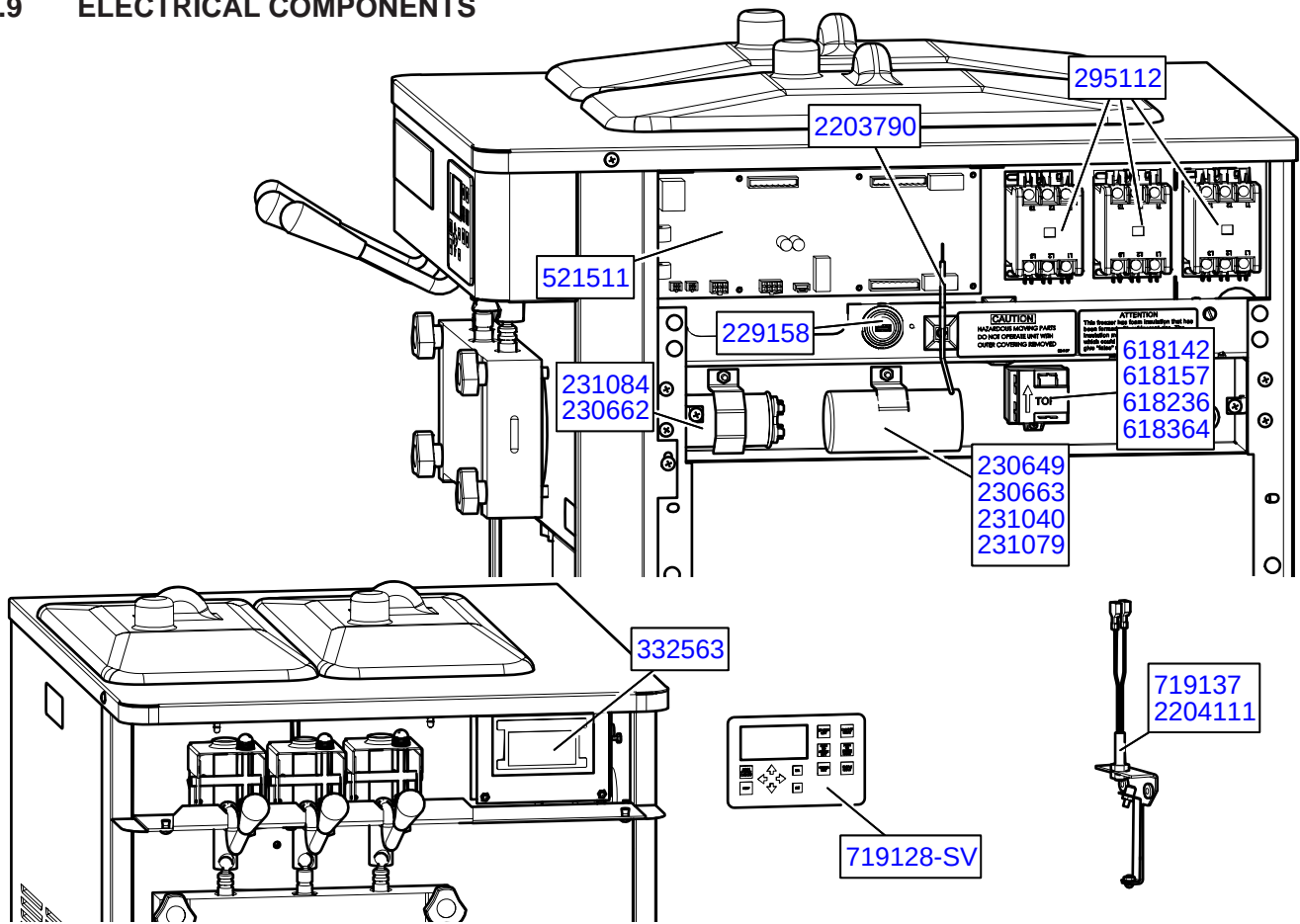
Part	Description	Quantity	
		E131	F131
231107	Cap Tube	1	1
272065	Valve Coil - Solenoid (#763423 Valve)	2	2
342020	Drier (Hopper)	1	1
762275	Valve - Magna Check	3	3
763017	Valve - Hot Gas Bypass	1	1
763422	Valve - Solenoid (1/4") (Liquid Line)	3	3
763423	Valve - Solenoid (1/2") (Suction Side)	2	2
763482	Valve Coil - Solenoid (#763422)	3	3

3.8 FRONT



Part	Description	Quantity	
		E131	F131
162077	Blade - Fan (Air-Cooled Condenser)	1	1
266076	Clip - Drip Tray		2
282032-SV	Compressor - Copeland 1 PH - 60 Hz - R404A (No Capacitors)		1
282050	Compressor - 1 PH (50 Hz) (No Capacitors)		1
282110	Compressor - 50 Hz, 1 PH (No Capacitors)	1	
282118	Compressor - 3 PH - 50 Hz	1	
282122	Compressor - 1 PH - 60 Hz (No Capacitors)	1	
282123	Compressor - 3 PH - 60 Hz	1	
284071	Condenser (Air-Cooled)	1	
284084	Condenser (Air-Cooled) (R404A)		1
284104	Condenser (Water-Cooled)	1	1
342004	Drier (Main)	1	1
522291	Motor - Fan (50/60 Hz)	1	1
718794	Switch - High Pressure Reset	1	1
762453	Valve - Expansion (Air-Cooled)	2	
762454	Valve - Expansion		2
762490	Valve - Expansion (AXV) (Water-Cooled)	2	2
762978	Valve - EPR	1	1
763181	Valve - Water	1	1
764385	Valve Kit - Water Valve Repair	1	1
3158185	Support - Drip Tray (Metal)	1	1

3.9 ELECTRICAL COMPONENTS



Part	Description	Quantity	
		E131	F131
229148	Cable - IntelliTec2 (Control Board to Display Board)	1	1
229158	USB Cable Extension	1	1
230649	Capacitor - Start (#282050 Compressor)		1
230662	Capacitor - Run (#282110 & #282122 Compressors)	1	
230663	Capacitor - Start (#282110 Compressor)	1	
231040	Capacitor - Start (#282122 Compressor)	1	
231068	Capacitor - Run (#522858 Motor) (Leeson #3014.02) (1 3/4" Wide)	2	2
231078	Capacitor - Run (#522858 Motor) (Leeson #3014.37) (2" Wide)	2	2
231079	Capacitor - Start (#282032 Compressor)		1
231084	Capacitor - Run (#282032 or #282050 Compressors)		1
231095	Capacitor - Start (#522858 Motor)	2	2
231097	Capacitor - Start (#522859 Motor)	2	2
231098	Capacitor - Run (#522859 Motor)	2	2
295112	Contact - Compressor / Drive (60 Hz / 50 Hz)	3	3
332563	Board - Display Module (Display Only)	1	1
521435	WiFi Module	1	1
521511	Board - Program - IntelliTec2	1	1
618142	Relay (#282050 Compressor)		1
618157	Relay - Start (#282032 Compressor)		1
618236	Relay (#282122 Compressor)	1	
618364	Relay (#282110 Compressor)	1	
672798	Thermistor Sensor (Barrel) (Yellow)	1	
719128-SV	Switch - Membrane Strip (Touchpad & Ribbon)	1	1
719137	Switch Only - Magnetic (Door Interlock)	1	1
2203790	Sensor Probe Kit		3
2204111	Switch Assembly - Door Interlock	1	1



**DOMESTIC WARRANTY
(Including Mexico)
SOFT SERVE / SHAKE EQUIPMENT**

1. **Scope:**

PW Stoelting, L.L.C. ("Stoelting") warrants to the first user (the "Buyer") that the freezing cylinders, hoppers, compressors, drive motors, speed reducers, and augers of Stoelting soft serve / shake equipment will be free from defects in materials and workmanship under normal use and proper maintenance appearing within five (5) years, and that all other components of such equipment manufactured by Stoelting will be free from defects in material and workmanship under normal use and proper maintenance appearing within twelve (12) months after the date that such equipment is originally installed.

2. **Disclaimer of Other Warranties:**

THIS WARRANTY IS EXCLUSIVE; AND STOELTING HEREBY DISCLAIMS ANY IMPLIED WARRANTY OF MERCHANTABILITY OR FITNESS FOR PARTICULAR PURPOSE.

3. **Remedies:**

Stoelting's sole obligations, and Buyer's sole remedies, for any breach of this warranty shall be the repair or (at Stoelting's option) replacement of the affected component at Stoelting's plant in Kiel, Wisconsin, or (again, at Stoelting's option) refund of the purchase price of the affected equipment, and, during the first twelve (12) months of the warranty period, deinstallation/reinstallation of the affected component from/into the equipment. Those obligations/remedies are subject to the conditions that Buyer (a) signs and returns to Stoelting, upon installation, the Start-Up and Training Checklist for the affected equipment, (b) gives Stoelting prompt written notice of any claimed breach of warranty within the applicable warranty period, and (c) delivers the affected equipment to Stoelting or its designated service location, in its original packaging/crating, also within that period. Buyer shall bear the cost and risk of shipping to and from Stoelting's plant or designated service location.

4. **Exclusions and Limitations:**

This warranty does not extend to parts, sometimes called "wear parts", which are generally expected to deteriorate and to require replacement as equipment is used, including as examples but not intended to be limited to o-rings, auger flights, auger seals, auger support bushings, and drive belts. All such parts are sold

AS IS.

Further, Stoelting shall not be responsible to provide any remedy under this warranty with respect to any component that fails by reason of negligence, abnormal use, misuse or abuse, use with parts or equipment not manufactured or supplied by Stoelting, or damage in transit.

THE REMEDIES SET FORTH IN THIS WARRANTY SHALL BE THE SOLE LIABILITY STOELTING AND THE EXCLUSIVE REMEDY OF BUYER WITH RESPECT TO EQUIPMENT SUPPLIED BY STOELTING; AND IN NO EVENT SHALL STOELTING BE LIABLE FOR ANY INCIDENTAL OR CONSEQUENTIAL DAMAGES, WHETHER FOR BREACH OF WARRANTY OR OTHER CONTRACT BREACH, NEGLIGENCE OR OTHER TORT, OR ON ANY STRICT LIABILITY THEORY.