



Model E157A / E257A
SERVICE MANUAL

Manual No. [513652](#)

Rev.0

This manual provides basic information about the machine. Instructions and suggestions are given covering its operation and care.

The illustrations and specifications are not binding in detail. We reserve the right to make changes to the machine without notice, and without incurring any obligation to modify or provide new parts for machines built prior to date of change.

DO NOT ATTEMPT to operate the machine until instructions and safety precautions in this manual are read completely and are thoroughly understood. If problems develop or questions arise in connection with installation, operation, or servicing of the machine, contact Stoelting.



stoeltingfoodservice.com

Stoelting Foodservice Equipment
502 Highway 67
Kiel, WI 53042-1600
U.S.A.

Main Tel: 800.558.5807
Fax: 920.894.7029

Customer Service: 888.429.5920
Fax: 800.545.0662
Email: foodservice@stoelting.com

© 2014 PW Stoelting, LLC

A Few Words About Safety

Safety Information

Read and understand the entire manual before operating or maintaining Stoelting equipment.

This manual provides the operator with information for the safe operation and maintenance of Stoelting equipment. As with any machine, there are hazards associated with their operation. For this reason safety is emphasized throughout the manual. To highlight specific safety information, the following safety definitions are provided to assist the reader.

The purpose of safety symbols is to attract your attention to possible dangers. The safety symbols, and their explanations, deserve your careful attention and understanding. The safety warnings do not by themselves eliminate any danger. The instructions or warnings they give are not substitutes for proper accident prevention measures.

If you need to replace a part, use genuine Stoelting parts with the correct part number or an equivalent part. We strongly recommend that you do not use replacement parts of inferior quality.



Safety Alert Symbol:

This symbol Indicates danger, warning or caution. Attention is required in order to avoid serious personal injury. The message that follows the symbol contains important information about safety.

Signal Word:

Signal words are distinctive words used throughout this manual that alert the reader to the existence and relative degree of a hazard.



The signal word “WARNING” indicates a potentially hazardous situation, which, if not avoided, may result in death or serious injury and equipment/property damage.



The signal word “CAUTION” indicates a potentially hazardous situation, which, if not avoided, may result in minor or moderate injury and equipment/property damage.

CAUTION

The signal word “CAUTION” not preceded by the safety alert symbol indicates a potentially hazardous situation, which, if not avoided, may result in equipment/property damage.

NOTE (or NOTICE)

The signal word “NOTICE” indicates information or procedures that relate directly or indirectly to the safety of personnel or equipment/property.

TABLE OF CONTENTS

Section	Description	Page
1	Description And Specifications	
1.1	Description.....	1
1.2	Specifications	2
1.3	Component Settings	4
2	Refrigeration Diagram and Wiring Diagrams	
2.1	Refrigeration Diagram	5
2.2	Wiring Diagram.....	6
3	Replacement Parts	
3.1	Brushes, Decals, Lubrication and Miscellaneous	9
3.2	Bottles, Dispenser and Lids.....	9
3.3	E157 Parts.....	10
3.4	E257 Parts.....	12
3.5	Spigots.....	14
3.6	Panels and Screws.....	14
3.7	Pump Parts (WFE257A).....	15

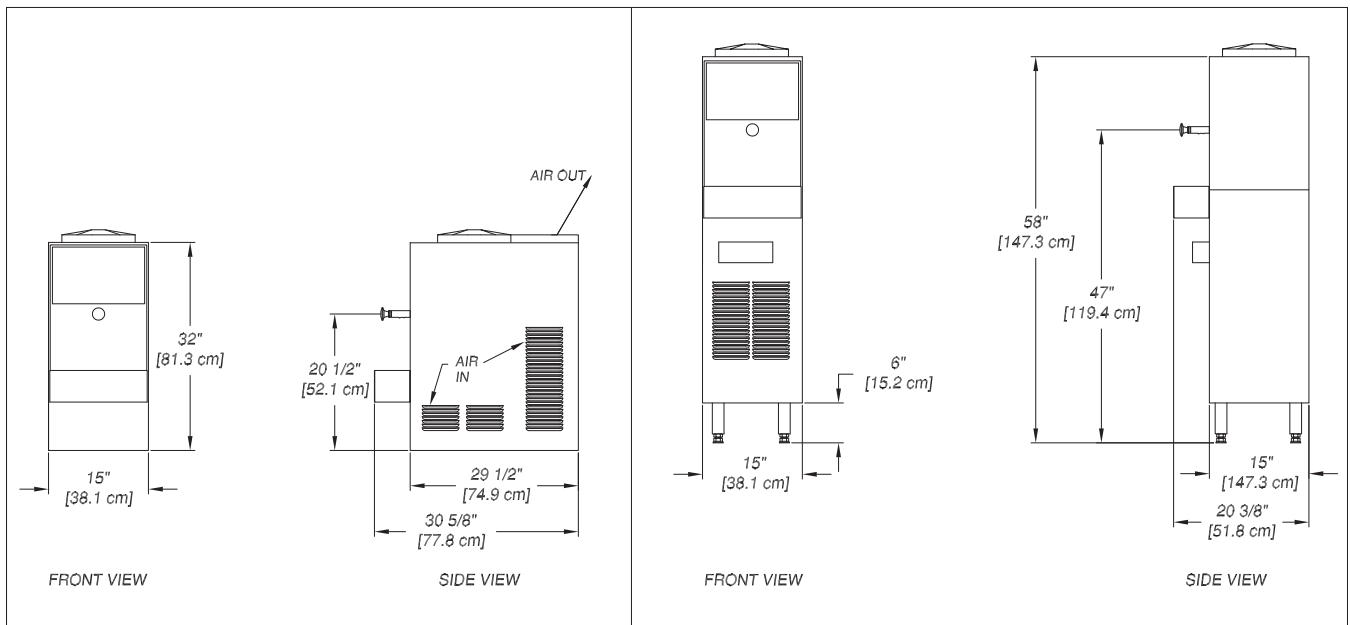
SECTION 1 DESCRIPTION AND SPECIFICATIONS

1.1 DESCRIPTION

The E157A and E257A are gravity fed slush machines. They are equipped with fully automatic controls to provide a uniform product. The machines are designed to operate with most neutral bases and concentrated flavors.



Figure 1-1 Model E257A



1.2 SPECIFICATIONS

	Model E157A (LE157A)		Model E257A (LE257A)	
Dimensions	Machine	with crate	Machine	with crate
width	15" (38,1 cm)	28" (71,1 cm)	15" (38,1 cm)	17" (43,2 cm)
height	32" (81,3 cm)	40-1/4" (102,2 cm)	58" (147,3 cm)	66" (167,6 cm)
depth	29-1/2" (74,9 cm)	35-1/2" (90,2 cm)	15" (38,1 cm)	21" (53,3 cm)
Weight	142 lbs (64,4 kg)	200 lbs (90,7 kg)	140 lbs (63,5 kg)	165 lbs (74,8 kg)
Electrical	1 Phase, 115 VAC, 60Hz			
running amps	9A			
connection type	NEMA5-15P included			
International Option	1 Phase, 220-240 VAC, 50Hz			
Compressor	2,250 Btu/hr (R-404A)			
Drive Motor	1/12 hp			
Cooling	Air cooled units require 6" (15,2 cm) air space an sides and back			
Hopper Volume	10 gallon (37,85 liters)			

	E157A	E257A
Refrigerant	R-404A	R-404A
Charge	20 oz	20 oz
Suction Pressure (AXV)	47-49 psig	47-49 psig
Discharge Pressure	215 psig	215 psig

	E157A	E257A
Torque Control Spring Length	3-1/8"	3-1/8"
Torque Control Timer Delay	71-81 sec	71-81 sec
Brix	11-13%	11-13%

1.3 COMPONENT SETTINGS

Following are the settings for the components in the E157A and E257A machines.

A. COMPRESSOR WINDINGS

When testing the compressor windings the resistance through the windings should be as follows:

Compressor	Electrical	S to C	R to C
282104	1 PH	31.70Ω	5.18Ω

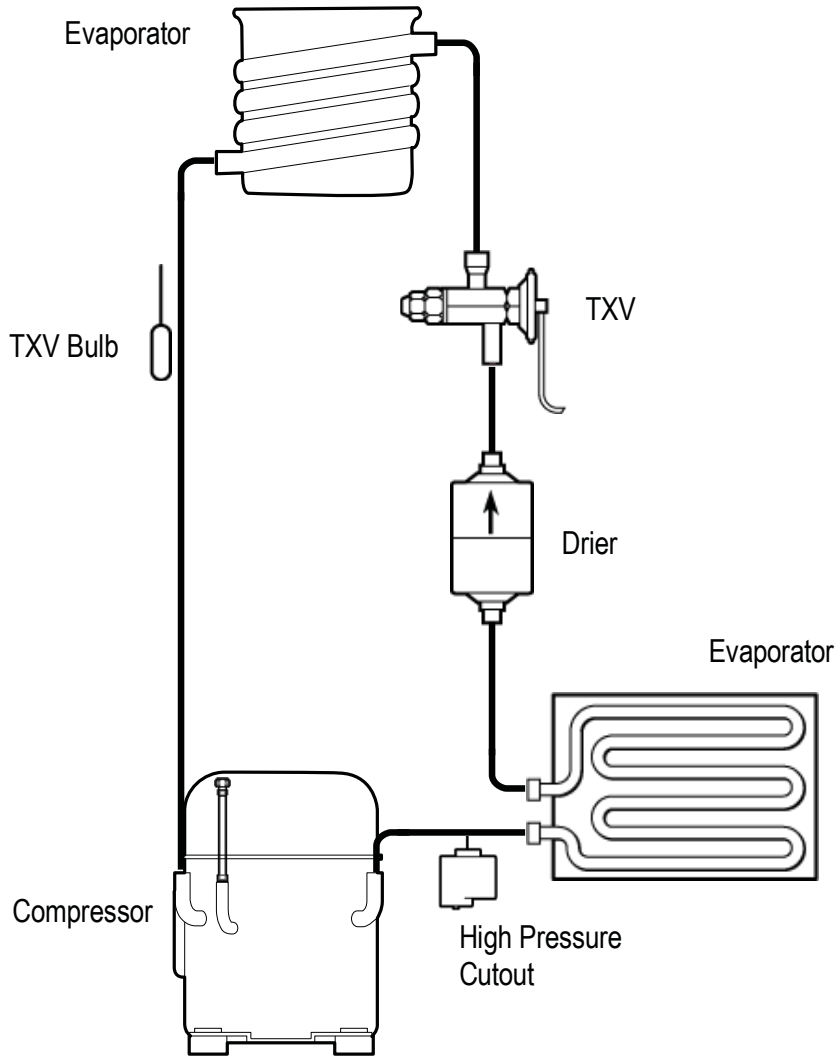
B. CAPACITORS

Refer to the following table for the capacitance of all the capacitors in the machine:

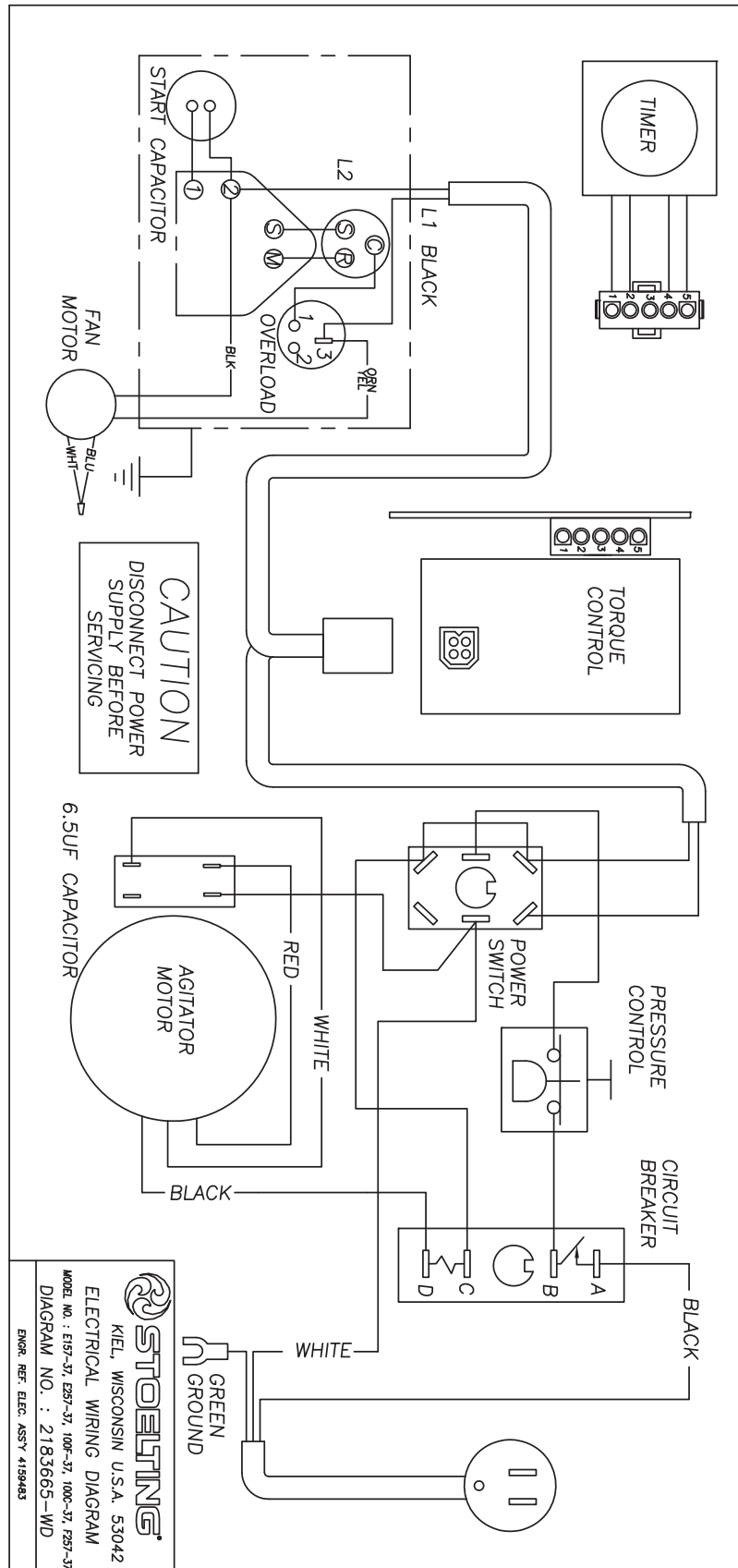
Capacitor	Part	Rating	
		MFD	VAC
Compressor - Start	230624	270-324 MFD	165 VAC
Compressor - Start	230659	53-65 MFD	330 VAC
Motor	230650	4.5 MFD	250 VAC
Motor - Run	231062	4 MFD	370 VAC

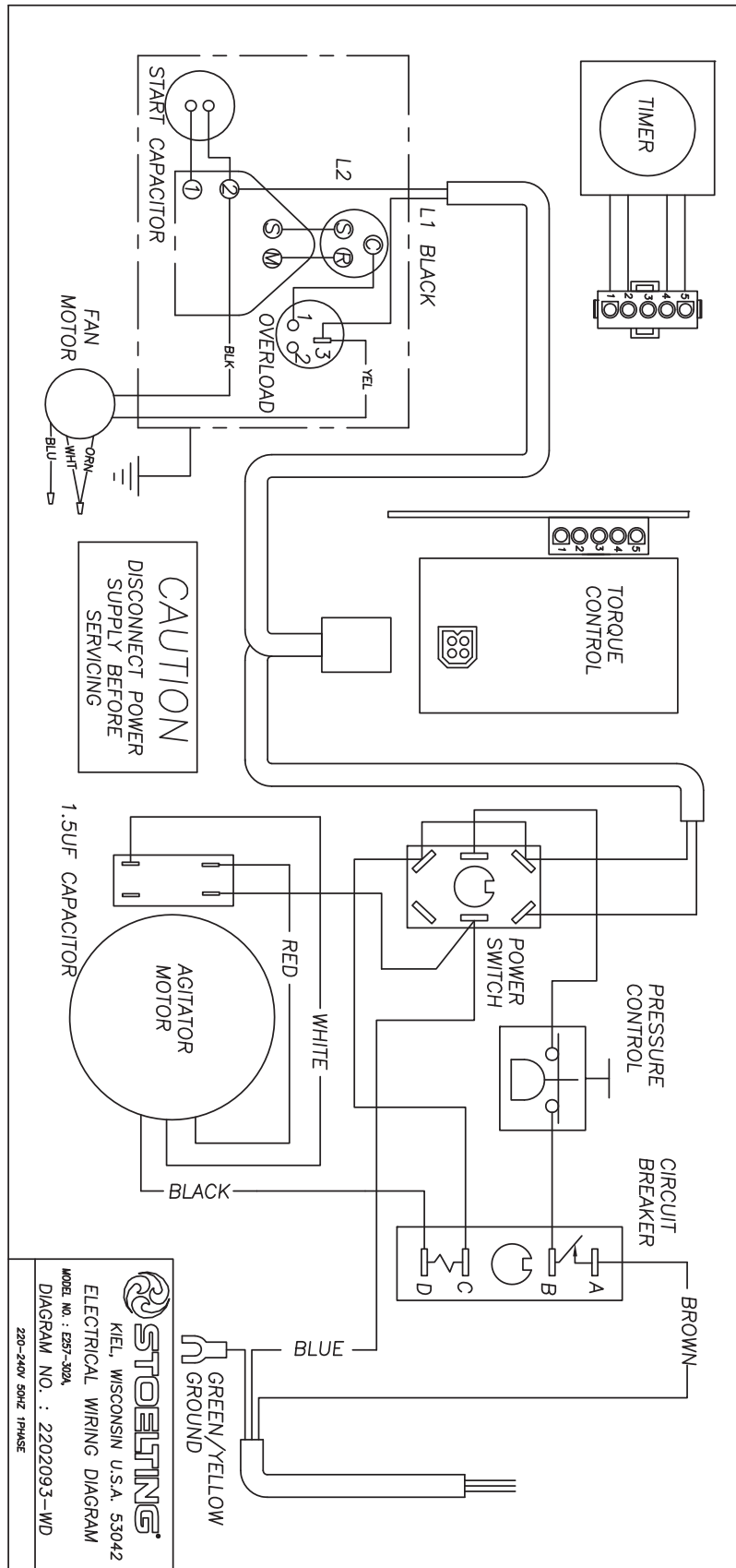
SECTION 2 REFRIGERATION DIAGRAM AND WIRING DIAGRAMS

2.1 REFRIGERATION DIAGRAM



2.2 WIRING DIAGRAM





SECTION 3 REPLACEMENT PARTS

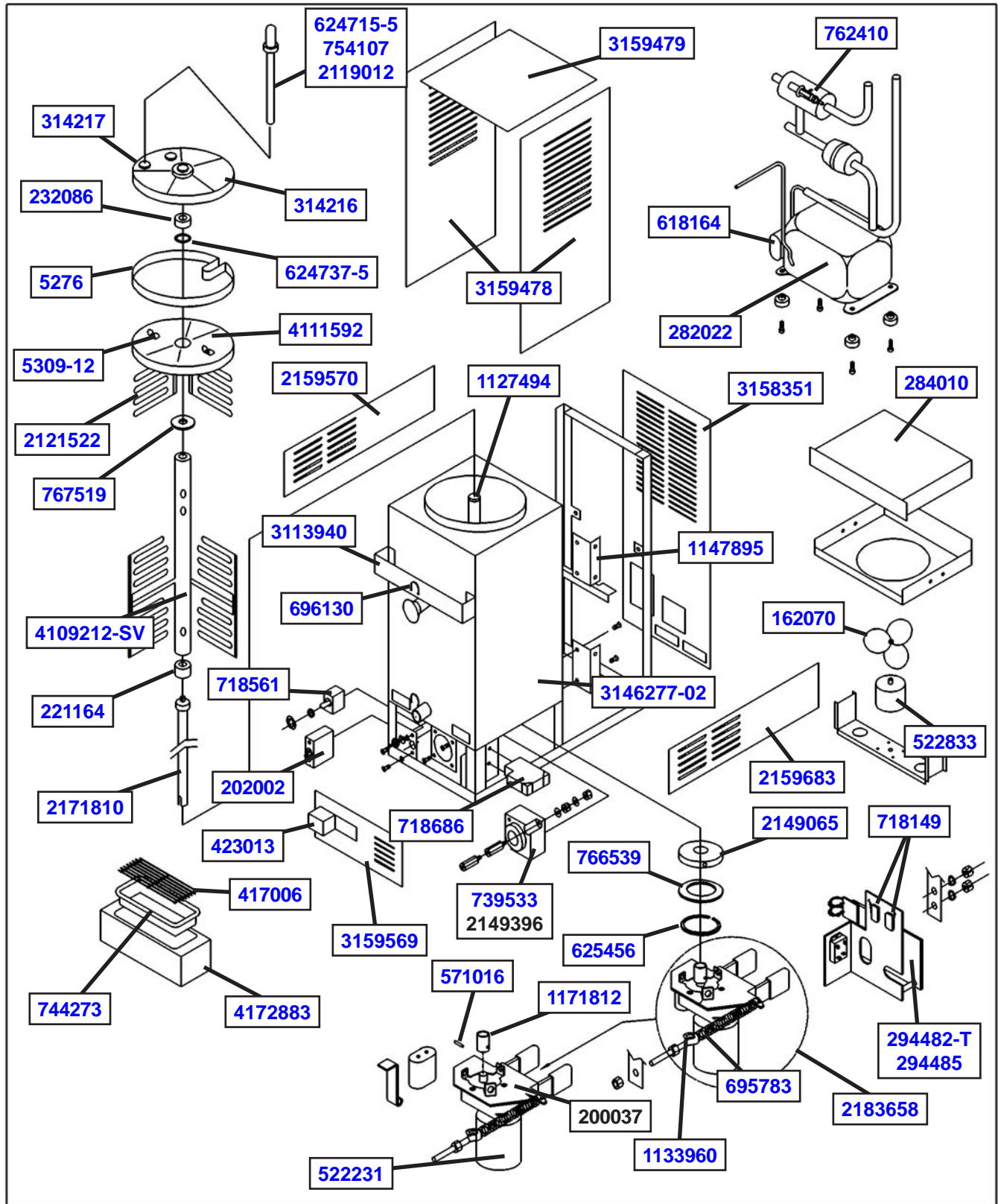
3.1 BRUSHES, DECALS, LUBRICATION AND MISCELLANEOUS

Part	Description	Quantity
208049	Brush - 1-1/2" X 4" X 30"	1
236014	Card - Cleaning Instruction	1
324088	Decal - Pressure Reference Chart	
324105	Decal - Caution Electrical Shock	
324107	Decal - Caution Hazardous Moving Parts	
324113	Decal - Caution Grounded Plug	
324135	Decal - Toggle & Reset Switch	
324200	Decal - High Pressure Cut-Out	
324393	Decal - Stoelting Swirl Logo (Floor)	
324566	Decal - Wired According To (Floor)	
324584	Decal - Adequate Ventilation 3" (E257)	
324649	Decal - Adequate Ventilation (E157)	
324804	Decal - Domed Stoelting Swirl (Header Panel)	
431003	Wire Harness w/15A Plug	
508135	Petrol Gel - 4 oz Tube	1
513651	Manual - Owner's	1
679066	Gasket - Freezer Base (Counter Model)	

3.2 BOTTLES, DISPENSER AND LIDS

Part	Description	Quantity
194019	Bottle - Flavor (Glass)	
194024	Bottle - Flavor (Plastic)	
332003	Dispenser - Cup (ADJ20) (6-14 oz Cups)	
332003-01	Lid (ADJ20 Cup Dispenser)	
332003-02	Dispenser Mount (Freezer)	
332003-03	Dispenser Mount (Dispenser)	
332003-04	Dispenser Wing Nut & Stud Kit	
332004	Dispenser - Cup (ADJ30) (12-24 oz Cups)	
332004-01	Lid (ADJ30 Cup Dispenser)	
332006	Dispenser - Lid	
600058	Pump - Flavor (Glass Bottle)	
600082	Pump - Flavor (Plastic Bottle)	
2123128	Bracket (Third Dispenser)	

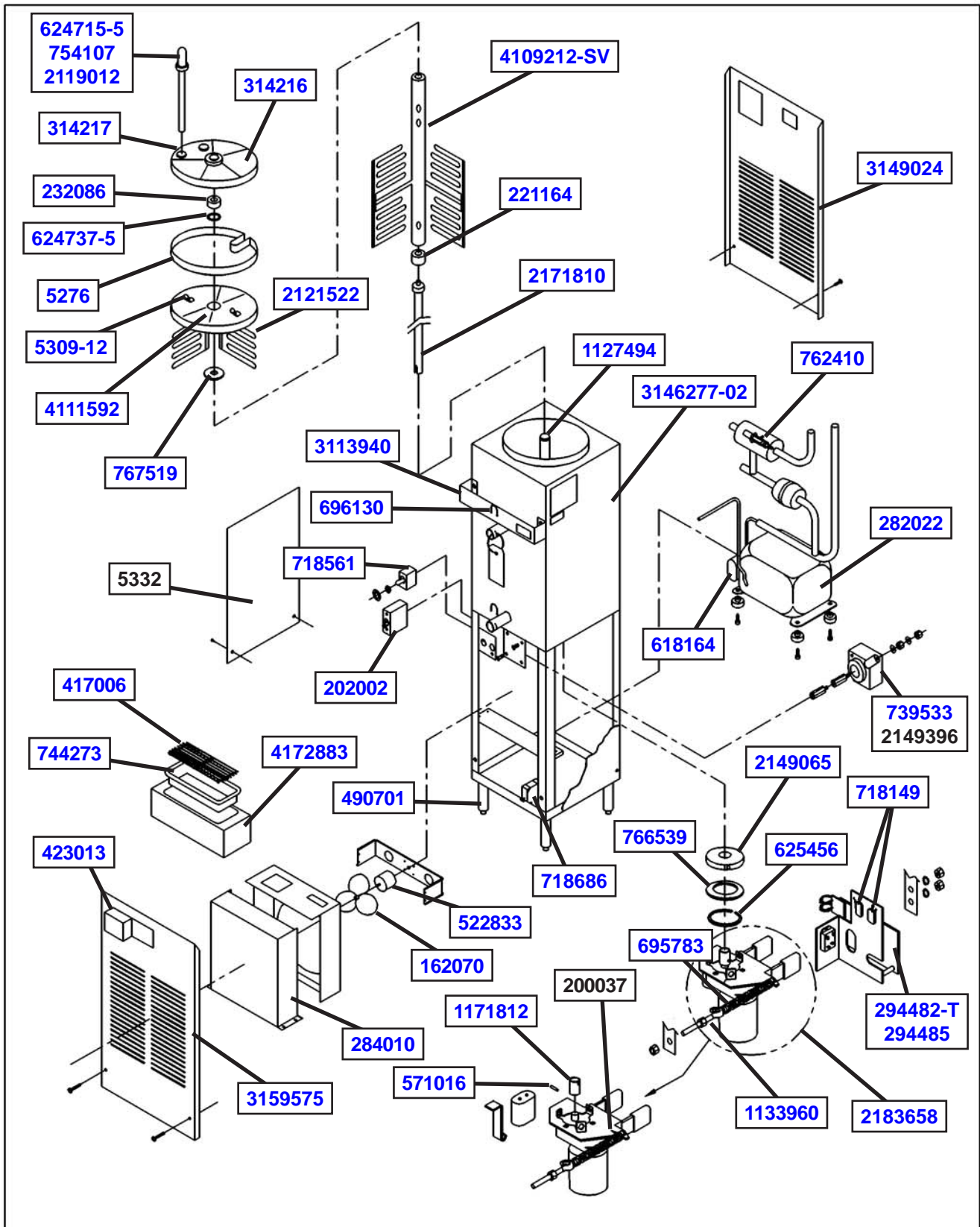
3.3 E157 PARTS



3.3 E157 PARTS (CONTINUED)

Part Number	Description	Quantity
5276	Sealer Ring (Stainless Steel)	
5309-12	Wing Nut	
162070	Blade - Fan (Air-Cooled Condenser)	
200037	Bracket - Motor Mounting	
202002	Switch - Reset (Circuit Breaker)	
221164	Bushing - Agitator Bottom Center Post	
230624	Capacitor - Start (#282022 Compressor)	
230659	Capacitor - Start (#282104 Compressor)	
232086	Cap - Drive	
282022	Compressor - Tecumseh - R404A (60 Hz) (w/Capacitors)	
284010	Condenser (Air-Cooled)	
294482-T	Control - Electronic Torque (60 Hz)	
314216	Cover - Plastic	
314217	Cover - Sliding	
417006	Grid - Drip Tray (Vinyl Coated Metal)	
423013	Cover - Toggle Switch (Snap-on)	
522231	Motor - Gear Reduction (Oriental)	
522833	Motor - Fan (Air-Cooled Condenser) (50/60 Hz)	
571016	Pin - Roll 1/8" X 3/4" (Small - Bottom)	
618164	Relay (#282012 Compressor)	
624715-5	O-Ring - Liquid Level Indicator (5 Pack)	
624737-5	O-Ring - Agitator - Black (5 Pack)	
625456	Retaining Ring - Tru Arc	
695783	Spring - Electronic Torque Tension (Red)	
696130	Clip - Lock - Horseshoe Clip	
718149	Switch - Micro (Electronic Torque Control)	
718561	Switch - Toggle	
739533	Timer (24 Hour)	
744273	Tray - Drip (For Stainless Tray Assembly)	
754107	Tube - Red Float (#2119012)	
762410	Valve - Expansion (R404A)	
766539	Washer - Motor Assembly (See #2149065 Bearing)	
767519	Disc - Anti-Lift	
1127494	Bushing (Top of Center Post)	
1133960	Spring & Eyebolt Assembly (Silver)	
1170735	Bracket - Capacitor #231062	
1171812	Extension - Drive Motor Coupling	
2119012	Indicator - Liquid Level Assembly	
2121522	Stationary Finger (Baffle Assembly)	
2149065	Bearing - Motor Support (Requires #766539 Washer)	
2149396	Kit - Timer control (24 Hour)	
2159570	Panel - L.H. Lower (Counter Model)	
2159683	Panel - R.H. Lower (Counter Model)	
2171810	Drive Shaft	
2183658	Motor Assembly - Drive (Oriental) (60 Hz)	
2202117	Motor Assembly - Drive (Oriental) (50 Hz)	
3113940	Rack Only - Flavor Bottle (Requires #649000-23 Screws)	
3146277-02	Evaporator Assembly (E257)	
3158351	Panel - Rear (Counter Model)	
3159478	Panel - Side (Counter Model)	
3159479	Panel - Top Enclosure (Counter Model)	
3159569	Panel - Front Lower (Counter Model)	
4109212-SV	Agitator - Three Blade	
4111592	Plate - Divider	
4172883	Support - Drip Tray	
718686	Switch - Pressure (High Pressure Cutout)	

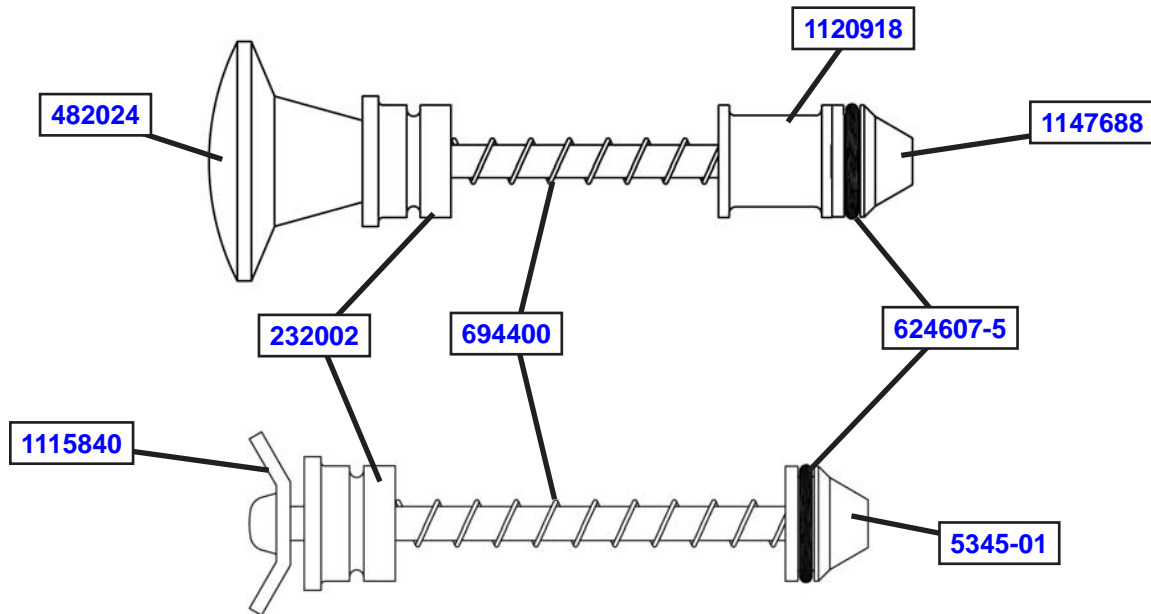
3.4 E257 PARTS



3.4 E257 PARTS (CONTINUED)

Part Number	Description	Quantity
5276	Sealer Ring (Stainless Steel)	
5309-12	Wing Nut	
5332	Panel - Lower Side (Floor Model)	
162070	Blade - Fan (Air-Cooled Condenser)	
200037	Bracket - Motor Mounting	
202002	Switch - Reset (Circuit Breaker)	
221164	Bushing - Agitator Bottom Center Post	
230624	Capacitor - Start (#282022 Compressor)	
230659	Capacitor - Start (#282104 Compressor)	
232086	Cap - Drive	
282022	Compressor - Tecumseh - R404A (60 Hz) (w/Capacitors)	
282104	Compressor - 50 Hz	
284010	Condenser (Air-Cooled)	
294482-T	Control - Electronic Torque (60 Hz)	
294485	Control - Electric Torque (50 Hz)	
314216	Cover - Plastic	
314217	Cover - Sliding	
417006	Grid - Drip Tray (Vinyl Coated Metal)	
423013	Cover - Toggle Switch (Snap-on)	
490701	Leg (Diecast Aluminum) (Floor Model)	
522833	Motor - Fan (Air-Cooled Condenser) (50/60 Hz)	
571016	Pin - Roll 1/8" X 3/4" (Small - Bottom)	
618164	Relay (#282012 Compressor)	
624715-5	O-Ring - Liquid Level Indicator (5 Pack)	
624737-5	O-Ring - Agitator - Black (5 Pack)	
625456	Retaining Ring - Tru Arc	
695783	Spring - Electronic Torque Tension (Red)	
696130	Clip - Lock - Horseshoe Clip	
718149	Switch - Micro (Electronic Torque Control)	
718561	Switch - Toggle	
739533	Timer (24 Hour)	
744273	Tray - Drip (For Stainless Tray Assembly)	
754107	Tube - Red Float (#2119012)	
762410	Valve - Expansion (R404A)	
766539	Washer - Motor Assembly (See #2149065 Bearing)	
767519	Disc - Anti-Lift	
1127494	Bushing (Top of Center Post)	
1133960	Spring & Eyebolt Assembly (Silver)	
1170735	Bracket - Capacitor #231062	
1171812	Extension - Drive Motor Coupling	
2119012	Indicator - Liquid Level Assembly	
2121522	Stationary Finger (Baffle Assembly)	
2149065	Bearing - Motor Support (Requires #766539 Washer)	
2149396	Kit - Timer control (24 Hour)	
2171810	Drive Shaft	
2183658	Motor Assembly - Drive (Oriental) (60 Hz)	
2202117	Motor Assembly - Drive (Oriental) (50 Hz)	
3113940	Rack Only - Flavor Bottle (Requires #649000-23 Screws)	
3146277-02	Evaporator Assembly (E257)	
3149024	Panel - Rear Lower (Floor Model)	
3159575	Panel - Front Lower (Floor Model - 60 Hz)	
4109212-SV	Agitator - Three Blade	
4111592	Plate - Divider	
4172883	Support - Drip Tray	
718686	Switch - Pressure (High Pressure Cutout)	

3.5 SPIGOTS

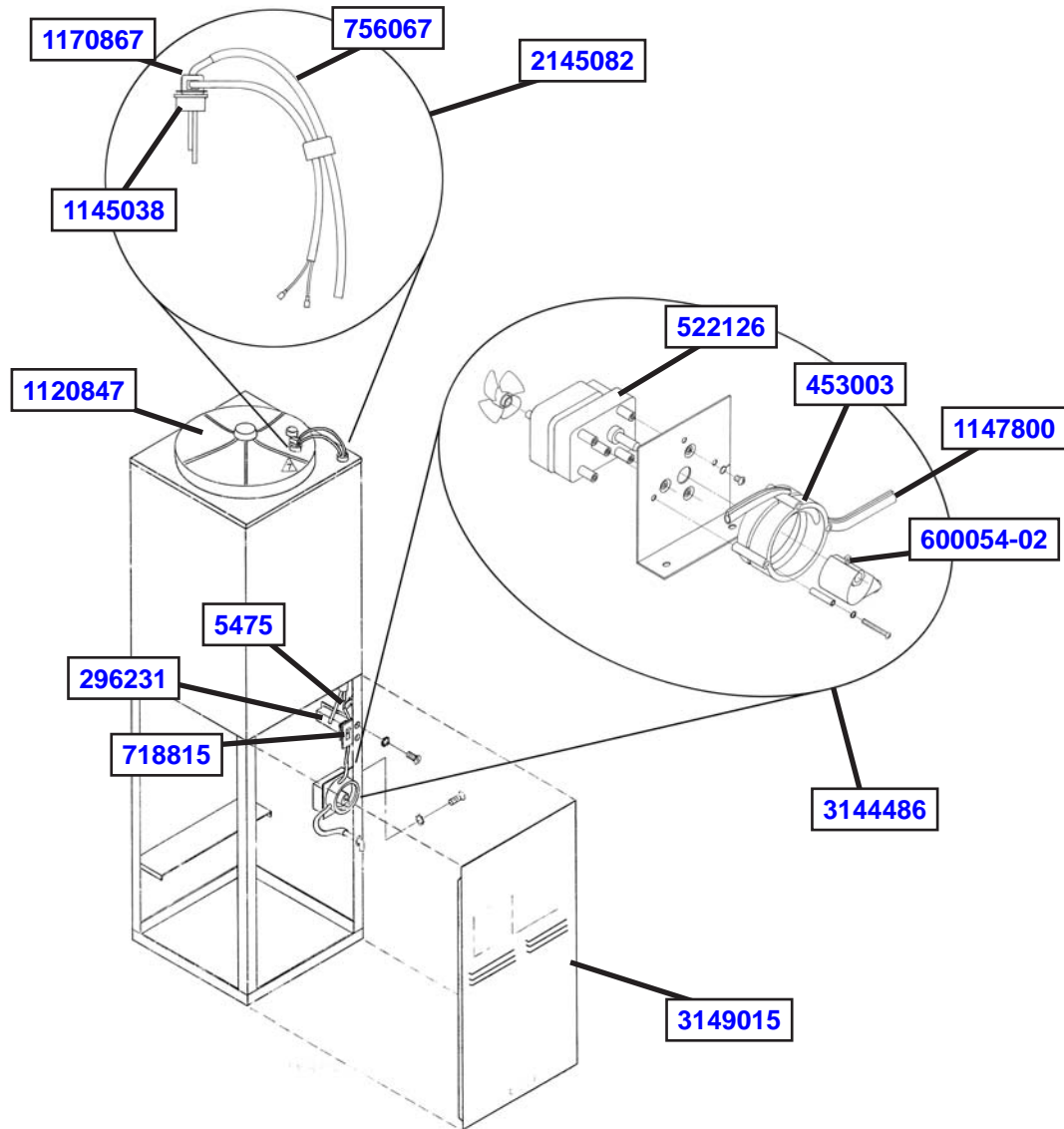


Part Number	Description	Quantity
5345-01	Shaft & Plug Assembly (Lower Spigot)	1
232002	Cap - Retaining (Top & Lower Spigot)	2
482024	Knob (Upper Spigot)	1
624607-5	O-Ring - Top & Bottom Spigot - Black (5 Pack)	2
694400	Spring - Spigot Body (Top & Bottom Spigot)	2
1115840	Handle - (Lower Spigot) (Thumb Nut)	1
1120918	Splash Deflector	1
1123323	Spigot - Lower Assembly	1
1147688	Shaft & Plug Assembly (Upper Spigot)	1
2147689	Spigot - Upper Assembly	1

3.6 PANELS AND SCREWS

Part Number	Description	Quantity
5332	Panel - Lower Side (Floor Model)	
422074	Grommet - Rubber (High Pressure Cutout)	
644094	Screw - Cap (Drive Motor Mounting)	
647653	Screw - Panel (Upper Counter Model Panel)	
647899	Screw - Panel	
649000-23	Screw - Flavor Rack	
2159570	Panel - L.H. Lower (Counter Model)	
2159683	Panel - R.H. Lower (Counter Model)	
3149015	Panel - Rear (WFE257)	
3149024	Panel - Rear Lower (Floor Model)	
3158351	Panel - Rear (Counter Model)	
3159478	Panel - Side (Counter Model)	
3159479	Panel - Top Enclosure (Counter Model)	
3159569	Panel - Front Lower (Counter Model)	
3159575	Panel - Front Lower (Floor Model - 60 Hz)	

3.7 PUMP PARTS (WFE257A)



Part	Description	Quantity
5475	Tube - Connector (Fill-O-Matic) (WFE257)	
296231	Control - Liquid Level (WFE257)	
453003	Housing - Pump (2 Required) (WFE257)	
522126	Gearmotor (WFE257)	
600054-02	Roller (Fill-O-Matic Pump) (WFE257)	
718815	Switch - Rocker (WFE257)	
756067	Tubing - 1/4" ID (Per Inch) (WFE257)	
1120847	Cover - Plastic w/Hole (WFE257)	
1145038	Plug w/Metal Probe Assembly (Cover) (WFE257)	
1147800	Tube - Pump (Fill-O-Matic) (WFE257)	
1170867	Plug & Locater Assembly (Plugs Into #1145038) (WFE257)	
2145082	Plug & Tubing Assembly (Complete) (WFE257)	
3144486	Pump & Motor Assembly (WFE257)	
3149015	Panel - Rear (WFE257)	



**WARRANTY
FROZEN UNCARBONATED BEVERAGE EQUIPMENT**

1. **Scope:**

PW Stoelting, L.L.C. (“Stoelting”) warrants to the first user (the “Buyer”) that the evaporator assembly, compressors, drive motors, and speed reducers of Stoelting frozen uncarbonated beverage equipment will be free from defects in materials and workmanship under normal use and proper maintenance appearing within five (5) years, and that all other components of such equipment manufactured by Stoelting will be free from defects in material and workmanship under normal use and proper maintenance appearing within twelve (12) months after the date that such equipment is originally installed.

2. **Disclaimer of Other Warranties:**

THIS WARRANTY IS EXCLUSIVE; AND STOELTING, HEREBY DISCLAIMS ANY IMPLIED WARRANTY OF MERCHANTABILITY OR FITNESS FOR PARTICULAR PURPOSE.

3. **Remedies:**

Stoelting’s sole obligations, and Buyer’s sole remedies, for any breach of this warranty shall be the repair or (at Stoelting’s option) replacement of the affected component at Stoelting’s plant in Kiel, Wisconsin, or (again, at Stoelting’s option) refund of the purchase price of the affected equipment, and, during the first twelve (12) months of the warranty period, deinstallation/reinstallation of the affected component from/into the equipment. Those obligations/remedies are subject to the conditions that Buyer (a) signs and returns to Stoelting, upon installation, the Start-Up and Training Checklist for the affected equipment, (b) gives Stoelting prompt written notice of any claimed breach of warranty within the applicable warranty period, and (c) delivers the affected equipment to Stoelting or its designated service location, in its original packaging/crating, also within that period. Buyer shall bear the cost and risk of shipping to and from Stoelting’s plant or designated service location.

4. **Exclusions and Limitations:**

This warranty does not extend to parts, sometimes called “wear parts”, which are generally expected to deteriorate and to require replacement as equipment is used, including as examples but not intended to be limited to o-rings, hoses, seals, and drive belts. All such parts are sold

AS IS.

Further, Stoelting shall not be responsible to provide any remedy under this warranty with respect to any component that fails by reason of negligence, abnormal use, misuse or abuse, use with parts or equipment not manufactured or supplied by Stoelting, or damage in transit.

THE REMEDIES SET FORTH IN THIS WARRANTY SHALL BE THE SOLE LIABILITY STOELTING AND THE EXCLUSIVE REMEDY OF BUYER WITH RESPECT TO EQUIPMENT SUPPLIED BY STOELTING; AND IN NO EVENT SHALL STOELTING BE LIABLE FOR ANY INCIDENTAL OR CONSEQUENTIAL DAMAGES, WHETHER FOR BREACH OF WARRANTY OR OTHER CONTRACT BREACH, NEGLIGENCE OR OTHER TORT, OR ON ANY STRICT LIABILITY THEORY.