



**513855**

**SCBA-SCBF**

***Granita Owner's Manual***

## 1 SAFETY PRECAUTIONS

- 1** Before connecting the dispenser to the power source, check that the voltage shown on the rating plate matches your electricity supply. Connect the dispenser to a single-phase supply through a grounded outlet as required by current regulations.
- 2** Do not use extension cords to connect the dispenser.
- 3** To avoid any risks, if the power cable is damaged, it must be replaced by the manufacturer, by an authorized technician or by a similarly qualified person.
- 4** The dispenser is not suitable for outdoor use.
- 5** The dispenser must be installed in the upright position.
- 6** Before cleaning, always disconnect the dispenser by removing the plug from the outlet.
- 7** Always disconnect the dispenser before removing any of the panels for cleaning or maintenance work.
- 8** Do not use a water jet to clean the dispenser.
- 9** This dispenser must not be operated by children.
- 10** Do not let children play with the dispenser.
- 11** This appliance must not be used by persons with reduced physical, sensory or mental capabilities or with a lack of experience and knowledge unless they have supervision or have been trained regarding the safe use of the appliance and understand the risks involved.
- 12** Only persons who know and have practical experience of the dispenser are permitted access to the inner components of the dispenser, especially when dealing with issues regarding safety and hygiene.
- 13** For the dispenser to operate correctly, ambient temperature must be between 41 °F and 89 °F.
- 14** Use the dispenser to cool the indicated liquids only.
- 15** Do not introduce dangerous or toxic liquids to the dispenser.

## 2 TECHNICAL CHARACTERISTICS

		SCBA118-37	SCBA128-37	SCBA168-37	SCBF118-37	SCBF128-37	SCBF168-37
Transparent removable bowls	#	1	2	3	1	2	3
Capacity of each bowl, approx.	gal	1.5	1.5	1.5	2.5	2.5	2.5
<b>Dimensions:</b>							
width	in	7.8	15.6	23.6	7.8	15.6	23.6
depth	in	18.9	18.9	18.9	18.9	18.9	18.9
height	in	24	24	24	27.9	27.9	27.9
Net weight, approx.	lb	55	90	125	55	99	134
Gross weight, approx.	lb	25	44	60	27	48	64
Hermetic compressor							
Air-cooled condenser							
Overload protector							
Noise level lower than 70 dB (A)							



### IMPORTANT

**Electrical characteristics: Read the data on the plate of each individual dispenser. This is located at the bottom of the front panel, behind the drip tray on the right. The serial numbers of the devices (preceded by the symbol #) are shown on the frame below. Always refer to the data shown on the plate.**

We reserve the right to amend this manual without notice.

## 3 INTRODUCTION

Read this instruction booklet carefully in order to familiarize yourself with all aspects of the dispenser. Like all mechanical products, this machine will require cleaning and maintenance. Good operation can also be affected by any errors made by the operator during disassembly and cleaning. For this reason, in the case of daily operations such as disassembly, cleaning, sanitizing and reassembly, it is important that the person using the dispenser is aware of the procedures and can perform them without making errors.

The warranty for the SCBA and SCBF machines is as follows: Five years on compressor; Three years on electrical board; Two years on non-wear parts; One year labor.

# SBCA & SCBF



**WHITE GLOVE  
SERVICE NETWORK**



Every machine includes White Glove Service. One call does it all – customer service, technical service, parts or warranty information, installation, startup, sales, on-site service dispatch and much more. Available 24 hours a day, seven days a week year-round. Contact White Glove Service at 800- 319-9549.

## 4 UNPACK THE MACHINE

- 1 Remove the dispenser from the packaging, which you should keep in case it is needed in the future.
- 2 Check that the dispenser has not been damaged during transport. If it has, make a report to the carrier immediately.

**NOTICE: Do not lay the machine on its side or back.**

**NOTICE: Do not lift the machine by the tank, auger, or handles. Only lift by grasping the bottom of the machine.**

**NOTICE: The machine must sit in the upright position for 24 hours before turning it on. This will allow the oil in the compressor to settle into place following shipping.**

- 3 Position the dispenser on a bench capable of supporting the weight, even at full load.
- 4 Allow a minimum clearance of at least 6 inches all around the dispenser so as not to impede the flow of cooling air.
- 5 Check the stability of the device, adjusting the height of the legs if necessary. If the dispenser is provided with taller legs (approximately 4 inches), these must replace the original ones.



### ATTENTION

**Make sure the device is properly grounded, otherwise you may cause electric shocks to persons or damage to the dispenser.**

- 6 The dispenser does not leave the factory washed and sanitized. Before use, it must be disassembled, washed and sanitized, following the instructions Cleaning on page 9 and Sanitizing on page 10.



### IMPORTANT

**Place the device in such a way that the power cable is easily accessible.**

- 7 If required by local regulations, it is possible to have the dispenser permanently connected to electrical power supply, ref. National Electrical Code (NEC) and NFPA 70. If this is the case, remove the terminal block and, if necessary, enlarge the hole on the sheet base, to allow the conduit entry.

## 5 TO OPERATE SAFELY

- 1 **Do not** operate the dispenser without reading this operator's manual.
- 2 **Do not** operate the dispenser unless it is properly grounded.
- 3 **Do not** operate the dispenser unless all panels are secured with screws.
- 4 **Do not** put objects or fingers in panels louvers or spigot outlet.
- 5 **Do not** remove bowls, augers and panels for cleaning or routine maintenance unless the dispenser is disconnected from its power source.
- 6 The cover must remain closed at all times.

## 6 OPERATING PROCEDURES

To remove the lid of the container, press the top key and slide the lid towards the front of the container. If there is a safety lock for the lid, turn the key in an counter-clockwise direction to release the open key (see figure 7).

- 1 Wash and sanitize the dispenser before using it, following the instructions in Cleaning on page 7.
- 2 Fill the bowl with the desired product. The maximum liquid mix is as follows: SCBA machines 1.5 gallons, and SCBF machines 2.5 gallons.
- 3 If using liquid or powder bases, specially prepared for granita, follow the manufacturer's instructions carefully.
- 4 If using natural products to prepare granita (for example lemon juice, orange juice or coffee), dissolve 3.5-7 ounces of sugar in each quart of product.

**5** If using freeze-dried bases to be diluted with milk or water, prepare the product in a separate container and only pour it into the machine bowls after making sure that it is homogeneous and that the powder is well dissolved.



**IMPORTANT**

**NOTICE: Amount of Sugar -** The sugar level of the mix or recipe must be between 10-17 percent. Mixes with sugar levels outside of this range will not freeze properly. Less than 10 percent, the machine may over-freeze the mix. Greater than 17 percent, the machine will have difficulty freezing the mix.

**NOTICE: Custom Recipes -** When using a custom recipe instead of a commercial mix, Stoelting strongly recommends using a refractometer to measure the sugar content.

**NOTICE: Using Alcohol -** Alcohol is an anti-freeze. Replace NO more than ¼ of the water required in the recipe with alcohol.



**IMPORTANT**

**Use the dispenser with food products only.**

**6** The dispenser must operate without interruption: The cooling system for each bowl will automatically stop when the product is ready to be dispensed, maintaining the set density. The augers will still continue to operate.

**6. 1 DESCRIPTION OF CONTROLS**

The dispenser is equipped with a main switch together with a touchpad and a screen for each bowl. These devices allow setting the dispenser operation mode. The following modes are available:

**STANDBY:** The dispenser is filled and it is ready to start.

**GRANITA MAKING:** The dispenser makes granitas according to the product in the bowl.

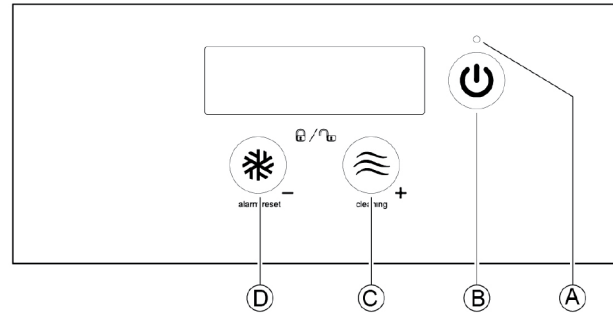
**PRODUCT PRESERVATION:** The dispenser keeps the liquid product at a suitable temperature for its preservation. This mode can be selected during the night, since it allows maintaining the product quality while reducing energy consumption.

**WASHING:** Only the mixers work, the cooling system is stopped. This mode can be selected during the dispenser washing.

**MAIN SWITCH:** The main switch is located under the dispenser, on the left side. It has the following functions:

Position 0: The dispenser is off.

Position I: The dispenser can work but it is in Standby mode. Only pilot light (A) is on.



**figure 1**

The keys have the following functions:

**Pilot Light (A):**

On the right bowl: If the pilot light is on, it indicates that the machine is in Standby mode; If the pilot light is off, it indicates that the machine is working; If the pilot light flashes, it indicates that the right bowl only is off.

On the left bowl: If the pilot light is off, it indicates that the bowl is working; If it flashes it indicates that the bowl is off.

**Standby Key (B):**

On the right bowl: If it is pressed for two seconds, it allows turning on and off the whole machine; If it is pressed quickly while the machine is working, it allows turning on and off a single bowl (on machines with multiple bowls only). If it is pressed twice quickly: It allows turning on and off the cover lights.

On the left bowl: If it is pressed quickly while the machine is working, it allows turning on and off a single bowl.

**Product Preservation Key (C):**

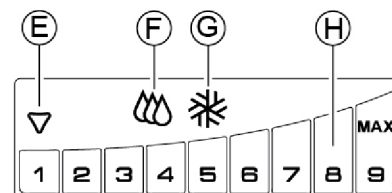
If it is pressed quickly, it allows increasing density. If it is pressed for one second while the machine is running in the Granita making mode, it allows switching to the Product Preservation mode. If it is pressed for one second while the machine is running in the Product Preservation mode, it allows switching to the Washing mode.

**Granita Making Key (D):**

If it is pressed quickly, it allows decreasing density. If it is pressed one second while the machine is running in the Product Preservation mode, it allows switching to the Granita Making mode.

If it is pressed one second while the machine is running in the Granita Making mode, it allows resetting possible alarms.

**The display shows the following icons:**



**figure 2**

**Compressor Icon (E):**

It shows the condition of the cooling solenoid valve.

Icon off: Solenoid valve closed

Icon flashing: Delay timer on

Icon on: Solenoid valve open

# SBCA & SCBF

## Product Preservation Icon (F):

If it is on, it shows that the machine is in the Product Preservation mode.

## Granita Making Icon (G):

If it is on, it shows that the machine is in the Granita Making mode.

## Density Bar (H):

It shows the set density value and the alarms.

## How To Start The Dispenser:

Turn the main power switch to position I. Pilot light (A) hopper will be illuminated, showing that the dispenser is ready to work. Keep button (B) pressed until the dispenser starts.

Select the operation mode and the desired product density by using keys (C) or (D).

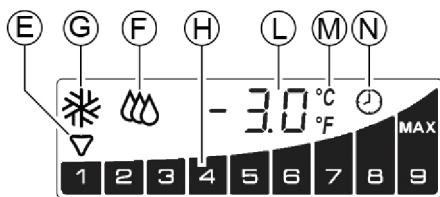


figure 3

## Compressor Icon (E):

It shows the condition of the cooling solenoid valve.

Icon off: Solenoid valve closed.

Icon flashing: Delay timer on.

Icon on: Solenoid valve open.

## Product Preservation Icon (F):

If it is on, it shows that the machine is in the Product Preservation mode.

## Granita Making Icon (G):

If it is on, it shows that the machine is in the Granita Making mode.

## Density Bar (H):

It shows the set density value and the alarms.

## Current Time (L):

Displays the current time and/or product temperature.

## °C/°F Scale Icon (M):

The temperature scale is set to (°C or °F)

## Timer Icon (N):

When this symbol is lit, the timer is operating.

## Timer

### DAY/NIGHT TIMER

This control board has a clock module which is used to automatically switch from day mode to night mode and vice versa at preset times.

**NOTE: On machines with multiple bowls, the timer is only present on the right control and its settings apply to all bowls.**

When the machine is in Standby, the current time is displayed with two flashing points separating the second and third digit to indicate the seconds. The current time and the mode switching times can only be set when the machine is in Standby mode using the following keys:

Setting of current time and temperature scale (°C/°F) Key B + Key C.

Setting of mode switching time intervals Key B + Key D

Timer ON/OFF Key D pressed for 5 seconds.

## SETTING OF CURRENT TIME

Press keys B and C simultaneously to enter the current time setting mode. Press keys C and D to make the individual settings and press key B to conform and move on to the next selection. The following must be set in this order:

**1** The number 24 or 12 are displayed and the second two digits flash.

**2** Setting of current time. The first two digits flash as well as the third or fourth digit if the 12 hr mode is selected.

**3** Setting of minutes. The second two digits flash.

## SETTING OF MODE SWITCHING TIME INTERVALS

Press keys B and D simultaneously to enter the switching time interval setting mode. The setting always starts from 00:00 and the first time with the day mode, indicated by a lit G icon. Press keys C and D to increase or decrease the time shown on the display by intervals of 15 minutes and press key B to modify the operating mode from day to night and vice versa. To adjust the intervals, you must select whether the machine should be in night or day mode at 00:00 by pressing key B and then press key C until you reach the time you want to change mode. Now press key B to switch mode and the icon comes on to indicate that the mode has changed. Scroll backwards and forwards using keys C and D to check the switching time intervals. You can set mode switching for every 15 minutes. When you reach 23:45 press key C again to quit the switching time interval setting.

If the 12 hr mode has been selected, A or P is indicated on the third or fourth figure (denoting AM or PM).

## TIMER ON/OFF

If you press key D for 5 seconds when the machine is in Standby mode, the day/night timer is activated. The icon N indicates the state of the timer. The default value the first time the machine is switched on is timer OFF.

**NOTE: The keypad lock also has affects the Standby mode and therefore the possibility of adjusting the clock.**

## TEMPORARY SUSPENSION OF TIMER

When the timer is activated and the machine is operating in Day Mode, the timer can be temporarily suspended so that the operating mode can be manually adjusted. To do this, hold down the night key for two seconds, when the timer icon flashes you can select the Night Mode or Cleaning on any bowl. Press the day key again to reactivate the timer.

## 6. 2 ADDITIONAL FUNCTIONS

### LIGHT SWITCHING ON/OFF

By pressing key standby (B) twice quickly, lights can be turned on and off. When the machine is in the Granita Making mode, lights are always on; when the machine is in the Product Preservation mode, lights are always off.

### DENSITY ADJUSTMENT

When the machine is working in the Granita Making mode, it is possible to adjust product density by pressing keys C or D briefly.

The factory set value is 5, which is recommended to make granitas.

**WASHING MODE**

When the dispenser is in the Product Preservation mode, by pressing key C for two seconds, the Washing mode is enabled. In such a case, the auger turns but cooling is disabled.

Use this mode during the machine washing and sterilization to prevent the cleaning solution from cooling.

By pressing any key, the dispenser exits from the Washing mode and returns to the Product Preservation mode.

**ALARM DISPLAY**

If a fault occurs during the dispenser operation, an alarm message is displayed. One of the elements on the density bar hopper flash showing the corresponding alarm number. To find a detailed alarm list, please refer to the Service Manual.

**COMPRESSOR CONDITION**

The compressor condition is shown above the first density bar of the right bowl:

- Off: Compressor off
- Flashing: Start delay timer on
- On: Compressor on

**TOUCHPAD LOCK**

It is possible to lock the touchpad to prevent access to the dispenser controls by keeping keys C and D pressed together for two seconds.

By pressing keys C and D at the same time again, the touchpad is unlocked.

**6. 3 OPERATION HELPFUL HINTS**

- 1** The time required to make servable product varies depending on several factors such as the ambient temperature, the initial temperature of the product, its sugar content (degrees Brix) and fat content and the density adjustment.
- 2** Filling the bowls with product that is already precooled further increases the efficiency of the dispenser.
- 3** To further reduce recovery time, refill the bowls when the level of product is below the halfway point of the evaporator.
- 4** To store the product correctly, the dispenser must also operate at night, at least in the PRODUCT STORAGE position.
- 5** Night operation in the PRODUCT STORAGE position also eliminates the possible formation of ice (due to condensation of atmospheric moisture) on the outside of the bowls.
- 6** Never turn the dispenser off when there is product in the bowls. If not cooled, the product may deteriorate. Furthermore, unless it is mixed, it may stick together and form blocks of ice. If the mixer is restarted in these conditions (without waiting for the ice to melt), the dispenser may be damaged.
- 7** All dispensers of this kind emit heat. If, however, this emission seems excessive, check that no source of heat is located near the dispenser itself and, in particular, near the louvered panels. Also make sure that the airflow is not impeded by the proximity of walls, boxes or similar. Leave at least 6 inches of free space around the dispenser. Finally, check that the filter located behind the rear panel is clean.



**ATTENTION**

The access to the service area is restricted to persons having safety/hygiene knowledge and practical experience on the dispenser.

- 8** The product is for use with confectionery drinks only.

**6. 4 CLEANING**

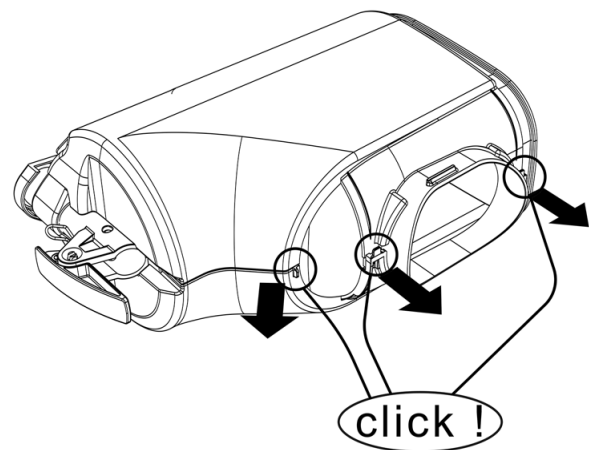
**1** Cleaning and washing are essential to guarantee the perfect preservation of the taste of the product and the maximum efficiency of your dispenser. The procedures described below should be considered general in nature and may vary due to local health regulations.

**2** Before disassembly for washing, the dispenser must be emptied. Proceed as follows:

- Use the touchpad to select the CLEANING operating mode.
- If necessary, wait until the product becomes liquid.
- Remove the flow restrictor from the bowl (see figure 13).
- Place a bucket under each spigot and empty the bowls.
- Fill the bowls with water and allow the dispenser to operate in CLEANING mode for a few minutes. Then empty the bowls.
- Hold down key A to switch off the dispenser.
- Turn the main power switch OFF.

**6. 4. 1 DISASSEMBLY DOUBLE-WALLED BOWL**

- 1** Click open the two parts. (see figure 4).



**figure 4**

- 2** Remove the left-hand part and then the right-hand part of the recover. (see figure 5) (see figure 6).

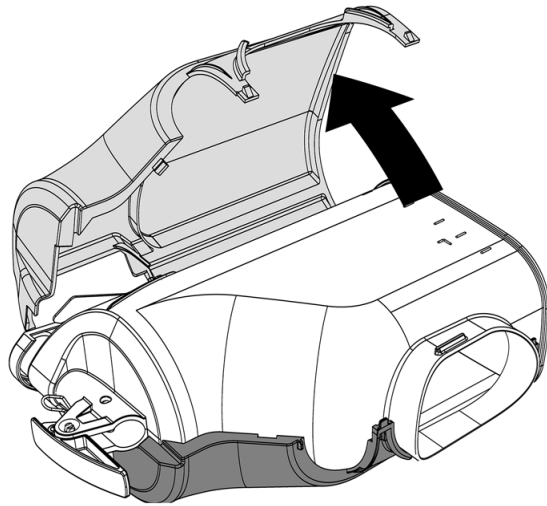


figure 5

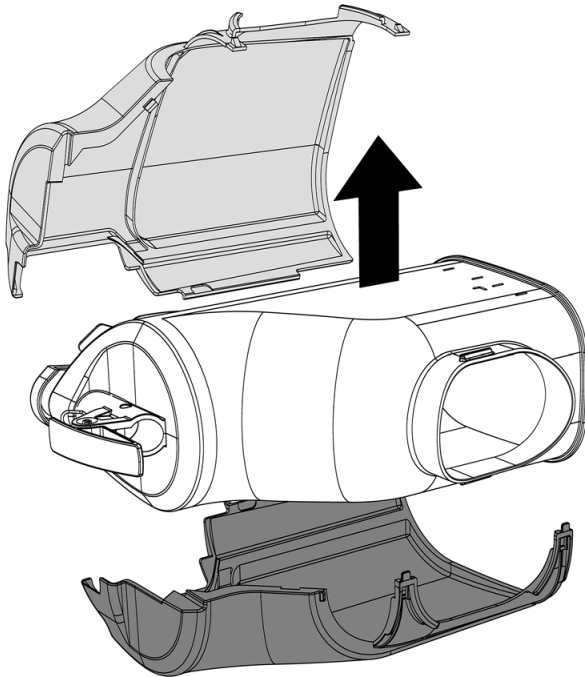


figure 6

## 6. 4. 2 DISASSEMBLY



### ATTENTION

Before disassembling any component, always unplug the device from the mains.

- 1 To remove the lid of the container, press the top button and slide the lid towards the front of the container. If there is a safety lock for the lid, turn the key in a counter-clockwise direction to release the open button (see figure 7).

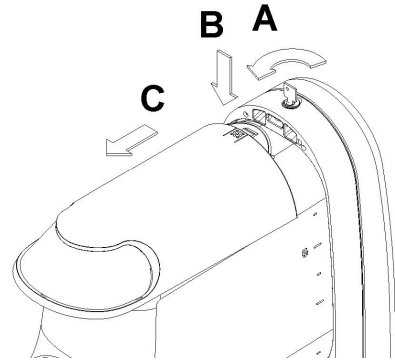


figure 7

- 2 To remove the container, push the lever upwards (see figure 8) and then remove the container itself (see figure 9).

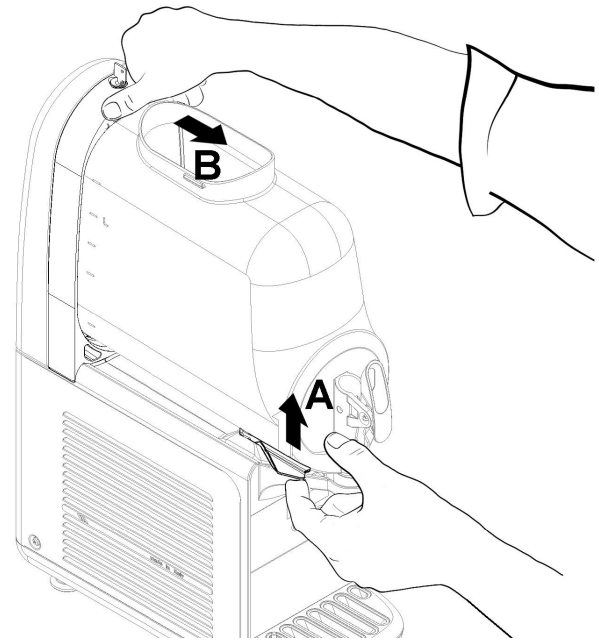


figure 8

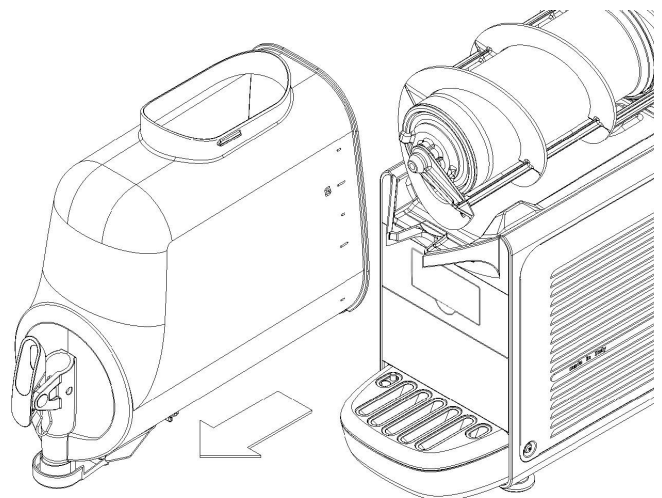
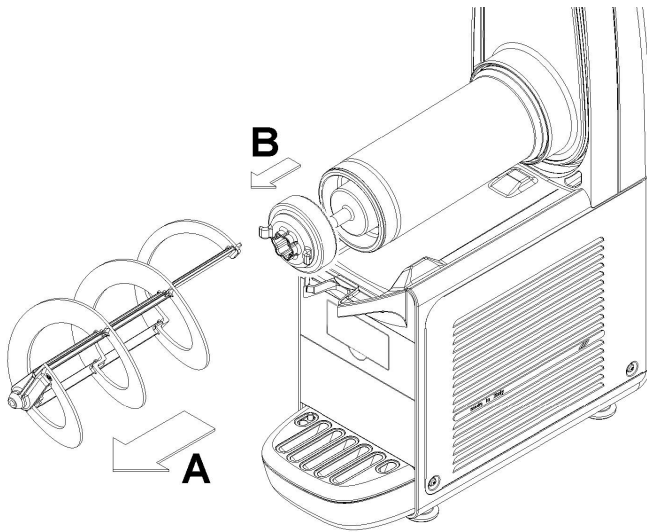


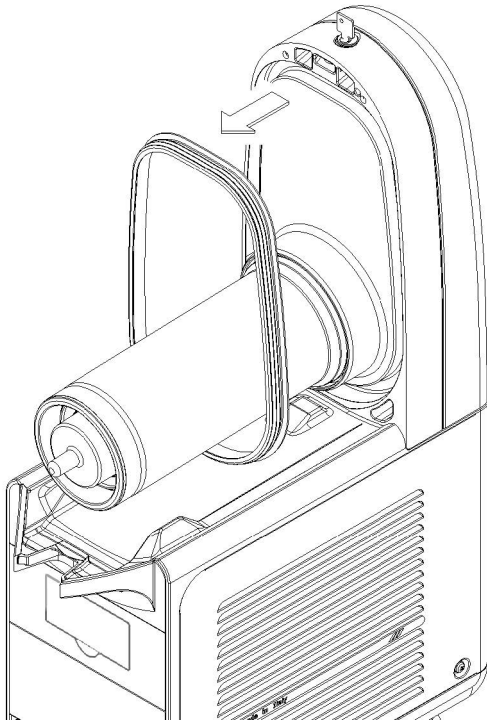
figure 9

**3** Remove the mixer by sliding it out of the evaporator cylinder. Then remove the hexagonal joint (see figure 10).



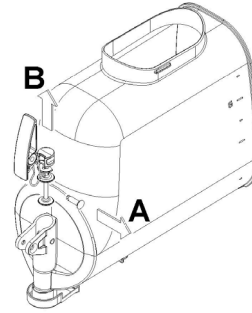
**figure 10**

**4** Remove the gasket from its housing (see figure 11).



**figure 11**

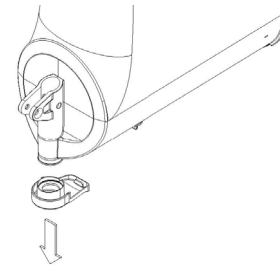
**5** Disassemble the tap by following the order given (see figure 12).



**figure 12**

**6** Remove the drip tray and empty it.

**7** Remove the flow restrictor from the container (see figure 13).



**figure 13**

### 6. 4. 3 CLEANING



#### IMPORTANT

Do not wash any part of the machine in a dishwasher.



#### ATTENTION

Before any cleaning operation, always unplug the dispenser from the mains or turn off the external wall switch.

**1** Pour about one gallon of 90-110 °F water and mild detergent into a bucket, following the manufacturer's instructions. A solution that is too strong can, in fact, damage the parts to be washed, while a solution that is too diluted may not clean enough. Do not use abrasive detergents.



#### IMPORTANT

In order to prevent damage to the dispenser, use only detergents that are compatible with the plastic parts.

## SBCA & SCBF

2 Use a suitable brush and wash all the parts in contact with the beverage thoroughly with the detergent solution.



### ATTENTION

While washing the dispenser, do not use excessive amounts of water around the electrical components. This could cause electric shocks or damage to the dispenser.

- 3 Wash the evaporator cylinders using a soft brush.
- 4 Rinse all washed parts under running water.

### 6. 4. 4 SANITIZING

Sanitizing must be done immediately before starting up the dispenser. Do not allow the dispenser to remain idle for a long time after sanitation.

1 Before starting the procedures described below, wash your hands with antibacterial soap.

2 Prepare 2 gallons of Stera-Sheen sanitizing solution according to the manufacturer's instructions.

3 Immerse all parts to be sanitized in the solution for the time indicated by the product manufacturer.

4 Dry the external parts of the dispenser without using abrasive cloths.

### 6. 4. 5 REFITTING DOUBLE-WALLED BOWL

1 Place the right-hand part of the recover on a surface. Place the container inside it.(see )(see figure 15).

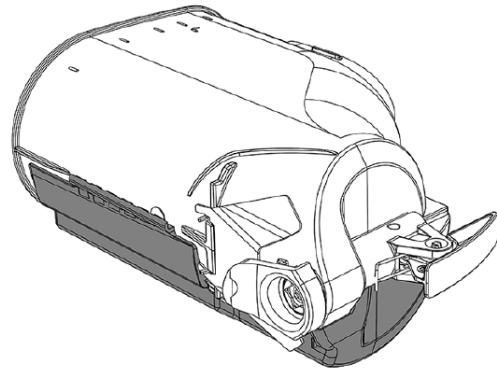


figure 15

2 Put the left-hand part of the recover into position and make sure that it fits into the illustrated groove. Click the two parts together. (see figure 16)(see figure 17).

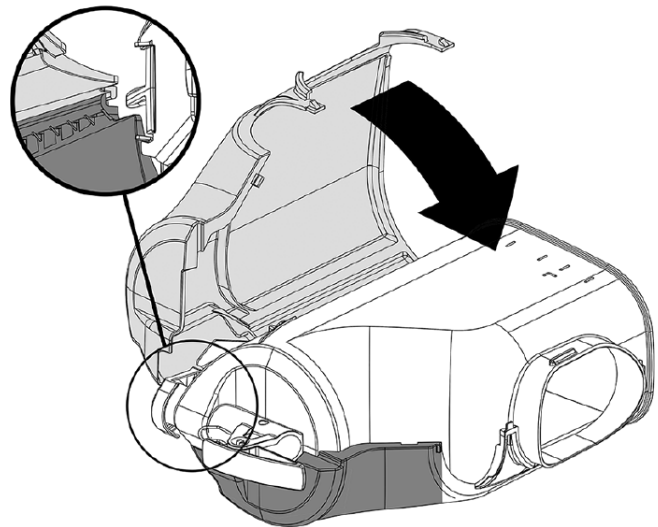


figure 16

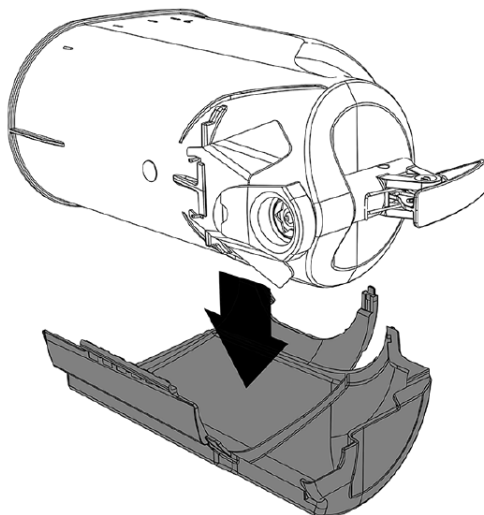


figure 14

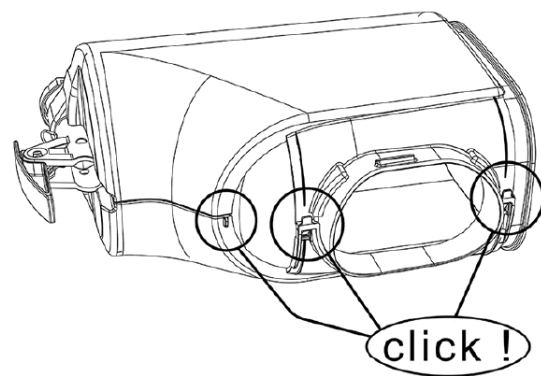


figure 17

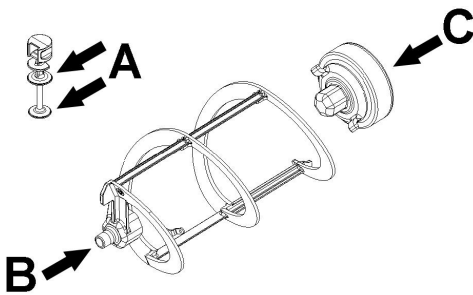
**6. 4. 6 ASSEMBLY**

**NOTE:** Total Blend sanitary lubricant, or equivalent must be used when lubrication of parts is specified. Total Blend can be used to lubricate parts and also as a spline lubricant. Do not use more than one packet of Total Blend per freezing cylinder.

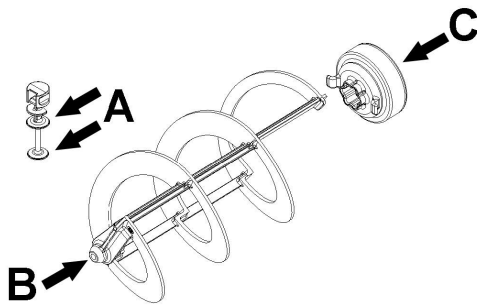
**NOTE:** The United States Department of Agriculture and the Food and Drug Administration require that lubricants used on food processing equipment be certified for this use. Use lubricants only in accordance with the manufacture’s instructions.

**1** Slide the drip tray into place.

**2** Lubricate the tap piston, the hexagonal joint and the mixer at the points indicated in figure 18 (B-Frozen 6) or figure 19 (B-Frozen 10), using only the grease that came with the machine or other grease for use with food.



**figure 18**

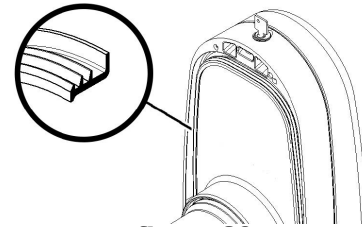


**figure 19**

**3** Assemble the tap on the container in reverse order compared to that shown in figure 18 and figure 19.

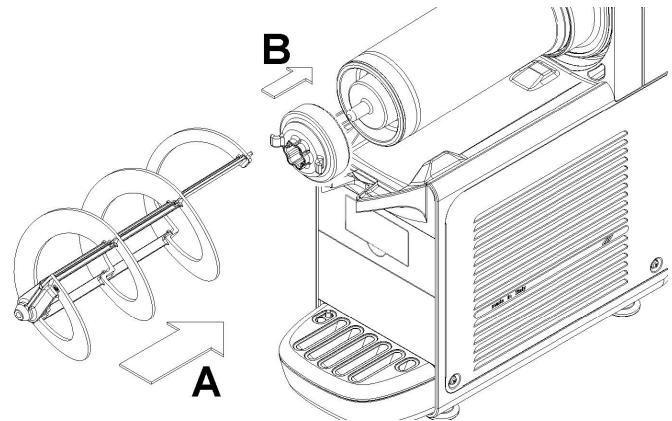
**4** Replace the container gasket.

**NOTE:** The rim with the greater diameter must be rested on the rear wall (see figure 20).



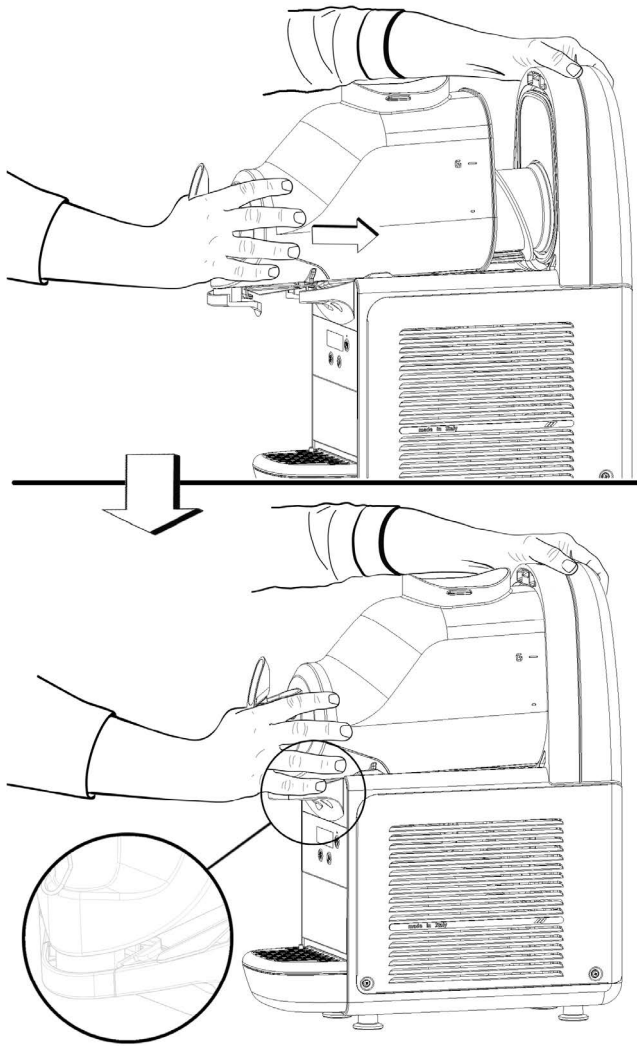
**figure 20**

**5** Assemble the hexagonal joint and then the mixer (see figure 21).



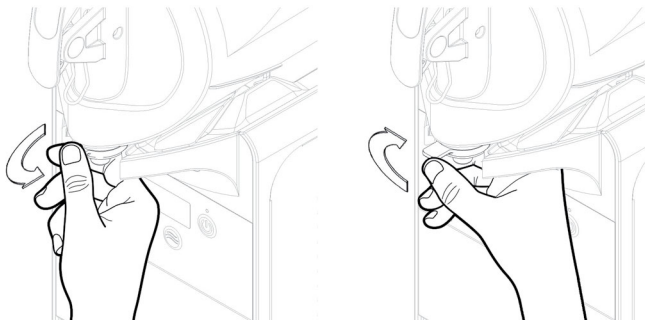
**figure 21**

**6** Replace the container by pushing it towards the back wall, making sure it fits properly onto the gasket. The locking lever will be lowered until it rests on the drip tray surface. (see figure 22).



**figure 22**

**7** For cold drink dispensing or cleaning, install the Cold Drink Restrictor (BR0313). To install remove the condensation ring, clip the cold drink restrictor on the end of the spigot. To remove or disassemble place thumb on cold drink restrictor tab and lightly pull down to remove.



**figure 23**

## 6. 5 IN-PLACE SANITIZATION

**NOTE:** Sanitizing the assembled device, prior to putting into service, should only be performed, if necessary, as an additional precaution to the sanitization of the disassembled devices described previously, never instead of it.

- 1** Prepare a solution of water and sodium hypochlorite (bleach) at a ratio of 2 tablespoons per one gallon of water.
- 2** Pour the solution into the containers.
- 3** Using a suitable brush, wipe the solution onto all parts above the level of the solution and on the underside of the cover.
- 4** Install the cover and operate the dispenser to allow the solution to be stirred for about 2 minutes. Drain the sanitizing solution from the bowls through the spigots and then dispose of it.
- 5** Remove the flow restrictor from the container (see figure 13).
- 6** Rinse using a cool water in order to eliminate any remaining sanitizing solution from the bottom of the containers. Do not perform further rinsing.

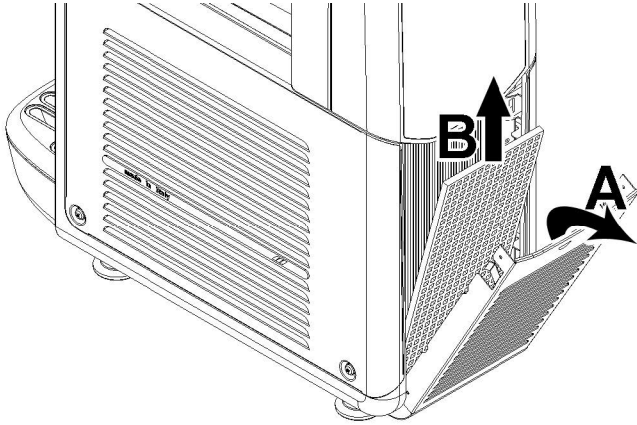
## 6. 6 FREEZE DOWN & OPERATION

- 1** Place a container under the spigot and rinse the bowl with mix to flush out any remaining sanitizing solution.
- 2** Fill the bowls with chilled mix.
- 3** Turn on the main power.
- 4** Press the power/standby button then press and hold the freeze button for 1 second to start freezing product.
- 5** Once freezing, the snowflake icon displays on the screen and the density bars are displayed.
- 6** Momentarily press the freeze or clean button to increase or decrease density.

## 7 ROUTINE MAINTENANCE

- 1 Every day:** Inspect the dispenser and check for leaks of product from the gaskets. If you notice leaks, first make sure that the components of the dispenser are properly installed, then check that the gaskets do not require lubrication and finally that they are not worn or damaged. If they are worn, replace with original replacement parts from the manufacturer.
- 2 Every month:** Remove the dust from the condenser filter on the back of the machine (see figure 24).

**7. 1 MAINTENANCE (TO BE CARRIED OUT BY QUALIFIED SERVICE PERSONNEL ONLY)**



**figure 24**



**ATTENTION**

Beware of the condenser fins as they are sharp.

**NOTE:** Unplug the cooler and call for service if loud or abnormal noise comes from the cooler.



**IMPORTANT**

In order to prevent damage to the dispenser, the plastic parts must only be lubricated with the grease supplied by the manufacturer or with another type of food-safe grease.

**Annually:** Remove all the panels and clean the inside of the machine including the base and the inside of the panels. Never remove the anti-condensation material wrapped around the evaporator outlet tube (the copper tube located to the right of the geared motor). If said material is missing or lost, replace with original replacement parts from the manufacturer.

**8 WARRANTY**

For additional warranty information, please visit [www.stoeltingfoodservice.com](http://www.stoeltingfoodservice.com).



## 1 ISTRUZIONI DI SICUREZZA ELETTRICA

**1** Prima di collegare elettricamente il distributore, controllare che la tensione di rete sia quella corretta indicata in targa. Collegare il distributore a una rete monofase, servendosi di una presa completa di messa a terra secondo quanto stabilito dalle norme vigenti. Nel caso la disconnessione dell'apparecchio dalla rete elettrica sia effettuata con un interruttore unipolare, tale interruttore deve garantire una distanza di apertura dei contatti che consenta la disconnessione completa nelle condizioni della categoria di sovratensione III.

**2** Non usare prolunghe per collegare elettricamente l'apparecchio.

**3** Se il cavo di alimentazione è danneggiato, esso deve essere sostituito dal costruttore o dal suo servizio assistenza tecnica o, comunque, da una persona con qualifica simile, in modo da prevenire ogni rischio.

**4** L'apparecchio non è adatto per l'uso in ambienti esterni.

**5** L'apparecchio deve essere installato in posizione verticale.

**6** Prima di qualsiasi intervento di pulizia disconnettere sempre elettricamente il distributore estraendo la spina dalla presa.

**7** Non smontare i pannelli per pulizia o manutenzione senza assicurarsi che il distributore sia scollegato elettricamente.

**8** Per la pulizia, non utilizzare un getto d'acqua.

**9** Questo apparecchio non può essere utilizzato da bambini.

**10** Evitare che bambini giochino con l'apparecchio.

**11** Questo apparecchio non può essere utilizzato da persone con capacità fisiche, sensoriali o mentali ridotte o prive di esperienza e conoscenza, a meno che queste non abbiano ricevuto assistenza e formazione per l'uso sicuro dell'apparecchio e comprendano i pericoli da esso derivanti.

**12** L'accesso alla parte interna del distributore è limitata alle persone che hanno conoscenza ed esperienza pratica dell'apparecchio, specialmente quando si tratta di sicurezza e di igiene.

## 2 ISTRUZIONI DI SICUREZZA IGENICA

**1** Questo apparecchio è destinato all'utilizzo per applicazioni domestiche e simili.

**2** Per un corretto funzionamento, la temperatura ambiente deve essere compresa tra +5° e +32°C.

**3** Utilizzare l'apparecchio esclusivamente per il raffreddamento dei liquidi indicati.

**4** Non introdurre sostanze o liquidi pericolosi o tossici all'interno dell'apparecchio.

## 3 CARATTERISTICHE TECNICHE

		SCBA118-37	SCBA128-37	SCBA168-37	SCBF118-37	SCBF128-37	SCBF168-37
Contenitori trasparenti smontabili	n	1	2	3	1	2	3
Capacità singolo contenitore, circa	l	6	6	6	10	10	10
<b>Dimensioni:</b>							
larghezza	cm	20	40	60	20	40	60
profondità	cm	50	50	50	51	51	51
altezza	cm	60	60	60	68	68	68
Peso netto, circa	kg	26	42	57	27	45	62
Peso lordo, circa	kg	28	45	61	29	48	66
Motocompressore ermetico							
Condensatore a ventilazione forzata							
Salvamotore							
Livello di rumorosità inferiore a 70 dB (A)							



### IMPORTANTE

**Caratteristiche elettriche: leggere i dati riportati sulla targa di ogni singolo distributore; questa è situata nella parte inferiore del pannello frontale, dietro il cassetto raccogliocce di destra. I numeri di matricola degli apparecchi (preceduti dal simbolo #) sono riportati sotto al telaio. I dati riportati sulla targa sono sempre quelli a cui fare riferimento.**

E' riservato il diritto di modifica del presente manuale senza preavviso.

## 4 INTRODUZIONE

E' necessario leggere attentamente questo libretto di istruzioni allo scopo di conoscere tutte le caratteristiche del distributore. Come tutti i prodotti meccanici, anche questo distributore richiede pulizia e cura. Il suo buon funzionamento inoltre può essere compromesso da eventuali errori compiuti dall'operatore durante le fasi di smontaggio e pulizia. Per questo motivo è importante che le procedure di smontaggio, lavaggio, sanitizzazione e rimontaggio, essendo operazioni giornaliere, siano conosciute senza possibilità di errore a chi utilizza il distributore.

# SBCA & SCBF

## 5 INSTALLAZIONE

1 Estrarre il distributore dall'imballo, che è consigliabile conservare per future necessità.



### IMPORTANTE

Nelle operazioni di trasporto o sollevamento, il distributore non deve mai essere afferrato per i contenitori trasparenti o i cilindri evaporatori. Il fabbricante non risponde dei danni provocati dalle suddette errate manovre.

2 Controllare che il distributore non abbia subito danni da trasporto. In caso contrario, provvedere immediatamente ad effettuare il reclamo presso il vettore.

3 Appoggiare il distributore su un banco in grado di sostenerne il peso, anche a carico completo, **tenendo presente quanto detto all'avvertimento IMPORTANTE del precedente punto 1.**

4 Lasciare uno spazio libero di almeno 15 cm attorno a tutto il distributore per non ostacolare il flusso d'aria di raffreddamento.

5 Controllare la stabilità dell'apparecchio regolando eventualmente i piedini in altezza. Nel caso in cui con il distributore venga fornita una serie di piedini alti (100 mm circa), questa deve essere sostituita a quella originale.



### ATTENZIONE

**Assicurarsi che l'apparecchio sia correttamente collegato a terra; in caso contrario è possibile causare shock elettrici alle persone o danneggiare il distributore.**

6 Il distributore non esce prelavato e sanificato dalla fabbrica. Prima dell'uso esso deve essere smontato, lavato e sanificato seguendo quanto previsto nelle presenti istruzioni al capitolo 7.3 PULIZIA.



### IMPORTANTE

**Posizionare l'apparecchio in maniera tale che la spina del cavo di alimentazione sia facilmente accessibile.**

7 Se richiesto dalle vigenti norme locali, è possibile trasformare l'apparecchio ad una connessione permanente, con riferimento alle National Electrical Code (NEC) e NFPA 70. In tal caso rimuovere il passabloccacavo e, se necessario, allargare il foro nella base in lamiera per consentire l'ingresso del conduit.

## 6 PER UN FUNZIONAMENTO SICURO E CORRETTO

1 **Non** usare il distributore prima di aver letto il presente libretto d'istruzioni.

2 **Non** usare il distributore se non correttamente collegato a terra.

3 **Non** mettere in funzione il distributore se i pannelli non sono al loro posto e bloccati con viti.

4 **Non** introdurre dita o oggetti nelle fessure dei pannelli e nell'apertura del rubinetto.

5 **Non** smontare la vasca, **non** rimuovere mescolatori o pannelli per pulizia o manutenzione senza assicurarsi che il distributore sia scollegato elettricamente.

6 Il coperchio deve rimanere sempre chiuso.

7 **Non** versare prodotto alimentare, all'interno del distributore, ad una temperatura superiore ai 40°C.

## 7 ISTRUZIONI PER L'USO

Per rimuovere il coperchio del contenitore, premere il tasto superiore e far scorrere il coperchio stesso verso la parte anteriore del contenitore.

Nel caso sia presente la serratura per la chiusura di sicurezza del coperchio, ruotare la chiave in senso antiorario per sbloccare il tasto di apertura (vedere figura 6).

1 Lavare e sanificare il distributore prima di utilizzarlo seguendo quanto previsto nelle presenti istruzioni al capitolo 7.3.3 LAVAGGIO.

2 Riempire i contenitori con il prodotto desiderato, tenendo conto che questo, durante la lavorazione, aumenterà di volume. Per questo motivo i contenitori non devono essere riempiti fino alla massima capacità.

Per la preparazione di granite considerare un aumento di volume pari a circa il 10%.

3 Nel caso si utilizzino basi liquide o in polvere, appositamente preparate per granite, seguire attentamente le istruzioni del produttore.

4 Nel caso si utilizzino prodotti naturali per la preparazione di granite (per esempio succo di limone, arancio o caffè), sciogliere 150-200 grammi di zucchero in ogni litro di prodotto.

5 Nel caso si utilizzino basi liofilizzate da diluire con latte o acqua, preparare il prodotto in un recipiente separato e versarlo nei contenitori della macchina solo dopo essersi assicurati che questo sia omogeneo e che la polvere sia ben stemperata.



### IMPORTANTE

**In ogni caso, ottenuta la miscela, il suo grado Brix (contenuto percentuale di zucchero) deve essere superiore a 13.**

**Non utilizzare mai la macchina con sola acqua.**



### IMPORTANTE

**Utilizzare il distributore solamente con prodotti alimentari.**

6 Agire sui comandi (vedere capitolo 7.1 DESCRIZIONE DEI COMANDI).

7 Il distributore deve funzionare ininterrottamente: il sistema di raffreddamento di ogni contenitore si arresterà automaticamente quando il prodotto sarà pronto per la distribuzione mantenendo la densità impostata. I dispositivi di mescolazione continueranno a funzionare.

8 Qualora si utilizzi il distributore con prodotti a base latte, non spegnerlo mai. Quando non si utilizza attivare la funzione conservazione.

## 7. 1 DESCRIZIONE DEI COMANDI

Il distributore è provvisto di un interruttore generale. Ciascun contenitore è poi dotato di un interruttore per attivare la mescolazione e selezionare il tipo di raffreddamento del prodotto. E' infatti possibile ottenere tanto bibite fredde quanto prodotti ghiacciati quali granite o sorbetti.

Quando è selezionata la funzione bibita la temperatura della bevanda è regolata dal corrispondente termostato. Quando è selezionata la funzione granita la densità del prodotto è regolata dalla apposita vite di regolazione alloggiata in ciascuna delle pareti posteriori del distributore (per la regolazione di temperatura e densità fare riferimento al capitolo 7.2 SUGGERIMENTI).

Tutti gli interruttori sono collocati nella parte frontale del distributore (lato rubinetti) e sono protetti da un apposito sportello (vedere figura 1).

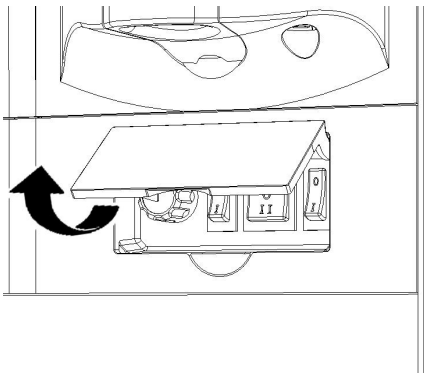


figura 1

Le funzioni dei comandi del distributore sono di seguito elencate:

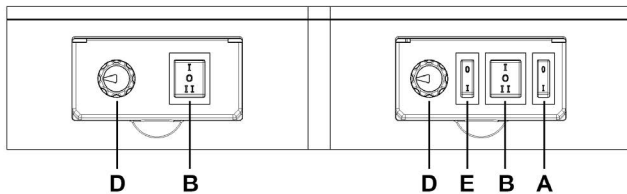


figura 2

### Interruttore generale (A)

- Posizione 0 : il distributore è spento.
- Posizione I : il distributore è abilitato al funzionamento. Ventilatore in funzione.

### Interruttore luci (E) (se presente)

- Posizione 0 : luci coperchio spente.
- Posizione I : luci coperchio accese.

### Interruttori mescolatori e refrigerazione (B)

- Posizione I : mescolatori e refrigerazione in funzione. Posizione BIBITA.
- Posizione 0 : mescolatori e refrigerazione spenti.
- Posizione II : mescolatori e refrigerazione in funzione. Posizione GRANITA.

### Termostato (D)

- Rotazione in senso orario : bevanda più fredda.
- Rotazione in senso antiorario : bevanda meno fredda.

Per il funzionamento del distributore:

- 1 Mettere l'interruttore generale in posizione I.
  - 2 Regolare gli interruttori mescolatori e refrigerazione:
    - in posizione I se si desidera raffreddare il prodotto senza ghiacciarlo
    - in posizione II se si desidera ottenere granita.
- Mettere l'interruttore luci in posizione I per accendere le luci.

## 8 SUGGERIMENTI

**1 Regolazione della densità:** la densità ottimale della granita è stata regolata in fabbrica. Volendo variare tale densità girare con un cacciavite l'apposita vite di regolazione alloggiata in ciascuna delle pareti posteriori del distributore (vedere figura 3):

- verso destra (senso orario) per ottenere una granita più densa (l'indice F nella finestrella G si sposterà verso il basso).
- verso sinistra (senso antiorario) per ottenere una granita meno densa (l'indice F nella finestrella G si sposterà verso l'alto).

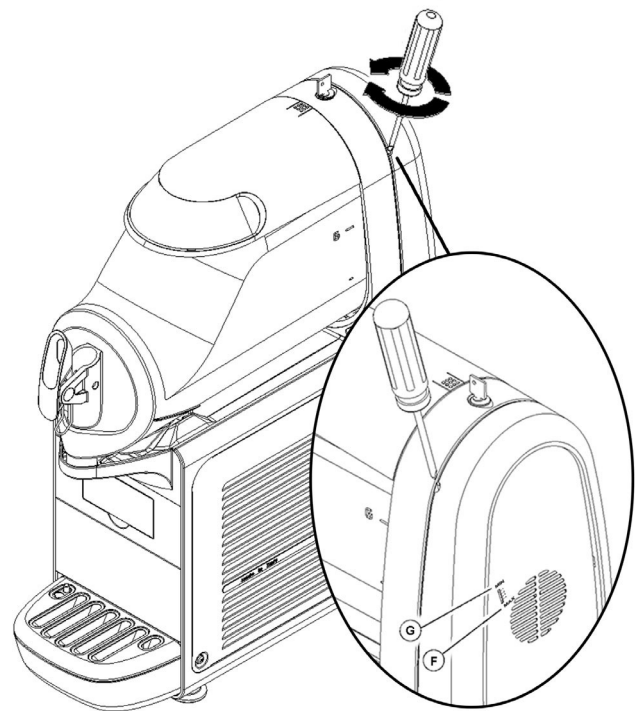


figura 3

**2 Regolazione della temperatura:** la temperatura ottimale delle bevande (per il funzionamento del distributore come refrigeratore di bevande anziché come granitore) è regolata in fabbrica. Volendo variare tale temperatura ruotare la manopola situata in ciascuna scatola porta interruttori:

- verso destra (senso orario) per ottenere una bibita più fredda.
- verso sinistra (senso antiorario) per ottenere una bibita meno fredda.

**NOTA:** la regolazione della temperatura della bevanda ha effetto solo quando l'interruttore mescolatori e refrigerazione corrispondente è in posizione Bibita.

## SBCA & SCBF

**3** Il tempo necessario per ottenere la refrigerazione del prodotto varia a seconda di diversi fattori quali ad esempio la temperatura ambiente, la temperatura iniziale del prodotto, il suo contenuto di zucchero (grado Brix) e la regolazione della densità.

**4** Rabboccando i contenitori con prodotto già preraffreddato si aumenta ulteriormente l'efficienza del distributore.

**5** Per diminuire ulteriormente i tempi di ripristino ed aumentare quindi l'autonomia del distributore, rabboccare le vasche quando il livello del prodotto è sceso a metà evaporatore.

**6** Per la buona conservazione del prodotto, il distributore deve funzionare anche durante la notte, quantomeno in posizione Bibita. Qualora ciò non sia possibile ed i prodotti rimangono nei contenitori a distributore fermo è opportuno, un'ora prima di spegnere l'apparecchio, regolare gli interruttori mescolatori e refrigerazione in posizione I; ciò evita il formarsi di blocchi o croste di ghiaccio che all'indomani potrebbero danneggiare i dispositivi mescolatori. Nell'eventualità in cui comunque si dovessero formare blocchi di ghiaccio, essi dovranno sempre essere rimossi prima di rimettere in funzione il distributore. Il funzionamento notturno in posizione Bibita elimina inoltre la possibile formazione di ghiaccio (per condensazione dell'umidità atmosferica) all'esterno dei contenitori.

**7** Non fermare mai i mescolatori quando c'è granita nei contenitori; se non viene mescolata questa può aggregarsi e formare un unico blocco di ghiaccio. Facendo ripartire i mescolatori in queste condizioni (senza attendere che il ghiaccio sia sciolto), essi potrebbero danneggiarsi.

**8** Il distributore è dotato di un giunto magnetico per la trasmissione del movimento ai mescolatori.

Al fine di prevenire danni all'apparecchio, in caso di bloccaggio dei mescolatori a causa di blocchi di ghiaccio o altro all'interno della vasca, il giunto magnetico provvede a disconnettere automaticamente la trasmissione del moto.

Tale situazione è identificabile oltreché dal bloccaggio dei mescolatori da un rumore intermittente proveniente dall'apparecchio. In questo caso è necessario fermare immediatamente il distributore, svuotare il contenitore interessato ed eliminare la causa del bloccaggio.

**9** Ogni distributore di questo genere deve emettere calore. Se però tale emissione dovesse sembrare eccessiva, controllare che nessuna fonte di calore venga a trovarsi nei pressi del distributore stesso e, in particolare, in prossimità dei pannelli grigliati. Assicurarsi inoltre che il flusso d'aria non venga ostacolato dalla vicinanza di pareti, scatole o altro. Lasciare almeno 15 cm di spazio libero intorno al distributore.

In ogni caso quando il prodotto all'interno dei contenitori è ghiacciato e la spia del pressostato è spenta si ha la certezza che tutto funziona regolarmente e che il calore emesso non è dannoso.

**10** Il prodotto è solo per uso con alimenti dolciari.

### 8. 1 PULIZIA

**1** Pulizia e lavaggio sono fondamentali per garantire la perfetta conservazione del gusto della bevanda e la massima efficienza del vostro distributore. Le procedure descritte nel seguito devono essere considerate di carattere generale e possono variare per effetto della regolamentazione sanitaria vigente.

**2** Prima dello smontaggio per il lavaggio il distributore deve essere svuotato del prodotto. Procedere come segue:

- mettere l'interruttore generale in posizione I
- mettere gli interruttori mescolatori/refrigerazione in posizione I
- posizionare un recipiente sotto ogni rubinetto e svuotare i contenitori
- mettere tutti gli interruttori in posizione 0.

### 8. 1. 1 SMONTAGGIO CIOTOLA A DOPPIA PARETE

**1** Aprire le due parti, facendo scattare. (vedere figura 4).

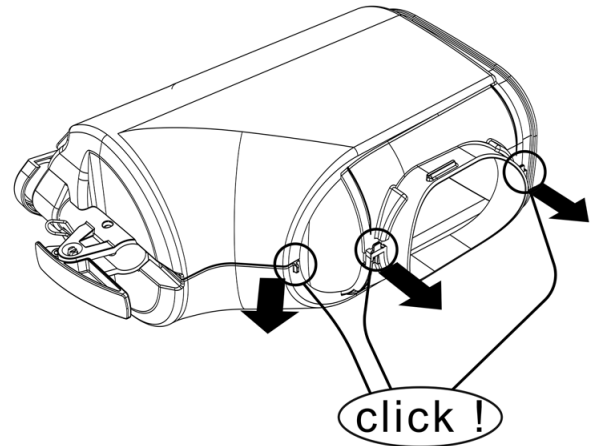
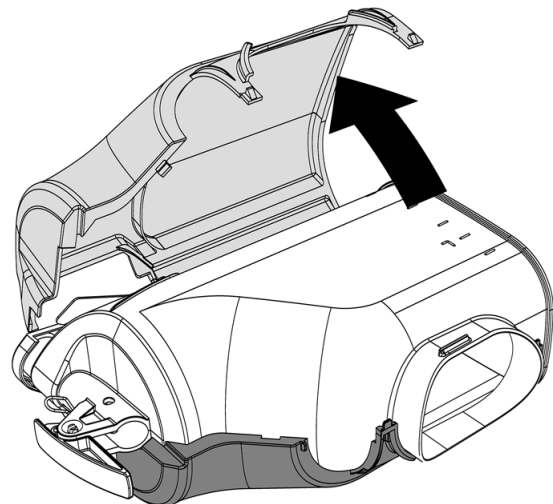


figura 4

**2** Rimuovere la parte sinistra del recover e successivamente la destra. (vedere )(vedere figura 5).



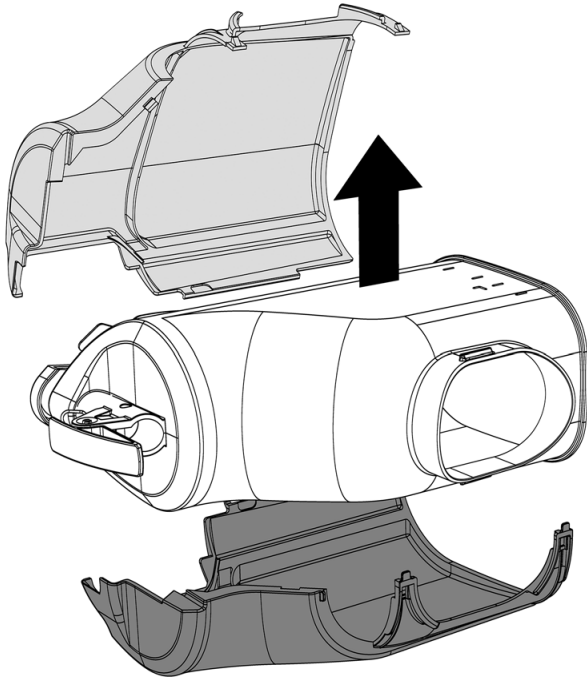


figura 5

**2** Per smontare il contenitore è necessario spingere verso l'alto l'apposita leva (vedere figura 7) e quindi sfilare il contenitore stesso (vedere figura 8).

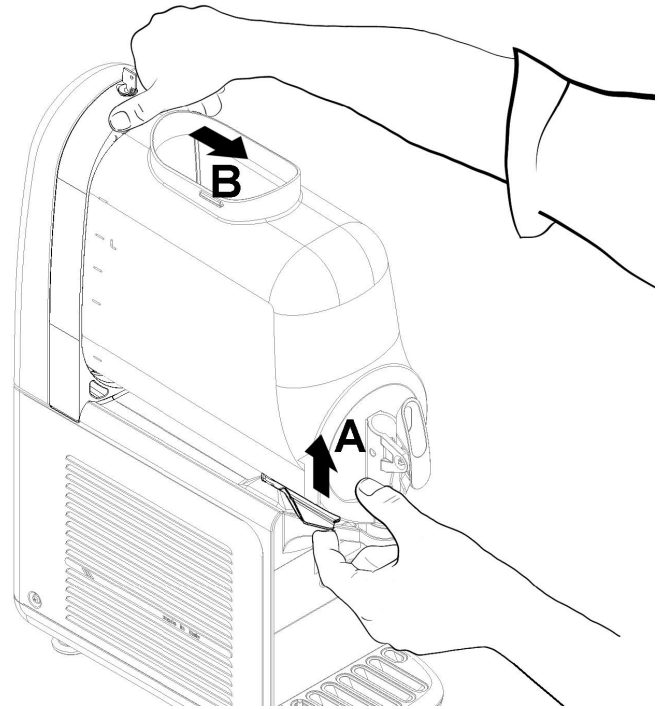


figura 7

### 8. 1. 2 SMONTAGGIO



#### ATTENZIONE

Prima di procedere allo smontaggio di qualsiasi componente disconnettere sempre elettricamente l'apparecchio togliendo la spina dalla presa.

**1** Per rimuovere il coperchio del contenitore, premere il tasto superiore e far scorrere il coperchio stesso verso la parte anteriore del contenitore. Nel caso sia presente la serratura per la chiusura di sicurezza del coperchio, ruotare la chiave in senso antiorario per sbloccare il tasto di apertura (vedere figura 6).

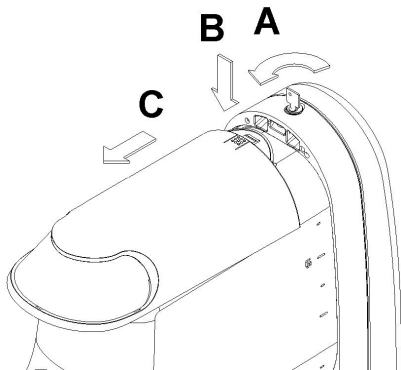


figura 6

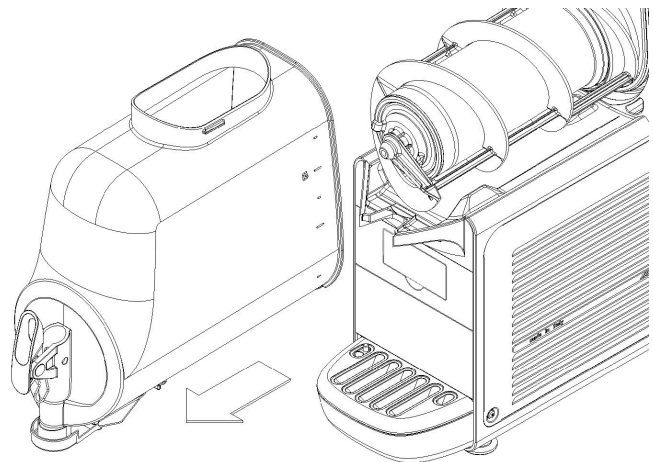


figura 8

**3** Rimuovere il mescolatore sfilandolo dal cilindro evaporatore. Quindi rimuovere il giunto esagonale (vedere figura 9).

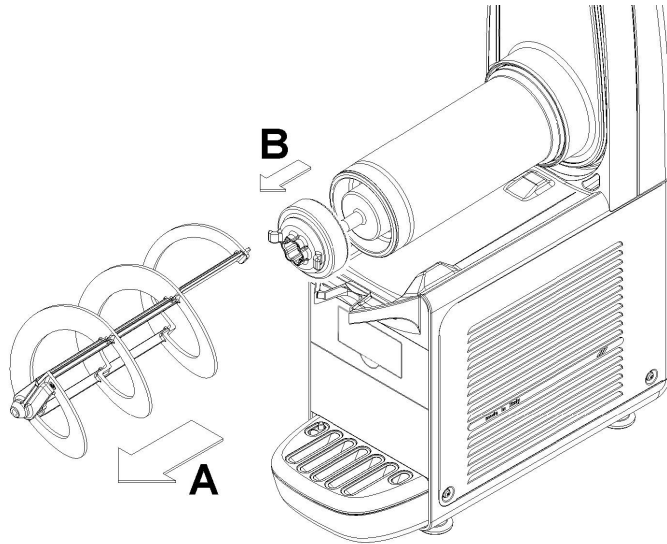


figura 9

4 Togliere la guarnizione dalla apposita sede (vedere figura 10).

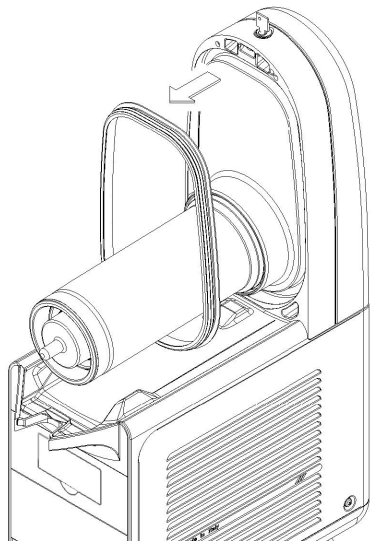


figura 10

5 Smontare il rubinetto seguendo la sequenza indicata (vedere figura 11).

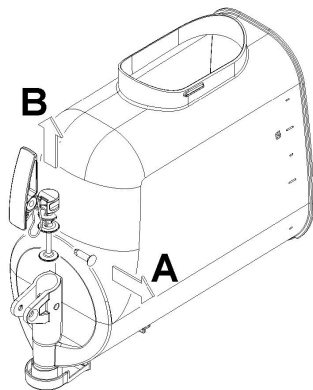


figura 11

6 Rimuovere il cassetto raccogli-gocce e svuotarlo.

7 Rimuovere dal contenitore il restrittore di flusso (vedere figura 12).

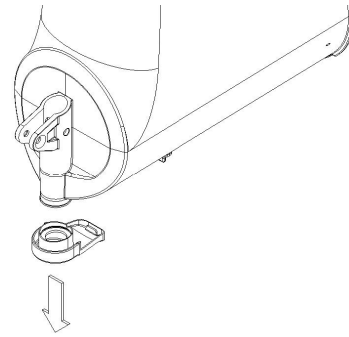


figura 12

## 8. 1. 3 LAVAGGIO



### IMPORTANTE

Non lavare alcun componente della macchina in lavastoviglie.



### ATTENZIONE

Prima di qualsiasi intervento di pulizia disconnettere sempre elettricamente il distributore estraendo la spina dalla presa o spegnendo l'interruttore esterno a parete.

1 Preparare in una bacinella circa quattro litri di acqua calda (45-60 °C) e detersivo specifico rispettando con attenzione le prescrizioni del fabbricante; una soluzione troppo concentrata può infatti causare danni alle parti da lavare, mentre una troppo diluita può non detergere a sufficienza. Non usare detersivi abrasivi.



### IMPORTANTE

Al fine di prevenire danni al distributore utilizzare solo detersivi compatibili con le parti in plastica.

2 Usare una spazzola adatta e lavare accuratamente con la soluzione detergente tutte le parti a contatto con la bevanda.



### ATTENZIONE

Durante il lavaggio del distributore non usare eccessiva quantità di acqua in vicinanza dei componenti elettrici; in caso contrario è possibile causare shock elettrici o danneggiare il distributore.

3 Lavare i cilindri evaporatori usando una spazzola con setole morbide.

4 Risciacquare tutte le parti lavate, con acqua corrente.

### 8. 1. 4 SANITIZZAZIONE DEL DISTRIBUTORE SMONTATO

La sanitizzazione deve essere eseguita immediatamente prima di mettere in funzione il distributore; evitare che questo rimanga inattivo per lungo tempo dopo la sanitizzazione.

La sanitizzazione deve essere eseguita ogni qualvolta venga rimesso in funzione il distributore con nuovo prodotto.

- 1 Prima di iniziare le procedure descritte nel seguito lavarsi le mani con un sapone antibatterico.
- 2 Preparare in una bacinella circa otto litri di soluzione di acqua calda (45-60°C) e prodotto sanitizzante approvato dalle autorità del vostro paese rispettando le specifiche del produttore. In mancanza di un prodotto sanitizzante specifico, preparare una soluzione di acqua e ipoclorito di sodio (varechina) in proporzione di 1 cucchiaino ogni 2 litri di acqua.
- 3 Immergere nella soluzione tutte le parti da sanitizzare per il tempo indicato dal fabbricante del prodotto.
- 4 Fare asciugare all'aria, su una superficie pulita, le parti sanitizzate.
- 5 Asciugare le parti esterne del distributore senza usare panni abrasivi.

### 8. 1. 5 RIMONTAGGIO

- 1 Inserire il cassetto raccogli gocce nella sua sede.
- 2 Lubrificare il pistone rubinetto, il giunto esagonale ed il mescolatore nei punti indicati in figura 13 (B-Frozen 6) o figura 14 (B-Frozen 10) utilizzando esclusivamente il grasso in dotazione con la macchina o altro grasso per uso alimentare.

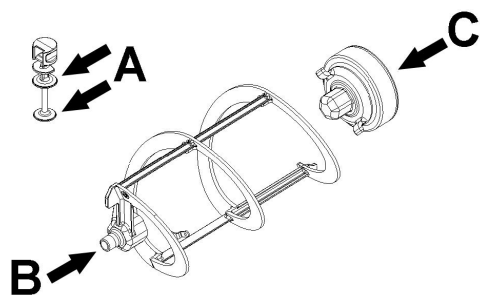


figura 13

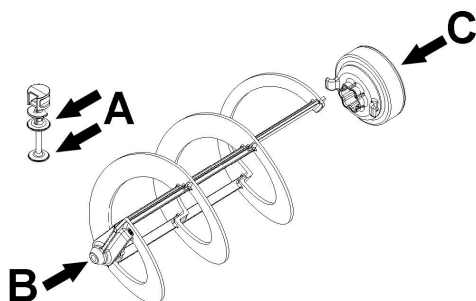


figura 14

- 3 Rimontare il rubinetto sul contenitore con sequenza inversa rispetto a quella di figura 9 e 10.

- 4 Rimontare la guarnizione del contenitore nella apposita sede.  
NOTA: la tesa di maggior diametro deve essere appoggiata alla parete posteriore (vedere figura 15).

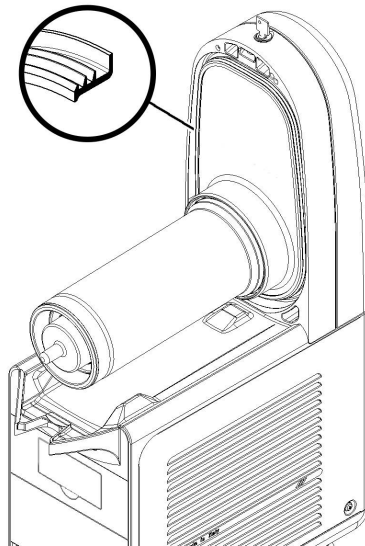


figura 15

- 5 Rimontare il giunto esagonale e quindi il mescolatore (vedere figura 16).

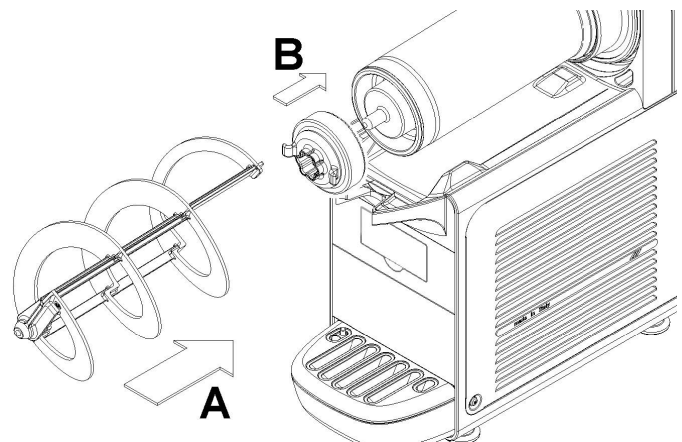
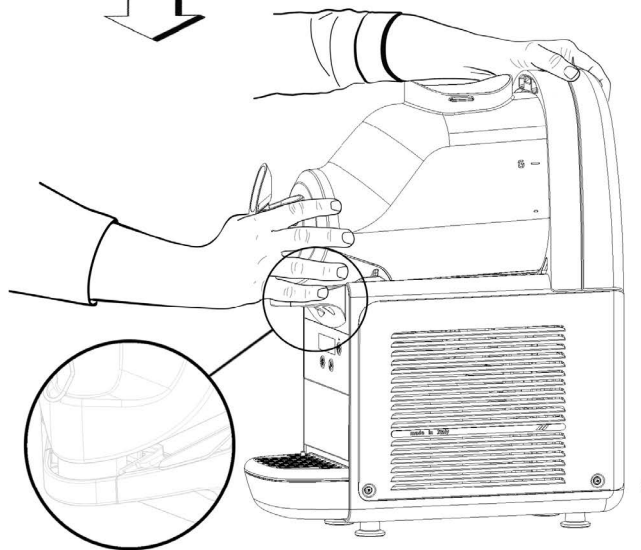
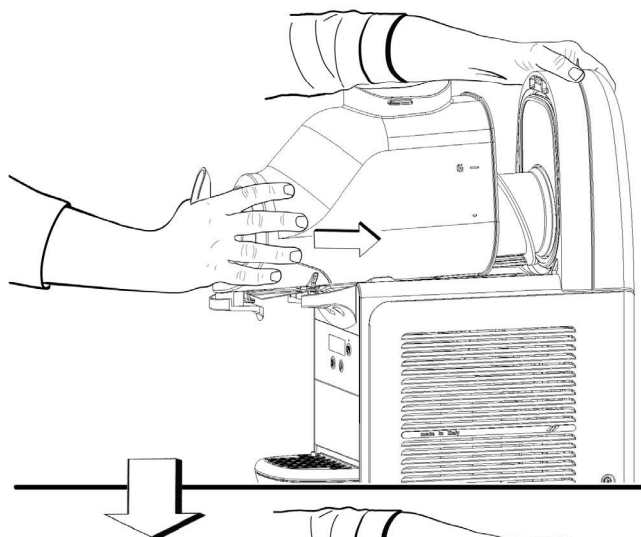


figura 16

- 6 Rimontare il contenitore spingendolo verso la parete posteriore, accertandosi che calzi correttamente sulla guarnizione. La leva di bloccaggio si abbasserà fino ad appoggiarsi al piano gocciolatoio (vedere figura 17).

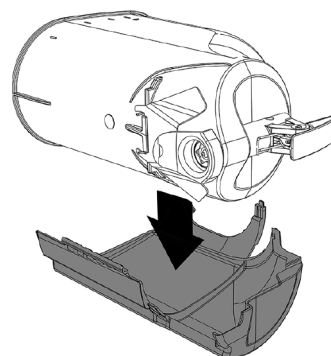


**figura 17**

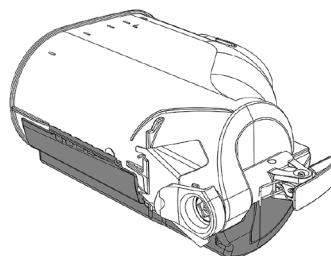
**7** Risciacquare con bevanda fresca in modo da eliminare ogni possibile residuo di soluzione sanizzante dal fondo dei contenitori. Asciugare l'interno dei contenitori con un tovagliolo di carta del tipo "usa e getta".

## **8. 1. 6 RIMONTAGGIO CIOTOLA A DOPPIA PARETE**

**1** Adagiare la parte destra del recover su un piano. Posizionare il contenitore al suo interno.(vedere figura 18)(vedere figura 19).

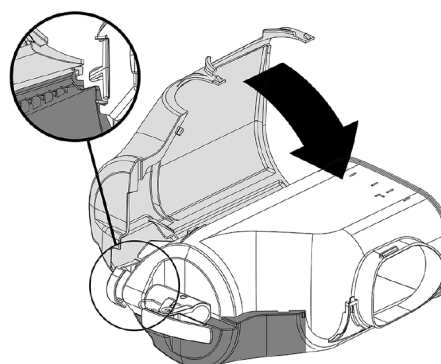


**figura 18**

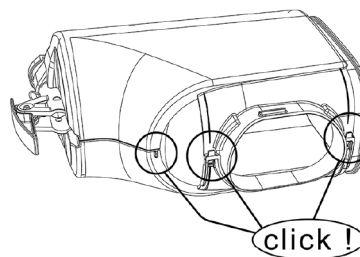


**figura 19**

**2** Posizionare la parte sinistra del recover, facendo attenzione a far combaciare l'incastro evidenziato. Chiudere ora a scatto le due parti. (vedere figura 20)(vedere figura 21).



**figura 20**



**figura 21**

## 8. 1 SANITIZZAZIONE DEL DISTRIBUTORE MONTATO

La sanitizzazione dell'apparecchio montato, precedente la sua messa in funzione, può essere eseguita, se necessario, solo come ulteriore precauzione in aggiunta alla sanitizzazione dell'apparecchio smontato descritta in precedenza ma mai in sostituzione di essa.

- 1 Preparare in una bacinella una soluzione di acqua e prodotto sanitizzante approvato dalle autorità del vostro paese rispettando le specifiche del produttore. In mancanza di un prodotto sanitizzante specifico, preparare una soluzione di acqua e ipoclorito di sodio (varechina) in proporzione di 1 cucchiaino ogni 2 litri di acqua.
- 2 Versare la soluzione nei contenitori.
- 3 Usando una spazzola adeguata strofinare la soluzione su tutte le parti al di sopra del livello della soluzione e sulla parte inferiore del coperchio.
- 4 Installare il coperchio e fare funzionare il distributore in modo da permettere alla soluzione di agitarsi per circa 2 minuti.
- 5 Rimuovere dal contenitore il restrittore di flusso (vedere figura 12).
- 6 Svuotare i contenitori dalla soluzione sanitizzante attraverso i rubinetti e poi eliminarla.
- 7 Risciacquare con bevanda fresca in modo da togliere ogni possibile residuo di soluzione sanitizzante dal fondo dei contenitori.
- 8 Non procedere ad ulteriori operazioni di risciacquo.

## 9 MANUTENZIONE

**1 Ogni giorno:** controllare il distributore e verificare che non ci siano perdite di prodotto dalle guarnizioni. Se si notano perdite, controllare prima di tutto che i componenti del distributore sia correttamente montati, quindi verificare che le guarnizioni non necessitino di lubrificazione e infine che non siano difettose o usurate, in tal caso sostituirle con ricambi originali del fabbricante.

**2 Ogni mese:** eliminare la polvere accumulata sul filtro del condensatore posto sul lato posteriore della macchina (vedere figura 25).

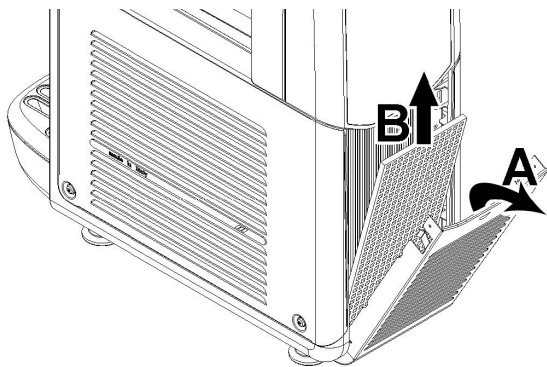


figura 25

**3** In caso di rumore anomalo, scollegare il refrigeratore e rivolgersi all'assistenza.

**4** In caso di guasto, scollegare la macchina in quanto potrebbe riavviarsi improvvisamente.

**5** Dopo qualsiasi operazione di riparazione, ricollocare ciascun componente, come ad esempio le viti e i coperchi, nella propria posizione originale.

## 9. 1 MANUTENZIONE (SOLO A CURA DEL SERVIZIO DI ASSISTENZA)



### IMPORTANTE

Al fine di prevenire danni al distributore le parti in plastica devono essere lubrificate solo con il grasso fornito dal fabbricante o con altro grasso compatibile con parti in plastica.

OGNI ANNO: Togliere tutti i pannelli e pulire l'interno della macchina compresa la base e l'interno dei pannelli.

Non rimuovere mai il materiale anticondensa posto attorno al tubo di uscita dell'evaporatore (il tubo in rame collocato a destra del motoriduttore). Se detto materiale risultasse mancante o andasse perduto, sostituire con ricambi originali del fabbricante.

## 10 GARANZIA

Per informazioni sulla garanzia, visitare [www.stoeltingfoodservice.com](http://www.stoeltingfoodservice.com).



### ATTENZIONE

Fare attenzione alle alette del condensatore in quanto taglienti.

# SBCA & SCBF

## 1 CONSIGNE DE SÉCURITÉ EN MATIÈRE ÉLECTRIQUE

**1** Avant d'effectuer le branchement électrique du distributeur, vérifier que la tension secteur est bien celle qui figure sur la plaquette signalétique. Brancher le distributeur sur un réseau monophasé en utilisant une prise munie d'un système de mise à la terre conforme aux prescriptions des normes en vigueur. En cas de déconnexion de l'appareil du réseau électrique par le biais d'un interrupteur unipolaire, cet interrupteur doit garantir une distance d'ouverture des contacts permettant la déconnexion totale dans les conditions de la catégorie de surtension III.

**2** Ne pas utiliser de rallonges pour effectuer le branchement électrique de l'appareil.

**3** Si le câble d'alimentation est endommagé, il doit être remplacé par le fabricant ou son service technique d'assistance ou, quoi qu'il en soit, par une personne en possession de compétences similaires, et ce, afin d'écarter tout risque.

**4** L'appareil n'est pas conçu pour être utilisé à l'extérieur.

**5** L'appareil doit être installé en position verticale.

**6** Avant une quelconque intervention d'entretien, débrancher systématiquement le distributeur en enlevant la fiche de la prise.

**7** Ne pas démonter les panneaux lors des opérations de nettoyage ou d'entretien avant de s'être assuré que le distributeur est bien débranché.

**8** Ne pas utiliser de jet d'eau pour effectuer le nettoyage.

**9** Cet appareil ne peut pas être utilisé par des enfants.

**10** Éviter que des enfants jouent avec l'appareil.

**11** Cet appareil ne peut pas être utilisé par des personnes dont les capacités physiques, sensorielles ou mentales sont réduites ou qui ne disposent pas de l'expérience et des connaissances suffisantes, sauf si celles-ci ont reçu l'assistance nécessaire et suivi une formation pour utiliser l'appareil en toute sécurité et qu'elles comprennent les dangers inhérents à son emploi.

**12** L'accès à la partie interne du distributeur est limité aux personnes qui disposent des connaissances et de l'expérience pratique nécessaires de l'appareil, notamment en matière de sécurité et d'hygiène.

## 2 CONSIGNE DE SÉCURITÉ EN MATIÈRE D'HYGIÈNE

**1** Cet appareil est destiné à être utilisé dans le cadre d'applications domestiques ou similaires.

**2** Pour garantir son bon fonctionnement, la température ambiante doit être comprise entre +5 et +32 °C.

**3** Utiliser l'appareil exclusivement pour refroidir les liquides indiqués.

**4** Ne pas introduire de substances ni de liquides dangereux ou toxiques à l'intérieur de l'appareil.

## 3 CARACTERISTIQUES TECHNIQUES

		SCBA118-37	SCBA128-37	SCBA168-37	SCBF118-37	SCBF128-37	SCBF168-37
Réservoirs transparents démontables	n	1	2	3	1	2	3
Capacité chaque réservoir, environ	l	6	6	6	10	10	10
<b>Dimensions:</b>							
largeur	cm	20	40	60	20	40	60
profondeur	cm	50	50	50	51	51	51
hauteur	cm	60	60	60	68	68	68
Poids net, environ	kg	26	42	57	27	45	62
Poids brut, environ	kg	28	45	61	29	48	66
Motocompresseur hermétique							
Condenseur à ventilation mécanique							
Protège-moteur							
Niveau de bruit inférieur à 70 dB (A)							



### IMPORTANT

**Caractéristiques électriques : lire les données figurant sur la plaquette signalétique de chaque distributeur située dans la partie inférieure du panneau de façade, derrière le plateau récolte-gouttes de droite. Les numéros de série des appareils (précédés du symbole #) sont gravés en dessous le châssis. Les données figurant sur la plaquette signalétique sont les seules auxquelles il faut toujours se référer.**

Nous nous réservons le droit d'apporter des modifications sans préavis.

## 4 INTRODUCTION

Il convient de lire attentivement ce livret d'instructions afin de bien maîtriser toutes les caractéristiques du produit.

Comme tous les produits mécaniques, ce distributeur nécessite lui aussi un nettoyage et un entretien. En outre, son bon fonctionnement peut être compromis par d'éventuelles erreurs commises par l'opérateur durant les opérations de démontage et de nettoyage. C'est la raison pour laquelle il est important que les procédures de démontage, lavage, désinfection et remontage, qui sont des opérations quotidiennes, soient parfaitement assimilées, sans possibilité d'erreurs, par l'utilisateur du distributeur.

## 5 INSTALLATION

1 Extraire le distributeur de l'emballage qu'il est conseillé de conserver pour toute nécessité future.



### IMPORTANT

Durant le transport ou les manœuvres de levage, ne jamais saisir le distributeur par les bacs transparents ou les cylindres d'évaporation. Le fabricant décline toute responsabilité en cas de dommages provoqués par de telles manœuvres erronées.

2 Vérifier que le distributeur n'a pas subi de dégâts durant le transport. Si tel est le cas, faire immédiatement une réclamation auprès du transporteur.

3 Poser le distributeur sur un support en mesure de soutenir son poids, y compris avec une charge complète, **en tenant compte de l'avertissement IMPORTANT mentionné au point 1 qui précède.**

4 Prévoir un espace de 15 cm au moins tout autour du distributeur pour ne pas obstruer le flux d'air de refroidissement.

5 Vérifier la stabilité de l'appareil en réglant, le cas échéant, la hauteur des pieds. Si le distributeur est livré avec un jeu de pieds en hauteur (100 mm environ), celui-ci devra alors remplacer le jeu d'origine.



### ATTENTION

**Veiller à ce que l'appareil soit correctement mis à la terre ; dans le cas contraire, il se peut que les personnes subissent des chocs électriques ou que le distributeur soit endommagé.**

6 Le distributeur n'a été ni lavé, ni désinfecté en usine. Avant toute utilisation, il convient donc de le démonter, de le laver et de le désinfecter en suivant les indications décrites au chapitre 7.4 NETTOYAGE de ce livret.



### IMPORTANT

**Placer l'appareil de manière à ce que la prise du câble d'alimentation soit aisément accessible.**

7 Si demandé par les réglementations locales en vigueur, il est possible de colleguer de façon permanent l'appareil à l'électricité, selon les normes National Electrical Code (NEC) et NFPA 70. En ce cas enlever le borne fixation cable, et si nécessaire, agrandir le trou de la base en tôle, pour consentir l'entrée du conduit.

## 6 POUR UN FONCTIONNEMENT CORRECT ET SANS DANGER

1 **Ne pas** utiliser le distributeur avant d'avoir lu ce carnet d'instructions.

2 **Ne pas** utiliser le distributeur s'il n'est pas branché correctement à la terre.

3 **Ne pas** mettre le distributeur en fonction si les panneaux ne sont pas à leur place et bloqués avec des vis.

4 **Ne pas** introduire les doigts ou des objets dans les fissures des panneaux et dans l'ouverture du robinet.

5 **Ne pas** démonter le réservoir, ni enlever les mélangeurs ou les panneaux pour le nettoyage ou l'entretien sans s'être assuré que le distributeur est débranché de l'électricité.

6 Le couvercle doit toujours être fermé.

7 **Ne pas** verser de produit alimentaire dans le distributeur à une température supérieure à 40°C.

## 7 MODE D'EMPLOI

Pour enlever le couvercle du bac, appuyer sur la touche supérieure et faire glisser le couvercle vers l'avant du bac.

Si le couvercle est équipé d'une serrure de sûreté pour sa fermeture, tourner la clé en sens antihoraire pour déverrouiller la touche d'ouverture (voir figure 6).

1 Laver et désinfecter le distributeur avant de l'utiliser en suivant les indications décrites au chapitre 7.4.3 LAVAGE.

2 Remplir les bacs avec le produit désiré, en tenant compte que celui-ci augmentera de volume durant la transformation. C'est la raison pour laquelle les bacs ne doivent pas être remplis à ras bord.

Pour la préparation des granités, considérer une augmentation du volume égale à 10 % environ.

3 En cas d'utilisation de bases liquides ou en poudre, spécialement préparées pour les granités, suivre attentivement les instructions du fabricant.

4 Si l'on utilise des ingrédients naturels pour la préparation des granités (par exemple, du jus de citron, d'orange ou du café), faire fondre 150 à 250 grammes de sucre par litre de produit.

5 Si l'on utilise des bases lyophilisées à diluer dans du lait ou de l'eau, préparer le produit dans un récipient à part, puis le verser dans les bacs de la machine, mais pas avant d'avoir vérifié qu'il est homogène et que la poudre est bien délayée.



### IMPORTANT

**Dans tous les cas de figure, le degré Brix (teneur en sucre) du mélange obtenu doit être supérieur à 13. Ne jamais utiliser la machine qu'avec de l'eau.**



### IMPORTANT

**Utiliser le distributeur uniquement avec des produits alimentaires.**

6 Agir sur les commandes (voir Chapitre 7.1 DESCRIPTION DES COMMANDES).

7 Le distributeur doit fonctionner sans interruption : le système de refroidissement de chacun des bacs s'arrête automatiquement lorsque le produit est prêt à être distribué en maintenant la densité configurée. Les dispositifs de mélange continuent à fonctionner.

8 Si vous utilisez le distributeur avec des produits à base de lait, ne l'éteignez jamais. Lorsque vous ne l'utilisez pas, activez la fonction de stockage.

# SBCA & SCBF

## 7. 1 DESCRIPTION DES COMMANDES

Le distributeur est équipé d'un interrupteur général et d'un interrupteur pour l'éclairage. Chaque réservoir est équipé d'un interrupteur permettant de mettre en marche le dispositif de mélange et sélectionner le type de refroidissement du produit. Il est en effet possible d'obtenir soit des boissons froides soit des produits glacés tels que les granitas ou sorbets.

Quand la fonction boisson est sélectionnée, la température de la boisson est réglée par le thermostat correspondant. Quand la fonction "granita" est sélectionnée, la densité du produit est réglée par la vis de réglage prévue à cet effet, située sur chacune des parois postérieures du distributeur (pour le réglage de la température et de la densité, se référer au chapitre 7.2. SUGGESTIONS).

Tous les interrupteurs sont situés sur la partie frontale du distributeur (côté robinets) et sont protégés par un volet spécial (voir figure 1).

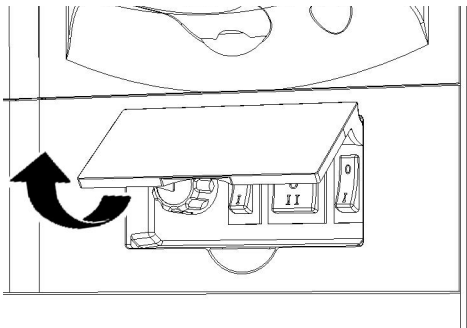
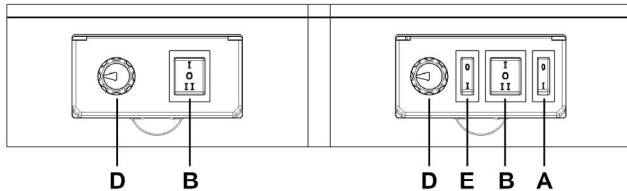


figure 1

Les fonctions des commandes du distributeur sont les suivantes:



### Interrupteur général (A)

- Position 0 : le distributeur est éteint.
- Position I : le distributeur est autorisé à fonctionner. Ventilateur en marche (réservoirs 2.3 uniquement).

### Interrupteur d'éclairage (E) (si présent)

- Position 0 : Les lampes des couvercles sont éteintes.
- Position I : Les lampes des couvercles sont allumées.

### Interrupteurs mélangeurs et réfrigération (B)

- Position I : Mélangeurs et réfrigération en marche. Position BOISSON.
- Position O : Mélangeurs et réfrigération éteints.
- Position II : mélangeurs et réfrigération en marche. Position "GRANITA".

### Thermostat (D)

- Rotation de gauche à droite : boisson plus froide.
- Rotation de droite à gauche : boisson moins froide.

Pour le fonctionnement du distributeur:

- 1 Placer l'interrupteur général en position I.
- 2 Placer l'interrupteur général en position I.
  - en position I, si l'on désire refroidir le produit sans le glacer
  - en position I, si l'on désire refroidir le produit sans le glacer
- 3 Placer l'interrupteur d'éclairage en position "I" pour allumer les lumières.

## 8 SUGGESTIONS

**1 Réglage de la densité:** la densité optimale de la granita a été réglée en usine. Si l'on désire modifier cette densité, tourner avec un tournevis la vis de régulation densité située dans chacune des parois postérieures du distributeur (voir figure 2):

- vers la droite (sens des aiguilles d'une montre) pour obtenir une granita plus dense (le repère F dans le regard G se déplacera vers le bas);
- vers la gauche (sens inverse des aiguilles d'une montre) pour obtenir une granita moins dense (le repère F dans le regard G se déplacera vers le haut).

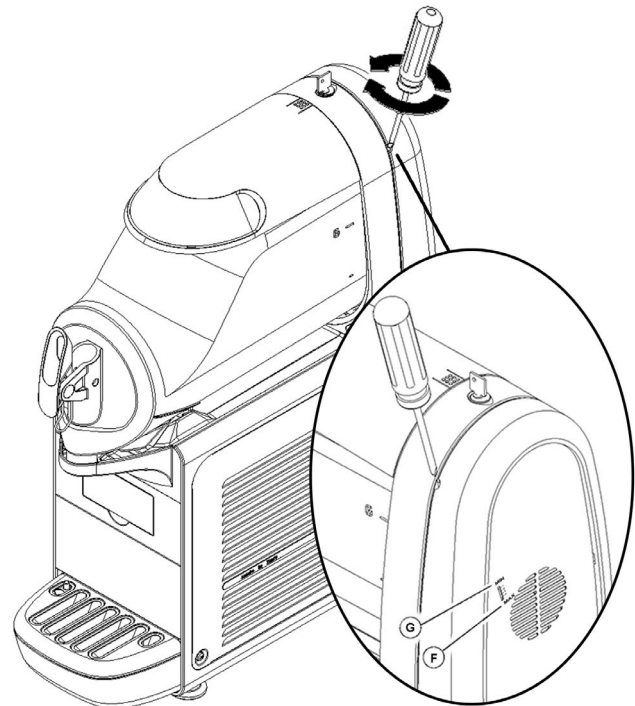


figure 2

**2 Réglage de la température:** la température optimale de la boisson (pour le fonctionnement du distributeur comme réfrigérateur de boissons au lieu de distributeur de granita) est réglée en usine. Si l'on désire modifier cette température, il faut tourner la poignée située dans chaque boîte porte-interrupteurs:

- vers la droite (sens des aiguilles d'une montre) pour obtenir une boisson plus froide;
- vers la gauche (sens inverse des aiguilles d'une montre) pour obtenir une boisson moins froide.

**Remarque: Le réglage de la température de la boisson ne produit un effet que quand l'interrupteur mélangeurs et réfrigération est en position Boisson.**

**3** Le temps nécessaire pour obtenir la réfrigération du produit varie en fonction de différents facteurs comme par exemple la température ambiante, la température initiale du produit, le sucre contenu (degré Brix) et le réglage de la densité.

**4** L'efficacité du distributeur peut être augmentée en versant dans les réservoirs du produit pré-raffroidi.

**5** Pour diminuer encore les temps de refroidissement et augmenter ainsi l'autonomie du distributeur, rajouter du produit dans les réservoirs quand le niveau est descendu à la moitié.

**6** Pour garantir une bonne conservation du produit, le distributeur doit fonctionner également pendant la nuit, au moins en position Boisson. Si cela n'est pas possible et les produits restent dans les réservoirs alors que le distributeur est éteint, il est conseillé de placer les interrupteurs mélangeurs et réfrigération en position I une heure avant d'éteindre l'appareil afin d'éviter la formation de blocs de glace ou de croûtes de glaces. Ceux-ci risqueraient en effet d'endommager les dispositifs mélangeurs. Si des blocs de glace devaient tout de même se former, ils devront toujours être enlevés avant que l'appareil ne soit remis en marche. Le fonctionnement nocturne en position Boisson élimine également le risque que de la glace se forme (à cause de la condensation de l'humidité atmosphérique) à l'extérieur des réservoirs.

**7** Ne jamais arrêter les mélangeurs quand il y a de la granita dans les réservoirs; si celui-ci n'est pas mélangé, il risque de former un unique bloc de glace. Si l'on fait repartir les mélangeurs dans ces conditions (sans attendre que la glace fonde), ils pourraient s'endommager.

**8** Le distributeur est équipé d'un joint magnétique pour la transmission du mouvement aux mélangeurs. Afin d'éviter que l'appareil ne soit endommagé en cas de blocage des mélangeurs à cause de blocs de glace ou autre à l'intérieur du réservoir, le joint magnétique interrompt automatiquement la transmission du mouvement. Cette situation est reconnaissable car, en plus du blocage des mélangeurs, un bruit intermittent est émis par l'appareil. Il faut, dans ce cas, arrêter immédiatement le distributeur, vider le réservoir concerné et éliminer la cause du blocage.

**9** Chaque distributeur de ce genre doit émettre de la chaleur. Cependant, si cette émission semble excessive, il faut contrôler qu'aucune source de chaleur ne se trouve près du distributeur et, en particulier, près des panneaux munis de grilles. S'assurer également que le passage du flux d'air ne soit pas empêché par la proximité de murs, boîtes ou autres. Laisser au moins 15 cm d'espace libre autour du distributeur.

**10** Ce produit ne peut être utilisé qu'avec des confiseries.

## 8. 1 NETTOYAGE

**1** Le nettoyage et le lavage sont fondamentaux pour garantir la parfaite conservation du goût de la boisson et l'efficacité maximale de votre distributeur. Les procédures décrites ci-après doivent être considérées comme étant de caractère général et elles peuvent varier en fonction de la réglementation sanitaire en vigueur.

**2** Avant d'être démonté pour le lavage, le distributeur doit être vidé du produit. Procéder de la manière suivante:

- placer l'interrupteur général en position I
- placer les interrupteurs mélangeurs/réfrigération en position I
- positionner un récipient sous chaque robinet et vider les réservoirs
- placer tous les interrupteurs en position 0

### 8. 1. 1 DEMONTAGE DU BOL À DOUBLE PAROI

**1** Ouvrir les deux parties en les faisant cliquer. (voir figure 3).

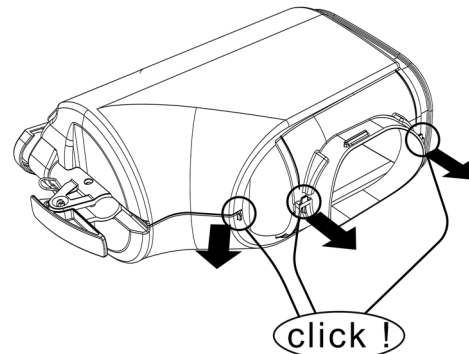


figure 3

**2** Retirer la partie gauche du couvercle enveloppant puis la partie droite. (voir figure 4)(voir figure 5).

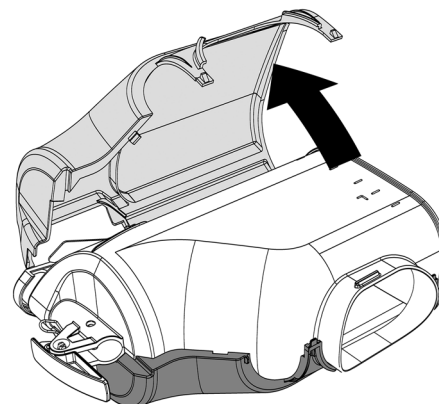


figure 4

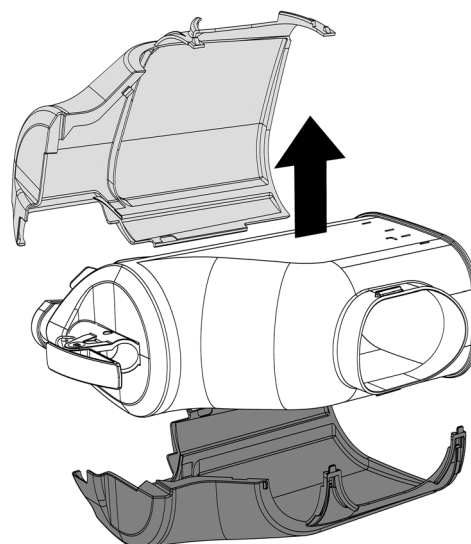


figure 5

# SBCA & SCBF

## 8. 1. 2 DEMONTAGE



### ATTENTION

Avant de procéder au démontage des composants, couper systématiquement le courant qui alimente l'appareil en débranchant la fiche de la prise.

**1** Pour enlever le couvercle du bac, appuyer sur la touche supérieure et faire glisser le couvercle vers l'avant du bac. Si le couvercle est équipé d'une serrure de sûreté pour sa fermeture, tourner la clé en sens antihoraire pour déverrouiller la touche d'ouverture (voir figure 6)

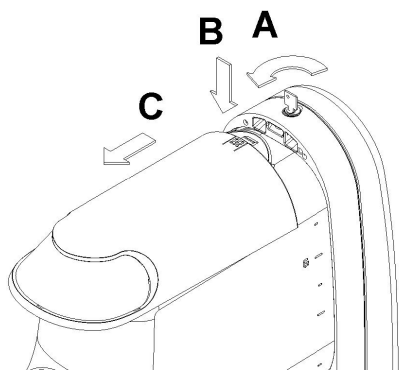


figure 6

**2** Pour démonter le bac, pousser le levier prévu à cet effet (voir ) vers le haut, puis extraire le bac (voir figure 8).

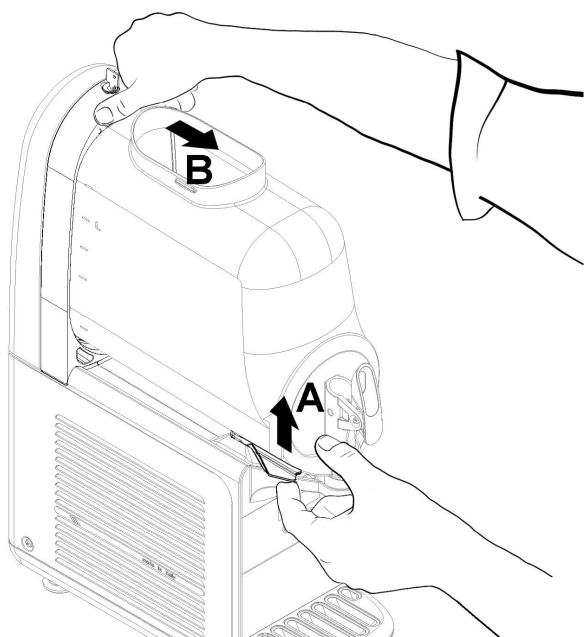


figure 7

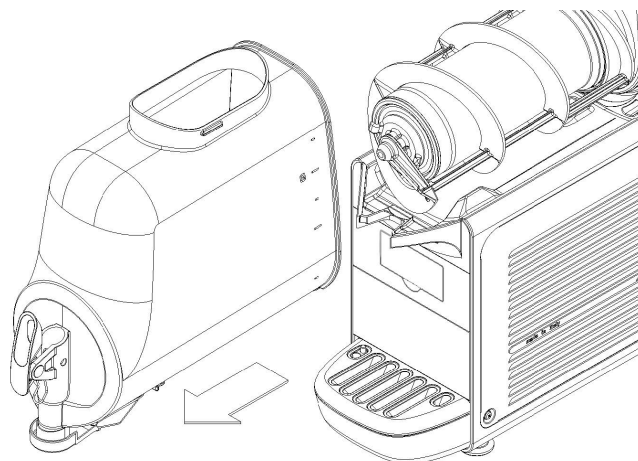


figure 8

**3** Ôter le mélangeur en l'extrayant du cylindre d'évaporation. Enlever ensuite le joint hexagonal (voir figure 9).

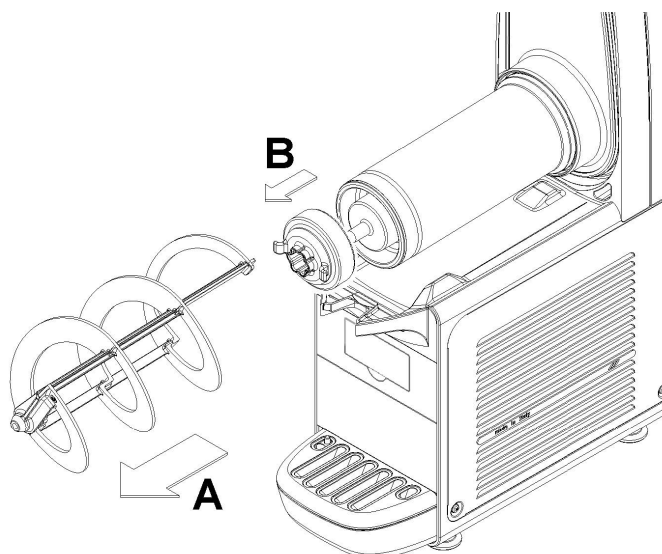
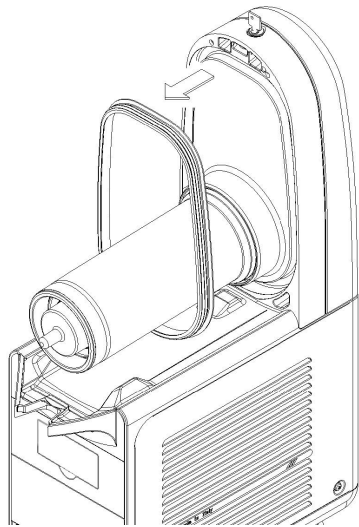


figure 9

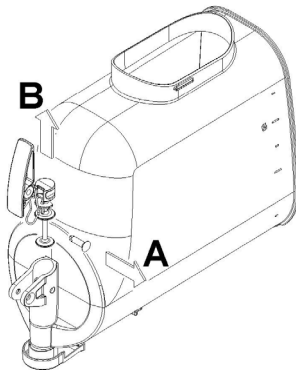
**4** Ôter la garniture de son logement (voir figure 10).

**8. 1. 3 LAVAGE**



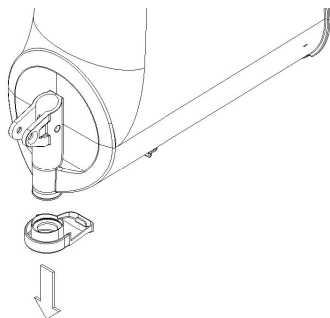
**figure 10**

**5** Démontez le robinet en suivant la séquence indiquée (voir figure 11).



**figure 11**

- 6** Ôter le plateau récolte-gouttes et le vider.
- 7** Enlever le réducteur de débit du bac (voir figure 12).



**figure 12**



**IMPORTANT**

Ne pas laver les composants de la machine dans le lave-vaisselle.



**ATTENTION**

Avant une quelconque intervention de nettoyage, débrancher systématiquement le distributeur en enlevant la fiche de la prise ou en éteignant l'interrupteur mural extérieur.

**1** Préparer environ quatre litres d'eau chaude (45-60 °C) et de détergent spécifique dans une bassine en respectant scrupuleusement les prescriptions du fabricant ; une solution trop concentrée peut en effet occasionner des dommages aux pièces à laver, alors qu'une solution trop diluée peut ne pas nettoyer suffisamment. Ne pas utiliser de détergents abrasifs.



**IMPORTANT**

Afin de prévenir toute détérioration du distributeur, utiliser uniquement des détergents compatibles avec les pièces en plastique.

**2** Utiliser une brosse adaptée et laver soigneusement avec la solution détergente toutes les pièces en contact avec la boisson.



**ATTENTION**

Pendant le lavage du distributeur, ne pas utiliser de trop grandes quantités d'eau à proximité des composants électriques ; dans le cas contraire, des chocs électriques peuvent se produire ou le distributeur peut être endommagé.

**3** Laver les cylindres d'évaporation à l'aide d'une brosse en soie souple.

**4** Rincer toutes les pièces lavées à l'eau du robinet.

**8. 1. 4 DESINFECTIION DU DISTRIBUTEUR DEMONTE**

La désinfection doit être effectuée tout de suite avant de mettre le distributeur en marche ; éviter qu'il ne reste trop longtemps inactif après la désinfection.

La désinfection doit être effectuée chaque fois que le distributeur est remis en service avec un nouveau produit.

**1** Avant de commencer les procédures décrites ci-après, se laver les mains avec un savon antibactérien.

**2** Verser environ huit litres d'eau chaude (45-60 °C) et de désinfectant agréé par les autorités sanitaires locales dans une bassine en respectant les spécifications du fabricant. En l'absence d'un produit désinfectant spécifique, préparer un mélange d'eau et d'hypochlorite de sodium (eau de javel) à raison d'1 cuillère pour 2 litres d'eau.

## SBCA & SCBF

3 Faire tremper toutes les pièces à désinfecter dans la solution pendant la durée indiquée par le fabricant du produit.

4 Poser les pièces désinfectées sur une surface propre et laisser sécher à l'air.

5 Sécher les parties extérieures du distributeur sans utiliser de chiffons abrasifs.

### 8. 1. 5 REMONTAGE DU BOL À DOUBLE PAROI

1 Poser la partie droite du couvercle enveloppant sur un plan. Placer le récipient à l'intérieur. (voir figure 13)(voir figure 14).

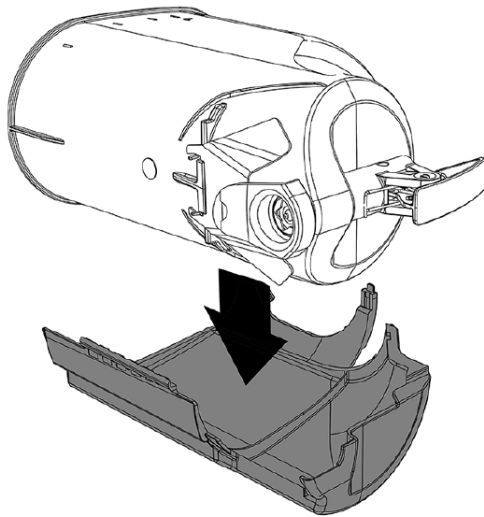


figure 13

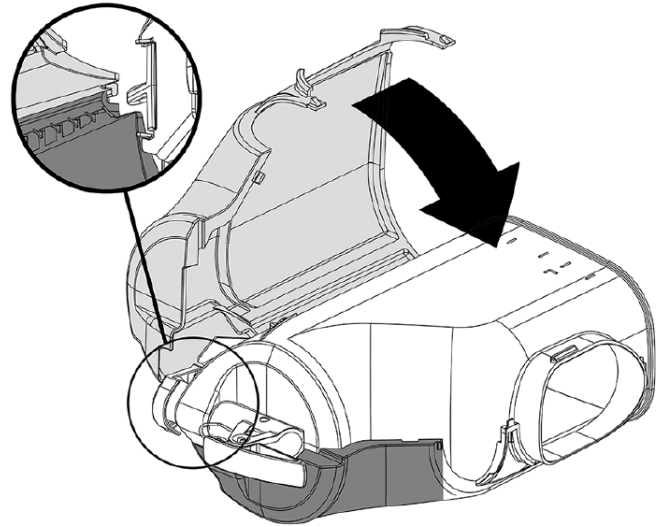


figure 15

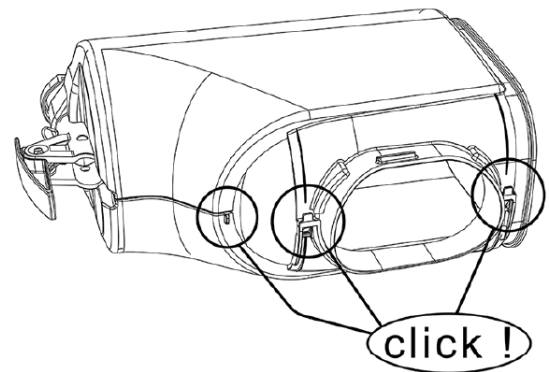


figure 16

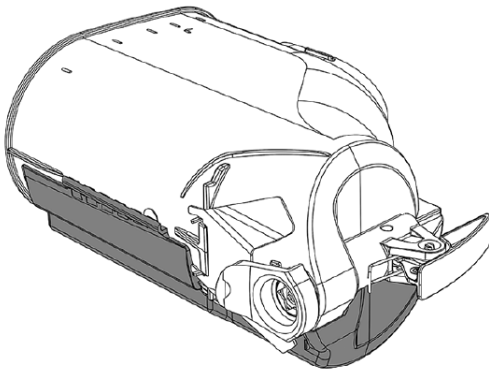


figure 14

2 Placer la partie gauche du couvercle enveloppant en veillant à bien faire correspondre l'emboîtement indiqué. Fermer maintenant en faisant cliquer les deux parties. (voir figure 15)(voir figure 16).

### 8. 1. 6 REMONTAGE

1 Introduire le plateau récolte-gouttes dans son logement.

2 Lubrifier le piston du robinet, le joint hexagonal et le mélangeur aux points indiqués dans la (voir ) (B-Frozen 6) o (voir figure 17) (B-Frozen 10). Utiliser uniquement la graisse fournie avec la machine ou une autre **graisse prévue pour un usage alimentaire**.

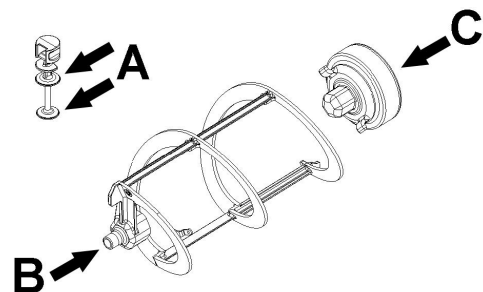
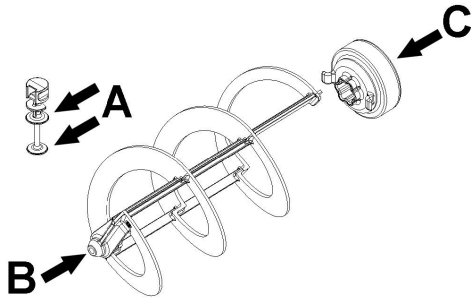


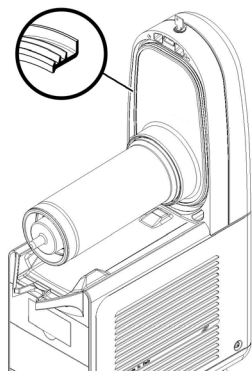
figure 17



**figure 18**

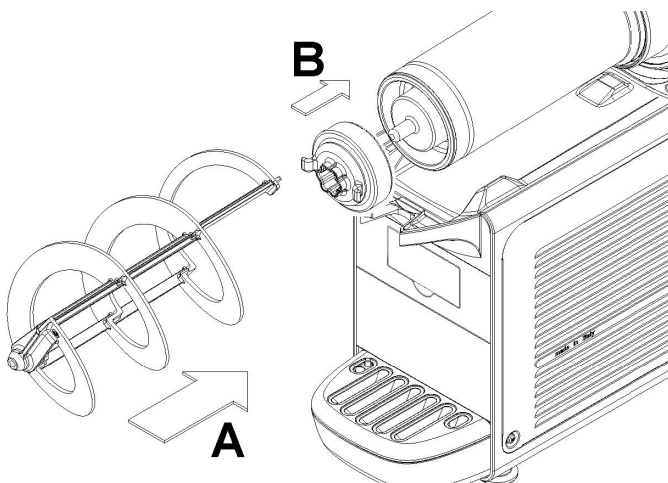
**3** Remettre le robinet en place sur le bac en effectuant les opérations de la (voir ) (voir figure 18) en sens inverse.

**4** Remonter la garniture du conteneur dans le logement correspondant.  
REMARQUE : le bord qui présente le plus grand diamètre doit s'appuyer sur la cloison arrière (voir figure 19).



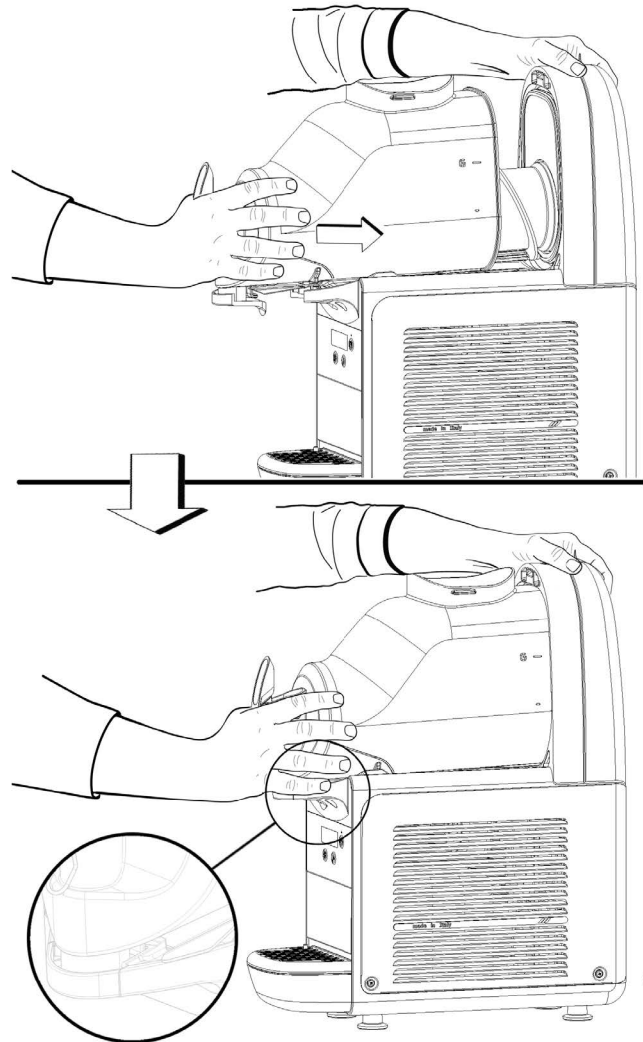
**figure 19**

**5** Remonter le joint hexagonal, suivi du mélangeur (voir figure 20).



**figure 20**

**6** Remonter le bac en le poussant vers la cloison arrière et en vérifiant qu'il s'emboîte bien dans la garniture. Le levier de blocage doit s'abaisser jusqu'à ce qu'il repose sur le plateau récolte-gouttes (voir figure 21).



**figure 21**

**7** Rincer avec une boisson fraîche de façon à éliminer d'éventuels résidus de solution désinfectante qui auraient pu se déposer sur le fond des bacs. Sécher l'intérieur des bacs avec un essuie-tout jetable.

## **8. 2 DESINFECTION DU DISTRIBUTEUR MONTE**

La désinfection de l'appareil monté, avant sa mise en service, peut être effectuée si besoin est ; il s'agit uniquement d'une mesure de précaution supplémentaire qui vient s'ajouter à la désinfection de l'appareil démonté décrite au point précédent, mais qui ne la remplace nullement.

**1** Préparer un mélange d'eau chaude et de désinfectant agréé par les autorités sanitaires locales dans une bassine en respectant les spécifications du fabricant. En l'absence d'un produit désinfectant spécifique, préparer un mélange d'eau et d'hypochlorite de sodium (eau de javel) à raison d'1 cuillère pour 2 litres d'eau.

**2** Verser la solution dans les bacs.

## SBCA & SCBF

- 3 À l'aide d'une brosse appropriée, étaler la solution sur toutes les pièces au dessus du niveau de la solution ainsi que sur la partie inférieure du couvercle.
- 4 Monter le couvercle et mettre le distributeur en marche de façon à agiter la solution pendant 2 minutes environ.
- 5 Enlever le réducteur de débit du bac (voir figure 12).
- 6 Vider la solution désinfectante des bacs en ouvrant les robinets et l'éliminer.
- 7 Rincer avec une boisson fraîche de façon à éliminer d'éventuels résidus de solution désinfectante qui auraient pu se déposer sur le fond des bacs.
- 8 Ne pas rincer ultérieurement.

### 9 ENTRETIEN

**1 Tous les jours** : inspecter le distributeur et s'assurer que les garnitures ne fuient pas et ne laissent pas le produit s'échapper. Si l'on note la présence de fuites, commencer par vérifier que les composants du distributeur sont correctement montés, puis s'assurer que les garnitures n'ont pas besoin d'être lubrifiées et qu'elles ne sont ni défectueuses ni usées ; dans le cas contraire, remplacer par des pièces de rechange d'origine fournies par le fabricant.

**2 Tous les mois** : ôter la poussière qui s'est accumulée sur le filtre du condensateur situé sur le panneau arrière de la machine (voir ).

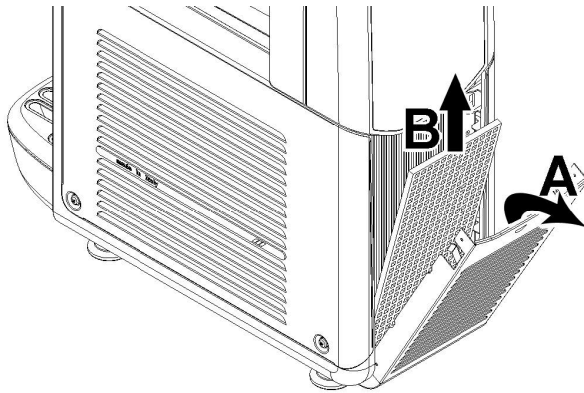


figure 22



### ATTENTION

Prendre garde au tranchant des ailettes du condensateur.

- 3 Si l'appareil est bruyant, débrancher le refroidisseur est contacter le Service après-vente.
- 4 En cas de panne, débrancher la machine étant donné qu'elle peut redémarrer de manière inopinée.
- 5 Remettre tous les composants, comme les vis et les couvercles, dans leur position initiale après réparation.

### 9. 1 ENTRETIEN (A EFFECTUER UNIQUEMENT PAR LE SERVICE D'ASSISTANCE)



### IMPORTANT

Afin de prévenir l'endommagement du distributeur, les pièces en plastique doivent être uniquement lubrifiées avec la graisse fournie par le fabricant ou avec une graisse adaptée aux pièces en plastique.

**TOUS LES ANS** : Enlever tous les panneaux et nettoyer l'intérieur de la machine, y compris l'embase et l'intérieur des panneaux.

Ne jamais ôter le dispositif anti-condensation placé autour du tuyau d'évacuation de l'évaporateur (le tuyau en cuivre situé à droite du motoréducteur). En cas d'absence ou de perte du dispositif, le remplacer par des pièces de rechange d'origine fournies par le fabricant.

### 10 GARANTIE

Pour plus d'informations sur la garantie, visitez [www.stoeltingfoodservice.com](http://www.stoeltingfoodservice.com).



# SBCA & SCBF

## 1 ANWEISUNGEN ZUR ELEKTRISCHEN SICHERHEIT

- 1 Bevor Sie den Dispenser an den Strom anschließen, stellen Sie sicher, dass die Netzspannung der auf dem Schild angegebenen entspricht. Schließen Sie den Dispenser an ein Einphasen-Netz an. Verwenden Sie dazu eine nach den geltenden Normen geerdete Steckdose. Falls die Trennung des Geräts vom Stromnetz mit einem einpoligen Schalter erfolgt, muss dieser Schalter einen Öffnungsabstand der Kontakte gewährleisten, der die komplette Abschaltung unter den Bedingungen der Überspannungskategorie III ermöglicht.
- 2 Keine Verlängerungen verwenden, um das Gerät an den Strom anzuschließen.
- 3 Wenn das Stromkabel beschädigt ist, muss es vom Hersteller oder seinem technischen Kundendienst bzw. auf jeden Fall von einer ähnlich qualifizierten Person ersetzt werden, so dass jedem Risiko vorgebeugt wird.
- 4 Das Gerät ist nicht für den Gebrauch im Freien geeignet.
- 5 Das Gerät muss senkrecht installiert werden.
- 6 Vor jeglicher Reinigungsarbeit den Dispenser stets vom Stromnetz trennen, indem man den Stecker aus der Steckdose zieht.
- 7 Die Paneele nicht für die Reinigung oder Wartung abnehmen ohne sichergestellt zu haben, dass der Dispenser vom Stromnetz getrennt ist.
- 8 Zur Reinigung keinen Wasserstrahl verwenden.
- 9 Dieses Gerät darf nicht von Kindern benutzt werden.
- 10 Kinder nicht mit dem Gerät spielen lassen.
- 11 Dieses Gerät darf nicht von Personen mit eingeschränkten körperlichen, sensorischen oder geistigen Fähigkeiten bzw. von Personen ohne Erfahrungen und Kenntnisse verwendet werden, außer diese wurden zur sicheren Verwendung des Geräts angeleitet und ausgebildet und verstehen die davon ausgehenden Gefahren.
- 12 Der Zugang zum Inneren des Dispensers ist Personen vorbehalten, die das Gerät kennen und praktische Erfahrung damit haben, vor allem wenn es sich um Sicherheit und Hygiene handelt.

## 2 ANWEISUNGEN ZUR HYGIENISCHEN SICHERHEIT

- 1 Dieses Gerät ist für Hausinstallationen und ähnliche Anwendungen bestimmt.
- 2 Für seinen korrekten Betrieb muss die Umgebungstemperatur zwischen +5° und +32 °C liegen.
- 3 Das Gerät ausschließlich zum Kühlen der angegebenen Flüssigkeiten verwenden.
- 4 Keine gefährlichen oder giftigen Substanzen oder Flüssigkeiten in das Gerät geben.

## 3 TECHNISCHE DATEN

		SCBA118-37	SCBA128-37	SCBA168-37	SCBF118-37	SCBF128-37	SCBF168-37
Abnehmbare Klarsicht-Behälter	stück	1	2	3	1	2	3
Fassungsvermögen Einzelbehälter, ungefähr	l	6	6	6	10	10	10
<b>Abmessungen:</b>							
Breite	cm	20	40	60	20	40	60
Tiefe	cm	50	50	50	51	51	51
Höhe	cm	60	60	60	68	68	68
Nettogewicht, ca	kg	26	42	57	27	45	62
Bruttogewicht, ca	kg	28	45	61	29	48	66
Hermetisches Kompressoraggregat							
Kondensator mit Zwangsbelüftung							
Motorschutzschalter							
Geräuschpegel unter 70 db (A)							



### WICHTIG

**Elektrische Daten: Alle technischen Daten entnehmen Sie dem Typenschild, was sich hinter der rechten Trofischale befindet. Die Maschinenummer der Apparate (denen das Symbol # voransteht) befindet sich in der unter Bedienerklappe. Die auf dem Typenschild angegebenen Daten sind die Richtwerte.**

Wir behalten uns das Recht vor, das vorliegende Handbuch ohne Vorbescheid zu verändern.

## 4 EINFÜHRUNG

Dieses Handbuch sorgfältig lesen, um sich über alle Eigenschaften des Dispensers zu informieren.

Wie bei allen mechanischen Geräten sind Reinigung und Pflege geboten. Der fachgerechte Betrieb kann außerdem durch eventuelle Fehler des Bedieners beim Zerlegen oder beim Reinigen beeinträchtigt werden. Aus diesem Grund ist es wichtig, dass das Bedienerpersonal die Vorgehensweisen des Zerlegens, Waschens, Desinfizierens und des Zusammensetzens, die täglich durchgeführt werden müssen, fehlerfrei ausführen kann.

## 5 INSTALLATION

1 Den Dispenser von der Verpackung befreien und diese für einen eventuellen zukünftigen Gebrauch aufbewahren.



### WICHTIG

Beim Transport oder beim Anheben des Dispensers, darf dieser nie an den durchsichtigen Behältern oder den zylinderförmigen Verdampfern angefasst werden. Der Hersteller haftet nicht für Schäden, die durch fehlerhafte Handhabung verursacht wurden.

2 Kontrollieren, dass der Dispenser keine Transportschäden davongetragen hat. Falls dies der Fall sein sollte, unverzüglich beim Spediteur reklamieren.

3 Den Dispenser auf eine feste Unterlage stellen, die dem Gewicht auch bei voller Ladung standhält und auf alles achten, was in Absatz 1 unter WICHTIG aufgelistet ist.

4 Mindestens 15 cm Platz rund um den Dispenser lassen, um den Luftfluss der Kühlung nicht zu beeinträchtigen.

5 Die Stabilität des Gerätes kontrollieren und eventuell die Höhe der Füßchen verstellen. Falls der Dispenser mit hohen Füßchen (ca. 100 mm) bestellt wurde, müssen diese anstatt der Originalfüßchen montiert werden.



### ACHTUNG

Sicherstellen, dass das Gerät korrekt an die Erdung angeschlossen ist, um der Gefahr vorzubeugen, dass Personen einen Stromschlag bekommen oder der Dispenser beschädigt wird.

6 Der Dispenser wurde im Werk nicht vorgewaschen oder desinfiziert. Vor dem Gebrauch muss er zerlegt, gewaschen und desinfiziert werden, dabei die Vorgehensweise unter Absatz 7.3 REINIGUNG befolgen.



### WICHTIG

Das Gerät so aufstellen, dass die Stecker der Stromkabel leicht zugänglich sind.

7 Falls von den örtlichen Vorschriften erfordert, es ist möglich das Geraet in eine dauerhafte Verbindung zu bearbeiten, mit Verweis auf NEC und NFPA70. In diesem Fall, den Kabelklemmblock entfernen und, falls noetig, das Loch auf dem Blech vergroessern, um den Conduiteingang zu ermöglichen.

## 6 FÜR EINEN SICHEREN UND ORDNUNGSGEMÄßEN BETRIEB

1 Den Dispenser **nicht** verwenden, bevor diese Gebrauchsanleitung gelesen wurde.

2 Den Dispenser **nicht** verwenden, wenn er **nicht** korrekt geerdet ist.

3 Den Dispenser **nicht** in Betrieb nehmen, wenn die Abdeckungen nicht angebracht und mit Schrauben befestigt sind.

4 Weder die Finger noch Gegenstände in die Schlitze der Wände oder in die Öffnung des Hahns stecken.

5 Zur Durchführung von Reinigungs-oder Wartungsmaßnahmen, den Behälter **nicht** abmontieren, Schnecken oder Wände **nicht** entfernen, bevor die Stromversorgung des Geräts unterbrochen wurde.

6 Die Abdeckung muss stets geschlossen sein.

7 Schütten Sie keine Lebensmittel mit einer Temperatur von mehr als 40 °C in den Spender.

## 7 BEDIENUNGSANLEITUNG.

Zum Entfernen des Deckels des Behälters, die obere Taste drücken und den Deckel nach vorne gleiten lassen.

Falls sich ein Sicherheitsverschluss am Deckel befindet, den Schlüssel gegen den Uhrzeigersinn drehen, um die Taste freizugeben, die zum Öffnen benutzt wird (siehe Bild 2).

1 Den Dispenser von dem Gebrauch Waschen und Desinfizieren,dabei die Vorgehensweise unter Absatz 7.3 REINIGUNG befolgen.

2 Das gewünschte Produkt in den Behälter füllen und dabei berücksichtigen, dass das Volumen bei der Verarbeitung zunimmt. Aus diesem Grund darf der Behälter nicht bis zum maximalen Inhalt gefüllt werden.

Bei der Herstellung von Granita ist eine Volumenzunahme von 10% zu berücksichtigen.

3 Falls vorgefertigte flüssige oder pulverförmige Eis- oder Granitamischungen, die Anweisungen des Herstellers genaustens beachten.

4 Falls natürliche Zutaten für die Herstellung der Granita verwendet werden, (z.B. Zitronen- oder Orangensaft oder Kaffee), kommen 150-200 gr. Invertzucker auf jeden Liter Flüssigkeit.

5 Falls gefriergetrocknete Produkte verwendet werden, die mit Milch oder Wasser angerührt werden müssen, das Produkt in einem separaten Behälter vorbereiten und erst in den Dispenser einfüllen, nachdem sichergestellt ist, dass die Masse homogen ist und sich das Pulver gut aufgelöst hat.



### WICHTIG

In jedem Fall müssen die vorgefertigten Produkte einen Brix-Grad (Maßeinheit zur Bestimmung des Zuckergehaltes) von über 13 besitzen.

Das Gerät nie nur mit Wasser benutzen werden.



### WICHTIG

Den Dispenser nur für Nahrungsmittel verwenden.

6 Funktion der Tasten (siehe Absatz 7.1 BESCHREIBUNG DER TASTEN).

7 Der Dispenser funktioniert im Dauerbetrieb: Das Kühlsystem jedes Behälters stoppt automatisch, wenn das Produkt fertiggestellt ist und die eingestellte Konsistenz erreicht wurde. Der Rührvorgang bleibt weiterhin in Betrieb.

8 Wenn Sie den Spender mit Produkten auf Milchbasis verwenden, schalten Sie ihn niemals aus. Bei Nichtgebrauch die Speicherfunktion aktivieren.

## 7. 1 BESCHREIBUNG DER BETRIEBSSCHALTER

Der Dispenser ist mit einem Hauptschalter und mit einem Lichtschalter versehen. Zudem ist jeder Behälter mit einem Schalter zum Einschalten des Mischens und zur Wahl der Art der Kühlung des Produkts ausgerüstet. Dementsprechend können sowohl kalte Getränke oder Eisprodukte wie Granita oder Sorbetto erhalten werden.

Wurde die Funktion "Getränk" gewählt, wird die Temperatur des Getränks von dem entsprechenden Thermostat geregelt. Wenn hingegen die Funktion "Granita" gewählt wurde, wird die Konsistenz des Produkts mit der dazu vorgesehenen Stellschraube geregelt, die in jeder Rückwand des Dispensers vorgesehen ist (für die Einstellung der Temperatur und Konsistenz, auf das Kapitel 7.2 NÜTZLICHE HINWEISE Bezug nehmen).

Alle Schalter sind an der Vorderwand des Dispensers angebracht (Hähne-Seite) und durch eine geeignete Schalterabdeckung geschützt (Bild 1).

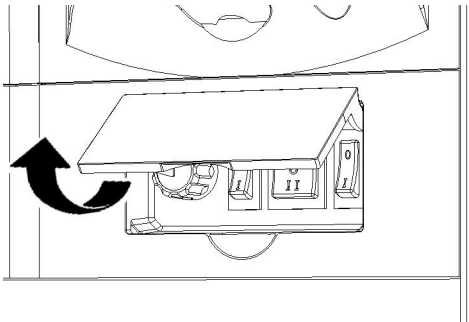
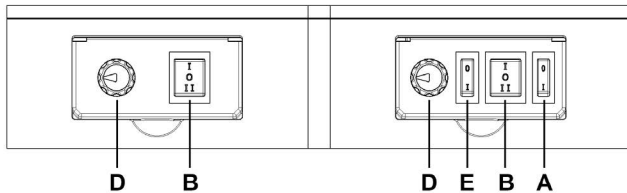


Bild 1

Der folgende Abschnitt beschreibt die Funktionen der Betriebsschalter des Dispensers:



### Hauptschalter (A)

- Stellung 0 : Dispenser ausgeschaltet.
- Stellung I : Dispenser betriebsbereit. Lüfter läuft.

### Lichtschalter (E) (falls vorhanden)

- Stellung 0 : Deckelbeleuchtung ausgeschaltet.
- Stellung I : Deckelbeleuchtung eingeschaltet.

### Schnecken- und Kühlaggregatschalter (B)

- Stellung I : Schnecken und Kühlung in Betrieb. Stellung GETRÄNK.
- Stellung 0 : Schnecken und Kühlung ausgeschaltet.
- Stellung II : Schnecken und Kühlung in Betrieb. Stellung GRANITA.

### Thermostat (D)

- Drehung im Uhrzeigersinn : Getränk kälter.
- Drehung gegen den Uhrzeigersinn : Getränk weniger kalt.

Inbetriebnahme des Dispensers:

- 1 Den Hauptschalter auf Stellung I stellen.
- 2 Die Schnecken- und Kühlaggregatschalter wie folgt einstellen:
  - auf Stellung I, wenn das Produkt gekühlt werden soll, ohne es zu frieren.
  - auf Stellung II, wenn Granita erhalten gewünscht wird.
- 3 Den Lichtschalter auf "I" stellen, um die Beleuchtung einzuschalten.

## 8 NÜTZLICHE HINWEISE WÄHREND DES GEBRAUCHS

- 1 **Einstellung der Konsistenz:** Die optimale Konsistenz der Granita wurde werkseitig eingestellt. Soll diese Konsistenz geändert werden, mit einem Schraubenzieher die dafür an jeder der Rückwände des Dispensers vorgesehene Stellschraube wie folgt drehen (Bild 2):
  - nach rechts (Uhrzeigersinn), um die Konsistenz der Granita zu erhöhen (der Zeiger F im Fenster G verschiebt sich nach unten).
  - nach links (gegen den Uhrzeigersinn), um die Konsistenz der Granita zu verringern (der Zeiger F im Fenster G verschiebt sich nach oben).

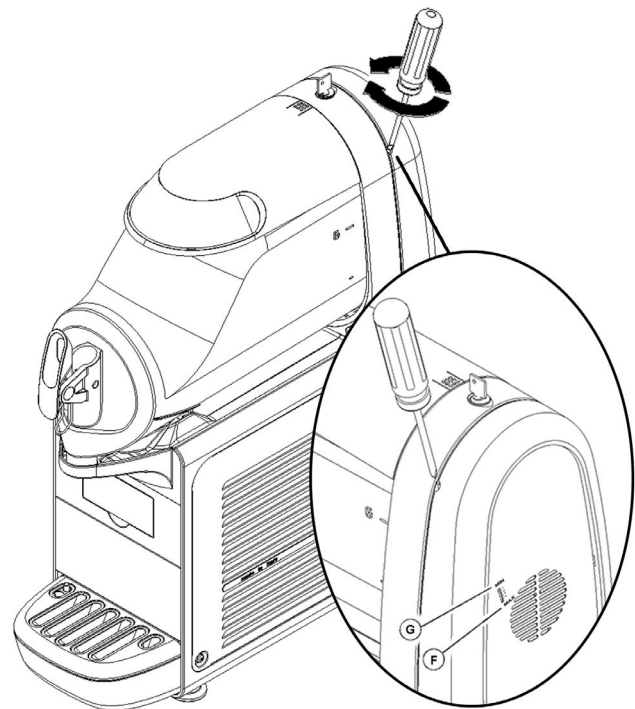


Bild 2

- 2 **Einstellung der Temperatur:** Die optimale Getränketemperatur (für den Betrieb des Geräts als Kaltgetränkedispenser und nicht als Granitaautomat) wurde werkseitig eingestellt. Soll diese Temperatur geändert werden, den in jedem Schaltergehäuse angebrachten Drehknopf wie folgt verstellen:
  - nach rechts (im Uhrzeigersinn), um ein kälteres Getränk zu erhalten.

- nach links (gegen den Uhrzeigersinn), um ein weniger kaltes Getränk zu erhalten.

**ANMERKUNG: Die Einstellung der Getränketemperatur ist nur wirksam, wenn der Schnecken- und Kühlaggregatschalter in der Stellung "Getränk" steht.**

**3** Die zur Kühlung des Produkts erforderliche Zeit variiert in Funktion verschiedener Faktoren wie zum Beispiel die Umgebungstemperatur, die anfängliche Temperatur des Produkts, sein Zuckergehalt (Brix-Grad) und die Einstellung der Konsistenz.

**4** Die Auffüllung des Behälters mit schon vorgekühltem Produkt bewirkt eine Erhöhung der Leistungsfähigkeit des Dispensers.

**5** Zur weiteren Herabsetzung der Nachfüllzeiten, die Behälter auffüllen, sobald der Produktstand auf die Hälfte des **Verdampferzylindern** gesunken ist.

**6** Zur guten Konservierung des Produkts, muß der Dispenser auch in der Nacht funktionieren, zumindest in der Stellung "Getränk". Falls dies nicht möglich ist und die Produkte bei stillstehendem Dispenser in den Behältern bleiben, sollten die Schnecken- und Kühlaggregatschalter eine Stunde vor dem Ausschalten des Geräts auf Stellung I gestellt werden. Dadurch wird die Bildung von Eisklumpen oder -krusten verhindert, die am folgenden Tag die Rührwerke beschädigen könnten. Besteht die Möglichkeit, daß sich in jedem Fall Eisklumpen bilden, müssen diese immer entfernt werden, bevor der Dispenser in Betriebbetrieb genommen wird. Der Nachtbetrieb in Getränke-Stellung eliminiert außerdem die mögliche Eisbildung (durch Kondensation der Luftfeuchtigkeit) an der Außenseite der Behälter.

**7** Die Schnecken niemals anhalten, wenn die Behälter Granita enthalten; wird die Granita nicht gemischt, kann sie sich zusammenballen und einen einzigen Eisblock bilden. Wird das Gerät unter diesen Bedingungen wieder eingeschaltet (das heißt, solange das Eis nicht geschmolzen ist), können die Schnecken beschädigt werden.

**8** Der Dispenser ist mit einer Magnetkupplung für die Übertragung der Bewegung zu den Schnecken versehen. Zur Vorbeugung von Beschädigungen des Geräts, bewirkt die Magnetkupplung im Fall der Blockierung der Schnecken durch Eisklumpen oder andere Hindernisse im Inneren des Behälters, automatisch die Unterbrechung der Bewegungsübertragung. Diese Situation ist außer an der Blockierung der Schnecken auch daran erkennbar, daß das Gerät ein zeitweilig aussetzendes Geräusch abgibt. In diesem Fall den Dispenser sofort anhalten, den betroffenen Behälter entleeren und die Ursache der Blockierung beseitigen.

**9** Jeder Dispenser dieser Art strahlt Wärme ab. Bei übermäßiger Erwärmung sicherstellen, daß sich keine Wärmequellen in der Nähe des Geräts befinden, vor allen Dingen nicht vor der Gitterverkleidung. Ferner darauf achten, daß der Luftstrom nicht durch Wände, Schachteln o.ä. in der Nähe behindert wird. Rund um das Gerät sollte ein Freiraum von mindestens 15 cm verbleiben.

**10** Das Produkt ist nur für den Gebrauch mit Süßwaren bestimmt.

## 8. 1 REINIGUNG

**1** Reinigen und Waschen des Geräts sind grundlegende Maßnahmen zur perfekten Erhaltung des Geschmacks der Getränke und der maximalen Leistungsfähigkeit Ihres Dispensers. Die im folgenden beschriebenen Verfahren sind allgemeiner Natur und können sich in Funktion der jeweils gültigen Gesundheitsvorschriften ändern.

**2** Bevor der Dispenser zur Reinigung auseinander genommen wird, müssen die Behälter entleert werden. Anschließend wie folgt vorgehen:

- den Hauptschalter auf I stellen;
- die Schnecken- und Kühlaggregatschalter auf I stellen;
- unter jeden Hahn ein Gefäß stellen und die Behälter entleeren;
- alle Schalter auf 0 stellen.

### 8. 1. 1 ABNEHMEN DER DOPPELWANDIGE SCHALE

- 1** Die beiden Teile öffnen, indem man sie ausrastet. (Bild 3).

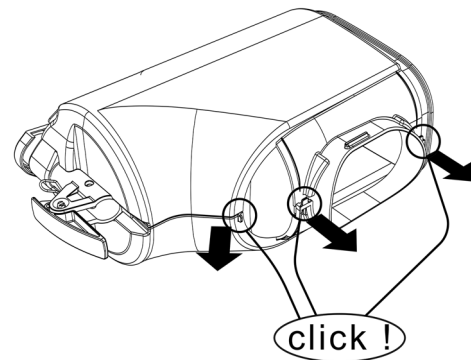


Bild 3

- 2** Erst die linke Seite der Abdeckung und dann die rechte abnehmen. (Bild 4)(Bild 5).

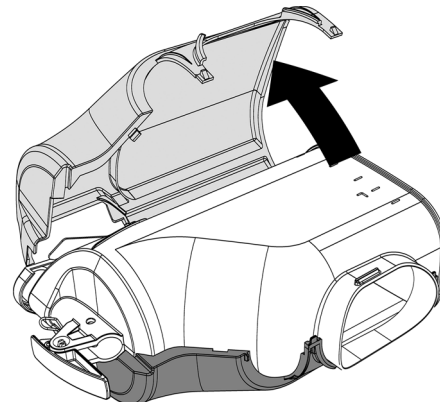


Bild 4

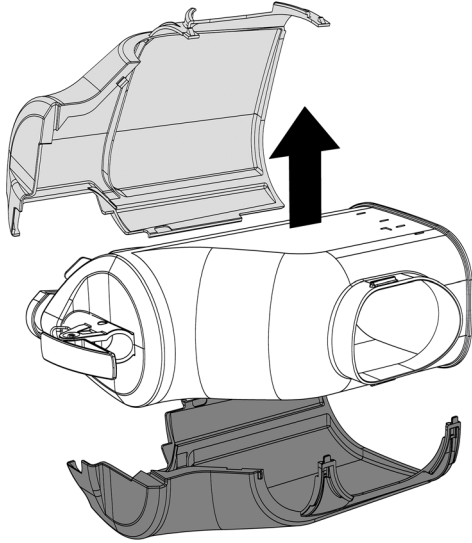


Bild 5

## 8. 1. 2 DEMONTAGE



### ACHTUNG

Vor dem Abmontieren jeglichen Teils, immer die Stromversorgung durch Abziehen des Steckers unterbrechen.

**1** Zum Entfernen des Deckels des Behälters, die obere Taste drücken und den Deckel nach vorne gleiten lassen. Falls sich ein Sicherheitsverschluss am Deckel befindet, den Schlüssel gegen den Uhrzeigersinn drehen, um die Taste freizugeben, die zum Öffnen benutzt wird (Bild 6).

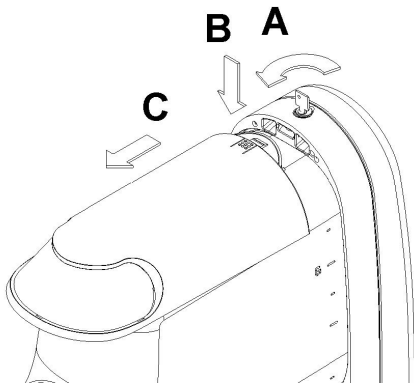


Bild 6

**2** Zum Ausbau des Behälters den entsprechenden Hebel nach oben drücken (Bild 7) und dann den Behälter herausziehen (Bild 8).

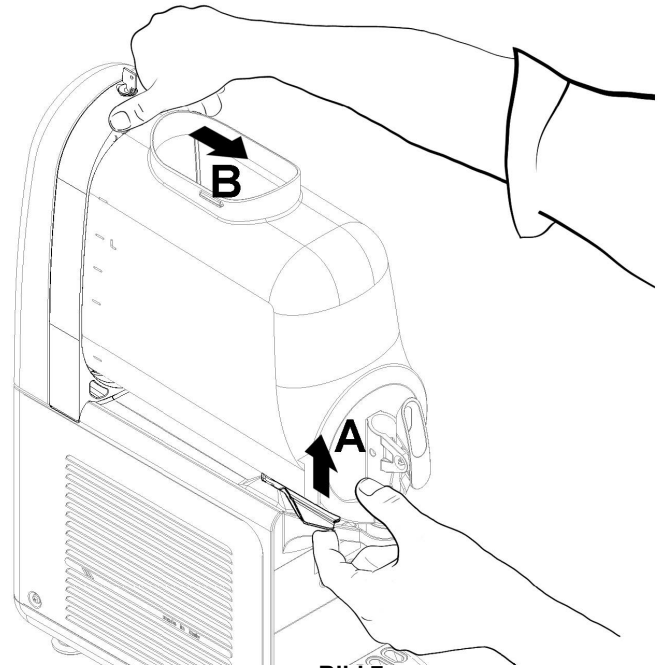


Bild 7

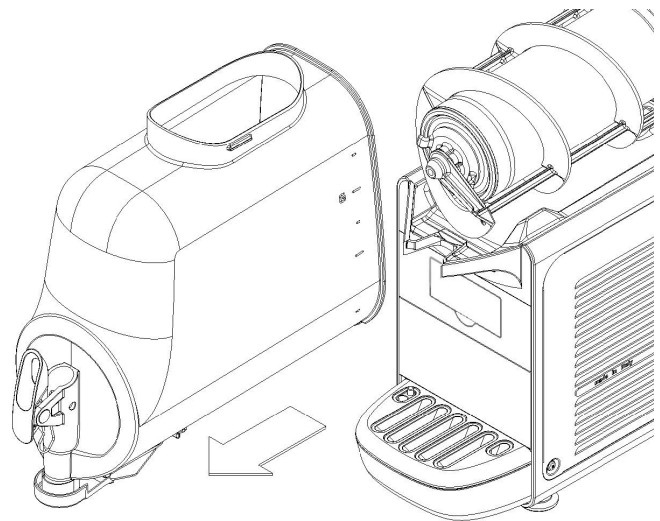
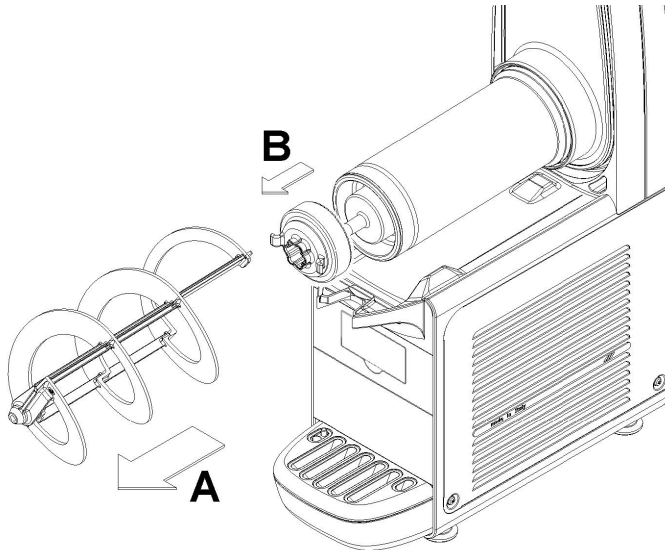


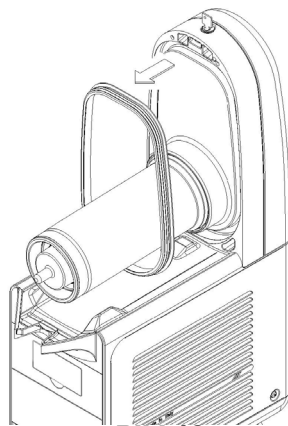
Bild 8

**3** Den Rührarm aus dem Verdampfer ziehen und dann den Sechskantanschluss entfernen (Bild 9).



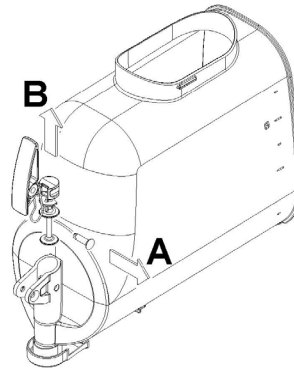
**Bild 9**

**4** Die Dichtung entfernen (Bild 10).



**Bild 10**

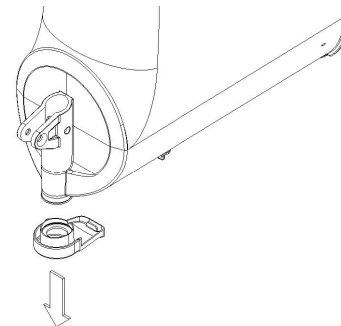
**5** Den Zapfhahn entfernen, dabei die angegebene Reihenfolge beachten (Bild 11).



**Bild 11**

**6** Den Tropfenfänger entfernen und ausleeren.

**7** Den Durchflussbegrenzer des Behälters entfernen (Bild 12).



**Bild 12**

### 8. 1. 3 WASCHEN



#### **WICHTIG**

Die Teile des Geräts dürfen nicht in der Geschirrspülmaschine gereinigt werden.



#### **ACHTUNG**

Vor jeder Reinigungsarbeit den Dispenser immer vom Stromnetz nehmen und den Stecker abziehen.

**1** Eine Wanne mit zirka 4 Litern warmes Wasser (45-60°C) und einem geeigneten Reinigungsmittel vorbereiten und dabei darauf achten, dass die vom Hersteller empfohlene Dosierung eingehalten wird, denn eine zu hohe Reinigungsmittelkonzentration könnte Schäden verursachen und eine zu niedrige Konzentration die Säuberung beeinträchtigen. Keine Reinigungsmittel mit Schleifstoffen verwenden.



## WICHTIG

Um Schäden am Dispenser zu vermeiden, nur Reinigungsmittel verwenden, die für Kunststoffe geeignet sind.

- 2 Mit einer geeigneten Bürste alle Teile, die mit dem Produkt in Kontakt kommen, mit der Seifenlauge reinigen.



## ACHTUNG

Beim Waschen des Dispensers darauf achten, dass die Elektrobestandteile nicht mit dem Wasser in Kontakt kommen, da sonst Stromschläge verursacht werden können oder der Dispenser geschädigt werden könnte.

- 3 Die zylinderförmigen Verdampfer mit einer weichen Bürste abwaschen.
- 4 Alle gewaschenen Teile mit klarem Wasser nachspülen.

## 8. 1. 4 DESINFEKTION DES DEMONTIERTEN DISPENSERS

Die Desinfektion muss unmittelbar bevor der Inbetriebnahme des Dispensers durchgeführt werden, um zu verhindern, dass das Gerät nach der Desinfektion längere Zeit unbenutzt herumsteht.

Die Desinfektion muss durchgeführt werden, wenn der Händler mit einem neuen Produkt wieder in Betrieb genommen wird.

- 1 Vor dem Beginn der Desinfektionsarbeiten die Hände mit einer antibakteriellen Seife waschen.
- 2 Eine Wanne mit zirka 8 Litern warmen Wasser (45-60°C) und einem im Aufstellungsland zugelassenem Desinfektionsmittel, das auch den Herstellerangaben entspricht, vorbereiten. Falls kein geeignetes Produkt zur Hand sein sollte, eine Lösung aus Wasser und Chlorbleichlauge (Bleichmittel) in der Proportion von 1 Löffel auf 2 Litern Wasser verwenden.
- 3 Alle zu desinfizierenden Teile für die vom Hersteller angegebene Zeit in die Lösung eintauchen.
- 4 Die Teile anschließend auf einer sauberen Unterlage an der Luft trocknen lassen.
- 5 Die äußeren Teile des Dispensers mit einem weichen Tuch abtrocknen.

## 8. 1. 5 AUFSETZEN DER DOPPELWANDIGE SCHALE

- 1 Die rechte Seite der Abdeckung auf eine Fläche legen. Den Behälter hineinlegen. (Bild 13)(Bild 14).

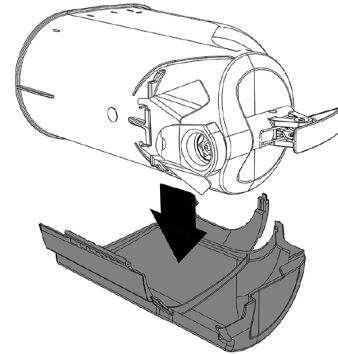


Bild 13

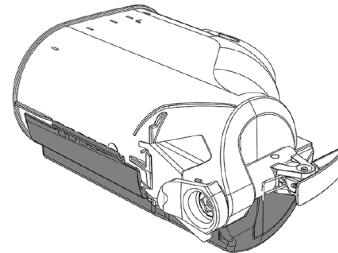


Bild 14

- 2 Den linken Teil der Abdeckung anbringen, dabei darauf achten, dass die hervorgehobene Steckverbindung  $\frac{1}{4}$ bereinstimmt. Nun die beiden Teile schließen, indem man sie einrasten lässt. (Bild 15) (Bild 16).

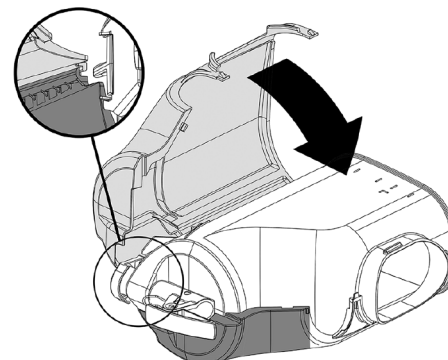
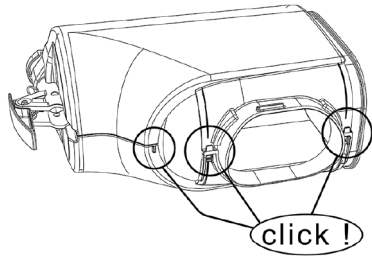
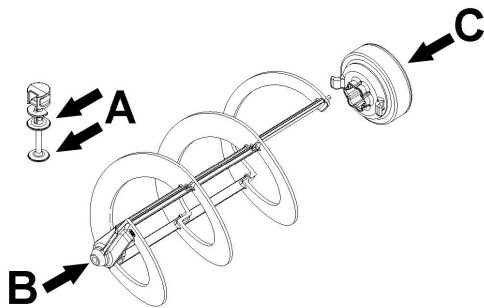


Bild 15



**Bild 16**

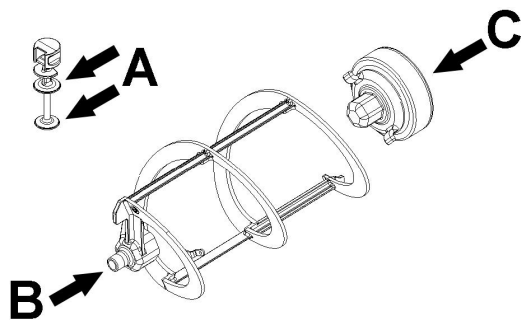
## 8. 1. 6 MONTAGE



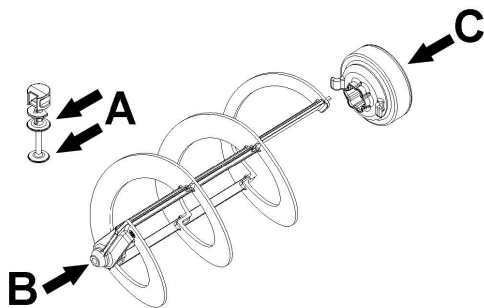
**Bild 17**

**1** Den Tropfenfänger wieder in seinem Sitz einsetzen.

**2** Den Kolben des Zapfhahns, den Sechskantanschluss und den Rührarm an den in (8. 1. 6) (B-Frozen 6) o (Bild 19) (B-Frozen 10) gezeigten Punkten schmieren, dabei ausschließlich das dem Gerät mitgelieferte Schmierfett oder andere Fette verwenden, die den Vorschriften der Nahrungsmittelindustrie entsprechen.



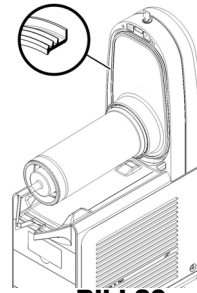
**Bild 18**



**Bild 19**

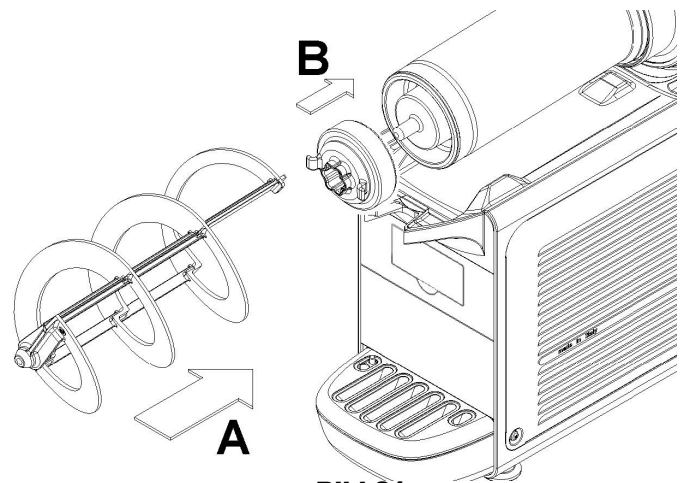
**3** Den Zapfhahn gegenteilig zum Ausbau in (Bild 12) wieder am Behälter montieren.

**4** Die Dichtung des Behälters wieder in ihren Sitz einsetzen. **BITTE BEACHTEN:** der größere Durchmesser muss sich dabei an der hinteren Wand befinden (Bild 20).



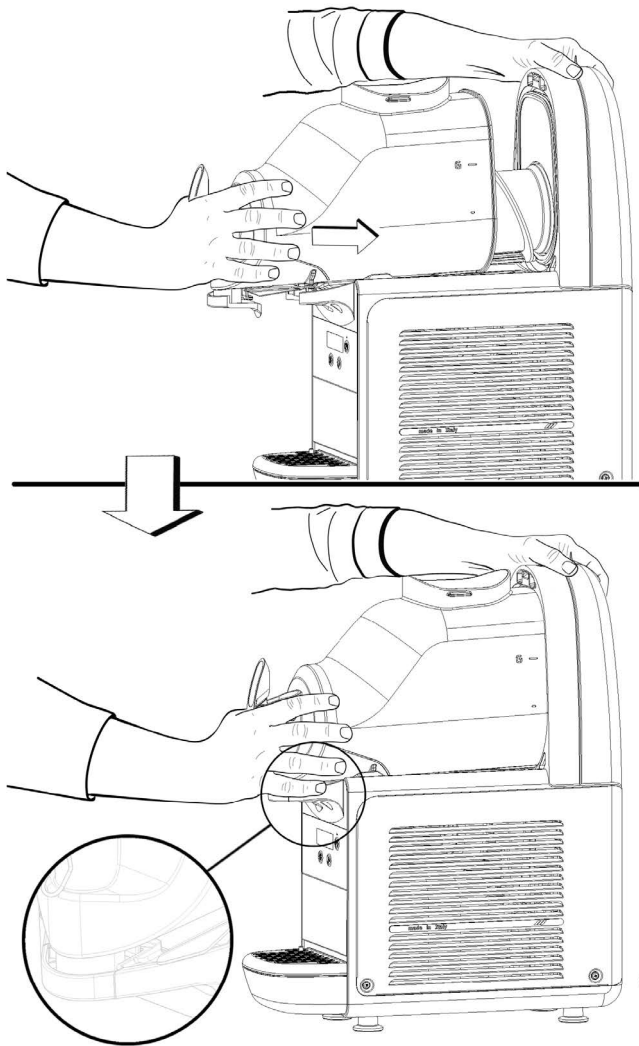
**Bild 20**

**5** Den Sechskantanschluss und dann den Rührarm wieder einbauen (Bild 21).



**Bild 21**

**6** Den Behälter wieder einbauen und gegen die Rückwand drücken, dabei sicherstellen, dass er vollständig mit der Dichtung abschließt. Den Blockierhebel wieder absenken, bis er am Tropfenfänger aufliegt (Bild 22).



**Bild 22**

7 Mit einem frischen Getränk ausspülen, so dass alle möglichen Reste des Desinfektionsmittels vom Boden des Behälters entfernt werden. Das Innere der Behälter mit einem Papiertuch abtrocknen.

## 8.2 DESINFEKTION DES MONTIERTEN DISPENSERS

Die Desinfektion des montierten Geräts vor der Inbetriebnahme kann, falls erforderlich, als weitere Vorsichtsmaßnahme zusätzlich zur Desinfektion des zerlegten Geräts wie zuvor beschrieben durchgeführt werden, aber nie statt dieser.

- 1 Eine Wanne mit Wasser und einem im Aufstellungsland zugelassenem Desinfektionsmittel, das auch den Herstellerangaben entspricht, vorbereiten. Falls kein geeignetes Produkt zur Hand sein sollte, eine Lösung aus Wasser und Chlorbleichlauge (Bleichmittel) in der Proportion von 1 Löffel auf 2 Litern Wasser verwenden.
- 2 Die Lösung in die Behälter füllen.

3 Mit einer geeigneten Bürste die Lösung auf die Teile der Innenwände, die nicht von der Lösung bedeckt sind und auf den unteren Teil des Deckels verteilen.

4 Den Deckel einsetzen und den Dispenser für zirka 2 Minuten laufen lassen, so dass die Lösung in Bewegung ist.

5 Den Durchflussbegrenzer des Behälters entfernen (Bild 12).

6 Die Lösung durch die Zapfhähne ablassen und anschließend entfernen.

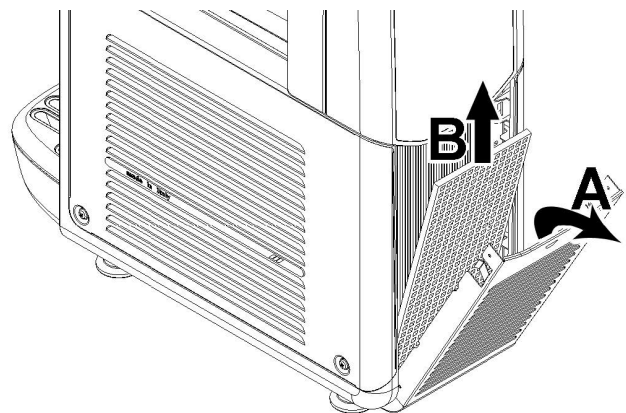
7 Mit einem frischen Getränk nachspülen, so dass alle möglichen Reste des Desinfektionsmittels vom Boden des Behälters entfernt werden.

8 Ein weiteres Nachspülen ist nicht erforderlich.

## 9 INSTANDHALTUNG

1 **Täglich:** Den Dispenser kontrollieren und sicherstellen, dass keine Lecks an den Dichtungen bestehen. Falls Lecks entstehen sollten, zuerst kontrollieren, ob alle Teile des Dispensers korrekt eingebaut sind, dann überprüfen, ob die Dichtungen geschmiert werden müssen und zuletzt, ob diese fehlerhaft oder abgenutzt sind. In diesem Fall mit Originalersatzteilen vom Hersteller austauschen.

2 **Monatlich:** Den Staub am Filter des Kondensators am hinteren Teil der Maschine entfernen (Bild 23).



**Bild 23**



### ACHTUNG

Auf die Lamellen des Kondensators achten, um sich nicht an den scharfen Kanten zu verletzen.

- 3** Im Fall von Geräuschentwicklung muss der Kühler ausgesteckt und der Kundendienst verständigt werden.
- 4** Bei einem Ausfall den Stecker der Maschine ausstecken, da ein unvorhergesehener Start möglich ist.
- 5** Nach jeglichen Reparaturen müssen alle Teile wie Schrauben und Abdeckungen wieder in ihrer ursprünglichen Position angebracht werden.

## **9. 1 WARTUNG (MUSS VOM AUTORISIERTEN KUNDENDIENSTDURCHFÜHRT WERDEN)**



### **WICHTIG**

Um Schäden am Dispenser zu vermeiden, dürfen die Plastikteile nur mit Schmierfetten des Herstellers oder mit anderen Fetten geschmiert werden, die für Kunststoffe geeignet sind.

**JÄHRLICH** : Alle Verkleidungen abnehmen und das Innere der Maschine einschließlich der Innenwände der Verkleidung reinigen.

Nie die Antikondensbeschichtung entfernen, die sich rund um das Austrittsrohr des Verdunsters befindet (am Kupferrohr rechts neben dem Getriebemotor). Wenn die Beschichtung fehlen sollte, mit Originalersatzteilen vom Hersteller austauschen.

## **10 GARANTIE**

Garantieinformationen finden Sie unter [www.stoeltingfoodservice.com](http://www.stoeltingfoodservice.com).

# SBCA & SCBF

## 1 INSTRUCCIONES DE SEGURIDAD ELÉCTRICA

**1** Antes de conectar la alimentación eléctrica del distribuidor, verifique que la tensión de red sea la correcta, indicada en la placa. Conecte el distribuidor a una red monofásica, utilizando un enchufe con toma de tierra, en cumplimiento de las normas vigentes. Si la desconexión del aparato de la red eléctrica se realiza mediante un interruptor unipolar, este debe garantizar una distancia de apertura de los contactos que permita la desconexión completa, en las condiciones previstas para la categoría de sobretensión III.

**2** No utilice alargaderas para conectar el aparato a la alimentación eléctrica.

**3** En caso de deterioro del cable de alimentación, este debe ser sustituido por el fabricante, por el servicio de asistencia técnica o por una persona con cualificación similar, para prevenir cualquier riesgo.

**4** El aparato no es apto para ser utilizado en ambientes exteriores.

**5** El aparato se debe instalar en posición vertical.

**6** Antes de cualquier operación de limpieza, desconecte siempre la alimentación eléctrica del distribuidor, extrayendo la clavija de la toma.

**7** No quite los paneles para realizar operaciones de limpieza o mantenimiento, hasta verificar que el distribuidor está desconectado de la alimentación eléctrica.

**8** No utilice chorros de agua para la limpieza.

**9** Este aparato no puede ser utilizado por niños.

**10** Evite que los niños jueguen con el aparato.

**11** Este aparato no puede ser utilizado por personas con capacidades físicas, sensoriales o mentales reducidas, o sin experiencia y conocimientos, a menos que hayan recibido asistencia y capacitación para el uso seguro del aparato y comprendan los peligros que este implica.

**12** El acceso al interior del distribuidor está reservado a personas con conocimiento y experiencia con el aparato, especialmente si se trata de operaciones relacionadas con la seguridad y la higiene.

## 2 INSTRUCCIONES DE SEGURIDAD HIGIÉNICA

**1** Este aparato está destinado al uso doméstico o similar.

**2** Para su correcto funcionamiento, la temperatura ambiente debe estar comprendida entre +5 y +32 °C.

**3** Utilice el aparato exclusivamente para enfriar los líquidos indicados.

**4** No introduzca sustancias o líquidos peligrosos o tóxicos en el aparato.

## 3 CARACTERÍSTICAS TÉCNICAS

			SCBA118-37	SCBA128-37	SCBA168-37	SCBF118-37	SCBF128-37	SCBF168-37
Contenedores desmontables	transparentes	n	1	2	3	1	2	3
Capacidad de cada contenedor, aproximada	l		6	6	6	10	10	10
<b>Dimensiones:</b>								
ancho	cm		20	40	60	20	40	60
largo	cm		50	50	50	51	51	51
alto	cm		60	60	60	68	68	68
Peso neto, aproximado	kg		26	42	57	27	45	62
Peso bruto, aproximado	kg		28	45	61	29	48	66
Motocompresor hermético								
Condensador a ventilación forzada								
Guardamotor								
Nivel de ruido inferior a 70dB (A)								



### IMPORTANTE

**Características eléctricas: leer los datos que aparecen en la placa de cada distribuidor que se encuentra situada en la parte inferior del panel frontal, detrás del cajón recogedor de gotas de la derecha. Los números de serie de los aparatos (precedidos del símbolo #) aparecen debajo el bastidor. Los datos que aparecen en la placa de características son los que se tienen que tomar siempre como punto de referencia.**

Queda reservado el derecho de modificación del presente manual sin aviso previo.

## 4 INTRODUCCION

Es necesario leer atentamente este manual de instrucciones con el objetivo de conocer todas las características del distribuidor.

Como todos los productos mecánicos, también este distribuidor necesita limpieza y cuidados. Su buen funcionamiento se podría ver comprometido, además, por eventuales errores efectuados por el operador durante las fases de desmontaje y limpieza. Esta es la razón por la que es importante que el usuario del distribuidor conozca, sin posibilidad de cometer errores, los procedimientos de desmontaje, lavado, desinfección y reensamblado, puesto que se trata de operaciones diarias.

## 5 INSTALACIÓN

1 Extraer el distribuidor del embalaje que se aconseja conservar para futuras necesidades.



### IMPORTANTE

**Durante las operaciones de transporte o elevación, no se puede sujetar nunca el distribuidor por los recipientes transparentes o los cilindros evaporadores. El fabricante no responde de los desperfectos provocados por este tipo de maniobras erróneas.**

2 Controlar si el distribuidor ha sufrido desperfectos durante el transporte. En caso positivo, será necesario efectuar inmediatamente la reclamación a la compañía de transportes.

3 Apoyar el distribuidor sobre un mostrador capaz de sostener su peso, incluso con el máximo de la carga, teniendo presente lo que se ha dicho en el aviso IMPORTANTE del punto 1 precedente.

4 Dejar un espacio libre de por lo menos 15 cm alrededor de todo el distribuidor para no obstaculizar el flujo de aire de enfriamiento.

5 Controlar la estabilidad del aparato regulando eventualmente los pies en altura. Si con el distribuidor se suministra una serie de pies altos (100 mm aproximadamente) se tendrá que sustituir la serie original con la suministrada.



### ATTENCION

**Asegurarse de que el aparato se encuentre correctamente conectado a tierra; en caso contrario se podrían producir descargas eléctricas en las personas o deterioros en el distribuidor.**

6 El distribuidor no sale de fábrica prelavado y desinfectado. Antes del uso tiene que desmontarse, lavarse y desinfectarse siguiendo las instrucciones previstas que se encuentran presentes en el capítulo 7.3 LIMPIEZA.



### IMPORTANTE

**Colocar el aparato de forma que la clavija del cable de alimentación se encuentre fácilmente accesible.**

7 Si viene requerido de las normas vigentes locales, es posible transformar el aparato a una conexión permanente, según el National Electrical Code (NEC) y NFPA 70. En tal caso retirar el paso de cable bloqueo y si es necesario, agrandar el agujero en la base del panel de acero para facilitar el paso del conducto.

## 6 PARA UN FUNCIONAMIENTO SEGURO Y CORRECTO

1 No utilizar el distribuidor antes de haber leído el presente manual de instrucciones.

2 No utilizar el distribuidor si no está correctamente conectado a tierra.

3 No poner en funcionamiento el distribuidor si los paneles no se encuentran en su lugar y fijados con los tornillos.

4 No introducir los dedos u objetos en las ranuras de los paneles y en la apertura del grifo.

5 No desmontar el contenedor, no quitar los mezcladores o paneles para limpieza o mantenimiento sin cerciorarse que el distribuidor esté desenchufado del suministro de corriente.

6 El cárter siempre debe estar cerrado.

7 No vierta productos alimenticios dentro del dispensador a una temperatura superior a 40 °C.

## 7 INSTRUCCIONES DE EMPLEO

Para abrir la tapa del recipiente, pulsar la tecla superior y deslizar la tapa hacia la parte anterior del recipiente.

Si la máquina dispone de cerradura para el cierre de seguridad de la tapa, girar la llave en el sentido contrario al de las agujas del reloj y desbloquear la tecla de apertura (ver figura 29).

1 Lavar y desinfectar el distribuidor antes de utilizarlo siguiendo las instrucciones previstas que se encuentran presentes en el capítulo 7.3 LAVADO.

2 Llenar los recipientes con el producto deseado, teniendo en cuenta que durante la elaboración aumenta de volumen. Es por esta razón que los recipientes no se tienen que llenar hasta el máximo de su capacidad. Para la preparación de granizados es necesario considerar un aumento de volumen equivalente a aproximadamente el 10%.

3 Si se utilizan bases líquidas o en polvo, especialmente preparadas para granizados, seguir atentamente las instrucciones del fabricante.

4 Si se utilizan productos naturales para la preparación de granizados (por ejemplo zumo de limón, naranja o café), diluir 150-200 gramos de azúcar por cada litro de producto.

5 Si se utilizan bases liofilizadas para diluir con leche o agua, preparar el producto en un recipiente a parte y añadirlo a los recipientes de la máquina sólo después de haberse asegurado que es homogéneo y que el polvo se ha diluido correctamente.



### IMPORTANTE

**En cualquier caso, tras la obtención de la mezcla, su grado Brix (contenido en porcentaje de azúcar) tiene que ser superior a 13.**

**No utilizar nunca la máquina sólo con agua.**



### IMPORTANTE

**Utilizar el distribuidor sólo con productos alimentarios.**

6 Accionar los comandos (véase capítulo 7.1 DESCRIPCIÓN DE LOS COMANDOS).

7 El distribuidor tiene que funcionar de forma ininterrumpida: el sistema de enfriamiento de cada recipiente se detendrá de forma automática cuando el producto estará listo para la distribución manteniendo la densidad configurada. Los dispositivos de mezclado continuarán funcionando.

8 Si usa el dispensador con productos a base de leche, nunca lo apague. Cuando no esté en uso, active la función de almacenamiento.

# SBCA & SCBF

## 7.1 DESCRIPCIÓN DE LOS MANDOS

El distribuidor está provisto de un interruptor general y de un interruptor para la luz. Cada uno de los contenedores está provisto de un interruptor para arrancar la mezcla y para seleccionar el tipo de refrigeración del producto. En efecto, es posible obtener tanto bebidas frías como productos helados como granizados o sorbetes.

Cuando se selecciona la función bebida, la temperatura de dicha bebida está regulada por el correspondiente termostato. Cuando se selecciona la función granizado la densidad del producto se regula con el correspondiente tornillo de ajuste que se encuentra en cada una de las paredes posteriores del distribuidor (para regular la temperatura y la densidad ver el capítulo 7.2 SUGERENCIAS).

Todos los interruptores están colocados en la parte frontal del distribuidor (lado grifos) y están protegidos con una ventanilla apropiada (ver figura 24).

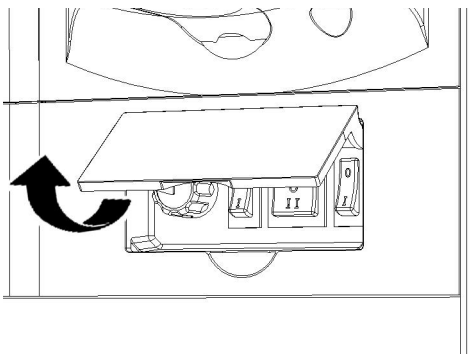
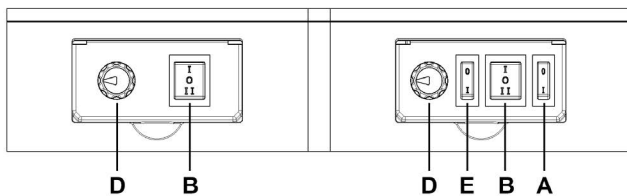


figura 24

Las funciones de los mandos del distribuidor se ilustran a continuación:



### Interruptor general (A)

- Posición 0 : el distribuidor está apagado.
- Posición I : el distribuidor está habilitado para el funcionamiento. Ventilador en función.

### Interruptor luces (E) (si está presente)

- Posición 0 : luces tapa apagadas.
- Posición I : luces tapa encendidas.

### Interruptor mezcladores y refrigeración (B)

- Posición I : mezcladores y refrigeración en función. Posición BEBIDA.
- Posición 0 : mezcladores y refrigeración apagados.
- Posición II : mezcladores y refrigeración en función. Posición GRANIZADO.

### Termostato (D)

- Rotación en sentido horario : bebida más fría
- Rotación en sentido antihorario : bebida menos fría

Para el funcionamiento del distribuidor:

- 1 Colocar el interruptor general en la posición I.
- 2 Ajustar los interruptores mezcladores y refrigeración:
  - en la posición I si se quiere refrigerar el producto sin helarlo
  - en la posición II si se quiere obtener el granizado.
- 3 Poner el interruptor luces en la posición I para encender las luces.

## 8 SUGERENCIAS

**1 Regulación de la densidad:** la densidad óptima del granizado ha sido ya ajustada en fábrica. Si se quiere variar dicha densidad girar con un destornillador el correspondiente tornillo de ajuste situado en cada una de las paredes posteriores del distribuidor (ver figura 25):

- hacia derecha (sentido horario) para obtener un granizado más denso (el índice F en la ventanilla G se desplazará hacia abajo).
- hacia izquierda (sentido antihorario) para obtener un granizado menos denso (el índice F en la ventanilla G se desplazará hacia arriba).

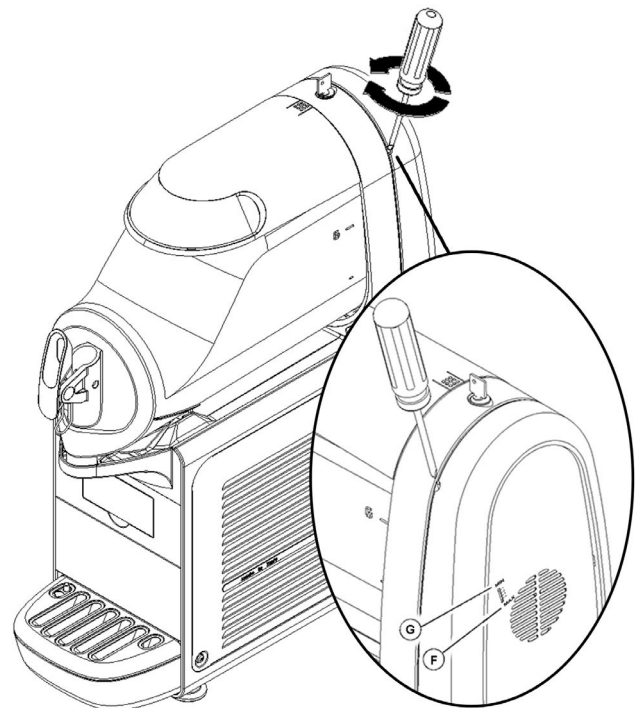


figura 25

**2 Regulación de la temperatura:** la temperatura óptima de las bebidas (para el funcionamiento del distribuidor como refrigerador de bebidas y no como granizador) ha sido regulada en la fábrica. Si se quiere variar su valor, girar el pomo colocado en cada una de los paneles portainterruptores:

- hacia derecha (sentido horario) para obtener una bebida más fría.

- hacia izquierda (sentido antihorario) para obtener una bebida menos fría.

**NOTA: la regulación de la temperatura de la bebida se hace efectiva solamente cuando el interruptor mezcladores y refrigeración correspondiente se encuentra en la posición Bebida.**

**3** El tiempo necesario para obtener la refrigeración del producto varía en función de distintos factores como por ejemplo la temperatura ambiente, la temperatura inicial del producto, su contenido de azúcar (grado Brix) y la regulación de la densidad.

**4** Llenando los contenedores con producto ya enfriado previamente se aumenta ulteriormente la eficiencia del distribuidor.

**5** Para disminuir los tiempos de restablecimiento y, por lo tanto, aumentar la autonomía del distribuidor, volver a llenar cuando el nivel del producto desciende a mitad evaporador.

**6** Para conseguir una buena conservación del producto, el distribuidor debe funcionar también durante la noche, por lo menos en la posición Bebida. Si esto no fuera posible y los productos permanecieran en los contenedores con el distribuidor parado es conveniente, una hora antes de apagar el aparato, llevar los interruptores mezcladores y refrigeración en la posición I; ésto evita la formación de bloques o crostas de hielo que podrían dañar los dispositivos mezcladores. En el caso en que se formasen dichos bloques de hielo, estos deberían ser quitados antes de volver a poner en función el distribuidor. El funcionamiento nocturno en la posición Bebida elimina además la posible formación de hielo (debido a la condensación de la humedad atmosférica) en el exterior de los contenedores.

**7** No parar jamás los mezcladores cuando hay granizado en los contenedores; si no se mezcla, dicho granizado puede agregarse y formar un único bloque de hielo. Volviendo a arrancar los mezcladores en estas condiciones (sin esperar que el hielo se derrita) pueden dañarse.

**8** El distribuidor está provisto de una junta magnética para la transmisión del movimiento a los mezcladores. Para prevenir daños al aparato, en caso de bloqueo de los mezcladores debido a bloques de hielo u otro dentro de los contenedores, la junta magnética se encarga de desconectar automáticamente la transmisión del movimiento.

Dicha situación puede ser identificada tanto por el bloqueo de los mezcladores como por un ruido intermitente que proviene del aparato. En este caso es necesario parar inmediatamente el distribuidor, vaciar el contenedor interesado y eliminar la causa del bloqueo.

**9** Todo distribuidor de este tipo debe despedir calor. Si el calor producido fuera excesivo, controlar que ninguna fuente de calor se encuentre cerca del distribuidor y, en modo particular, cerca de las rejillas de los paneles. Cerciorarse además, que el flujo de aire no esté obstaculizado por paredes cercanas, cajas u otras cosas. Dejar por lo menos 15 cm de espacio libre alrededor del distribuidor.

**10** El aparato solo puede ser utilizado con productos de repostería.

## **8. 1 LIMPIEZA**

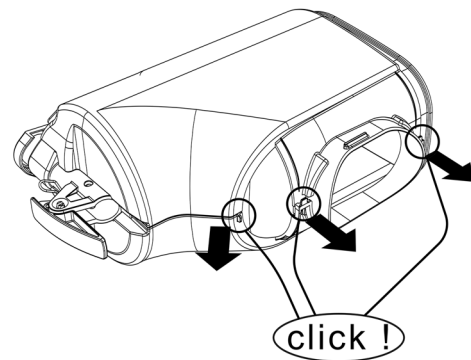
**1** La limpieza y el lavado son fundamentales para garantizar la perfecta conservación del gusto de la bebida y la máxima eficiencia de vuestro distribuidor. Los procedimientos descritos a continuación deben ser considerados de carácter general y pueden variar por efecto de la reglamentación de higiene vigente.

**2** Antes del desarmado para el lavado del distribuidor debe quitarse todo el producto. Proceder como sigue:

- poner el interruptor general en la posición I;
- poner los interruptores mezcladores/refrigeración en la posición I;
- posicionar un recipiente debajo del grifo y vaciar los contenedores;
- poner todos los interruptores en la posición 0.

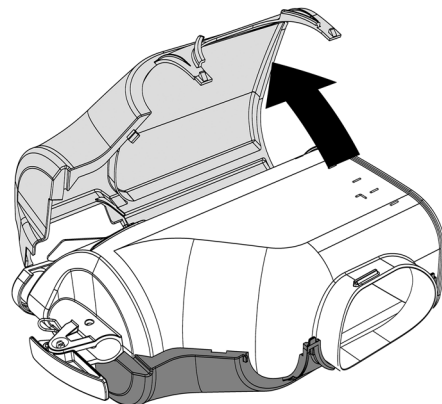
### **8. 1. 1 DESMONTAJE DEL CUENCO DE DOBLE PARED**

**1** Abra las dos partes (debe oírse un clic). (ver figura 26).



**figura 26**

**2** Quite la parte izquierda del recuperador y, a continuación, la derecha. (ver figura 27)(ver figura 28).



**figura 27**

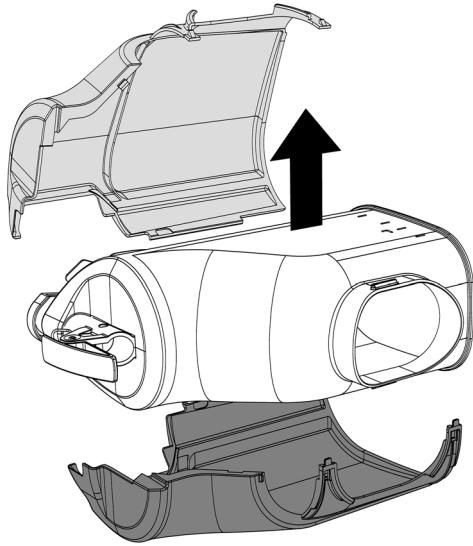


figura 28

## 8. 1. 2 DESMONTAJE



### ATENCIÓN

Antes de iniciar el desmontaje de cualquier componente desconectar siempre eléctricamente el aparato sacando la clavija del enchufe.

**1** Para quitar la tapa del recipiente, pulsar la tecla superior B y deslizar la tapa C hacia la parte anterior del recipiente. Si la máquina dispone de cerradura para el cierre de seguridad de la tapa A, girar la llave en el sentido contrario al de las agujas del reloj y desbloquear la tecla de apertura (ver figura 29).

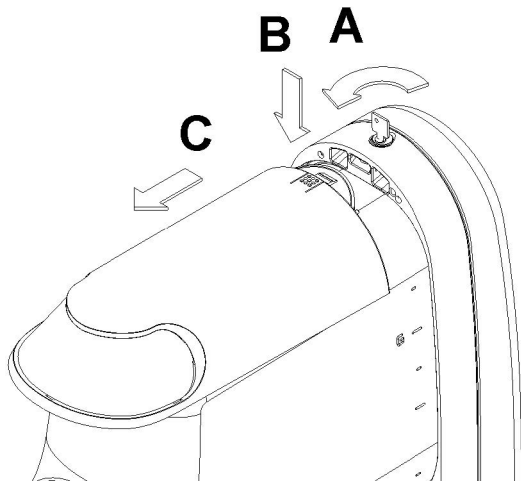


figura 29

**2** Para desmontar el recipiente es necesario empujar hacia arriba la palanca correspondiente A (ver figura 30) y luego sacar el recipiente hacia delante B (ver figura 31).

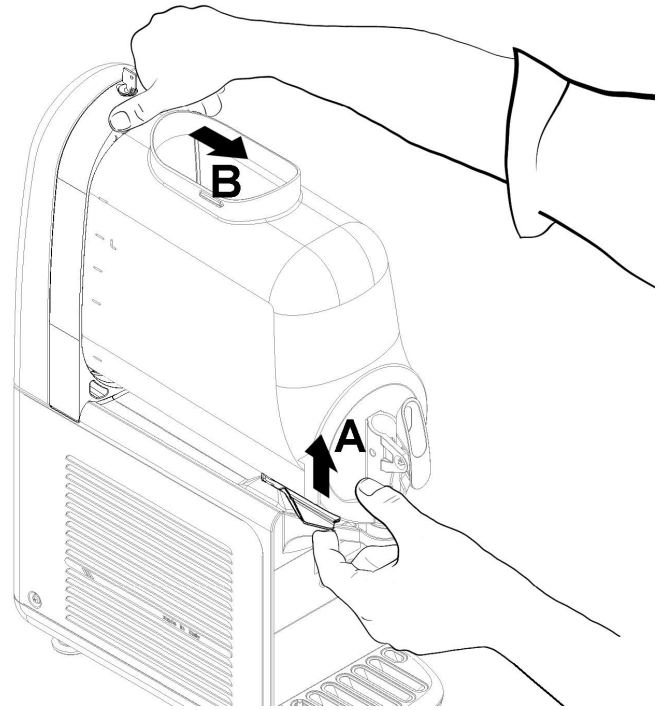


figura 30

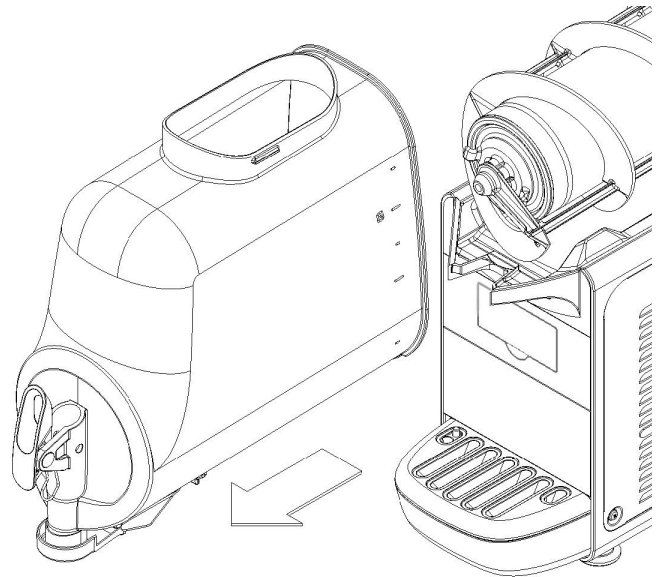


figura 31

**3** Quitar el mezclador A sacándolo del cilindro evaporador. Luego retirar el empalme hexagonal B (ver figura 32).

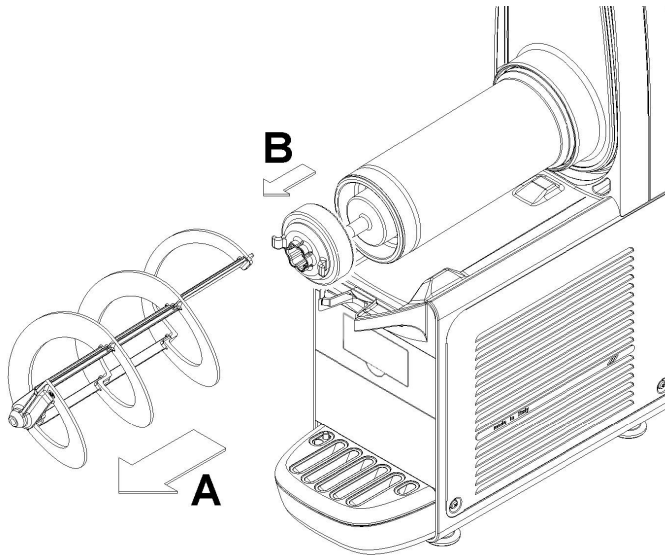


figura 32

4 Sacar la guarnición del correspondiente alojamiento (ver figura 33).

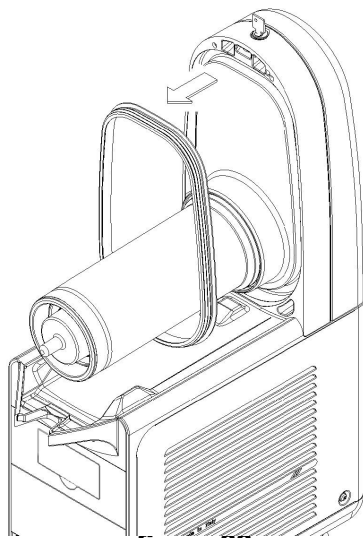


figura 33

5 Desmontar el grifo de erogación siguiendo la secuencia indicada (ver figura 34).

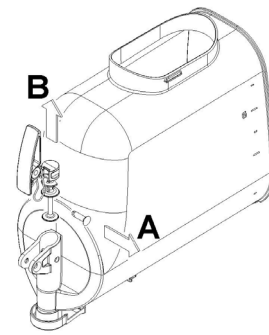


figura 34

6 Sacar el cajón recogedor de gotas y vaciarlo.  
7 Sacar del recipiente el restrictor de flujo (ver figura 35).

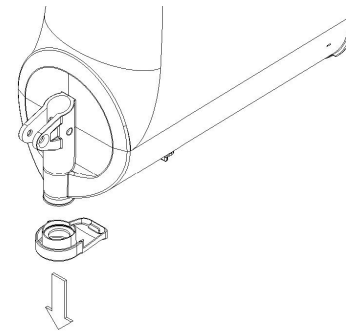


figura 35

### 8. 1. 3 LAVADO



#### IMPORTANTE

No lavar ningún componente de la máquina en el lavavajillas.



#### ATTENCION

Antes de llevar a cabo una intervención de limpieza, desconectar siempre eléctricamente el distribuidor sacando la clavija del enchufe o apagando el interruptor exterior de pared.

1 Preparar en un recipiente aproximadamente cuatro litros de agua caliente (45-60°C) y detergente específico respetando con atención las indicaciones del fabricante; una solución demasiado concentrada puede provocar en efecto desperfectos en las partes que se tienen que lavar, mientras una demasiado diluida puede no limpiar de forma suficiente. No utilizar detergentes abrasivos.



#### IMPORTANTE

Para prevenir desperfectos al distribuidor utilizar sólo detergentes compatibles con las partes de plástico.

## SBCA & SCBF

2 Utilizar un cepillo adecuado y lavar cuidadosamente con la solución detergente todas las partes que están en contacto con la bebida.



### ATENCIÓN

Durante el lavado del distribuidor no utilizar una cantidad excesiva de agua cerca de los componentes eléctricos; en caso contrario se podrían producir descargas eléctricas en las personas o deterioros en el distribuidor.

3 Lavar los cilindros evaporadores utilizando un cepillo con cerdas suaves.

4 Enjuagar todas las partes lavadas con agua corriente.

### 8. 1. 4 HIGIENIZACION DEL DISTRIBUIDOR DESMONTADO

La higienización debe efectuarse inmediatamente antes de poner en función el distribuidor; evitar que este permanezca inactivo por mucho tiempo después de haber sido higienizado.

La desinfección debe realizarse cada vez que el distribuidor vuelva a funcionar con un nuevo producto.

1 Antes de iniciar los procedimientos descritos a continuación es necesario lavarse las manos con un jabón antibacteriano.

2 Preparar en un barreño aproximadamente ocho litros de solución de agua caliente (45-60°C) y producto desinfectante aprobado por las autoridades del propio país respetando las especificaciones del fabricante. Si no se dispone de un producto desinfectante específico, preparar una solución de agua e hipoclorito de sodio (lejía) con una proporción de 1 cucharada cada 2 litros de agua.

3 Sumergir en la solución todas las partes que se tienen que desinfectar durante el tiempo indicado por el fabricante del producto.

4 Dejar secar las partes desinfectadas sobre una superficie limpia.

5 Secar las partes externas del distribuidor sin utilizar trapos abrasivos.

### 8. 1. 5 MONTAJE DEL CUENCO DE DOBLE PARED

1 Apoye la parte derecha del recuperador sobre una superficie. Coloque el recipiente en su interior.(ver figura 36)(ver figura 37).

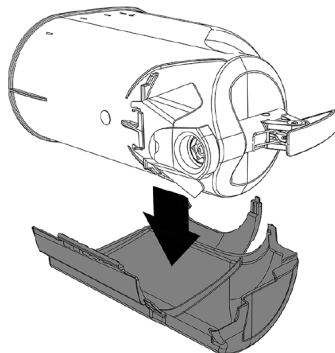


figura 36

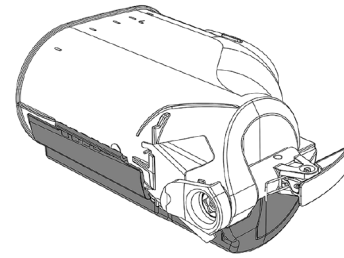


figura 37

2 Coloque la parte izquierda del recuperador, haciendo coincidir el encaje evidenciado. Cierre a presión las dos partes. (ver figura 38)(ver figura 39).

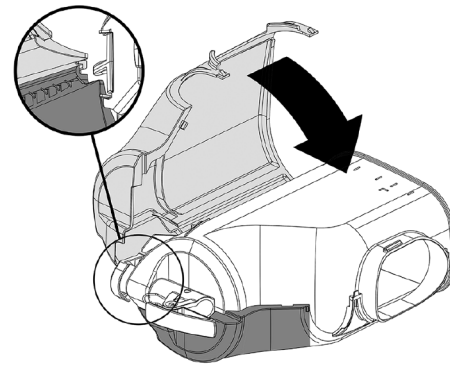


figura 38

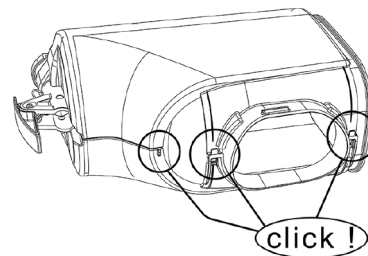


figura 39

### 8. 1. 6 REMONTAJE

1 Introducir el cajón recogedor de gotas en su alojamiento.

2 Lubrificar el pistón del grifo de erogación, el empalme hexagonal y el mezclador en los puntos indicados en la figura 40 (B-Frozen 6) o figura 41 (B-Frozen 10) utilizando exclusivamente la grasa que se entrega de serie con la máquina u otra grasa para uso alimentario.

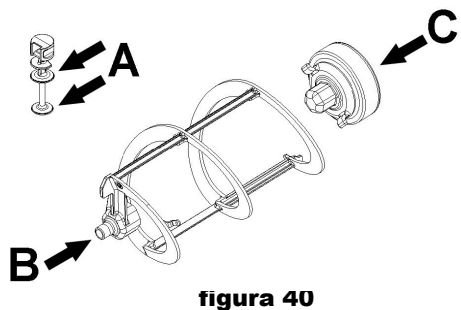


figura 40

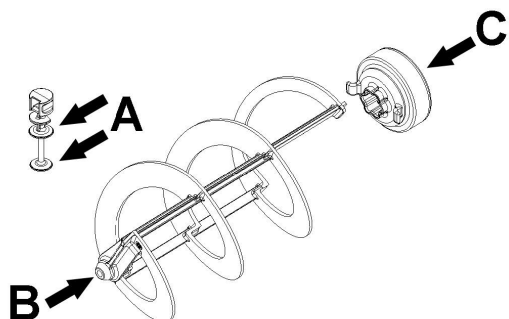


figura 41

**3** Montar de nuevo el grifo de erogación en el recipiente con secuencia inversa respecto a la de la figura 40 o figura 41.

**4** Montar de nuevo la guarnición del recipiente en el alojamiento correspondiente.

NOTA: el ala de mayor diámetro tiene que apoyarse a la pared posterior (ver figura 42).

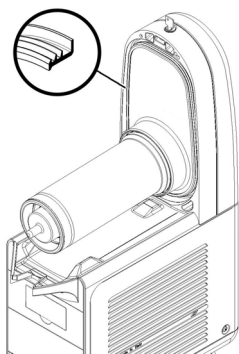


figura 42

**5** Montar de nuevo el empalme hexagonal y luego el mezclador (ver figura 43).

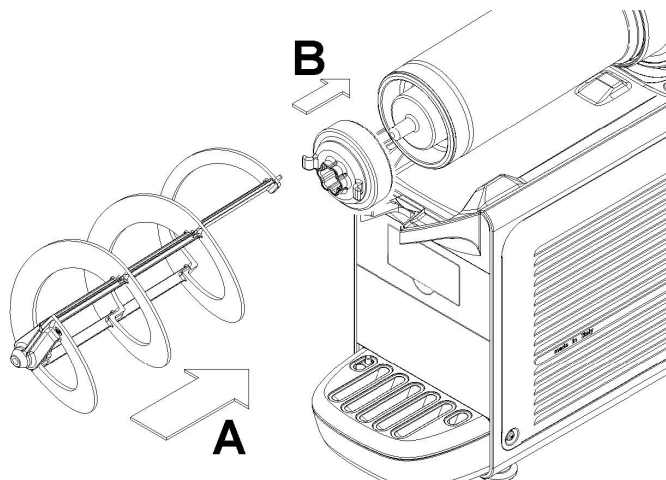


figura 43

**6** Montar de nuevo el recipiente empujándolo hacia la pared posterior, asegurándose que encaje correctamente sobre la guarnición. La palanca de bloqueo descenderá hasta apoyarse sobre la plataforma de goteo (ver figura 44).

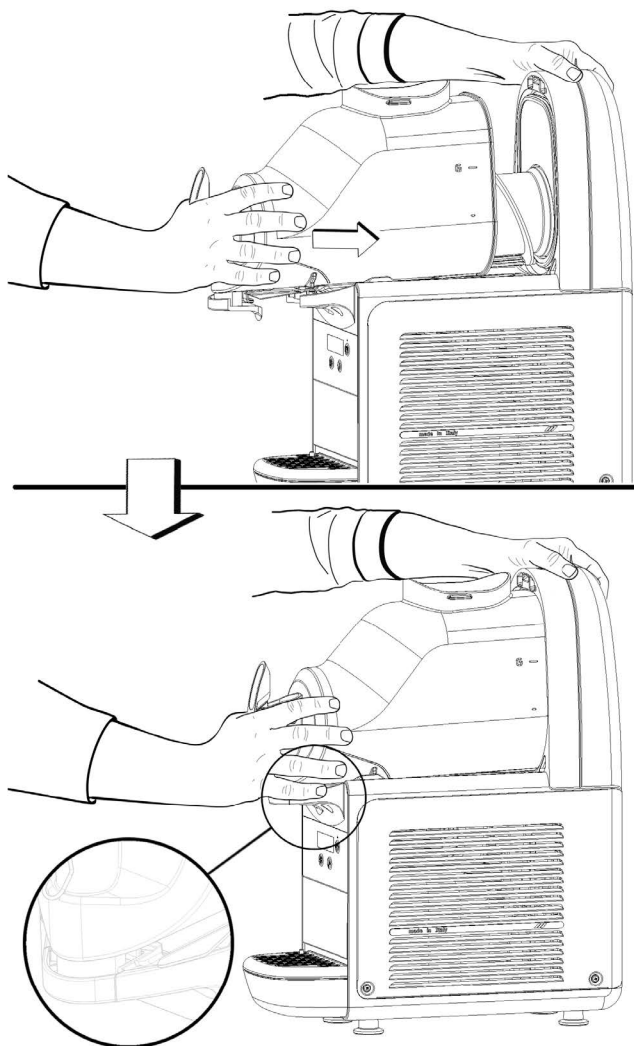


figura 44

## SBCA & SCBF

7 Enjuagar con agua limpia de forma que se elimine cualquier posible resto de solución desinfectante del fondo de los recipientes. Secar el interior de los recipientes con una servilleta de papel del tipo "usar y tirar".

### 8. 2 HIGIENIZACION DEL DISTRIBUIDOR MONTADO

La desinfección del aparato montado, precedente a su puesta en funcionamiento, se puede llevar a cabo, en caso necesario, sólo como ulterior precaución además de la desinfección del aparato desmontado descrita con anterioridad, pero nunca sustituyéndola.

1 Preparar en un barreño una solución de agua y producto desinfectante aprobado por las autoridades del propio país respetando las especificaciones del fabricante. Si no se dispone de un producto desinfectante específico, preparar una solución de agua e hipoclorito de sodio (lejía) con una proporción de 1 cucharada cada 2 litros de agua.

2 Introducir la solución en los recipientes.

3 Utilizando un cepillo adecuado, frotar la solución por todas las partes por encima del nivel de la solución y en la parte inferior de la tapa.

4 Colocar la tapa y hacer funcionar el distribuidor, para permitir que la solución se mueva, durante 2 minutos.

5 Sacar del recipiente el restrictor de flujo (ver figura 35).

6 Vaciar los recipientes de la solución desinfectante a través de los grifos de erogación y luego eliminarla.

7 Enjuagar con agua limpia para eliminar cualquier posible resto de solución desinfectante del fondo de los recipientes.

8 No efectuar otras operaciones de enjuague.

### 9 MANUTENCION

1 Cada día: controlar el distribuidor y comprobar que no presente pérdidas de producto por las juntas. Si se notan pérdidas, controlar primero de todo que los componentes del distribuidor se encuentren montados correctamente, luego comprobar que las juntas no necesiten lubricación y por último que no sean defectuosas o estén desgastadas, en tal caso será necesario sustituirlas con piezas de recambio originales del fabricante.

2 Cada mes: eliminar el polvo acumulado en el filtro del condensador situado en el lado posterior de la máquina (ver figura 45).

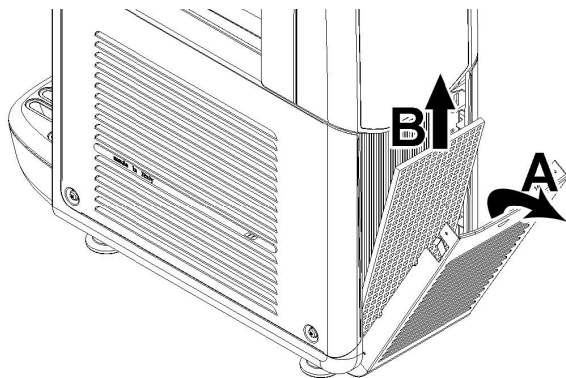


figura 45

3 En caso de ruidos anómalos, desconecte el enfriador y consulte al servicio técnico.

4 En caso de falla, desconecte la máquina para evitar su reencendido imprevisto.

5 Después de cualquier operación de reparación, vuelva a colocar todos los componentes en su posición original (por ejemplo, cárteres y tornillos).

### 9. 1 MANUTENCION (SOLAMENTE POR EL SERVICIO POSTVENTA)



#### IMPORTANTE

Para prevenir desperfectos en el distribuidor, las partes de plástico se tienen que lubricar sólo con la grasa suministrada por el fabricante o con otra grasa compatible con partes de plástico.

**CADA AÑO** : Sacar todos los paneles y limpiar el interior de la máquina, incluida la base y el interior de los paneles.

No eliminar nunca el material anti condensación situado alrededor del tubo de salida del evaporador (el tubo en cobre colocado a la derecha del motor reductor). Si dicho material no se encontrara en la máquina o se perdiera, sustituir con piezas de recambio originales del fabricante.

### 10 GARANTÍA

Para obtener información sobre la garantía, visite [www.stoeltingfoodservice.com](http://www.stoeltingfoodservice.com).



#### ATTENCION

Prestar atención a las aletas del condensador puesto que son cortantes.

