



Model E112/F112
OPERATORS MANUAL
Manual [513613](#) V13

SHAKE OR SLUSH COUNTERTOP FREEZER

Thank you for purchasing this Stoelting® product! Save this manual for reference and the packaging in case shipping is necessary.

SAFETY PRECAUTIONS

To help ensure safe use, please read and fully understand this manual and all safety messages before operation! This manual follows guidance set forth in the following industry standards: ANSI Z535.6, ASTM F760-93, ASTM F1827-13, and the FDA Food Code.

Illustrations and specifications are not binding in detail. Stoelting Foodservice Equipment reserves the right to make changes to the unit without notice, and without incurring any obligation to modify or provide new parts for units built prior to date of change.

WARNING

Warning indicates a hazardous situation which, if not avoided, could result in death or serious injury.

CAUTION

Caution indicates a hazardous situation which, if not avoided, could result in minor or moderate injury.

NOTICE: addresses practices not related to physical injury.

To reduce risk of injury or damage to the unit:

- Use only properly grounded electrical outlets matching the nameplate-rated voltage.
- Install the unit in accordance with local codes and ordinances.
- Use equipment in a level position.
- Do not use an extension cord with this equipment. Do not plug this equipment into a power strip or multi-outlet power cord.
- Unplug equipment and turn off before cleaning or moving.
- Do not spray controls or outside of unit with liquids or cleaners.
- Use only non-abrasive materials other than steel wool for cleaning.
- Keep equipment and power cord away from open flames, electric burners and excessive heat.
- Operate away from the public and children while attending unit.
- Only operate if functioning properly and undamaged.
- Genuine Stoelting replacement parts with the correct part number are strongly recommended.

For warranty information, visit stoeltingfoodservice.com.

TABLE OF CONTENTS

Section 1 - Description & Specifications

1.1	Description	1
1.2	Specifications	2

Section 2 - Installation Instructions

2.1	Safety Precautions	5
2.2	Shipment & Transit	5
2.3	Machine Installation	5

Section 3 - Initial Set-Up & Installation

3.1	Operator's Safety Precautions	7
3.2	Operating Controls & Indicators	7
3.3	Sanitizing	8
3.4	Freeze Down & Operation	9
3.5	Mix Information.....	9
3.6	Removing Mix from Machine	10
3.7	Cleaning the Machine	10
3.8	Disassembling Machine Parts	10
3.9	Cleaning Machine Parts.....	11
3.10	Sanitizing the Machine & Parts	11
3.11	Assembling the Machine	11
3.12	Routine Cleaning	12
3.13	Preventive Maintenance	12
3.14	Extended Storage.....	15

Section 4 - Troubleshooting

4.1	Light Indicators.....	17
4.2	Troubleshooting.....	17

Section 5 - Replacement Parts

5.1	Decals & Lubrication.....	19
5.2	Auger Shaft & Front Door.....	20
5.3	Hopper Parts.....	22
5.4	Autofill Options.....	23

SECTION 1 DESCRIPTION & SPECIFICATIONS

1.1 DESCRIPTION

Stoelting® E112/F112 counter machines are gravity fed. Units are equipped with fully automatic controls to provide uniform product. They will operate with almost any type of shake or frozen beverage mix.



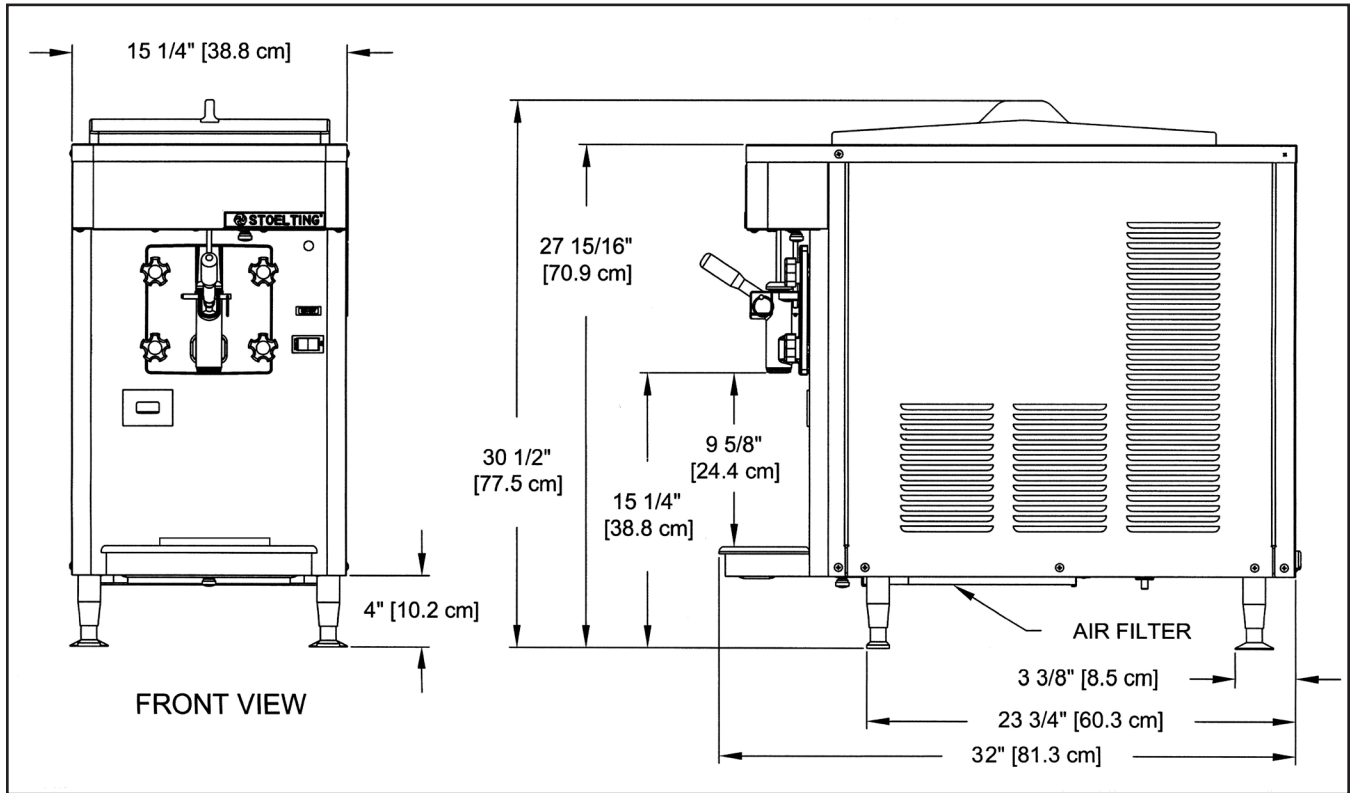
Figure 1-1 Model F112



Figure 1-1 Model E112

1.2 SPECIFICATIONS

E112



F112

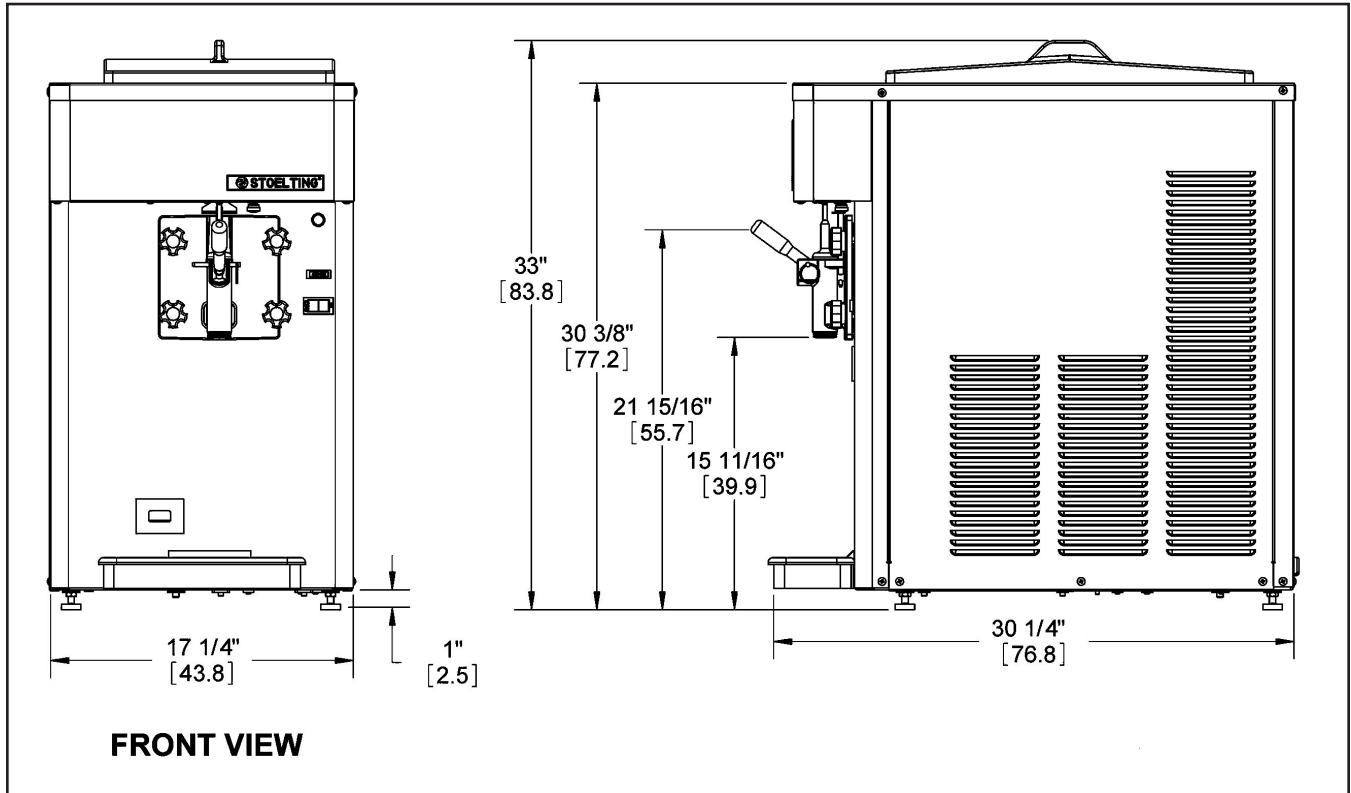


Figure 1-2 Specifications

1.2 SPECIFICATIONS - CONTINUED

	Model E112		Model F112	
Dimensions	Machine	with crate	Machine	with crate
width	15-1/4" (38,7 cm)	17-1/2" (44,5 cm)	17-1/4" (43,8 cm)	29" (73,7 cm)
height	30-1/2" (77,5 cm)	35" (88,9 cm)	33" (83,8 cm)	44" (111,8 cm)
depth	32" (81,3 cm)	36-1/2" (92,7 cm)	30-1/4" (76,8 cm)	39" (99,1 cm)
Weight	205 lbs (92,9 kg)	215 lbs (97,5 kg)	288 lbs (130,6 kg)	315 lbs (142,8 kg)
Electrical	1 Phase, 115 VAC, 60Hz		1 Phase, 208-240 VAC, 60Hz	
running amps	16A		10A Air-Cooled / 9A Water-Cooled	
connection type	NEMA5-20P power cord provided		NEMA6-15P power cord provided	
International Option	1 Phase, 220-240 VAC, 50Hz		1 Phase, 220-240 VAC, 50Hz	
Compressor	4,500 Btu/hr		8,000 Btu/hr	
Drive Motor	1/3 hp		3/4 hp	
Air Flow	Units require 3" (7.6 cm) air space on both sides or 4" (10.2 cm) air space in back for side-by-side installation.		Units require 6" (15.24 cm) air space on both sides.	
Plumbing Fittings	N/A		Water-cooled units require 3/8" N.P.T. water and drain fittings. Maximum water pressure of 130 psi. Minimum water flow rate of 3 GPM per barrel. Ideal EWT of 50°-70°F.	
Hopper Volume	3.625 gallon (13.7 liters)		5.375 gallon (20.3 liters)	
Freezing Cylinder Volume	1.25 gallon (4.7 liters)		2.125 gallon (8.0 liters)	

SECTION 2 INSTALLATION INSTRUCTIONS

2.1 SAFETY PRECAUTIONS

Do not attempt to operate the machine until the safety precautions and operating instructions in this manual are read completely and are thoroughly understood.

Take notice of all warning labels on the machine. The labels have been put there to help maintain a safe working environment. The labels have been designed to withstand washing and cleaning. All labels must remain legible for the life of the machine. Labels should be checked periodically to be sure they can be recognized as warning labels.

If danger, warning or caution labels are needed, be prepared to indicate the part number, type of label, location of label, and quantity required and call 800-319-9549 (U.S. Toll Free) or 920-894-2293 (Outside the U.S.).

2.2 SHIPMENT & TRANSIT

The machine has been assembled, operated and inspected at the factory. Upon arrival at the final destination, the entire machine must be checked for any damage which may have occurred during transit.

With the method of packaging used, the machine should arrive in excellent condition. **THE CARRIER IS RESPONSIBLE FOR ALL DAMAGE IN TRANSIT, WHETHER VISIBLE OR CONCEALED.** Do not pay the freight bill until the machine has been checked for damage. Have the carrier note any visible damage on the freight bill. If concealed damage and/or shortage is found later, advise the carrier within 10 days and request inspection. The customer must place claims for damages and/or shortages in shipment with the carrier. Stoelting cannot make any claims against the carrier.

2.3 MACHINE INSTALLATION

Installation of the machine involves moving the machine close to its permanent location, removing all crating, setting in place, assembling parts, and cleaning.

WARNING

Installation must be completed by a qualified electrician/refrigeration specialist.

Incorrect installation may cause personal injury, severe damage to the machine and will void factory warranty.

- A. Uncrate the machine.
- B. Accurate leveling is necessary for proper drainage of barrel(s) and to insure correct overrun. Place a bubble level on top of the machine at each corner to ensure it is level. If adjustment is necessary, turn the bottom part of each leg in or out.

- C. The F112 has a base gasket that must be installed. Separate the gasket and install it with the seam to the back. Make sure the angled side of the gasket is facing up.
- D. Correct ventilation is required. The E112 requires 3" clearance on both sides. If the machine is placed side-by-side next to other equipment, there needs to be at least 4" clearance at the back of the machine. The air-cooled F112 requires 6" clearance on both sides for proper air flow.
- E. Connect the drip tray bracket by loosening the two screws at the front of the machine. Install the bracket so it rests on the nylon washer between the two metal washers. Tighten the screws.

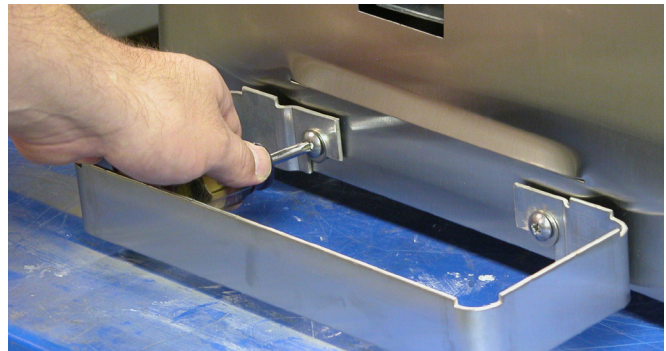


Figure 2-1 Drip Tray Bracket

- F. The machine leaves the factory with the control board set for slush. Refer to the service manual to properly set the machine for shake.
- G. Turn CLEAN-ON-OFF switch to OFF.
- H. Connect the power cord to the proper power supply. The plug on the E112 is designed for 115VAC / 20 amp duty and the plug on the F112 is designed for 208-240VAC / 15 amp duty. Check the nameplate on your machine for proper supply. The unit must be connected to a properly grounded receptacle. The electrical cord furnished as part of the machine has a three prong grounding type plug. The use of an extension cord is not recommended, if necessary use one with a size 12 gauge or heavier with ground wire. Do not use an adapter to get around grounding requirement.

WARNING

Do not alter or deform electrical plug in any way. Altering the plug to fit into an outlet of different configuration may cause fire, risk of electrical shock, product damage and will void warranty.

SECTION 3 INITIAL SET-UP & OPERATION

3.1 OPERATOR'S SAFETY PRECAUTIONS

SAFE OPERATION IS NO ACCIDENT; observe these rules:

- A. Know the machine. Read and understand the Operating Instructions.
- B. Notice all warning labels on the machine.
- C. Wear proper clothing. Avoid loose fitting garments, and remove watches, rings or jewelry that could cause a serious accident.
- D. Maintain a clean work area. Avoid accidents by cleaning up the area and keeping it clean.
- E. Stay alert at all times. Know which switch, push button or control you are about to use and what effect it is going to have.
- F. Disconnect electrical cord for maintenance. Never attempt to repair or perform maintenance on the machine until the main electrical power has been disconnected.
- G. Do not operate under unsafe operating conditions. Never operate the machine if unusual or excessive noise or vibration occurs.

3.2 OPERATING CONTROLS & INDICATORS

Before operating the machine, know the function of each operating control. Refer to Figure 3-1 for the location of the operating controls on the machine.

A. Spigot Switch



WARNING

High voltage will shock, burn or cause death. The OFF-ON switch must be placed in the OFF position prior to disassembling for cleaning or servicing. Do not operate machine with cabinet panels removed.

The spigot switch will automatically start the auger drive and refrigeration systems when the spigot is opened to dispense product. When the spigot is closed, the drive motor and compressor will remain on until the product in the freezing cylinder reaches the proper consistency..



Figure 3-1 Controls

B. CLEAN-OFF-ON Switch

The CLEAN-OFF-ON switch is used to supply power to the control circuit. When the switch is in the OFF (middle) position, power will not be supplied to the control board or refrigeration system. When the switch is in the ON position, the machine will operate in the freezing mode. When the switch is in the CLEAN position, all refrigeration will stop and the auger will start rotating.

C. ADD MIX Light

The ADD MIX light will flash to alert the operator to a low mix condition. It does so by monitoring the mix level in the hopper. When the ADD MIX light is flashing, refill hopper immediately.

NOTE

Failure to refill hopper immediately may result in operational problems.

D. Diagnostic Light

The Diagnostic Light will flash if an error occurs. The light will flash once if there is a compressor error. There will be two quick flashes if there is an auger error. And there will be three quick flashes if the machine is left in clean mode for more than 20 minutes. Refer to the troubleshooting section for details.

E. Consistency Adjustment Screw

The Consistency Adjustment Screw increases or decreases product consistency. A tension spring is connected to the screw and changes the amount of torque needed to complete a refrigeration cycle. Turn the knob clockwise to increase consistency or counterclockwise to decrease consistency.

NOTE

An additional spring is included with the machine behind the header panel. The additional spring can be installed for use with shake mixes when a higher consistency is required. Do not use the optional spring with slush mixes.

F. Front Door Safety Switch

The front door safety switch prevents the auger from turning when the front door is removed. The switch is open when the door is not in place and closed when the door is properly installed.

G. Autofill Kit - Optional (E112 Part 2183807, F112 Part 2187101)

The autofill kit is used with a pump to keep the hopper filled. The autofill kit is for use with non-potentially hazardous food substances; non-dairy. Refer to Section 5-4 for Autofill options.

H. Light Kit - Optional (E112 Part 2183800, F112 Part 2187102)

The light kit is installed behind the header panel and illuminates a translucent header panel.

I. Bottle Rack Kit - Optional (E112 Part 2187100, F112 Part 2187040 or 2187024)

The bottle rack kit is installed onto the header panel and holds 7 flavor bottles (13 bottles on the 2187024).

J. Spinner Kit - Optional (E112 Part 2187103, F112 Part 2187031)

The spinner kit is installed on the front of the machine and offers blended frozen beverages.

3.3 SANITIZING

Sanitizing must be done after the machine is cleaned and just before the hopper is filled with mix. Sanitizing the night before is not effective. However, you should always clean the machine and parts after each use.

The United States Department of Agriculture and the Food and Drug Administration require that all cleaning and sanitizing solutions used with food processing equipment be certified for this use.

When sanitizing the machine, refer to local sanitary regulations for applicable codes and recommended sanitizing products and procedures. The frequency of sanitizing must comply with local health regulations.

Mix sanitizer according to manufacturer's instructions to provide a 100 parts per million (ppm) strength solution and check the solution with chlorine test strips. Mix sanitizer in quantities of no less than 2 gallons (7.5 liters) of 90° to 110°F (32° to 43°C) water. Allow sanitizer to contact the surfaces to be sanitized for 5 minutes. Any sanitizer must be used only in accordance with the manufacturer's instructions.



Do not allow sanitizer to remain in contact with stainless steel parts for prolonged periods. Prolonged contact of sanitizer with machine may cause corrosion of stainless steel parts.

In general, sanitizing may be conducted as follows:

- A. Prepare Stera-Sheen Green Label Sanitizer or equivalent according to manufacturer's instructions to provide a 100 ppm strength solution. Mix the sanitizer in quantities of no less than 2 gallons of 90° to 110°F (32° to 43°C) water. Check the strength of the sanitizing solution. Use a chlorine test strip and color chart to make sure the solution has 100 ppm. Any sanitizer must be used only in accordance with the manufacturer's instructions.

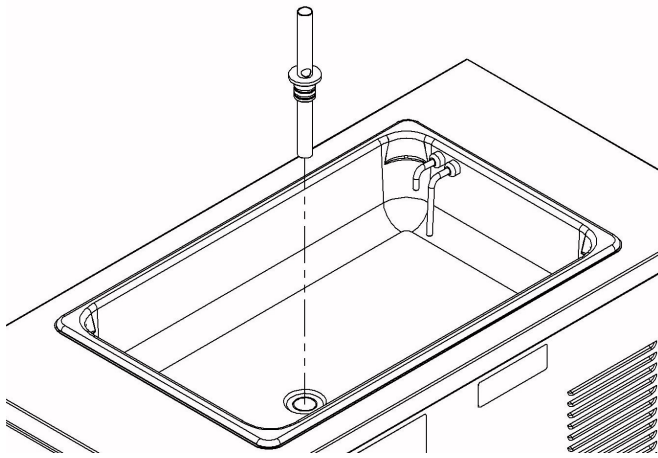


Figure 3-2 Mix Inlet Regulator

- B. If using a shake mix, place the mix inlet regulator into hopper (Refer to Figure 3-2). If using a slush mix, the mix inlet regulator is not required.
- C. Pour the sanitizing solution into the hopper and place the switch in the CLEAN position. Check for leaks.
- D. Clean sides of hopper, mix inlet regulator and underside of hopper cover using a soft bristle brush dipped in the sanitizing solution (Refer to Figure 3-3).



Figure 3-3 Sanitizing hopper

- E. After five minutes, place a bucket under the spigot and open spigot to drain most sanitizing solution. Leave a small amount of the sanitizing solution in the freezing cylinder. Place the switch in the OFF (middle) position.
- F. Collect the remaining sanitizing solution in a cup and test the chlorine contents with a new test strip. A reading of 100 ppm or more is acceptable.
If the reading is less than 100 ppm, sanitize the machine again.
If the reading is less than 100 ppm after sanitizing the second time, disassemble and wash the machine again.

3.4 FREEZE DOWN & OPERATION

This section covers the recommended operating procedures for the safe operation of the machine.

- A. Sanitize just prior to use.
- B. Place the switch in the OFF (middle) position.

NOTE

Make sure the mix inlet regulator is in place before adding shake mixes. This is not necessary for slush mixes.

- C. Pour approximately 1/2 gallon of fully thawed mix into the hopper. Open spigot and drain a small amount of mix to remove any remaining sanitizer.
- D. Fill the hopper with pre-chilled (40°F or 4°C) mix.

NOTE

Do not overfill the hopper. Mix level must be below the air inlet tube on the mix inlet regulator.

- E. Place the switch in the ON position.

NOTE

After the drive motor starts, there is a 3 or 4 second delay before the compressor starts.

- F. After 8 to 12 minutes the product will be at consistency and will be ready to serve. Freeze down time may vary depending on mix type and ambient temperatures.
- G. To dispense, pull the spigot handle down to open the spigot.
- H. The machine is designed to dispense the product at a reasonable draw rate. If the machine is overdrawn, the result is a soft product or a product that will not dispense at all. If this should occur, allow the machine to run for approximately 30 seconds before dispensing additional product.
- I. Do not operate the machine when the ADD MIX light is on. Refill the hopper immediately.

3.5 MIX INFORMATION

Mix can vary considerably from one manufacturer to another. Differences in the amount of butterfat content and quantity and quality of other ingredients have a direct bearing on the finished frozen product. A change in machine performance that cannot be explained by a technical problem may be related to the mix.

Proper product serving temperature varies from one manufacturer's mix to another. Shake and stackable slush mixes provide satisfactory product from 24° to 28°F (-4° to -2°C).

When checking the temperature, stir the thermometer in the frozen product to obtain an accurate reading.

Old mix or mix that has been stored at elevated temperatures will produce poor-quality product with a bad taste and unacceptable appearance. To retard bacteria growth in dairy based mixes, the best storage temperature range is between 33° to 38°F (0.5° to 3.3°C).

Some shake mixes tend to foam more than others. If foam appears in the hopper, skim off with a sanitized utensil and discard. Periodically, stir the mix in the hopper with a sanitized utensil to help prevent excess foam.

3.6 REMOVING MIX FROM MACHINE

To remove the mix from the machine, refer to the following steps:

- A. If removing shake mix, pull the mix inlet regulator straight up and remove it from the hopper.
- B. Place the switch in the CLEAN position to rotate the auger. Allow the mix to agitate in freezing cylinder until the mix has become liquid, about 5 minutes.
- C. Drain the liquid mix by opening the spigot. A container should be placed under the spigot to collect the liquid mix.
- D. Place the switch in the OFF (middle) position.

3.7 CLEANING THE MACHINE

NOTE

The frequency of cleaning the machine and machine parts must comply with local health regulations.


After the mix has been removed from the machine, the machine must be cleaned. To clean the machine, refer to the following steps:

- A. Close the spigot and fill the hopper with 2 gallons (8 liters) of tap water.
- B. Place the switch in the CLEAN position. The auger will start to rotate.
- C. Allow the water to agitate for approximately 30 seconds.
- D. Open the spigot to drain the water. Remember to place a container under the spigot to catch the water. When the water has drained, place the switch in the OFF (middle) position. Allow the freezing cylinder to drain completely.
- E. Prepare sanitizing solution according to manufacturer's instructions to provide a 100 ppm strength solution. Mix the sanitizer in quantities of no less than 2 gallons of 90° to 110°F (32° to 43°C) water. Check the strength of the sanitizing solution. Use a chlorine test strip and color chart to make sure the solution has 100 ppm. Repeat steps A through D using the sanitizing solution.

3.8 DISASSEMBLING MACHINE PARTS

Inspection for worn or broken parts should be made each time the machine is disassembled. All worn or broken parts should be replaced to ensure safety to both the operator and the customer and to maintain good machine performance and a quality product. Frequency of cleaning must comply with the local health regulations.

To disassemble the machine, refer to the following steps:

 CAUTION
Hazardous Moving Parts. Revolving auger shaft can grab and cause injury. Place the switch in the OFF (middle) position before disassembling for cleaning or servicing.

- A. Remove hopper cover. Remove the mix inlet regulator from the hopper (if installed).
- B. Pull out the spigot pin by its ring (Refer to Figure 3-4).

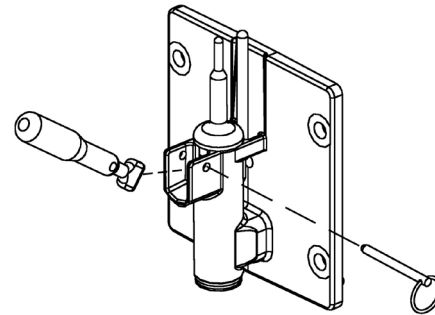


Figure 3-4 Remove Spigot Pin

- C. Remove the spigot handle.
- D. Remove front door by turning the circular knobs and then pulling door off the studs.

NOTE

When removing front door, entire door and stator assembly will come out as well.

- E. Remove torque rod from stator assembly.
- F. Remove quad ring from groove in front door.
- G. Remove stator bar. Remove O-ring and white bushing from stator bar.
- H. Remove auger support bushing.
- I. Turn the spigot body until the ice breaker bar can be removed. Remove breaker bar (Refer to Figure 3-5).
- J. Remove spigot body from the front door.

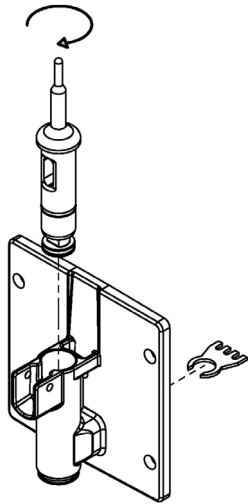


Figure 3-5 Spigot & Ice Breaker Bar Removal

- K. Remove O-rings (2) from the spigot by first wiping off the lubricant using a clean paper towel. Then squeeze the O-ring upward with a dry cloth. When a loop is formed, roll the O-ring out of the groove (Refer to Figure 3-6).
- L. Remove auger assembly from the freezing cylinder and remove auger blades.
- M. Remove rear seal and O-ring from auger.
- N. Remove drain tray, drip tray and drip tray grid.



Figure 3-6 Removing O-ring

3.9 CLEANING & SANITIZING MACHINE PARTS

Place all loose parts in a pan or container and take to the wash sink for cleaning. Local and state health codes dictate the procedure required. Some health codes require a four-sink process (pre-wash, wash, rinse, sanitize, and air-dry), while other codes require a three-sink process (without the pre-wash step). The following procedures are a general guideline only. Consult your local and state health codes for procedures required in your location.



Figure 3-7 Cleaning Freezing Cylinder

- A. Prepare Stera-Sheen or equivalent cleaner in 2 gallons of 90° to 110°F (32° to 43°C) water following manufacturers instructions.
- B. Prepare sanitizing solution according to manufacturer's instructions to provide a 100 ppm strength solution. Mix the sanitizer in quantities of no less than 2 gallons of 90° to 110°F (32° to 43°C) water. Check the strength of the sanitizing solution. Use a chlorine test strip and color chart to make sure the solution has 100 ppm.
- D. Place all parts in the cleaning solution and clean the parts with the provided brushes. Rinse all parts with clean 90° to 110°F (32° to 43°C) water. Place the parts in the sanitizing solution.
- E. Wash the hopper and freezing cylinder with the 90° to 110°F (32° to 43°C) cleaning solution and brushes provided (Refer to Figure 3-7).
- F. Clean the rear seal surfaces from the inside of the freezing cylinder with the 90° to 110°F (32° to 43°C) cleaning solution.

3.10 SANITIZE MACHINE



CAUTION

Do not allow sanitizer to remain in contact with stainless steel parts for prolonged periods. Prolonged contact of sanitizer with machine may cause corrosion of stainless steel parts.

- A. Use Stera-Sheen or equivalent sanitizing solution mixed according to manufacturer's instructions to provide 100 parts per million strength solution. Mix sanitizer in quantities of no less than 2 gallons (7.5 liters) of 90° to 110°F (32° to 43°C) water. Any sanitizer must be used only in accordance with the manufacturer's instructions.

- B. With the large brush provided, sanitize the rear of the freezing cylinder by dipping the brush in the sanitizing solution and brushing the rear of the cylinder.

3.11 ASSEMBLING THE MACHINE

To assemble the machine parts, refer to the following steps:

NOTE

Petrol Gel sanitary lubricant or equivalent must be used when lubrication of parts is specified.

NOTE

The United States Department of Agriculture and the Food and Drug Administration require that lubricants used on food processing equipment be certified for this use. Use lubricants only in accordance with the manufacturer's instructions.

- A. Assemble all O-rings onto the parts dry, without lubrication. Then apply a thin film of sanitary lubrication to the exposed surfaces of the O-rings. Also apply a thin film of sanitary lubricant to the inside and outside of the front auger support bushing, and to the inside and outside of stator support bushing.
- B. Assemble the rear seal onto the auger with the large end to the rear. Be sure the O-ring is in place before installing the rear seal (Refer to Figure 3-8).
- C. Put a small amount of spline lubricant on the hex end of the auger shaft. A small container of spline lubricant is shipped with the machine.

- D. Install the plastic auger blade onto the auger.
- E. Push the auger into the freezing cylinder and rotate it slowly until the auger engages the drive shaft.
- F. Insert the spigot body into the front door.

NOTE

Press the O-rings against the spigot body when inserting it into the front door to prevent damage.

- G. Turn the spigot body until the ice breaker bar can be inserted. Insert the breaker bar and rotate the spigot body 90°.
- H. Install the auger support bushing onto the front door so the beveled edge of the bushing is against the door.
- I. Install the white stator support bushing onto the rear of the stator bar and insert stator into spigot.
- J. Insert the torque rod. The rod should be placed through the hole in the stator bar.
- K. Install the front door onto the machine.

NOTE

When installing the door onto the machine, the torque rod must be placed in the center of the metal torque actuator arm

- L. Install the knobs on the machine studs.
- M. Look for the proper seal between the freezing cylinder, quad ring, and front door

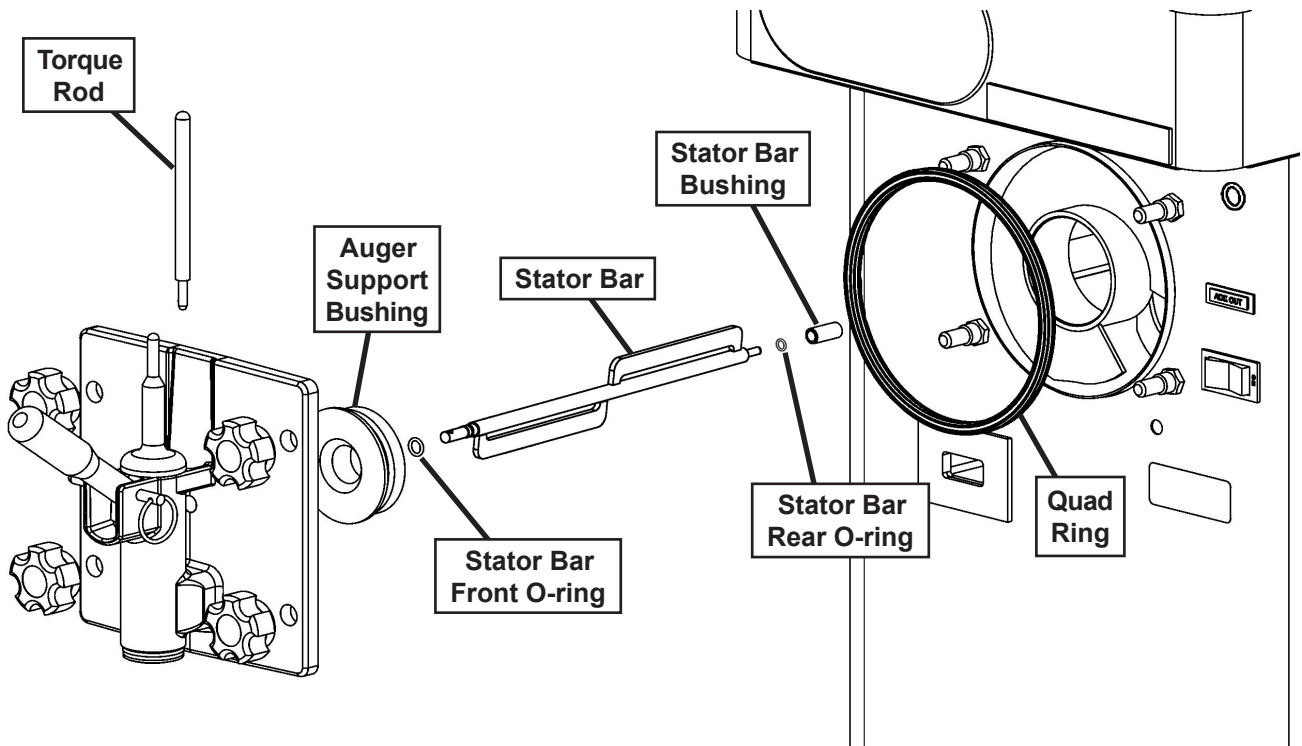


Figure 3-9 Door and Stator Assembly



CAUTION

Do not place the mix inlet regulator into the hopper before installing the auger. Attempting to install the auger with the mix inlet regulator in place will damage the regulator.

- N. Insert the spigot handle so the hole lines up and insert the spigot pin.
- O. Install the mix inlet regulator into the hopper if using shake mix. If using slush mix, the mix inlet regulator is not required.
- P. Install the hopper cover, drain tray, drip tray, and drip tray grid.

3.12 ROUTINE CLEANING

To remove spilled or dried mix from the machine exterior, wash in the direction of the finish with warm soapy water and wipe dry. Do not use highly abrasive materials as they will mar the finish.

3.13 PREVENTIVE MAINTENANCE

Stoelting recommends that a maintenance schedule be followed to keep the machine clean and operating properly.

CLEANING & SANITIZING INFORMATION

Special consideration is required when it comes to food safety and proper cleaning and sanitizing.

The following information has been compiled by Purdy Products Company, makers of Stera-Sheen Green Label Cleaner/Sanitizer and specifically covers issues for cleaning and sanitizing frozen dessert machines. This information is meant to supplement a comprehensive food safety program.

SOIL MATERIALS ASSOCIATED WITH FROZEN DESSERT MACHINES

MILKFAT/BUTTERFAT – As components of ice-cream/frozen custard mix, these soils will accumulate on the interior surfaces of the machine and its parts. Fats are difficult to remove and help attribute to milkstone build-up.

MILKSTONE – Is a white/gray film that forms on equipment and utensils that come in contact with dairy products. These films will accumulate slowly on surfaces because of ineffective cleaning, use of hard water, or both. Milkstone is usually a porous deposit, which will harbor microbial contaminants and eventually defy sanitizing efforts.

Once milkstone has formed, it is very difficult to remove. Without using the correct product and procedure, it is nearly impossible to remove a thick layer of milkstone. (NOTE: general-purpose cleaners DO NOT remove milkstone.) This can lead to high bacteria counts and a food safety dilemma.

IT IS BEST TO CONTROL MILKSTONE ON A DAILY BASIS BEFORE IT CAN BECOME A SIGNIFICANT FOOD SAFETY PROBLEM.

In addition to food safety, milkstone can cause premature wear to machine parts which can add to costs for replacement parts or possibly more expensive repairs if worn machine parts are not replaced once they have become excessively worn.

IMPORTANT DIFFERENCES BETWEEN CLEANING & SANITIZING

CLEANING vs. SANITIZING

It is important to distinguish between cleaning and sanitizing. Although these terms may sound synonymous, they are not. BOTH are required for adequate food safety and proper machine maintenance.

CLEANING

- Is the removal of soil materials from a surface.
- Is a prerequisite for effective sanitizing.

NOTE

An UNCLEAN surface will harbor bacteria that can defy sanitizing efforts.

Bacteria can develop and resist sanitizing efforts within a layer of soil material (milkstone). Thorough cleaning procedures that involve milkstone removal are critical for operators of frozen dessert machines.

SANITIZING

- Kills bacteria.
- Can be effective on clean surfaces only.

NOTE

Using a SANITIZER on an unclean surface will not guarantee a clean and safe frozen dessert machine.

PROPER DAILY MAINTENANCE: THE ONLY WAY TO ASSURE FOOD SAFETY AND PRODUCT QUALITY

Proper daily maintenance can involve a wide variety of products and procedures. Overall, products and procedures fall into three categories. (Please note that this is a brief overview intended for informational purposes only.)

1. **CLEANING** – This involves draining mix from the freezing cylinder and rinsing the machine with water. Next, a cleaner is run through the machine. Then, the machine is disassembled and removable parts are cleaned in the sink.
2. **MILKSTONE REMOVAL** – Since almost all cleaners do not have the ability to remove milkstone, the use of a delimer becomes necessary. Although this procedure may not be needed on a daily basis, it will usually follow the cleaning procedure. It requires letting a delimer solution soak in the machine for an extended period of time. Individual parts are also soaked in a deliming solution for an extended period of time (more about delimers in Additional Information).

3. **SANITIZING** – After the machine has been cleaned and contains no milkstone, the machine is reassembled. Then a FDA-approved sanitizing solution is run through the machine to kill bacteria. The machine is then ready for food preparation.

As a recommended cleaner and sanitizer for your frozen dessert machine, STERA-SHEEN has proven to be one of the best daily maintenance products for:

- **CLEANING** – Thorough removal of all solids including butterfat and milk fat.
- **MILKSTONE REMOVAL** – Complete removal of milkstone.
- **SANITIZING** – FDA-approved no rinse sanitizer for food contact surfaces.

ADDITIONAL INFORMATION

THE USE OF DELIMERS

A delimer is a strong acid that has the ability to dissolve milkstone. This type of chemical may become necessary once high levels of milkstone have developed. While these products are very effective for removing HIGH levels of milkstone, they are not ideal for two reasons:

1. **PRODUCT SAFETY** – Strong acids are dangerous chemicals and handling them requires safety
2. **MACHINE DAMAGE** – Strong acids will attack metal and rubber causing premature wear of parts. The use of a delimer needs to be closely monitored to avoid damage to machine surfaces and parts.

With proper daily use of STERA-SHEEN or its equivalent, there is no need for the use of a DELIMER.

DO NOT USE BLEACH

- **BLEACH HAS ABSOLUTELY NO CLEANING PROPERTIES.**
- **BLEACH IS CORROSIVE.** It can and will damage components of the machine causing premature wear and metal corrosion.

GENERAL PURPOSE CLEANERS

General purpose cleaners do not have the ability to remove milkstone. Milkstone will become a problem if not remedied with additional products and procedures.

THE USE OF CHLORINE TEST STRIPS

“Test strips” are used to determine concentrations of active chlorine in sanitizing solutions. To use the strips, tear off a small portion and submerge it into the sanitizing solution. Then, compare the color change to the color key on the side of the test strip dispenser to determine the approximate chlorine concentration.

The ideal concentration of chlorine needs to be 100 ppm (as stated by the FDA).

NOTE

Follow the directions on the container for proper concentration.

There are two main factors that contribute to falling chlorine concentrations in a sanitizing solution.

1. **PRODUCT USE** – As the chlorine in the solution is being used, chlorine concentrations fall.
2. **TIME** – As time passes, small amounts of chlorine “evaporate” from the solution. (That is why you can smell it.)

Sanitizing solutions should not be allowed to fall below 100 ppm chlorine. New solutions should be mixed once old solutions become ineffective

B. DAILY

1. The exterior should be kept clean at all times to preserve the luster of the stainless steel. A mild alkaline cleaner is recommended. Use a soft cloth or sponge to apply the cleaner.

C. WEEKLY

1. Check O-rings and rear seal for excessive wear and replace if necessary.
2. Remove the drip tray by gently lifting up to disengage from the support and pulling out. Clean behind the drip tray and front of the machine with a soap solution.

D. QUARTERLY

Air Cooled

The air-cooled condenser is a copper tube and aluminum fin type. Condensing is totally dependent upon airflow. A plugged condenser filter, condenser, or restrictions in the louvered panel will restrict airflow. This will lower the capacity of the system and damage the compressor.

The condenser must be kept clean of dirt and grease. The F112 must have a minimum of 6” (15.2 cm) ventilation on the right and left sides of the unit for free flow of air. The E112 must have 3” (7.6 cm) ventilation. Make sure the machine is not pulling over 100° F (37° C) air from other equipment in the area.

The condenser and condenser filter require periodic cleaning. To clean, refer to the following procedures.

E112 Air Cooled Condenser Cleaning

- A. Unscrew the knob located on the underside of the machine towards the front (Fig. 3-10).
- B. Remove the filter bracket and remove the filter.
- C. Visually inspect the condenser filter for dirt.
- D. If the filter is dirty, vacuum or brush clean, rinse with clean water and allow to dry before replacing on the machine.

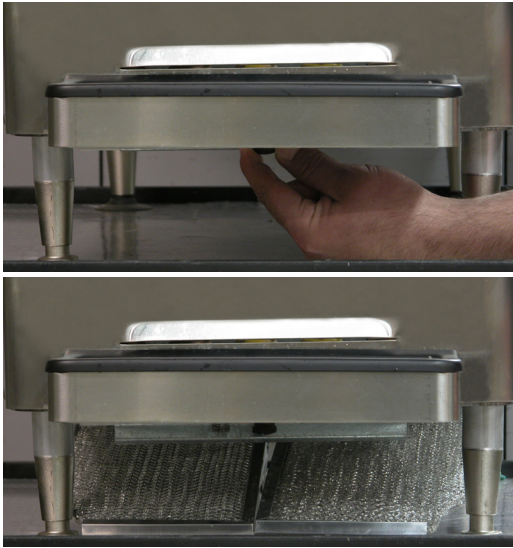


Figure 3-10 E112 Condenser Filter Removal

NOTE

If the condenser is not kept clean, refrigeration efficiency will be lost.

F112 Air Cooled Condenser Cleaning

- A. Remove the Phillips head screws from the bottom of the right side panel, and then slide the panel down and out.
- B. To remove the condenser filter, grasp the top and pull off. Visually inspect it for dirt. If the filter is dirty, shake or brush excess dirt off the filter and wash it in warm, soapy water. Once the filter is clean rinse thoroughly in warm, clear water and shake dry, taking care not to damage the filter in any way (Fig. 3-11).



Figure 3-11 F112 Condenser Filter Removal

- C. Visually inspect the condenser for dirt by shining a light through the coil from the back (inside) of the condenser.
- D. If the condenser is dirty, place a wet towel over the front (outside) of the condenser.
- E. Using a vacuum, carefully clean the condenser coil from the inside and outside of the machine. A stiff bristled brush may help in releasing debris from between the condenser coils.

Water Cooled (F112 only)

The water-cooled condenser is a tube and shell type. The condenser needs a cool, clean supply of water to properly cool the machine. Inlet and discharge lines must be 3/8" I.D. minimum. Make sure the machine is receiving an unrestricted supply of cold, clean water.

E. SEMI-ANNUALLY

- 1. Disconnect the machine from the power source.
- 2. Use a Burroughs Belt Tension Gauge to set tension for the drive belt. Set the belt tension on the E112 to 5-15 lbs and on the F112 to 30-40 lbs.
- 3. Lubricate the condenser fan motor with S.A.E. 20 weight oil. Three to six drops are required.

3.14 EXTENDED STORAGE

Refer to the following steps for storage of the machine over any long period of shutdown time:

- A. Place the CLEAN-OFF-ON switch in the OFF (middle) position.
- B. Disconnect (unplug) from the electrical supply source.
- C. Clean all parts that come in contact with mix thoroughly with a warm water cleaning solution. Rinse in clean water and dry parts. Do not sanitize.

NOTE

Do not let the cleaning solution stand in the hopper or in the freezing cylinder during the shutdown period.

- D. Remove, disassemble and clean the front door, mix inlet regulator and auger parts.
- E. In a water cooled machine, disconnect the water lines and drain water. With a flathead screwdriver, hold the water valve open and use compressed air to clear the lines of any remaining water.

SECTION 4 TROUBLESHOOTING

4.1 LIGHT INDICATORS

The machine has two lights that will alert the user if a problem occurs: an ADD MIX light and a Diagnostic Light.

The ADD MIX light will flash to alert the operator to a low mix condition. It does so by monitoring the mix level in the hopper. When the ADD MIX light is flashing, refill hopper immediately.

The Diagnostic Light will flash if an error occurs. Refer to the chart below for details.

Indication	On	One Blink	Two Blinks	Three Blinks
Conditions	Defrost Mode	Torque is not met after 20 minutes (22 minutes for shake)	Drive current is not sensed	Machine left in clean mode for over 20 minutes
Self Correction	N/A	N/A	The machine attempts to sense drive current with a 3 second pre-stir. If current is sensed, the machine will return to normal operation. If current is not sensed, the machine will wait 7 minutes and try to sense current with another 3 second pre-stir. After the third attempt, the compressor will run on timers.	N/A
Operation	Every 7 minutes the auger will run for 90 seconds.	Timers or until torque switch remains closed for 3 seconds.	Timers	Off
Corrective Action	N/A	Contact Service Technician	Contact Service Technician	Turn CLEAN-OFF-ON switch to OFF (middle) position then turn the switch to ON.

4.2 TROUBLESHOOTING

PROBLEM	POSSIBLE CAUSE	REMEDY
Machine does not run.	<ol style="list-style-type: none"> 1. Power to machine is off. 2. Blown fuse or tripped circuit. 3. Freeze-up (auger will not turn). 4. High pressure cut-out tripped. 5. Front door not in place. 	<ol style="list-style-type: none"> 1. Supply power to machine. 2. Replace or reset. 3. Turn CLEAN-OFF-ON switch to OFF (middle) position for 15 minutes, then restart. 4. Wait until automatic reset for machine to start. 5. Assemble front door in place.
Machine will not shut off.	<ol style="list-style-type: none"> 1. Drive belt failure. 2. Consistency temperature setting is too firm. 3. Refrigeration problem. 	<ol style="list-style-type: none"> 1. Replace drive belt. 2. Turn Consistency Adjustment knob counter-clockwise. 3. Check system. (Call distributor for service)
Product is too firm.	<ol style="list-style-type: none"> 1. Consistency temperature setting is too firm. 	<ol style="list-style-type: none"> 1. Turn Consistency Adjustment knob counter-clockwise.

4.2 TROUBLESHOOTING - CONTINUED

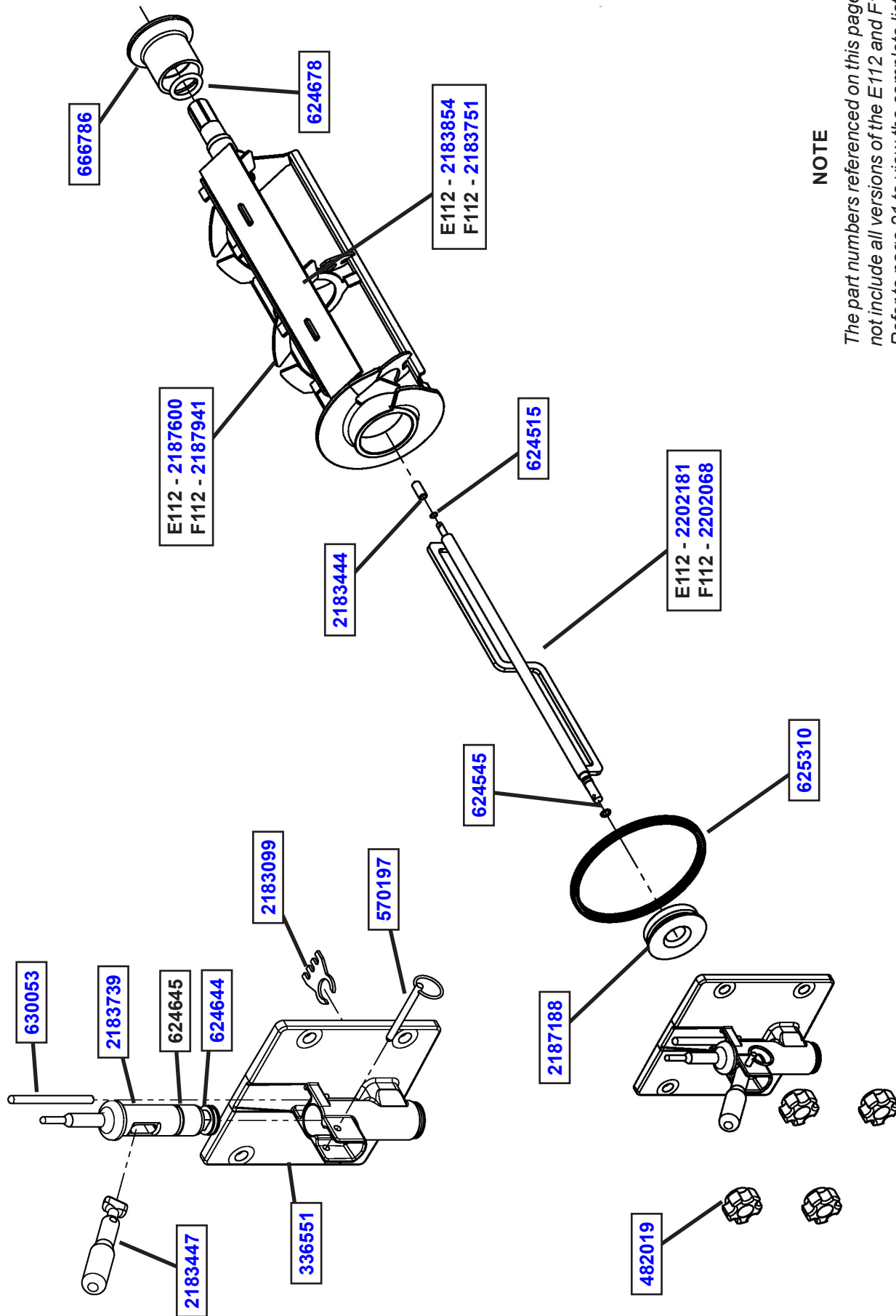
PROBLEM	POSSIBLE CAUSE	REMEDY
Product is too soft.	<ol style="list-style-type: none"> 1. No vent space for free flow of cooling air. 2. Air temperature entering condenser is above 100°F. 3. Condenser is dirty. 4. Consistency setting too soft. 5. Stabilizers in mix are broken down. 6. Auger is assembled incorrectly. 7. Refrigeration problem. 	<ol style="list-style-type: none"> 1. A minimum of 6" of vent space required (E112 - 3"). (See Section 2) 2. Change location or direct hot air away from machine. 3. Clean. (See Section 3) 4. Turn Consistency Adjustment knob clockwise. 5. Remove mix, clean, sanitize and freeze down with fresh mix. 6. Remove mix, clean, reassemble, sanitize and freeze down. 7. Check system. (Call distributor for service)
Product does not dispense.	<ol style="list-style-type: none"> 1. No mix in hopper. 2. Mix inlet regulator tube is plugged. 3. Drive motor overload tripped. 4. Drive belt failure. 5. Freeze-up (Auger will not turn). 	<ol style="list-style-type: none"> 1. Fill hopper with mix. 2. Unplug, using small sanitized brush. 3. Wait for automatic reset. (If condition continues, call distributor for service.) 4. Replace drive belt. 5. Turn CLEAN-OFF-ON switch to OFF (middle) position for 15 minutes, then restart.
Drive belt slipping or squealing.	<ol style="list-style-type: none"> 1. Worn drive belt. 2. Freeze-up (Auger will not turn). 3. Not tensioned properly 	<ol style="list-style-type: none"> 1. Replace drive belt. 2. Turn CLEAN-OFF-ON switch to OFF (middle) position for 15 minutes, then restart. 3. Adjust belt tension
Low overrun.	<ol style="list-style-type: none"> 1. Auger is assembled incorrectly. 2. Mix inlet regulator missing. 3. Mix inlet regulator o-ring missing. 4. Mix inlet regulator air tube blocked. 5. Product breakdown. 	<ol style="list-style-type: none"> 1. Remove mix, clean, sanitize, and freeze down with fresh mix. 2. Replace mix inlet regulator. 3. Replace mix inlet regulator o-ring. 4. Clean with sanitized brush. 5. Fill machine with fresh product.
Rear auger seal leaks.	<ol style="list-style-type: none"> 1. Outside surface of rear auger seal is lubricated. 2. Rear seal missing or damaged. 3. Seal o-ring missing, damaged or installed incorrectly. 4. Worn or scratched auger shaft. 	<ol style="list-style-type: none"> 1. Clean lubricant from outside of rear seal, lubricate inside of seal and reinstall. 2. Check or replace. 3. Check. or replace. 4. Replace auger shaft.
Front door leaks.	<ol style="list-style-type: none"> 1. Front door knobs are loose. 2. Spigot parts are not lubricated. 3. Chipped or worn spigot o-rings. 4. O-rings or spigot installed wrong. 5. Inner spigot hole in front door nicked or scratched. 	<ol style="list-style-type: none"> 1. Tighten knobs. 2. See Section 3. 3. Replace o-rings. 4. Remove spigot and check o-ring. 5. Replace front door.

SECTION 5 REPLACEMENT PARTS

5.1 DECALS & LUBRICATION

Part	Description	Quantity	
		E112	F112
208135	Brush—4" X 8" X 16" (Barrel)	1	1
208380	Brush—1/4" X 3" X 14"	1	1
208401	Brush—1" X 3" X 10"	1	1
324105	Decal—Caution Electrical Shock	1	1
324106	Decal—Caution Electrical Wiring Materials	1	1
324107	Decal—Caution Hazardous Moving Parts	1	1
324141	Decal—Caution Rotating Blades	1	1
324208	Decal—Attention Refrigerant Leak Check	1	1
324393	Decal—Stoelting Swirl Logo	1	1
324509	Decal—Cleaning Instructions	1	1
324548	Decal—Adequate Ventilation 6"		1
324566	Decal—Wired According To	1	1
324584	Decal—Adequate Ventilation 3"	1	
324686	Decal—Danger Automatic Start	1	1
324804	Decal—Domed Stoelting Swirl (Header Panel)	1	1
324852	Decal—Clean Condenser Filter	1	
324864	Decal—A&W Logo	-	-
324865	Decal—Standby Light	1	1
508048	Lubricant—Spline (2 oz Squeeze Tube)	1	1
508135	Petrol Gel—4 oz Tube	1	1

5.2 AUGER SHAFT & FRONT DOOR



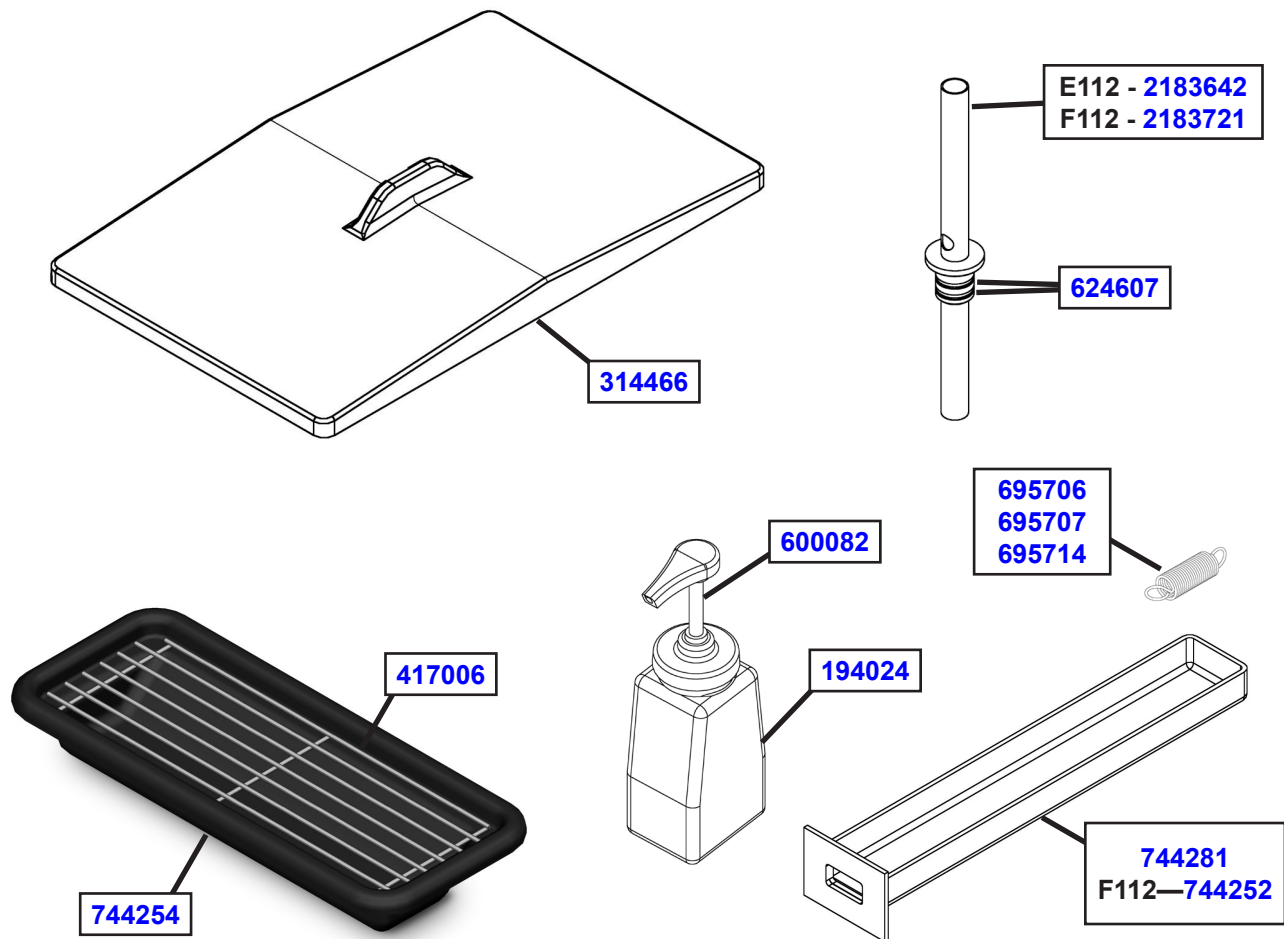
NOTE

The part numbers referenced on this page do not include all versions of the E112 and F112. Refer to page 21 to view the complete listing.

5.2 AUGER SHAFT & FRONT DOOR - CONTINUED

Part	Description	Quantity	
		E112	F112
162165	Blade—Scrapper (E112 Ser. #22768 - #23376)	2	
336546	Door—Front (E112 - Ser. #0 - #23494)	1	
336551	Door—Front (E112 - Ser. #23495 Plus) (F112 - All)	1	1
482019	Knob—Front Door (Black)	4	4
570197	Pin—Cotterless Clevis (Front Door)	1	1
624515-5	O-Ring—Stator Bar Rear (5 Pack)	1	1
624545-5	O-Ring—Stator Bar Front (5 Pack)	1	1
624644-5	O-Ring—Spigot Body (Bottom) (5 Pack)	1	1
624645-5	O-Ring—Spigot Body (Top) (5 Pack)	1	1
624678-5	O-Ring—Rear Seal—Black (5 Pack)	1	1
625310	Quad-Ring—Front Door—Black	1	1
630053	Rod—Torque Actuator	1	1
666786	Seal—Rear Auger—Black	1	1
2183099	Breaker Bar—Spigot Body	1	1
2183100	Blade—Scrapper (E112 - Ser. #0 - #22767)	2	
2183444	Bushing—Stator Support (Rear)	1	1
2183446	Spigot Body (E112 - Ser. #0 - #23197)	1	1
2183447	Handle Only—Spigot	1	1
2183449	Bushing—Front Auger Support (F112 - Ser. #0 - #25280)	1	1
2183645	Rod Actuator—Spigot (E112 - Ser. #0 - #22767)	1	
2183739	Spigot Body (E112 Ser. #23198 Plus) (F112 All)	1	1
2183751	Blade—Scrapper	1	1
2183854	Blade—Scrapper (E112 - Ser. #23377 Plus)	1	
2187188	Bushing—Front Auger Support (E112 All) (F112 Ser. #25281 Plus)	1	1
2187225	Auger Shaft (F112 Ser. #0 - #25280)	1	1
2187600	Auger Shaft	1	
2187941	Auger Shaft	1	1
2202068	Stator Bar	1	1
2202181	Stator Bar	1	1

5.3 HOPPER PARTS



Part	Description	Quantity	
		E112	F112
194024	Bottle—Flavor (Plastic)	-	-
314466	Cover Hopper (E112 - Non LJS) (F112—Non Auto Fill)	1	1
417006	Grid—Drip Tray, Metal (for 744254 Tray)	1	1
20328	Grid—Drip Tray, (for 30302 Tray)	1	1
600082	Pump—Flavor (Plastic Bottle)	-	-
624607-5	O-Ring—Mix Inlet (5 Pack)	2	2
695706	Spring—Consistency Adjustment, Green	1	
695707	Spring—Consistency Adjustment, Yellow	1 (shake only)	1
695714	Spring—Consistency Adjustment, Red (shake only)		1
744252	Tray—Drain (18 3/8" Long)		1
30302	Tray—Drip (SF112-38-ZX1)		1
744254	Tray—Drip (E112 - Ser. #24587 Plus) (F112—All)	1	1
744273	Tray—Drip (E112 - Ser. #0 - #24586)	1	
744281	Tray—Drain (Front) (12 3/4" Long)	1	1
744601	Tray—Drain (Rear)	1	
2177315	Cover—Hopper (E112—LJS) (F112—Auto Fill Kit)	-	-
2177316	Clip—Retaining (Mix Inlet) (Auto Fill Kit)		-
2177317	Mix Inlet Assembly (Auto Fill Kit)		-
2183642	Mix Inlet Assembly	1	
2183721	Mix Inlet Assembly		1
2187039	Rack—Flavor Bottle (F112)		-
2187041	Rack - Flavor Bottle (E112)	-	
2187918	Mix Inlet Assembly (LJS)		-
2187919	Clip - Retaining (Mix Inlet) (LJS)		-

5.4 AUTOFILL OPTIONS

The E112 and F112 machines can easily be configured to use an Autofill System. The Autofill System provides a constant supply of non-dairy mix to the machine.

AUTOFILL KIT

An autofill kit is needed to use an Autofill System. The kit includes a solenoid, tubing, and a new hopper cover (the F112 also includes a transformer). See below for the Autofill Kit part numbers.

AUTOFILL SYSTEMS

There are two Autofill Systems available: the Fill-O-Matic II and the Fill-O-Matic III. See below for details on the Autofill Systems.

Fill-O-Matic II

The Fill-O-Matic II is powered through an electrical outlet and pumps up to 60 gallons per hour.

Fill-O-Matic III

The Fill-O-Matic III is powered by gas and pumps up to 45 gallons per hour.



Fill-O-Matic II & Fill-O-Matic III

Fill-O-Matic II	
Part Numbers	Autofill System: 4177349 E112 Autofill Kit: 2183807 F112 Autofill Kit: 2187101
Usage	For use with non-potentially hazardous food substances; non-dairy
Dimensions	L 11-1/2" x W 11-1/2" x H 32-1/2"
Electrical	115VAC 60Hz 15A power cord provided
Mix Storage	15 gallon plastic tank
Clean Process	Removable strainer allows for easy cleaning
Output	Pumps up to 60 gallons per hour

Fill-O-Matic III	
Part Numbers	Autofill System: 4177370 E112 Autofill Kit: 2183807 F112 Autofill Kit: 2187101
Usage	For use with non-potentially hazardous food substances; non-dairy
Dimensions	L 11-1/2" x W 11-1/2" x H 27-1/2"
Electrical	No electrical connections required Powered by CO ₂ , Nitrogen or compressed air
Mix Storage	15 gallon plastic tank
Clean Process	Clean-in-place by pumping solution through hoses
Output	Pumps up to 45 gallons per hour



Modèle E112/F112
MANUEL DE
L'OPÉRATEUR

Manuel N° [513613](#)

V12

DISTRIBUTEUR DE MILKSHAKE ET DE GRANITÉ DE COMPTOIR

Merci d'avoir acheté ce produit Stoelting® ! Conservez ce manuel pour référence ultérieure et gardez l'emballage d'origine si une réexpédition s'avère nécessaire.

CONSIGNES DE SÉCURITÉ

Pour garantir une utilisation en toute sécurité, lisez attentivement ce manuel et tous les messages de sécurité avant de mettre en service l'appareil ! Ce manuel respecte les recommandations des normes industrielles suivantes : ANSI Z535.6, ASTM F760-93, ASTM F1827-13 et le code alimentaire de la FDA

Les illustrations et les spécifications ne sont pas contractuelles. Stoelting Foodservice Equipment se réserve le droit d'apporter des modifications à l'appareil sans préavis et sans obligation de modifier ou de fournir de nouvelles pièces pour les appareils construits avant la date de modification.



AVERTISSEMENT

Un message Avertissement indique une situation dangereuse qui, si elle n'est pas évitée, risque de se solder par la mort ou des blessures graves.



PRÉCAUTION

Un message Attention indique une situation dangereuse qui, si elle n'est pas évitée, peut entraîner des blessures légères ou de gravité modérée.

AVIS : porte sur des pratiques n'entraînant pas de blessures physiques.

Pour réduire le risque de blessures et de dommages sur l'appareil :

- N'utilisez que des prises électriques correctement mises à la terre et correspondant à la tension indiquée sur la plaque signalétique.
- Installer la machine conformément aux codes et réglementations locaux.
- Utiliser la machine sur une surface horizontale.
- N'utilisez pas de rallonge électrique avec cet appareil. Ne branchez pas cet appareil sur une barrette d'alimentation ou un cordon d'alimentation à prises multiples.
- Débranchez l'appareil et éteignez-le avant de le nettoyer ou de le déplacer.
- Ne pas vaporiser des liquides ou des produits d'entretiens sur les commandes ou l'extérieur de la machine.
- Pour le nettoyage, n'utilisez que des matériaux non abrasifs, tels que la paille de fer.
- Tenir la machine et le cordon d'alimentation à l'écart de flammes nues, de brûleurs électriques et de toute chaleur excessive.
- Ne pas laisser le public et les enfants s'approcher de la machine lorsqu'elle fonctionne.
- N'utilisez la machine que si elle est en bon état de marche et pas endommagé.
- Il est fortement recommandé d'utiliser des pièces de rechange d'origine, Stoelting, portant le numéro adéquat de pièce.
- Pour des informations sur la garantie, visitez le site stoeltingfoodservice.com.

TABLE DES MATIÈRES

Section 1 - Description et Spécifications

1.1	Description	1
1.2	Spécifications	2

Section 2 - Instructions d'Installation

2.1	Consignes de Sécurité.....	5
2.2	Expédition et Transit	5
2.3	Machine Installation	5

Section 3 - Configuration initiale et Installation

3.1	Consignes de Sécurité pour l'Opérateur	7
3.2	Commandes et Indicateurs de Fonctionnement	7
3.3	Désinfection.....	8
3.4	Réfrigération et Fonctionnement	9
3.5	Informations relatives au Mélange.....	9
3.6	Retrait du Mélange de la Machine	10
3.7	Nettoyage de la Machine	10
3.8	Démontage des Composants de la Machine.....	10
3.9	Nettoyage des Composants de la Machine...11	
3.10	Désinfection de la Machine et des Composants.....	11
3.11	Montage de la Machine	11
3.12	Procédure de Nettoyage.....	12
3.13	Maintenance Préventive.....	12
3.14	Stockage longue Durée.....	15

Section 4 - Dépannage

4.1	Indicateurs lumineux	17
4.2	Dépannage	17

Section 5 - Pièces de Rechange

5.1	Autocollants et Lubrification.....	19
5.2	Vis sans fin et Porte avant.....	20
5.3	Pièces de la trémie	22
5.4	Option de Remplissage automatique	23

CHAPITRE 1 DESCRIPTION ET SPÉCIFICATIONS

1.1 DESCRIPTION

Les appareils de comptoir Stoelting® E112/F112 sont alimentés par gravité. Les appareils sont équipés de commandes entièrement automatiques afin de fournir un produit homogène. Ils fonctionnent avec presque tous les types de milkshakes et de boissons gelées.



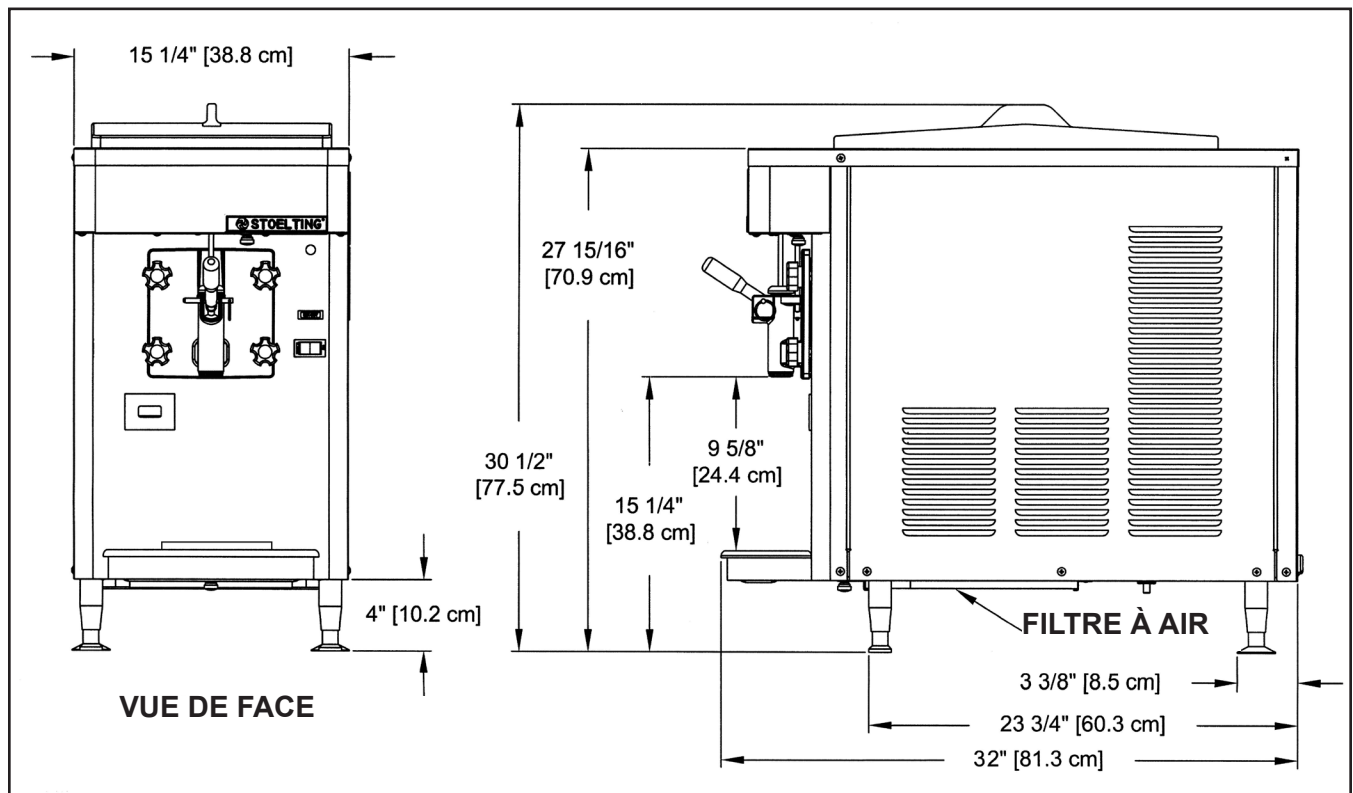
Figure 1-1 Modèle E112



Figure 1-1 Modèle F112

1.2 SPÉCIFICATIONS

E112



F112

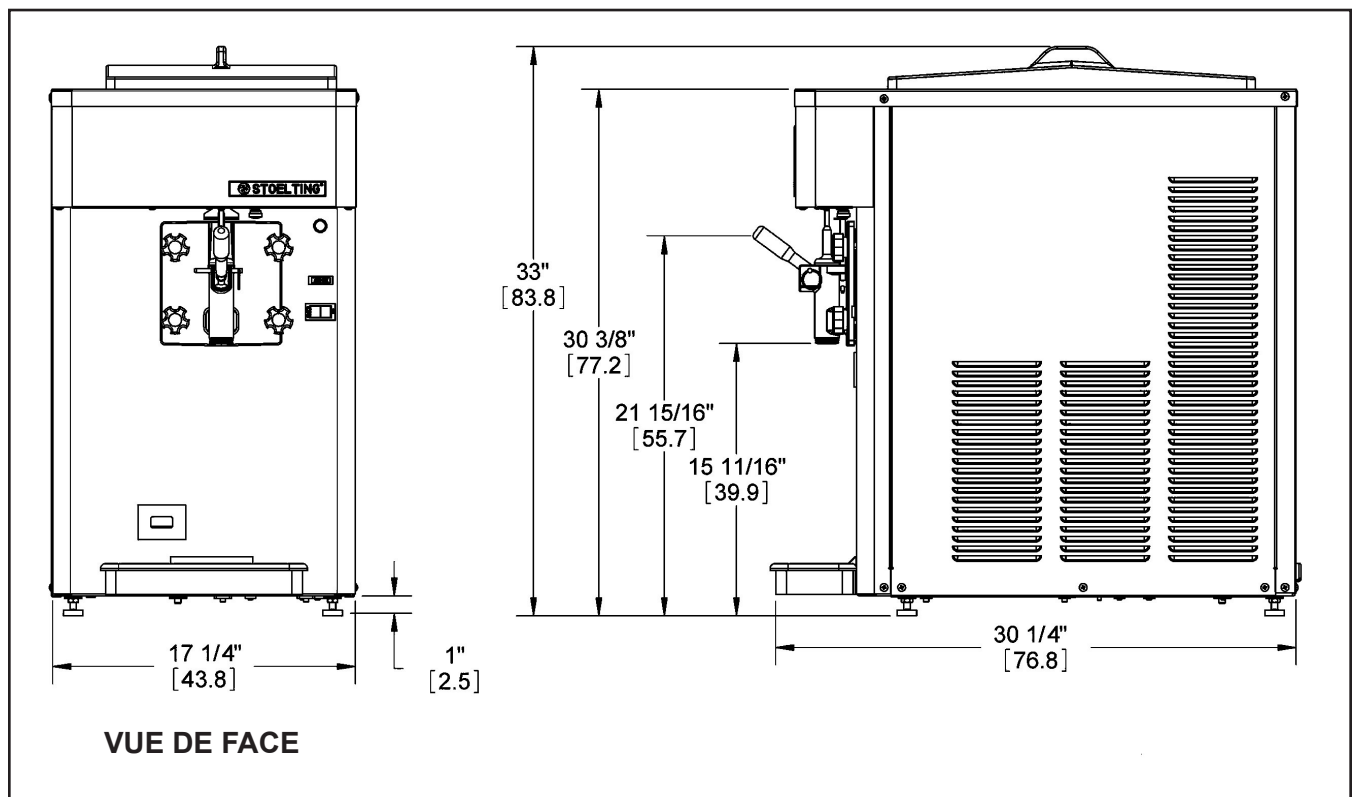


Figure 1-2 Spécifications

1.2 SPÉCIFICATIONS - SUITE

	Modèle E112		Modèle F112	
Dimensions	Machine	avec caisse	Machine	avec caisse
largeur	15-1/4 po (38,7 cm)	17-1/2 po (44,5 cm)	17-1/4 po (43,8 cm)	29 po (73,7 cm)
hauteur	30-1/2 po (77,5 cm)	35 po (88,9 cm)	33 po (83,8 cm)	44 po (111,8 cm)
profondeur	32 po (81,3 cm)	36-1/2 po (92,7 cm)	30-1/4 po (76,8 cm)	39 po (99,1 cm)
Poids	205 lbs (92,9 kg)	215 lbs (97,5 kg)	288 lbs (130,6 kg)	315 lbs (142,8 kg)
Électricité	1 phase, 115 V[~], 60 Hz		1 phase, 208-240 V[~], 60 Hz	
intensité	16 A		10 A refroidi par air / 9 A refroidi par eau	
type de branchement	Cordon d'alimentation NEMA5-20P fourni		Cordon d'alimentation NEMA6-15P fourni	
Option internationale	1 phase, 220-240 V [~] , 50Hz		1 phase, 220-240 V [~] , 50Hz	
Compresseur	4 500 Btu/h		8 000 Btu/h	
Moteur	1/3 hp		3/4 hp	
Circulation d'air	Il faut un espace libre de 7,6 cm (3 po) de chaque côté de l'appareil ou de 10,2 cm (4 po) à l'arrière pour une installation côte à côte.		Il faut un espace libre de 15.24 cm (6 po) de chaque côté des appareils.	
Raccords de plomberie	Sans objet		Les unités refroidies à l'eau doivent être équipées de raccords d'eau et de vidange de 3/8" N.P.T. Pression maximale de l'eau de 130 psi. Débit d'eau minimum de 3 GPM par baril. EWT (Temp. Entrée Eau) idéale entre 50 °F et 70 °F (10°C à 21 °C)	
Volume de la trémie	3.625 gallon (13.7 litres)		5.375 gallon (20.3 litres)	
Volume du cylindre de congélation	1.25 gallon (4.7 litres)		2.125 gallon (8.0 litres)	

CHAPITRE 2

INSTRUCTIONS D'INSTALLATION

2.1 CONSIGNES DE SÉCURITÉ

N'essayez pas d'utiliser la machine avant d'avoir entièrement lu et bien compris les instructions et les consignes de sécurité figurant dans ce manuel.

Prêtez attention à toutes les étiquettes d'avertissement apposées sur la machine. Les étiquettes y ont été placées pour maintenir un cadre de travail sans danger. Les étiquettes ont été conçues pour résister au lavage et au nettoyage. Toutes les étiquettes doivent rester lisibles toute la durée de vie de la machine. Les étiquettes doivent être périodiquement vérifiées pour s'assurer qu'elles sont reconnaissables comme étiquettes d'avertissement.

Si des étiquettes de danger, d'avertissement ou de précaution sont nécessaires, vous devrez indiquer le numéro de pièce, le type d'étiquette, l'emplacement de l'étiquette et la quantité d'étiquette nécessaire et appeler le 800-319-9549 (aux États-Unis, gratuit) ou le 920-894-2293 (en dehors des États-Unis).

2.2 EXPÉDITION ET TRANSIT

La machine a été assemblée, utilisée et inspectée à l'usine. Dès son arrivée à destination, l'ensemble de la machine doit être vérifié pour s'assurer de l'absence de dommages ayant pu survenir en cours de transport.

Étant donné la méthode d'emballage utilisée, la machine devrait arriver en excellent état. LE TRANSPORTEUR EST RESPONSABLE DE TOUS LES DOMMAGES SUBIS EN COURS DE TRANSPORT, QU'ILS SOIENT VISIBLES OU CACHÉS. Ne payez pas la facture de transport avant d'avoir contrôlé l'état de la machine. Demandez au transporteur de noter tous les dommages visibles sur la facture de transport. Si vous constatez des dommages cachés et/ou des pièces manquantes par la suite, prévenez le transporteur sous 10 jours et demandez une inspection. Le client doit faire une réclamation pour dommages et/ou livraison incomplète auprès du transporteur. Stoelting ne peut pas se retourner contre le transporteur.

2.3 INSTALLATION DE LA MACHINE

L'installation de la machine implique son rapprochement de son emplacement définitif, le retrait de toutes les caisses, la mise en place, l'assemblage des pièces et le nettoyage de la machine.



AVERTISSEMENT

L'installation doit être effectuée par un électricien/spécialiste de la réfrigération qualifié.

Une installation incorrecte risque de causer des blessures personnelles et des dégâts importants à la machine et elle annulera la garantie de l'usine.

- A. Déballer la machine.
- B. Une mise à niveau précise est nécessaire pour assurer un drainage correct du cylindre de la machine et un écoulement correct. Placez un niveau à bulle sur le dessus de la machine à chaque angle pour vérifier le niveau. Si un ajustement est nécessaire, calez la machine en tournant la partie inférieure de chaque pied vers l'intérieur ou l'extérieur.

- C. Il faut installer le joint d'étanchéité de la F112. Séparez la garniture et installez-la en plaçant le joint vers l'arrière. Veillez à ce que le côté biseauté du joint soit orienté vers le haut.
- D. Une ventilation adéquate est nécessaire. Il faut un espace de 3 pouces de chaque côté de la E112. Si la machine est placée côte à côte avec d'autres équipements, il doit y avoir un espace libre à l'arrière de la machine d'au moins 4 pouces. Comme la F112 est refroidie par air, il faut prévoir un espace de 6 pouces des deux côtés pour une bonne circulation de l'air.
- E. Connectez le support du bac d'égouttage en desserrant les deux vis à l'avant de la machine. Installez le support de manière à ce qu'il repose sur la rondelle en nylon entre les deux rondelles métalliques. Serrez les vis.



Figure 2-1 Support de bac de récupération

- F. Le tableau de commande de la machine est réglé d'usine pour le granité. Reportez-vous au manuel d'entretien pour régler correctement la machine pour le milkshake.
- G. Placez l'interrupteur CLEAN-ON-OFF sur OFF.
- H. Branchez le cordon d'alimentation sur l'alimentation adéquate. La prise du E112 est conçue pour fonctionner avec du 115 V CA / 20 A et la prise du F112 est conçue pour du 208-240 V CA / 15 A. Pour l'alimentation correcte, consultez la plaque signalétique sur la machine. L'appareil doit être branché sur une prise correctement mise à la terre. Le cordon électrique fourni avec la machine a une fiche de terre à 3 lames. L'utilisation d'une rallonge électrique est déconseillée; si nécessaire, utilisez-en une avec un conducteur de terre de calibre 12 ou plus épais. Ne pas utiliser d'adaptateur pour échapper à l'obligation de mise à la terre.



AVERTISSEMENT

Ne modifiez pas ou ne déformez pas la fiche électrique d'une quelconque manière. L'altération de la fiche pour l'adapter à une prise de configuration différente risque de causer un incendie, un court circuit, la détérioration du produit et l'annulation de la garantie.

CHAPITRE 3

CONFIGURATION INITIALE ET FONCTIONNEMENT

3.1 CONSIGNES DE SÉCURITÉ POUR L'OPÉRATEUR

UNE UTILISATION SÛRE IMPLIQUE L'ABSENCE D'ACCIDENT; observez ces règles :

- A. Découvrez la machine. Lisez et comprenez le mode d'emploi.
- B. Respectez toutes les étiquettes d'avertissement apposées sur la machine.
- C. Portez des vêtements appropriés. Évitez les vêtements lâches, enlevez les montres, bagues ou bijoux susceptibles de causer un grave accident.
- D. Gardez toujours l'espace de travail propre. Évitez les accidents en nettoyant la zone et en la gardant propre.
- E. Restez vigilant en permanence. Sachez quel interrupteur, quel bouton-poussoir ou quelle commande vous allez utiliser et l'effet résultant.
- F. Débranchez le câble électrique pour l'entretien. N'essayez jamais de réparer ni d'effectuer une maintenance sur la machine avant d'avoir coupé l'alimentation électrique secteur.
- G. Ne faites pas fonctionner l'appareil dans des conditions dangereuses. N'utilisez jamais la machine en cas de bruits ou de vibrations inhabituels ou excessifs.

3.2 COMMANDES ET INDICATEURS DE FONCTIONNEMENT

Avant d'utiliser la machine, l'opérateur doit connaître la fonction de chaque commande. Pour l'emplacement des commandes sur la machine, voir la figure 3-1.



AVERTISSEMENT

Une haute tension entraînera un choc électrique, des brûlures ou la mort. L'interrupteur OFF-ON doit être placé en position OFF avant de démonter la machine pour nettoyage ou maintenance. N'utilisez pas la machine sans que tous ses panneaux soient en place.

A. Interrupteur robinet

L'interrupteur du robinet démarre automatiquement l'entraînement de la vis sans fin et les systèmes de réfrigération lorsque le robinet est ouvert pour distribuer le produit. Lorsque le robinet est fermé, le moteur d'entraînement et le compresseur restent en marche jusqu'à ce que le produit dans le cylindre de congélation atteigne la bonne consistance.

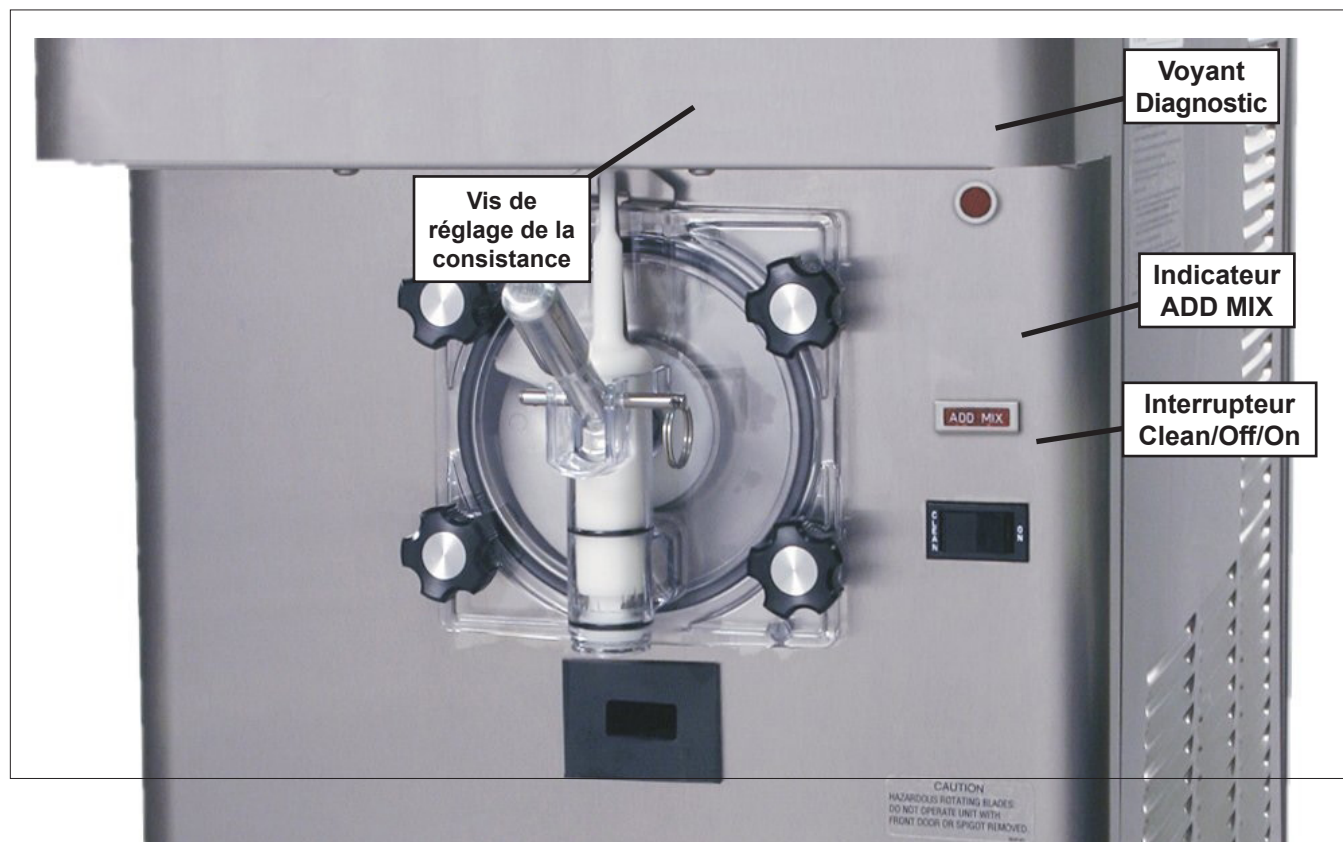


Figure 3-1 Commandes

B. Interrupteur CLEAN-OFF-ON

L'interrupteur CLEAN-OFF-ON est utilisé pour alimenter le circuit de commande. Lorsque l'interrupteur est en position OFF (milieu), le tableau de commande et le système de réfrigération seront hors tension. Lorsque l'interrupteur est en position ON, la machine fonctionnera en mode congélation. Lorsque l'interrupteur est en position CLEAN, toute réfrigération s'arrêtera et la vis sans fin commencera à tourner.

C. Voyant ADD MIX

Le voyant ADD MIX clignote pour alerter l'opérateur d'un manque de mélange. Pour ce faire, il surveille le niveau de mélange dans la trémie. Lorsque le voyant ADD MIX clignote, remplissez immédiatement la trémie.

REMARQUE

Remplissez immédiatement la trémie sous peine de problèmes de fonctionnement.

D. Voyant Diagnostic

Le Voyant Diagnostic clignote en cas d'erreur. Le voyant clignote une fois en cas de problème au niveau du compresseur. Le voyant clignote deux fois rapidement en cas de problème au niveau de la vis sans fin. Et le voyant clignote trois fois rapidement si la machine reste en mode nettoyage pendant plus de 20 minutes. Consultez la section dépannage pour plus de détails.

E. Vis de Réglage de la Consistance

La vis de réglage de la consistance augmente ou diminue la consistance du produit. La vis est connectée à un ressort de tension qui ajuste le couple requis pour effectuer un cycle de réfrigération. Tournez le bouton dans le sens des aiguilles d'une montre pour augmenter la consistance ou dans le sens inverse des aiguilles d'une montre pour diminuer la consistance.

REMARQUE

La machine est équipée d'un ressort supplémentaire, situé derrière le panneau avant. Le ressort supplémentaire peut être installé pour les milk-shakes lorsque la consistance doit être plus dense. N'utilisez pas le ressort supplémentaires pour les granités.

F. Commutateur de Sécurité Porte Avant

Le commutateur de sécurité de la porte avant empêche la rotation de la vis sans fin lorsque la porte avant est enlevée. Le commutateur est activé quand la porte n'est pas en place et désactivé quand elle est correctement installée.

G. Kit de Remplissage Automatique - En option (E112 Pièce 2183807, F112 Pièce 2187101)

Le kit de remplissage automatique est utilisé avec une pompe pour que la trémie soit toujours pleine. Le kit de remplissage automatique est conçu pour les substances alimentaires ne présentant pas de risque potentiel, c'est-à-dire les produits autres que les produits laitiers. Consultez la section 5-4 pour les options de Remplissage Automatique.

H. Kit d'Éclairage - En Option (E112 Pièce 2183800, F112 Pièce 2187102)

Le kit d'éclairage est installé derrière le panneau avant et éclaire un panneau translucide.

I. Kit Porte-Bouteilles - En option (E112 Pièce 2187100, F112 Pièce 2187040 ou 2187024)

Le kit Porte-Bouteilles est installé sur le panneau avant et peut contenir 7 bouteilles d'arômes (13 bouteilles sur le 2187024).

J. Kit de Brassage - En option (E112 Pièce 2187103, F112 Pièce 2187031)

Le kit de brassage est installé à l'avant de la machine et permet d'obtenir des boissons glacées homogènes.

3.3 DÉSINFECTION

La désinfection doit être effectuée après le nettoyage de la machine et juste avant le remplissage de la trémie avec le mélange. Une désinfection la nuit précédente n'est pas efficace. Toutefois, vous devriez toujours nettoyer la machine et les pièces après chaque utilisation.

Le Ministère de l'Agriculture des États-Unis et la Food and Drug Administration (FDA) exigent que toutes les solutions nettoyantes et désinfectantes utilisées sur les équipements de transformation des aliments soient certifiées pour une telle utilisation.

Lors de la désinfection de la machine, reportez-vous aux codes applicables et aux produits et aux procédures de désinfection recommandés dans les réglementations sanitaires locales. La fréquence de désinfection doit être conforme aux réglementations sanitaires locales.

Mélangez le désinfectant conformément aux instructions du fabricant pour obtenir une solution concentrée à 100 parties par million (ppm) et contrôlez la solution avec des bandes réactives au chlore. Mélangez le désinfectant dans au moins 2 gallons (7,5 litres) d'eau entre 90 et 110 °F (32 et 43 °C). Laissez le désinfectant en contact avec les surfaces à désinfecter pendant 5 minutes. Tout désinfectant doit être utilisé de manière strictement conforme aux instructions du fabricant.



ATTENTION

Ne pas laisser le désinfectant en contact avec les pièces en inox pendant des périodes prolongées. Un contact prolongé avec la machine peut causer la corrosion des pièces en inox.

En général, désinfection pourra être réalisée comme suit :

A. Préparez le désinfectant Stera-Sheen Green Label, ou un produit équivalent, selon les instructions du fabricant afin d'obtenir une solution concentrée à 100 ppm. Mélangez le désinfectant dans au moins 2 gallons (7,5 litres) d'eau entre 90 et 110 °F (32 et 43 °C). Vérifiez la concentration de solution désinfectante. Utilisez une bande réactive au chlore et la palette de couleurs pour vous assurer que la solution est concentrée à 100 ppm. Tout désinfectant doit être utilisé de manière strictement conforme aux instructions du fabricant.

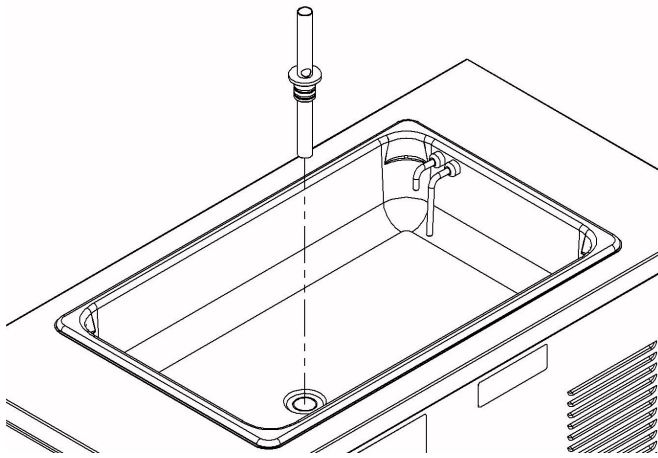


Figure 3-2 Régulateur d'Arrivée de Mélange

- B. Si vous utilisez un mélange pour milkshake, placez le régulateur d'entrée du mélange dans la trémie (voir figure 3-2). Si vous utilisez un mélange pour du granité, le régulateur d'entrée du mélange est inutile.
- C. Versez le liquide désinfectant dans la trémie et placez l'interrupteur en position CLEAN. Contrôlez l'absence de fuites.
- D. Nettoyez les parois de la trémie, le régulateur d'entrée du mélange et le dessous du couvercle de la trémie à l'aide d'une brosse à poils doux trempée dans le liquide désinfectant (voir la figure 3-3).



Figure 3-3 Désinfection de la Trémie

- E. Au bout de cinq minutes, placez un récipient sous le robinet et ouvrez le robinet pour évacuer la majorité du liquide désinfectant. Laissez un peu de liquide désinfectant dans le cylindre de congélation. Placez l'interrupteur en position OFF (milieu).
- F. Recueillez le reste de la solution désinfectante dans un gobelet et testez sa teneur en chlore à l'aide d'une nouvelle bandelette réactive. Un relevé de 100 ppm minimum est acceptable.
Si le relevé est inférieur à 100 ppm, désinfectez encore une fois la machine.

Si le relevé est inférieur à 100 ppm après la seconde procédure de désinfection, démontez et lavez encore une fois la machine.

3.4 CONGÉLATION ET FONCTIONNEMENT

Cette section couvre les procédures opératoires recommandées pour utiliser la machine sans danger.

- A. Désinfectez juste avant d'utiliser la machine
- B. Placez l'interrupteur en position OFF (milieu).

REMARQUE

Assurez-vous que le régulateur d'entrée du mélange est en place avant d'ajouter des mélanges pour milkshakes Ceci n'est pas nécessaire pour les mélanges pour granité.

- C. Versez environ 1/2 gallon de mélange entièrement décongelé dans la trémie. Ouvrez le robinet et laissez s'écouler un peu de mélange pour éliminer toute trace de désinfectant.
- D. Remplissez la trémie avec le mélange pré-réfrigéré (40 °F ou 4 °C).

REMARQUE

Ne remplissez pas trop la trémie. Le niveau de mélange doit être en dessous du tube d'entrée d'air sur le régulateur d'entrée de mélange.

- E. Placez l'interrupteur en position ON.

REMARQUE

Après le démarrage du moteur d'entraînement, il y a un délai de 3 ou 4 secondes avant que le compresseur ne démarre.

- F. Au bout de 8 à 12 minutes le produit aura atteint sa consistance et sera prêt à servir. Le temps de congélation peut varier en fonction du type de mélange et de la température ambiante.
- G. Pour le verser, tirez la poignée du robinet vers le bas pour ouvrir le robinet.
- H. La machine est conçue pour distribuer le produit à un débit raisonnable. Si vous extrayez le produit trop vite de la machine, il en résultera un produit mou ou qui ne pourra pas être extrait de la machine. Si cela se produit, laissez la machine fonctionner pendant environ 30 secondes avant de verser à nouveau du produit.
- I. N'utilisez pas la machine lorsque le voyant ADD MIX est allumé. Remplissez immédiatement la trémie.

3.5 INFORMATIONS RELATIVES AU MÉLANGE

Les mélanges varient sensiblement d'un fabricant à l'autre. Les différences de teneur en matières grasses et de quantité et qualité des autres ingrédients ont un impact direct sur le produit fini. Un changement de performance de la machine qui ne peut pas être expliqué par un problème technique peut être lié au mélange.

La température de service correcte du produit varie du mélange d'un fabricant à l'autre. La température idéale

pour que les mélanges pour milkshake et granité donnent un produit de qualité doit se situer entre 24 °F et 28 °F (-4 °C et -2 °C).

Pour contrôler la température, remuez le thermomètre dans le produit congelé pour obtenir une valeur précise.

Les vieux mélanges ou les mélanges qui ont été stockés à des températures élevées produisent des produits de mauvaise qualité qui ont un goût désagréable et un aspect inacceptable. Pour retarder le développement des bactéries dans les mélanges à base de produits laitiers, la meilleure température de stockage se situe entre 33 °F et 38 °F (0,5 °C et 3,3 °C).

Certains mélanges ont tendance à mousser plus que d'autres. En cas d'apparition de mousse dans la trémie, retirez-la avec un ustensile désinfecté avant de la jeter. Remuez périodiquement le mélange dans la trémie avec un ustensile désinfecté pour éviter la formation excessive de mousse.

3.6 RETRAIT DE MÉLANGE DE LA MACHINE

Pour enlever le mélange de la machine, procédez comme suit :

- Si vous retirez le mélange pour milkshake, soulevez le régulateur d'entrée du mélange et retirez-le de la trémie.
- Placez l'interrupteur en position CLEAN pour faire tourner la vis sans fin. Laissez le mélange tourner dans le cylindre de congélation jusqu'à ce qu'il devienne liquide, soit environ 5 minutes.
- Videz le mélange liquide en ouvrant le robinet. Un récipient doit être placé sous le robinet pour recueillir le mélange liquide.
- Placez l'interrupteur en position OFF (milieu).

3.7 NETTOYAGE DE LA MACHINE

REMARQUE

La fréquence de nettoyage de la machine et de ses pièces doit être conforme aux réglementations sanitaires locales.

Quand il n'y a plus de liquide dans la machine, nettoyez-la. Pour nettoyer la machine, suivez les étapes suivantes :

- Fermez le robinet et remplissez la trémie avec 2 gallons (8 litres) d'eau du robinet.
- Placez l'interrupteur en position CLEAN. La trémie commence à tourner.
- Laissez l'eau tourner pendant environ 30 secondes.
- Ouvrez le robinet pour évacuer l'eau. Pensez à placer un récipient sous le robinet pour récupérer l'eau. Une fois l'eau évacuée, placez l'interrupteur en position OFF (milieu). Laissez le cylindre de congélation se vider complètement.
- Préparez la solution de désinfection conformément aux instructions du fabricant pour obtenir une solution dont la concentration est de 100 ppm. Mélangez le désinfectant dans au moins 2 gallons (7,5 litres) d'eau entre 90 et 110 °F (32 et 43 °C). Vérifiez la concentration de la solution

désinfectante. Utilisez une bande réactive au chlore et la palette de couleurs pour vous assurer que la solution est concentrée à 100 ppm. Répétez les étapes A à D en utilisant la solution désinfectante.

3.8 DÉMONTAGE DES COMPOSANTS DE LA MACHINE

L'inspection des pièces usées ou cassées doit avoir lieu à chaque démontage de la machine. Toutes les pièces usées ou cassées doivent être remplacées pour garantir la sécurité de l'opérateur et du consommateur et maintenir la bonne performance de la machine et un produit de qualité. La fréquence de nettoyage doit être conforme aux réglementations sanitaires locales.

Pour démonter la machine, procédez comme suit :



ATTENTION

Pièces en mouvement dangereuses.

L'arbre en rotation de la tarière peut saisir des vêtements ou d'autres objets et causer des blessures. Placez l'interrupteur en position OFF (milieu) avant de le démonter pour le nettoyer ou l'entretenir.

- Retirez le couvercle de la trémie. Retirez le régulateur d'entrée du mélange de la trémie (s'il est installé).
- Retirez la goupille du robinet par son anneau (voir figure 3-4).
- Enlevez la poignée du robinet.
- Retirez la porte avant en tournant les boutons circulaires et en sortant la porte des montants.

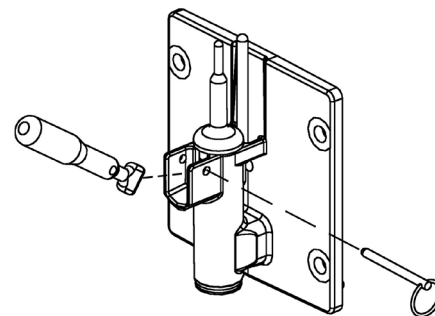


Figure 3-4 Enlèvement de la Goupille du Robinet

REMARQUE

Lorsque vous retirez la porte avant, l'ensemble de la porte et du stator sortira également.

- Retirez la tige de serrage de l'assemblage du stator.
- Retirez l'anneau Quad de la rainure de la porte avant.
- Retirez la barre du stator. Retirez le joint torique et la bague blanche de la barre du stator.

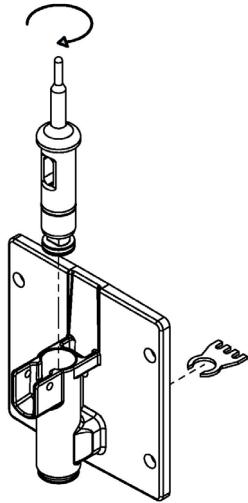


Figure 3-5 Enlèvement de la Barre du Brise-Glace et du Robinet

- H. Retirez la bague de support de la vis sans fin.
- I. Tournez le corps du robinet jusqu'à ce que la barre du brise-glace puisse être retirée. Retirez la barre du brise-glace (voir figure 3-5).
- J. Retirez le corps du robinet de la porte avant
- K. Retirez les joints toriques (2) du robinet après avoir essuyer le lubrifiant avec un papier absorbant. Pressez ensuite le joint torique vers le haut à l'aide d'un chiffon sec. Lorsqu'une boucle se forme, faites rouler le joint torique hors de la rainure (voir figure 3-6).



Figure 3-6 Enlèvement du joint torique

- L. Retirez l'ensemble de la vis sans fin du cylindre de congélation et retirez ses lames.
- M. Retirez le joint situé à l'arrière et le joint torique de la vis sans fin.
- N. Retirez le bac de vidange, le bac d'égouttage et sa grille.

3.9 NETTOYAGE ET DÉSINFECTION DES COMPOSANTS DE LA MACHINE

Placez toutes les pièces desserrées dans une bassine et placez-la dans l'évier pour les nettoyer. Les codes de santé locaux et provinciaux dicteront la procédure requise. Certains codes de santé exigent une procédure à quatre



Figure 3-7 Nettoyage du Cylindre de Congélation

éviers (lavage préalable, lavage, rinçage, désinfection, séchage à l'air), alors que d'autres exigent une procédure à trois éviers (sans étape de lavage préalable). Les procédures suivantes sont fournies à titre de consignes d'ordre général seulement. Consultez vos codes de santé locaux et provinciaux pour y lire les procédures requises dans votre ville.

- A. Versez du Stera-Sheen, ou un nettoyant équivalent, dans 2 gallons d'eau à 90 °F à 110 °F (32 °C à 43 °C) en suivant les instructions du fabricant.
- B. Préparez la solution de désinfection conformément aux instructions du fabricant pour obtenir une solution dont la concentration est de 100 ppm. Mélangez le désinfectant dans pas moins de 2 gallons (7,5 litres) d'eau entre 90 et 110 °F (32 et 43 °C). Vérifiez la concentration de solution désinfectante. Utilisez une bande réactive au chlore et la palette de couleurs pour vous assurer que la solution est concentrée à 100 ppm.
- D. Placez tous les composants dans la solution de nettoyage et les nettoyer avec les brosses fournies. Rincez toutes les pièces avec de l'eau propre à une température comprise entre 32 °C et 43 °C (90 °F et 110 °F). Placez les pièces dans la solution désinfectante.



ATTENTION

Ne pas laisser le désinfectant en contact avec les pièces en inox pendant des périodes prolongées. Un contact prolongé avec la machine peut causer la corrosion des pièces en inox.

- E. Lavez la trémie et le cylindre de congélation avec la solution de nettoyage et les brosses fournies (voir figure 3-7).
- F. Nettoyez les surfaces des joints situés à l'arrière de l'intérieur du cylindre de congélation avec la solution de nettoyage entre 32 °C et 43 °C (90 °F et 110 °F).

3.10 DÉSINFECTION DE LA MACHINE

- A. Utilisez du Stera-Sheen, ou une solution désinfectante équivalente, préparé conformément aux instructions du fabricant pour obtenir une solution dont la concentration est de 100 ppm. Mélangez le désinfectant dans au moins 2 gallons (7,5 litres) d'eau entre 90 et 110 °F (32 et 43 °C). Tout désinfectant doit être utilisé de manière strictement conforme aux instructions du fabricant.
- B. À l'aide de la grande brosse fournie, désinfectez le fond du cylindre de congélation en trempant la brosse dans la solution désinfectante et en le brossant.

3.11 MONTAGE DE LA MACHINE

Pour remonter les pièces sur la machine, procédez comme suit :

REMARQUE

Du lubrifiant sanitaire Petrol Gel ou un équivalent doit être utilisé lorsque la lubrification des pièces est spécifiée.

REMARQUE

Le Ministère de l'Agriculture des États-Unis et la Food and Drug Administration (FDA) exigent que toutes les solutions désinfectantes utilisées sur les équipements de transformation des aliments soient certifiées pour une telle utilisation. Utilisez les lubrifiants de manière strictement conforme aux instructions du fabricant.

- A. Montez tous les joints toriques sur les pièces sèches, sans lubrifiant. Appliquez ensuite une fine couche de lubrifiant sanitaire sur les surfaces à vif des joints toriques. Appliquez également une fine pellicule de lubrifiant sanitaire à l'intérieur et à l'extérieur de la bague de support de la vis sans fin avant, ainsi qu'à l'intérieur et à l'extérieur de la bague de support du stator.

- B. Montez le joint du fond sur la vis sans fin avec la partie large vers l'arrière. Vérifiez que le joint torique est bien positionné avant de mettre le joint du fond (voir figure 3-8).
- C. Mettez un peu de lubrifiant pour cannelures sur l'extrémité hexagonale de l'arbre de la vis sans fin. Un petit bidon de lubrifiant pour cannelures est livré avec la machine.
- D. Installez la lame en plastique de la vis sans fin sur la vis sans fin.
- E. Poussez la vis sans fin dans le cylindre de congélation et tournez-la lentement jusqu'à ce qu'elle s'engage dans l'arbre d'entraînement.
- F. Insérez le corps du robinet dans la porte avant.

REMARQUE

Pressez les joints toriques contre le corps du robinet lorsque vous l'insérez dans la porte avant pour éviter de l'endommager.

- G. Tournez le corps du robinet jusqu'à ce que la barre brise-glace puisse être insérée. Insérez la barre brise-glace et faites pivoter le corps du robinet de 90°.
- H. Installez la bague de support de la vis sans fin sur la porte avant de manière à ce que le bord biseauté de la douille soit contre la porte.
- I. Installez la bague blanche du support du stator à l'arrière de la barre du stator et insérez le stator dans le robinet.
- J. Insérer la tige de serrage. La tige doit être placée dans le trou de la barre du stator.
- K. Mettez la porte avant sur la machine

REMARQUE

Lors de l'installation de la porte sur la machine, la tige de serrage doit être placée au centre du bras torique métallique de l'actionneur

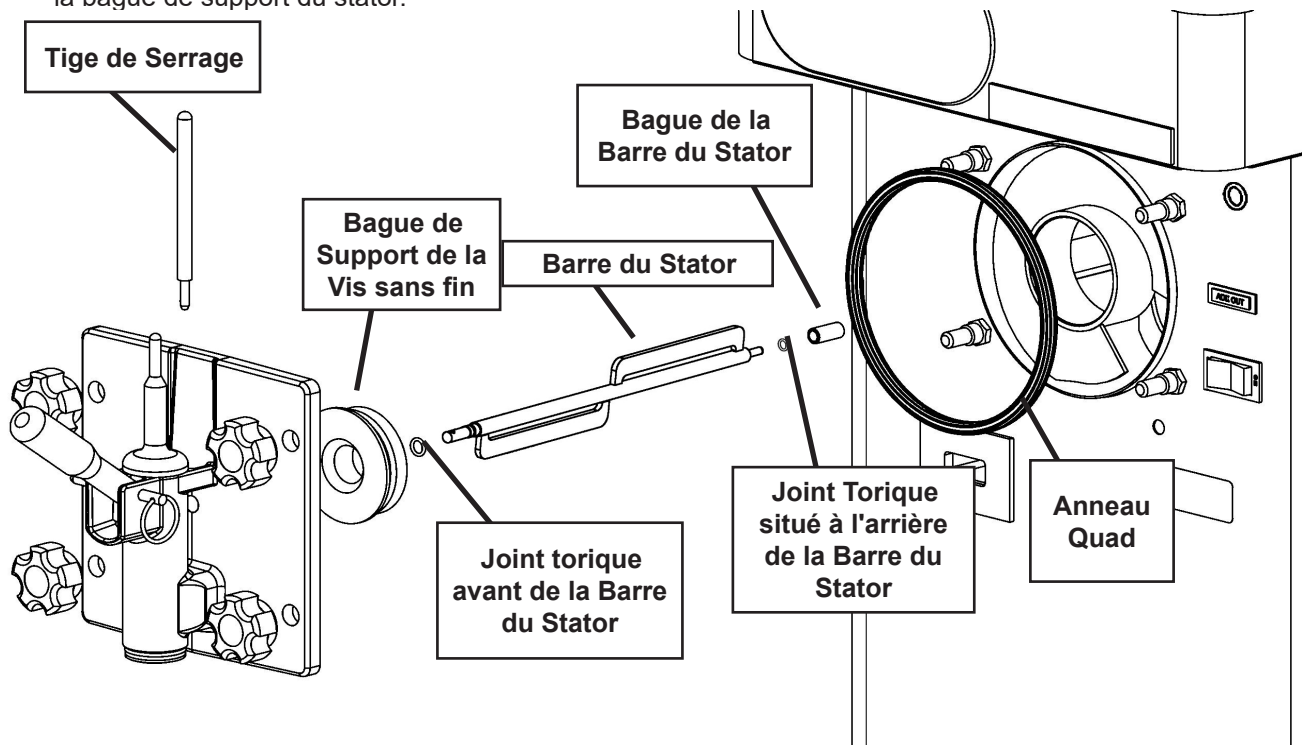


Figure 3-9 Montage du Stator et de la Porte

- L. Installez les boutons sur les goujons de la machine.
- M. Vérifier que le joint d'étanchéité entre le cylindre de congélation, l'anneau Quad et la porte avant soit correctement installé.
- N. Insérez la poignée du robinet de manière à ce que le trou soit aligné et insérez la goupille du robinet.



ATTENTION

Ne placez pas le régulateur d'entrée du mélange dans la trémie avant d'avoir installé la vis sans fin. Si vous tentez d'installer la vis sans fin alors que le régulateur d'entrée du mélange est en place, vous risquez d'endommager le régulateur.

- O. Installez le régulateur d'entrée du mélange dans la trémie s'il s'agit d'un mélange pour milkshake. En cas d'utilisation d'un mélange pour granité le régulateur d'entrée du mélange n'est pas nécessaire.
- P. Installez le couvercle de la trémie, le plateau de vidange, le plateau d'égouttage et la grille du plateau d'égouttage.

3.12 NETTOYAGE DE ROUTINE

Pour enlever du mélange déversé ou desséché de l'extérieur de la machine, lavez dans la direction de la finition avec de l'eau savonneuse chaude et essuyez. N'utilisez pas de produits ultra-abrasifs sous peine d'abîmer la finition.

3.13 MAINTENANCE PRÉVENTIVE

Stoelting recommande de suivre un programme d'entretien rigoureux pour que la machine reste propre et fonctionne correctement.

INFORMATION RELATIVE AU NETTOYAGE ET À LA DÉSINFECTION

Il est essentiel de prêter une attention particulière à la sécurité alimentaire, au nettoyage et à la désinfection.

Les informations suivantes ont été compilées par Purdy Products Company, fabricant du nettoyant/désinfectant Stera-Sheen Green Label, et couvrent plus particulièrement les questions relatives au nettoyage et à la désinfection des machines à desserts glacés. Ces informations viennent compléter un programme complet de formation à la sécurité alimentaire.

SOUILLURES ASSOCIÉES AUX MACHINES À FABRIQUER LES DESSERTS GLACÉS

MATIÈRE GRASSE DU LAIT/DU BEURRE – Éléments du mélange pour crème glacée/crème glacée aux œufs, ces souillures s'accumuleront sur les surfaces intérieures de la machine et de ses composants. Les graisses sont difficiles à éliminer et contribuent à l'accumulation de tartre de lait.

TARTRE DE LAIT– Il s'agit d'une pellicule blanche/grise qui se forme sur les équipements et les ustensiles qui

entrent en contact avec les produits laitiers. Ces films s'accumulent petit à petit sur les surfaces suite à un nettoyage inefficace, l'emploi d'eau calcaire, ou les deux. Le tartre de lait est généralement un dépôt poreux qui abrite les contaminants microbiens et finit par contrecarrer les efforts de désinfection.

Une fois le tartre de lait formé, il est très difficile à enlever. Sans le produit et la procédure corrects, il est quasi impossible d'enlever une couche épaisse de tartre de lait. (REMARQUE : les nettoyants traditionnels n'enlèvent pas le tartre de lait.) Ceci peut donner lieu à une forte concentration bactérienne et causer un problème de sécurité alimentaire.

IL EST PRÉFÉRABLE DE CONTRÔLER TOUS LES JOURS LA FORMATION DE TARTRE DE LAIT AVANT QU'IL NE DEVIENNE UN PROBLÈME SIGNIFICATIF DE SÉCURITÉ ALIMENTAIRE.

Outre la sécurité alimentaire, le tartre de lait peut provoquer une usure prématurée des pièces de la machine, ce qui peut entraîner des coûts supplémentaires pour les pièces de rechange, voire des réparations plus coûteuses si les pièces usées ne sont pas remplacées avant d'être excessivement usées.

DIFFÉRENCES IMPORTANTES ENTRE NETTOYAGE ET DÉSINFECTION

NETTOYAGE ET DÉSINFECTION - COMPARAISON

Il est important de faire la distinction entre les termes « nettoyage » et « désinfection ». Bien que ces termes puissent sembler synonymes, ils ne le sont pas. LES DEUX sont requis pour assurer la sécurité alimentaire et la maintenance correcte de la machine.

LE NETTOYAGE

- est l'enlèvement des substances souillées d'une surface.
- est l'étape indispensable pour que la désinfection soit réellement efficace.

REMARQUE

Une surface SALE abritera les bactéries et pourra contrecarrer les efforts de désinfection.

Les bactéries peuvent se développer et résister aux efforts d'assainissement dans une couche de matière souillée (tartre de lait). Les procédures de nettoyage minutieux qui impliquent le retrait du tartre de lait sont critiques pour les opérateurs de machines à fabriquer les desserts glacés.

LA DÉSINFECTION

- tue les bactéries.
- n'est efficace que sur les surfaces propres

REMARQUE

L'utilisateur d'un DÉSINFECTANT sur une surface sale ne garantit pas une machine à fabriquer les desserts glacés propre et sans danger alimentaire.

UN BON ENTRETIEN QUOTIDIEN : LA SEULE MANIÈRE DE GARANTIR LA SÉCURITÉ ALIMENTAIRE ET LA QUALITÉ DU PRODUIT

Une maintenance quotidienne correcte peut impliquer un large éventail de produits et de procédures. Globalement, les produits et les procédures peuvent être classés dans trois catégories distinctes. (Veuillez noter que ce survol est fourni pour information seulement.)

1. **NETTOYAGE** – Implique la vidange du fût de la sorbetière (retrait du mélange) et le rinçage de la machine à l'eau. Ensuite, un nettoyant est mis en circulation à travers la machine. Pour finir, la machine est démontée et les pièces amovibles sont lavées dans l'évier.
2. **ENLÈVEMENT DU TARTRE DE LAIT** – Comme la plupart des produits de nettoyage ne sont pas capables d'enlever le tartre de lait, il faut utiliser un détartrant. Bien que cette procédure ne soit pas nécessaire tous les jours, elle suivra généralement la procédure de nettoyage. Il s'agit de laisser tremper un liquide de détartrage dans la machine pendant longtemps. Les pièces individuelles sont également mises à tremper dans un liquide de détartrage pendant un certain temps (pour des détails sur les détartrants, voir Informations supplémentaires).
3. **DÉSINFECTION** – Après le nettoyage de la machine et une fois qu'elle ne contient plus de tartre de lait, la machine est remontée. Ensuite, une solution désinfectante approuvée par la FDA (É.-U) est mise en circulation dans la machine pour tuer les bactéries. La machine est maintenant prête à la préparation des aliments.

Comme nettoyant-désinfectant recommandé pour votre machine à fabriquer les desserts glacés, STERA-SHEEN a prouvé qu'il était un des meilleurs produits d'entretien quotidien pour :

- **NETTOYAGE** – Élimination complète de toutes les matières solides, y compris les matières grasses.
- **ENLÈVEMENT DU TARTRE DE LAIT** – Enlèvement complet du tartre de lait
- **DÉSINFECTION** – Désinfection sans rinçage approuvée par la FDA pour les surfaces en contact avec les aliments.

INFORMATIONS SUPPLÉMENTAIRES

EMPLOI DE DÉTARTRANTS

Un détartrant est un acide puissant capable de dissoudre le tartre de lait. Ce type de produit chimique pourra s'avérer nécessaire si des couches épaisses de tartre de lait se développent. Même si ces produits sont très efficaces pour le retrait de couches ÉPAISSSES de tartre de lait, ils ne sont pas idéals pour deux raisons :

1. **SÉCURITÉ DU PRODUIT** - Les acides forts sont des produits chimiques dangereux et leur manipulation nécessite de prendre des précautions.
2. **ENDOMMAGEMENT DE LA MACHINE** – Les acides puissants attaqueront le métal et le caoutchouc, causant l'usure prématurée des pièces. L'utilisation d'un détartrant doit être suivie de près pour éviter d'abîmer les surfaces et les pièces de la machine.

En utilisant tous les jours STERA-SHEEN ou un produit équivalent, il est inutile de recourir à un DÉTARTRANT.

NE PAS UTILISER D'EAU DE JAVEL

- **L'EAU DE JAVEL N'A ABSOLUMENT AUCUNE PROPRIÉTÉ NETTOYANTE.**

- **L'EAU DE JAVEL EST CORROSIVE.** Elle peut endommager et endommagera les composants de la machine, provoquant leur usure prématurée et la corrosion des parties métalliques.

NETTOYANTS TOUT USAGE

Les nettoyants tout usage ne sont pas capables d'enlever le tartre de lait. Le tartre de lait deviendra problématique si elle n'est pas enlevée avec des produits et des procédures supplémentaires.

UTILISATION DE BANDETTES DE TEST RÉACTIVES AU CHLORE

Des bandelettes de test sont utilisées pour déterminer les concentrations de chlore actif dans les solutions désinfectantes. Pour utiliser les bandelettes, déchirez une bandelette et plongez-la dans la solution désinfectante. Ensuite, comparez le virage de couleur en vous reportant à la légende des couleurs sur le côté du distributeur de bandelettes de test pour déterminer la concentration approximative de chlore.

La concentration idéale de chlore est de 100 ppm (comme prescrit par la FDA).

REMARQUE

Pour obtenir la concentration correcte, suivez les instructions sur l'emballage.

Deux facteurs principaux font baisser la concentration de chlore dans une solution désinfectante.

1. **UTILISATION DU PRODUIT** – Les concentrations de chlore diminuent à mesure de l'utilisation du chlore présent dans la solution.
2. **TEMPS** – Avec le temps, de petites quantités de chlore s'évaporent de la solution (ce qui explique que vous le sentiez).

Les solutions désinfectantes ne doivent pas tomber en dessous du seuil de 100 ppm de chlore. De nouvelles solutions désinfectantes doivent être préparées lorsque les anciennes sont inefficaces.

B. TOUS LES JOURS

1. L'extérieur doit être maintenu propre à tout moment pour préserver la brillance de l'acier inoxydable. Un nettoyant alcalin doux est recommandé. Utilisez un chiffon propre ou une éponge pour appliquer le nettoyant.

C. TOUTES LES SEMAINES

1. Vérifiez les joints toriques et le joint situé à l'arrière pour déceler toute usure excessive et remplacez-les si nécessaire.
2. Retirez le bac d'égouttage en le soulevant doucement pour le dégager du support et tirez-le vers l'extérieur. Nettoyez derrière le bac d'égouttage et l'avant de la machine avec une solution savonneuse.

D. TOUS LES TRIMESTRES

Refroidissement par air

Le condenseur refroidi à l'air est du type à tube en cuivre et ailettes en aluminium. La condensation dépend entièrement de la circulation de l'air. Un filtre de condenseur ou un condenseur obturé, ou des restrictions au niveau

du panneau à persiennes réduiront la circulation d'air. Ceci aura pour effet de réduire la capacité du système et endommagera le compresseur.

Le condenseur doit être maintenu propre, sans saletés et graisse. Pour la F112, il faut un espace libre d'au moins 15,2 cm (6 po) sur les côtés droit et gauche de l'appareil pour que l'air puisse circuler librement. Pour la E112, il faut un espace libre de ventilation de 7,6 cm (3 po). Assurez-vous que le machine n'aspire pas de l'air à plus de 100 °F (37 °C) issu des équipements à proximité.

Le condenseur et son filtre doivent être périodiquement nettoyés. Pour les nettoyer, reportez-vous aux procédures suivantes :

E112 Nettoyage du condenseur refroidi par eau

- A. Dévissez le bouton qui est dessous la machine vers l'avant (Fig. 3-10).
- B. Retirez le support du filtre, puis le filtre.
- C. Inspectez visuellement le filtre du condenseur pour savoir s'il est encrassé.
- D. Si le filtre est encrassé, nettoyez-le à l'aide d'un aspirateur ou d'une brosse, rincez-le à grande eau et laissez-le sécher avant de le remettre en place sur l'appareil.

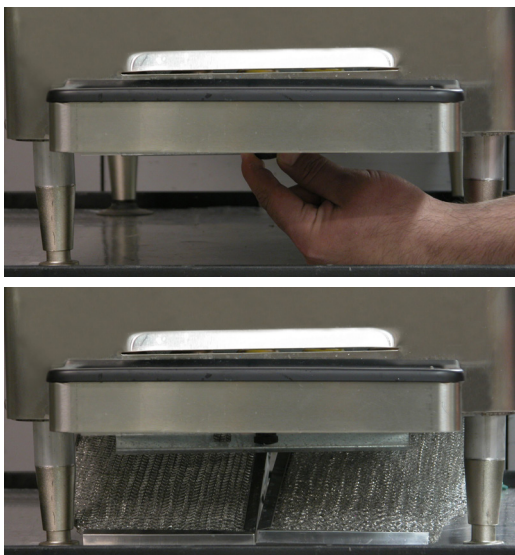


Figure 3-10 E112 Enlèvement du Filtre Condenseur

REMARQUE

Si le condenseur n'est pas maintenu propre, l'efficacité de réfrigération en pâtira.

F112 Nettoyage du condenseur refroidi par eau

- A. Retirez les vis à tête cruciforme de la partie inférieure du panneau latéral droit, puis faites glisser le panneau vers le bas et vers l'extérieur.
- B. Pour retirer le filtre du condenseur, prenez la partie supérieure et tirez. Inspectez-le visuellement pour savoir s'il est encrassé. Si le filtre est encrassé, secouez ou brossez la pellicule de saleté excédentaire et lavez-le à l'eau chaude savonneuse. Une fois que le filtre est propre,

rincez-le soigneusement à grande eau tiède et secouez-le pour le sécher, en veillant à ne pas l'endommager de quelque manière que ce soit (Fig. 3-11).



Figure 3-11 F112 Enlèvement du Filtre du Condenseur

- C. Inspectez visuellement le condenseur pour voir s'il est encrassé en projetant une lumière à travers la bobine depuis l'arrière (intérieur) du condenseur.
- D. Si le condenseur est encrassé, placez une serviette humide sur l'avant (à l'extérieur) du condenseur.
- E. À l'aide d'un aspirateur, nettoyez soigneusement le serpentín du condenseur à l'intérieur et à l'extérieur de l'appareil. Une brosse à poils durs peut aider à dégager les débris entre les serpentins du condenseur.

Refroidissement par eau (F112 uniquement)

Le condenseur refroidi à l'eau est du type à tube et calandre. Le condenseur a besoin d'eau propre et fraîche pour refroidir correctement la machine. Les conduites d'entrée et de sortie doivent avoir un diamètre intérieur d'au moins 10 mm (3/8 pouces). Veillez à ce que la machine soit alimentée en continue en eau froide et propre.

E. TOUS LES SEMESTRES

- 1. Débranchez la machine
- 2. Utilisez un calibre de tension de courroie Burroughs pour régler la tension de la courroie d'entraînement. Réglez la tension de la courroie entre 5 et 15 lbs pour le E112 et entre 30 à 40 lbs pour le F112.
- 3. Graissez le moteur du ventilateur du condenseur avec de l'huile S.A.E. 20. Il en faut 3 à 6 gouttes.

3.14 STOCKAGE LONGUE DURÉE

Pour le stockage de la machine pendant une longue durée, reportez-vous à la procédure suivante :

- A. Placez l'interrupteur CLEAN-OFF-ON en position OFF (milieu).
- B. Débranchez la machine.
- C. Nettoyez soigneusement toutes les pièces en contact avec le mélange avec un produit de nettoyage à l'eau tiède. Rincez toutes les pièces et séchez-les. Ne désinfectez pas.

REMARQUE

Ne laissez pas la solution de nettoyage dans la trémie ou dans le cylindre de congélation pendant la période d'arrêt.

- D. Retirez, démontez et nettoyez la porte avant, le régulateur d'entrée du mélange et les pièces de la vis sans fin.
- E. Pour les machines refroidies à l'eau, débranchez les conduites d'eau et laissez l'eau couler. À l'aide d'un tournevis à tête plate, maintenez le robinet d'eau ouvert et utilisez de l'air comprimé pour débarrasser les conduites de toute trace d'eau.

CHAPITRE 4 DÉPANNAGE

4.1 VOYANTS LUMINEUX

La machine dispose de deux voyants qui alerteront l'utilisateur en cas de problème : un voyant ADD MIX et un voyant Diagnostic

Le voyant ADD MIX clignote pour alerter l'opérateur quand le niveau de mélange est insuffisant. Il surveille le niveau de mélange dans la trémie. Quand le voyant ADD MIX clignote, il faut remplir immédiatement la trémie.

Le voyant Diagnostic clignote quand il y a un problème. Reportez-vous au tableau ci-dessous pour plus de détails.

Indication	On	Un Clignotement	Deux Clignotements	Trois Clignotements
Conditions	Mode décongélation	Le couple n'est pas atteint après 20 mn (22 mn pour le milkshake)	Le courant d'entraînement n'est pas détecté	Machine laissée en mode nettoyage pendant plus de 20 minutes
Auto-Correction	Sans objet	Sans objet	L'appareil essaie de détecter le courant d'entraînement avec un pré-brassage de 3 secondes. Si le courant est détecté, la machine repasse en fonctionnement normal. Si le courant n'est toujours pas détecté, l'appareil attendra 7 minutes et essaiera de détecter le courant avec un autre pré-brassage de 3 secondes. Après la troisième tentative, le compresseur fonctionnera sur minuterie.	Sans objet
Mode d'emploi	La vis sans fin fonctionne pendant 90 secondes toutes les 7 minutes.	Minuterie jusqu'à ce que le commutateur de couple reste fermé pendant 3 secondes.	Minuterie	Arrêt
Action Corrective	Sans objet	Contactez un Technicien de Maintenance	Contactez un Technicien de Maintenance	Tournez l'interrupteur CLEAN-OFF-ON sur la position OFF (milieu), puis placez l'interrupteur sur ON.

4.2 DÉPANNAGE

PROBLÈME	CAUSE POSSIBLE	SOLUTION
La machine ne marche pas.	<ol style="list-style-type: none"> 1. La machine n'est pas sous tension. 2. Fusible grillé ou circuit coupé. 3. Mélange gelé (la vis sans fin ne tourne pas). 4. Dispositif de coupure de la haute pression déclenché. 5. Porte avant mal installée. 	<ol style="list-style-type: none"> 1. Mettez la machine sous tension. 2. Remplacez ou réinitialisez. 3. Tournez l'interrupteur CLEAN-OFF-ON sur la position OFF (milieu) pendant 15 mn, puis redémarrez. 4. Attendez la réinitialisation automatique pour que la machine démarre. 5. Installez la porte avant.
La machine ne s'arrête pas.	<ol style="list-style-type: none"> 1. Défaillance de la courroie d'entraînement. 2. Réglage de la température de la consistance trop ferme. 3. Problème de réfrigération. 	<ol style="list-style-type: none"> 1. Remplacez la courroie d'entraînement. 2. Tournez le bouton de réglage de la consistance dans le sens inverse des aiguilles d'une montre. 3. Vérifiez le système (Appelez le distributeur pour qu'il intervienne).
Le produit est trop ferme.	<ol style="list-style-type: none"> 1. Réglage de la température de la consistance trop ferme. 	<ol style="list-style-type: none"> 1. Tournez le bouton de réglage de la consistance dans le sens inverse des aiguilles d'une montre.

4.2 DÉPANNAGE - SUITE

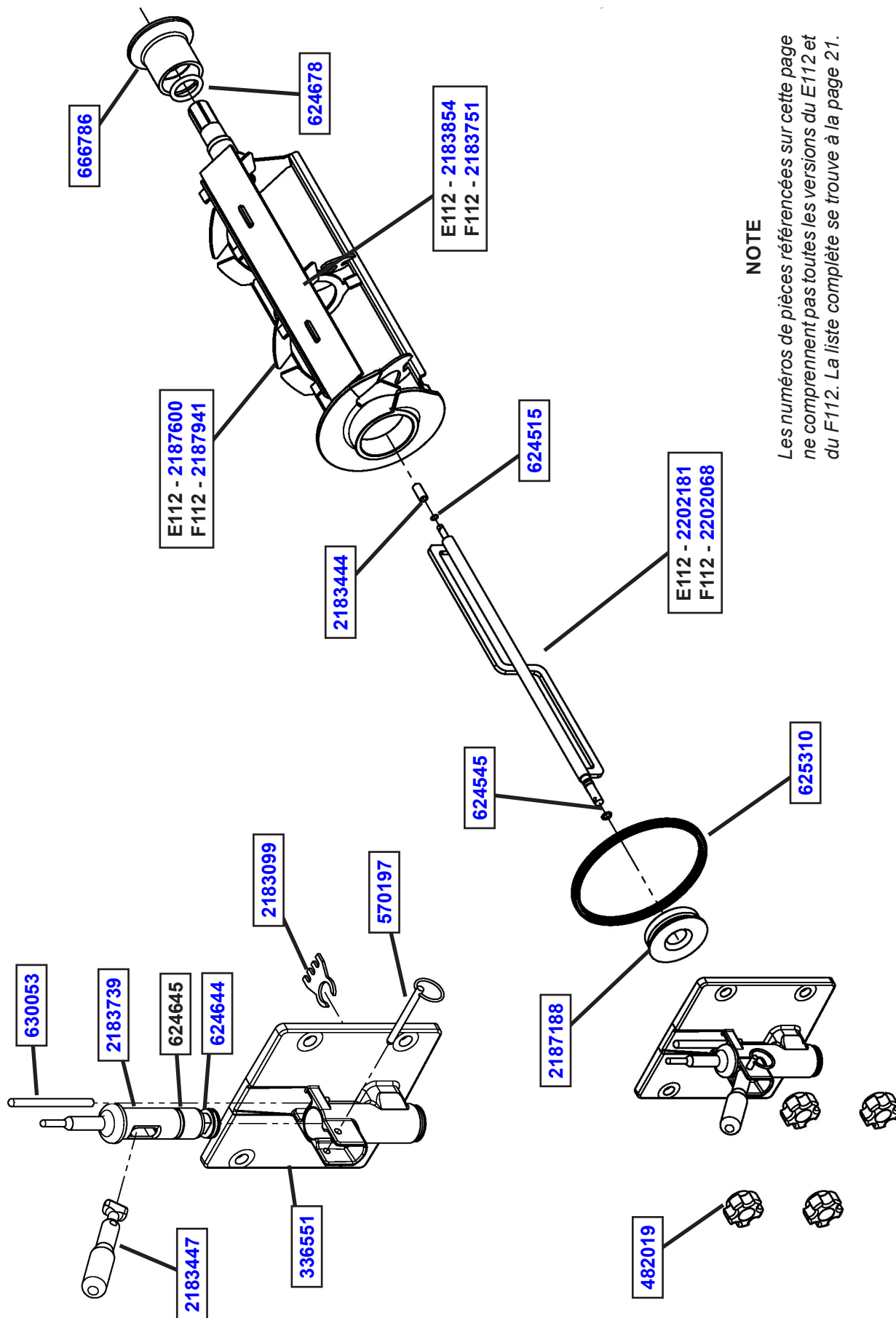
PROBLÈME	CAUSE POSSIBLE	SOLUTION
Le produit est trop mou.	<ol style="list-style-type: none"> 1. Pas d'espace de ventilation permettant la libre circulation de l'air de refroidissement. 2. La température de l'air entrant dans le condenseur est supérieure à 37,8 °C (100 °F). 3. Le condenseur est sale. 4. Le réglage de la consistance est trop mou. 5. Les stabilisateurs contenus dans le mélange sont dégradés. 6. La vis sans fin est mal assemblée. 7. Problème de réfrigération. 	<ol style="list-style-type: none"> 1. Il faut un espace d'aération d'au moins 6 pouces (E112 - 3 pouces) (Voir Section 2) 2. Changez d'emplacement ou éloignez l'air chaud de la machine. 3. Nettoyez (Voir Section 3) 4. Tournez le bouton de réglage de la consistance dans le sens des aiguilles d'une montre. 5. Retirez le mélange, nettoyez, désinfectez et redémarrez avec un nouveau mélange. 6. Enlevez le mélange, nettoyez, remontez, désinfectez et redémarrez la machine. 7. Vérifiez le système (Appelez le distributeur pour qu'il intervienne).
Le produit ne s'écoule pas.	<ol style="list-style-type: none"> 1. Pas de mélange dans la trémie. 2. Le tube du régulateur d'entrée du mélange est bouché. 3. Disjonction pour surcharge du moteur. 4. Défaillance de la courroie d'entraînement. 5. Mélange gelé (la vis sans fin ne tourne pas). 	<ol style="list-style-type: none"> 1. Remplissez la trémie avec du mélange 2. Débranchez, en utilisant une petite brosse désinfectée. 3. Attendez la réinitialisation automatique. (Si le problème persiste, appelez le distributeur pour qu'il intervienne). 4. Remplacez la courroie d'entraînement. 5. Tournez l'interrupteur CLEAN-OFF-ON sur la position OFF (milieu) pendant 15 mn, puis redémarrez.
La courroie d'entraînement glisse ou grince.	<ol style="list-style-type: none"> 1. Courroie d'entraînement usée. 2. Mélange gelé (la vis sans fin ne tourne pas). 3. La tension n'est pas correcte 	<ol style="list-style-type: none"> 1. Remplacez la courroie d'entraînement. 2. Tournez l'interrupteur CLEAN-OFF-ON sur la position OFF (milieu) pendant 15 mn, puis redémarrez. 3. Ajustez la tension de courroie.
Faible dépassement.	<ol style="list-style-type: none"> 1. La vis sans fin est mal assemblée. 2. Régulateur d'entrée de mélange manquant. 3. Joint torique du régulateur d'entrée de mélange manquant. 4. Tube d'air du régulateur d'entrée du mélange bloqué. 5. Répartition du produit. 	<ol style="list-style-type: none"> 1. Retirez le mélange, nettoyez, désinfectez et redémarrez avec un nouveau mélange. 2. Remplacez le régulateur d'entrée du mélange. 3. Remplacez le joint torique du régulateur d'entrée du mélange. 4. Nettoyez avec une brosse désinfectée. 5. Remplissez la machine avec un nouveau produit.
Le joint de la vis sans fin situé à l'arrière fuit.	<ol style="list-style-type: none"> 1. La surface arrière de la vis sans fin est lubrifiée. 2. Joint arrière manquant ou abîmé. 3. Joint torique manquant, abîmé ou mal installé. 4. Arbre de la vis sans fin usé ou rayé. 	<ol style="list-style-type: none"> 1. Nettoyez le lubrifiant à l'extérieur du joint arrière, lubrifiez l'intérieur du joint et remettez-le en place. 2. Vérifiez ou remplacez. 3. Vérifiez ou remplacez. 4. Remplacez l'arbre de la vis sans fin.
La porte avant fuit.	<ol style="list-style-type: none"> 1. Les boutons de la porte avant sont desserrés. 2. Les pièces du robinet ne sont pas lubrifiées. 3. Joints toriques écaillés ou usés. 4. Joints toriques ou robinet mal installés. 5. Trou intérieur pour robinet dans la porte avant entaillé ou rayé. 	<ol style="list-style-type: none"> 1. Resserrez les boutons. 2. Voir Chapitre 3. 3. Remplacez les joints toriques. 4. Enlevez le robinet et vérifiez le joint torique. 5. Remplacez la porte avant.

CHAPITRE 5 PIÈCES DÉTACHÉES

5.1 AUTOCOLLANTS ET LUBRIFICATION

Pièce	Description	Quantité	
		E112	F112
208135	Brosse - 4" X 8" X 16" (Baril)	1	1
208380	Brosse - 1/4" X 3" X 14"	1	1
208401	Brosse - 1" X 3" X 10"	1	1
324105	Autocollant - Risque de Court Circuit	1	1
324106	Autocollant - Attention Matériaux de Câblage Électrique	1	1
324107	Autocollant - Attention Pièces Mobiles Dangereuses	1	1
324141	Autocollant - Attention Lames en Rotation	1	1
324208	Autocollant - Attention Contrôle des Fuites de Réfrigérant	1	1
324393	Autocollant - Logo Stoelting Swirl	1	1
324509	Autocollant - Instructions de Nettoyage	1	1
324548	Autocollant - Ventilation Recommandée de 6 pouces		1
324566	Autocollant - Câblé selon	1	1
324584	Autocollant - Ventilation Recommandée de 3 pouces	1	
324686	Autocollant - Danger Démarrage automatique	1	1
324804	Autocollant - Tourbillon de Stoelting en forme de Dôme (panneau avant)	1	1
324852	Autocollant - Nettoyage du Filtre du condenseur	1	
324864	Autocollant - Logo A&W	-	-
324865	Autocollant - Voyant de veille	1	1
508048	Lubrifiant - Cannelure (tube compressible de 2 oz)	1	1
508135	Gel d' Essence - Tube de 4 oz	1	1

5.2 ARBRE DE LA VIS SANS FIN ET PORTE AVANT



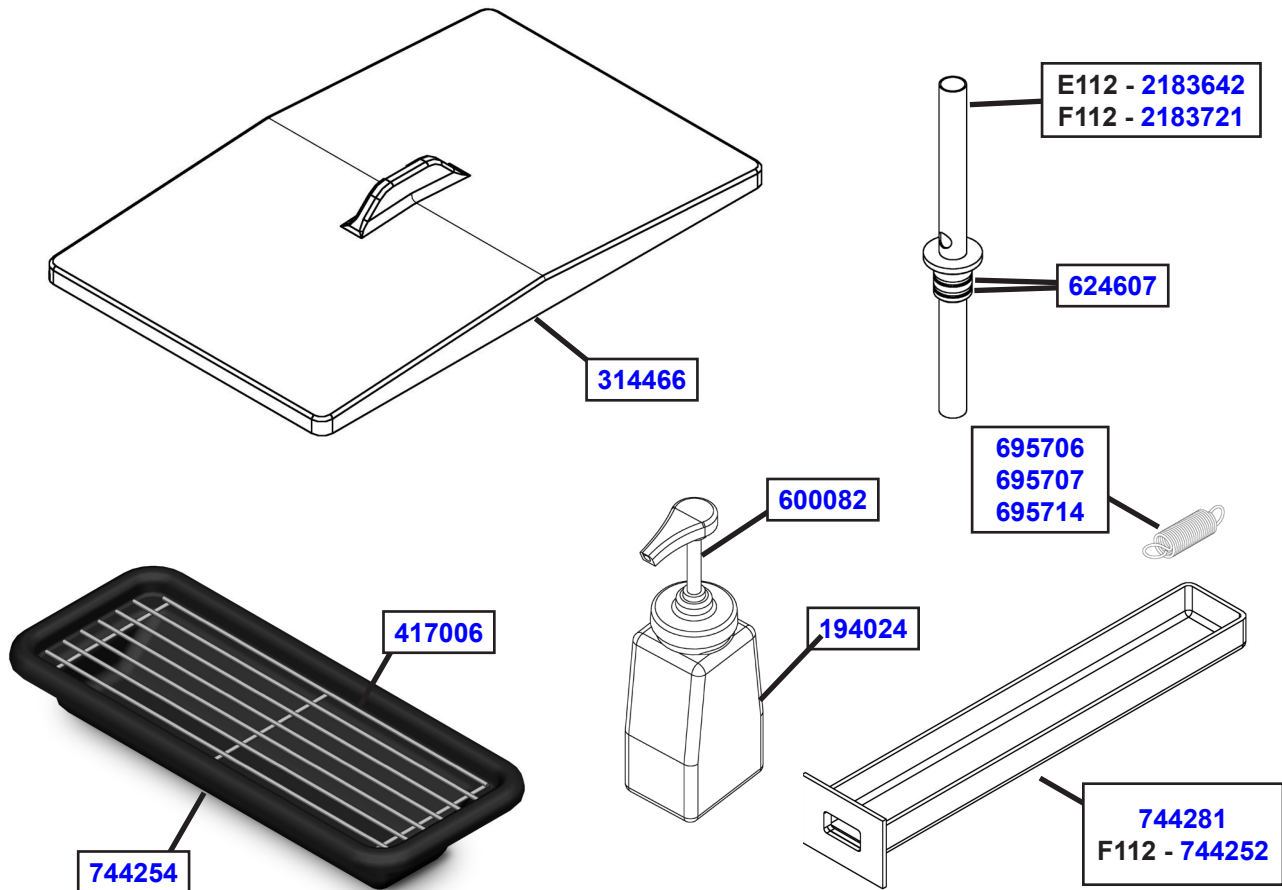
NOTE

Les numéros de pièces référencées sur cette page ne comprennent pas toutes les versions du E112 et du F112. La liste complète se trouve à la page 21.

5.2 AXE DE STATOR ET PORTE AVANT - SUITE

Pièce	Description	Quantité	
		E112	F112
162165	Lame - Grattoir (E112 Sér. #22768 - #23376)	2	
336546	Porte - Avant (E112 - Sér. #0 - #23494)	1	
336551	Porte - Avant (E112 - Sér. #23495 Plus) (F112 - Tous)	1	1
482019	Bouton - Porte Avant (Noir)	4	4
570197	Goupille - Chape sans cran d'arrêt (porte avant)	1	1
624515-5	Joint torique - Barre de Stator arrière (paquet de 5)	1	1
624545-5	Joint torique - Barre de Stator avant (paquet de 5)	1	1
624644-5	Joint torique - Corps du Robinet (Fond) (paquet de 5)	1	1
624645-5	Joint torique - Corps du Robinet (Dessus) (paquet de 5)	1	1
624678-5	Joint torique - Joint arrière Noir (paquet de 5)	1	1
625310	Anneau Quad - Porte Avant - Noir	1	1
630053	Tige - Activateur de Couple	1	1
666786	Joint - Vis Sans Fin Arrière - Noir	1	1
2183099	Barre de Brise-Glace - Corps du Robinet	1	1
2183100	Lame - Grattoir (E112 Sér. #0 - #22767)	2	
2183444	Barre - Support de stator (arrière)	1	1
2183446	Corps de Robinet (E112 - Sér. #0 - #23197)	1	
2183447	Poignée seule - Robinet	1	1
2183449	Barre - Support de Vis Sans Fin Avant (F112 - Sér. #0 - #25280)	1	
2183645	Activateur de Couple - Robinet (E112 - Sér. #0 - #22767)	1	
2183739	Corps de Robinet (E112 - Sér. #23198 Plus) (F112 - Tous)	1	1
2183751	Lame - Grattoir		1
2183854	Lame - Grattoir (E112 Sér. #23377 Plus)	1	
2187188	Barre - Support de Vis Sans Fin Avant E112 - Tous) (F112- Sér. #25281 Plus)	1	1
2187225	Axe de Trémie (F112 - Sér. #0 - #25280)		1
2187600	Axe de Trémie	1	
2187941	Axe de Trémie		1
2202068	Barre de Stator		1
2202181	Barre de Stator	1	

5.3 PIÈCES DE LA TRÉMIE



Pièce	Description	Quantité	
		E112	F112
194024	Bouteille - Parfum (Plastique)	-	-
314466	Couvercle - Trémie (E112 - Sans LJS) (F112 - Sans remplissage automatique)	1	1
417006	Grille - Bac d'Égouttage (Métallique, pour plateau 744254)	1	1
20328	Grille - Bac d'Égouttage (pour plateau 30302)		
600082	Pompe - Parfum (Bouteille plastique)	-	-
624607-5	Joint torique - Entrée Mélange (paquet de 5)	2	2
695706	Ressort - Réglage de la cohérence (Vert)	1	
695707	Ressort - Réglage de la cohérence (Jaune)		1 (milkshake seulement)
695714	Ressort - Réglage de la cohérence (Rouge)		1 (milkshake seulement)
744252	Bac - Vidange (18 3/8" Long)		1
30302	Bac - Égouttage (SF11238-Zx1)		
744254	Bac - Égouttage (E112 - Sér. #24587 Plus) (F112 - Tous)	1	1
744273	Bac - Égouttage (E112 - Sér. #0 - #24586)	1	
744281	Bac - Vidange (Avant) (12 3/4" Long)	1	1
744601	Bac - Vidange (Arrière)	1	
2177315	Couvercle - Trémie (E112 - LJS) (F112 - Kit Remplissage Automatique)	-	-
2177316	Clip - Maintien (Entrée Mélange) (Kit de Remplissage Automatique)	-	
2177317	Montage Entrée du Mélange (Kit de Remplissage Automatique)		-
2183642	Montage Entrée du Mélange	1	
2183721	Montage Entrée du Mélange		1
2187039	Porte - Bouteille Parfum (F112)		-
2187041	Porte - Bouteille Parfum (E112)	-	
2187918	Montage Entrée Mélange (LJS)		-
2187919	Clip - Maintien (Entrée Mélange) (LJS)		-

5.4 OPTIONS DE REMPLISSAGE AUTOMATIQUE

Les machines E112 et F112 peuvent facilement être configurées pour utiliser un système de remplissage automatique. Le système de remplissage automatique assure une alimentation constante de la machine en mélange sans lait.

KIT DE REMPLISSAGE AUTOMATIQUE

Un kit de remplissage automatique est indispensable pour utiliser un Système de Remplissage Automatique. Le kit comprend un électro-aimant, des tuyaux et un nouveau couvercle de trémie (pour le F112, il comprend également un transformateur). Voir ci-dessous les numéros de pièces du kit de Remplissage Automatique.

SYSTÈMES DE REMPLISSAGE AUTOMATIQUE

Il existe deux Systèmes de Remplissage Automatique : le Fill-O-Matic II et le Fill-O-Matic III. Voir ci-dessous pour plus de détails sur les Systèmes de Remplissage Automatique.

Fill-O-Matic II

Le Fill-O-Matic II est alimenté par une prise électrique et pompe jusqu'à 60 gallons par heure.

Fill-O-Matic III

Le Fill-O-Matic III est alimenté par gaz et pompe jusqu'à 45 gallons par heure.



Fill-O-Matic II et Fill-O-Matic III

Fill-O-Matic II	
Numéros des pièces	Système de Remplissage Automatique : 4177349 E112 Kit de Remplissage Automatique : 2183807 F112 Kit de Remplissage Automatique : 2187101
Utilisation	A utiliser avec des substances alimentaires sans danger potentiel ; sans lait
Dimensions	L 11-1/2" x I 11-1/2" x H 32-1/2"
Électricité	115 VAC 60 Hz Cordon d'alimentation 15 A fourni
Stockage Mélange	Réservoir plastique 15 gallons
Procédure Nettoyage	Le filtre amovible facilite le nettoyage
Sortie	Pompe jusqu'à 60 gallons par heure

Fill-O-Matic III	
Numéros des pièces	Système de Remplissage Automatique : 4177370 E112 Kit de Remplissage Automatique : 2183807 F112 Kit de Remplissage Automatique : 2187101
Utilisation	A utiliser avec des substances alimentaires sans danger potentiel ; sans lait
Dimensions	L 11-1/2" x I 11-1/2" x H 27-1/2"
Électricité	Pas d'alimentations électriques nécessaires Alimenté par du CO ₂ , de l'azote ou de l'air comprimé
Stockage Mélange	Réservoir plastique 15 gallons
Procédure Nettoyage	Nettoyage sur place par pompage de la solution dans les tuyaux
Sortie	Pompe jusqu'à 45 gallons par heure



Modelos E112/F112
MANUAL DEL OPERADOR

Manual n.º [513613](#)

V13

MÁQUINA DE BATIDOS O GRANIZADOS PARA MOSTRADOR

¡Gracias por comprar este producto Stoelting®! Guarde este manual para referencia y conserve el embalaje en caso de que sea necesario realizar un envío.

PRECAUCIONES DE SEGURIDAD

Para ayudar a garantizar un uso seguro, lea y comprenda completamente este manual y todos los mensajes de seguridad antes de la operación. Este manual sigue la guía establecida en las siguientes normas de la industria: ANSI Z535.6, ASTM F760-93, ASTM F1827-13, y el Código de Alimentos de la FDA.

Las ilustraciones y especificaciones no son vinculantes en detalle. Stoelting Foodservice Equipment se reserva el derecho de realizar cambios en la unidad sin previo aviso, y sin incurrir en ninguna obligación de modificar o proporcionar piezas nuevas para las unidades construidas antes de la fecha del cambio.

ADVERTENCIA

Indica una situación peligrosa que, de no evitarse, podría provocar lesiones graves o letales.

PRECAUCIÓN

Indica una situación peligrosa que, de no evitarse, podría provocar lesiones leves o moderadas.

AVISO: aborda las prácticas no relacionadas con lesiones personales.

Para disminuir el riesgo de lesiones personales o daños en la unidad:

- Use solo tomacorrientes correctamente puestos a tierra cuyo voltaje nominal corresponda al indicado en la placa identificatoria.
- Instale la unidad en cumplimiento con los códigos y ordenanzas locales.
- Use el equipo en posición nivelada.
- No use un cable de extensión con este equipo. No enchufe este equipo en una regleta eléctrica ni cable de múltiples tomas.
- Desenchufe el equipo y apáguelo antes de limpiarlo o moverlo.
- No rocíe con líquidos ni limpiadores los controles ni la parte externa de la unidad.
- Para la limpieza, use solamente materiales no abrasivos que no sean lanas de acero.
- Mantenga el equipo y el cable eléctrico lejos de llamas expuestas, quemadores eléctricos o calor excesivo.
- Opérela lejos del público y los niños mientras está atento a la unidad.
- Úselo solo si funciona correctamente y no presenta daños.
- Se recomienda encarecidamente usar repuestos originales de Stoelting con el número de pieza correcto.

Para obtener información sobre la garantía, visite stoeltingfoodservice.com.

CONTENIDO

Sección 1 - Descripción y especificaciones

1.1	Descripción	1
1.2	Especificaciones	2

Sección 2 - Instrucciones de instalación

2.1	Precauciones de seguridad	5
2.2	Envío y transporte	5
2.3	Instalación de la máquina	5

Sección 3 - Configuración inicial e instalación

3.1	Precauciones de seguridad del operador	7
3.2	Controles e indicadores de funcionamiento	7
3.3	Higienización	8
3.4	Congelación y funcionamiento	9
3.5	Información sobre la mezcla	9
3.6	Retiro de la mezcla de la máquina	10
3.7	Limpieza de la máquina	10
3.8	Desmontaje de las piezas de la máquina	10
3.9	Limpieza de las piezas de la máquina	11
3.10	Higienización de la máquina y las piezas	11
3.11	Montaje de la máquina	11
3.12	Limpieza de rutina	12
3.13	Mantenimiento preventivo	12
3.14	Almacenamiento prolongado	15

Sección 4 - Solución de problemas

4.1	Indicadores luminosos	17
4.2	Solución de problemas	17

Sección 5 - Repuestos

5.1	Calcomanías y lubricación	19
5.2	Eje del sinfín y puerta delantera	20
5.3	Piezas del depósito	22
5.4	Opciones de autollenado	23

SECCIÓN 1

DESCRIPCIÓN Y ESPECIFICACIONES

1.1 DESCRIPCIÓN

Las máquinas para mostrador Stoelting® E112/F112 son alimentadas por gravedad. Las unidades vienen equipadas con controles totalmente automáticos para proporcionar un producto uniforme. Funcionan con casi cualquier tipo de batido o mezcla para bebidas congeladas.



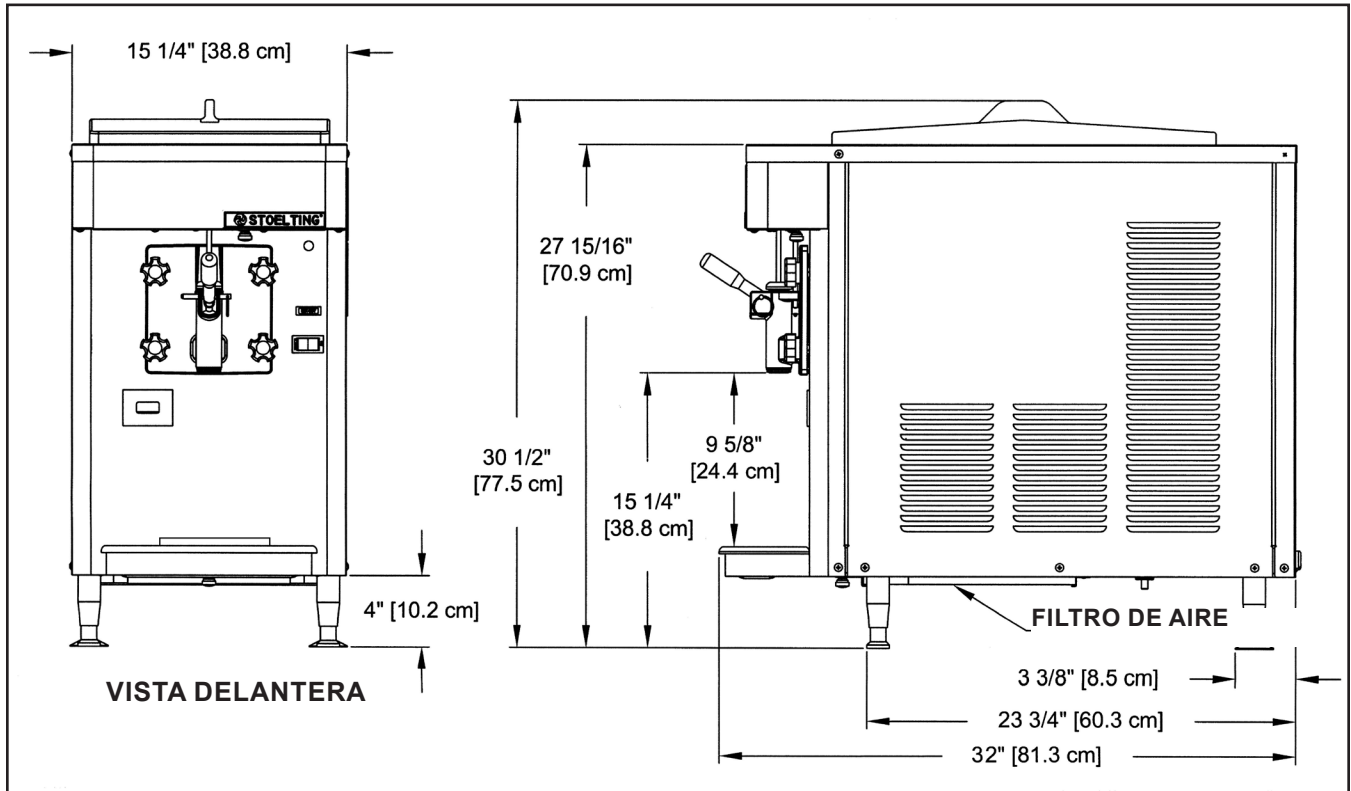
Figura 1-1 Modelo F112



Figura 1-1 Modelo E112

1.2 ESPECIFICACIONES

E112



F112

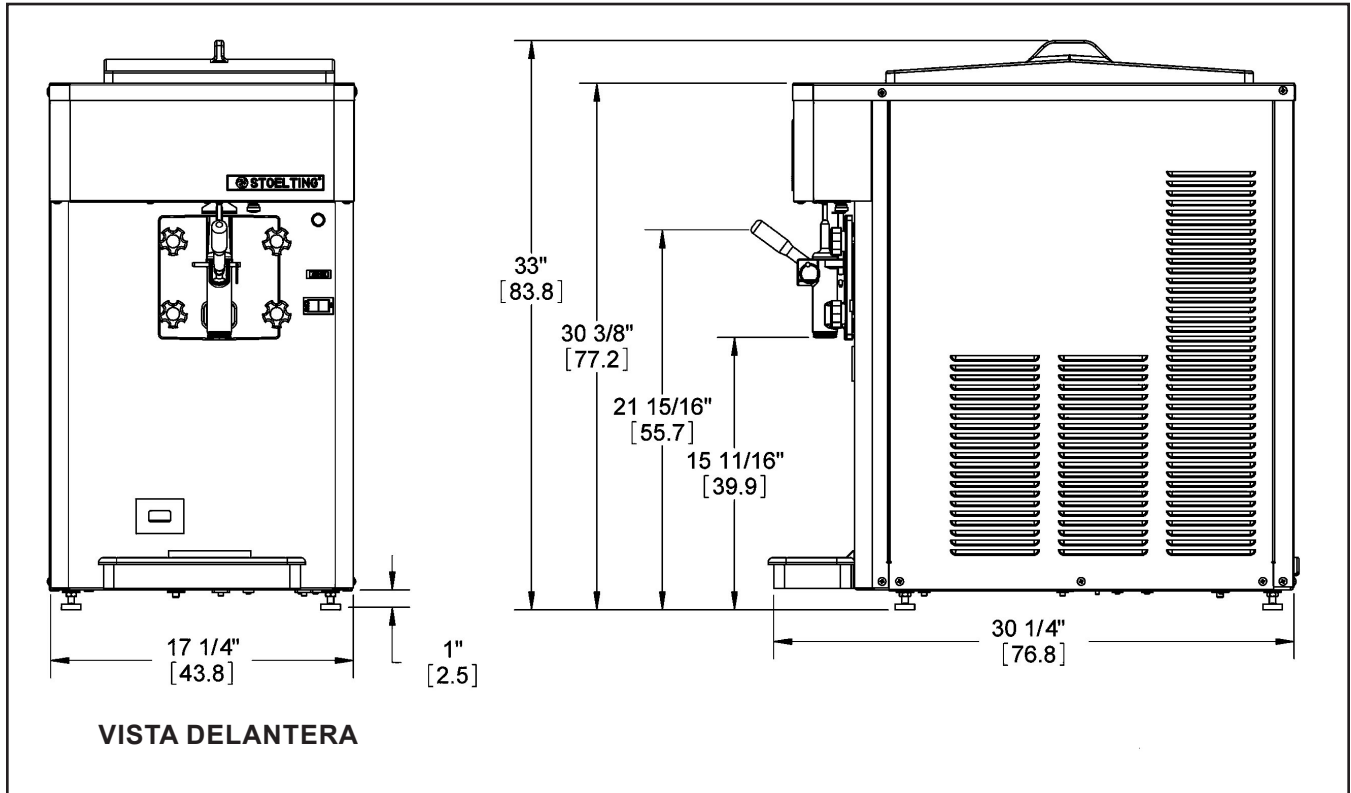


Figura 1-2 Especificaciones

1.2 ESPECIFICACIONES - CONTINUACIÓN

	Modelo E112		Modelo F112	
Dimensiones	Máquina	con caja	Máquina	con caja
ancho	15-1/4" (38,7 cm)	17-1/2" (44,5 cm)	17-1/4" (43,8 cm)	29" (73,7 cm)
altura	30-1/2" (77,5 cm)	35" (88,9 cm)	33" (83,8 cm)	44" (111,8 cm)
profundidad	32" (81,3 cm)	36-1/2" (92,7 cm)	30-1/4" (76,8 cm)	39" (99,1 cm)
Peso	205 lb (92,9 kg)	215 lb (97,5 kg)	288 lb (130,6 kg)	315 lb (142,8 kg)
Sistema eléctrico	Monofásico, 115 VCA, 60 Hz		Monofásico, 208-240 VCA, 60 Hz	
amperios en marcha	16 A		10 A enfriado por aire/9 A enfriado por agua	
tipo de conexión	Cable eléctrico NEMA5-20P incluido		Cable eléctrico NEMA6-15P incluido	
Opción internacional	Monofásico, 220-240 VCA, 50 Hz		Monofásico, 220-240 VCA, 50 Hz	
Compresor	4,500 Btu/hr		8,000 Btu/hr	
Motor impulsor	1/3 hp		3/4 hp	
Flujo de aire	Las unidades requieren un espacio de circulación de aire de 3" (7,6 cm) en ambos lados o de 4" (10,2 cm) en la parte trasera para la instalación de lado a lado.		Las unidades requieren un espacio de circulación de aire de 6" (15,24 cm) en ambos lados	
Conexiones de plomería	N/A		Las unidades enfriadas por agua requieren conexiones de agua y drenaje de 3/8" N.P.T. Máxima presión de agua de 130 psi. Mínimo caudal de agua de 3 GPM por barril. Temperatura ideal del agua entrante de 50-70 °F	
Volumen del depósito	3.625 galones (13,7 litros)		5.375 galones (20,3 litros)	
Volumen del cilindro congelador	1.25 galones (4,7 litros)		2.125 galones (8,0 litros)	

SECCIÓN 2

INSTRUCCIONES DE INSTALACIÓN

2.1 PRECAUCIONES DE SEGURIDAD

No intente operar la máquina hasta haber leído y comprendido completamente todas las instrucciones de operación y las precauciones de seguridad en este manual.

Observe todas las etiquetas de advertencia en la máquina. Las etiquetas se han colocado para ayudar a mantener un entorno de trabajo seguro. Están diseñadas para resistir el lavado y la limpieza. Todas las etiquetas deben permanecer legibles durante la vida útil de la máquina. Deben revisarse periódicamente para asegurarse de que se puedan reconocer como etiquetas de advertencia.

Si se necesitan etiquetas de peligro, advertencia o precaución, esté preparado para indicar el número de pieza, el tipo de etiqueta, la ubicación de la etiqueta y la cantidad necesaria, y luego llame al 800-319-9549 (gratis en EE. UU.) o al 920-894-2293 (fuera de EE. UU.).

2.2 ENVÍO Y TRANSPORTE

La máquina fue montada, operada e inspeccionada en la fábrica. Tras llegar a su destino final, debe comprobarse que no haya sufrido daños durante el transporte.

Gracias al método de embalaje utilizado, la máquina debería llegar en excelentes condiciones. EL TRANSPORTISTA ES RESPONSABLE DE TODOS LOS DAÑOS DURANTE EL TRANSPORTE, YA SEAN VISIBLES U OCULTOS. No pague la factura de flete hasta que se haya comprobado que la máquina no presenta daños. Haga que el transportista anote todo daño visible en la factura de flete. Si posteriormente se detectan daños ocultos y/o elementos faltantes, avise al transportista en un plazo de 10 días y solicite una inspección. El cliente deberá presentar ante el transportista una reclamación por daños y/o elementos faltantes en el envío. Stoelting no puede realizar ninguna reclamación al transportista.

2.3 INSTALACIÓN DE LA MÁQUINA

La instalación de la máquina implica trasladarla cerca de su ubicación permanente, retirar todos los embalajes, ocluirla en su sitio, montar las piezas y limpiarla.



ADVERTENCIA

La instalación debe realizarla un electricista/especialista en refrigeración calificado.

Una instalación incorrecta puede causar lesiones personales, daños graves a la máquina y anulará la garantía de fábrica.

- A. Desembale la máquina.
- B. Se necesita un nivelado preciso para drenar correctamente el barril de la máquina y garantizar un rebose correcto. Para comprobar si la máquina está nivelada, coloque un nivel de burbuja en la parte superior de cada una de sus esquinas. Si es necesario realizar ajustes, nivele la máquina girando la parte inferior de cada pata hacia adentro o hacia afuera.

- C. El modelo F112 tiene una junta de base que debe instalarse. Separe la junta e instálela con la costura hacia atrás. Cerciérese de que el lado angular de la junta quede hacia arriba.
- D. Se requiere una ventilación correcta. El modelo E112 requiere un espacio libre de 3" (7,6 cm) en ambos lados. Si la máquina se coloca junto a otros equipos, debe haber un espacio libre de al menos 4" (10,2 cm) en la parte trasera de la máquina. El modelo F112 enfriado por aire requiere un espacio libre de 6" (15,24 cm) a ambos lados para un flujo de aire adecuado.
- E. Conecte el soporte de la bandeja de goteo aflojando los dos tornillos situados en la parte delantera de la máquina. Instale el soporte de modo que descansa sobre la arandela de nylon entre las dos arandelas metálicas. Apriete los tornillos.

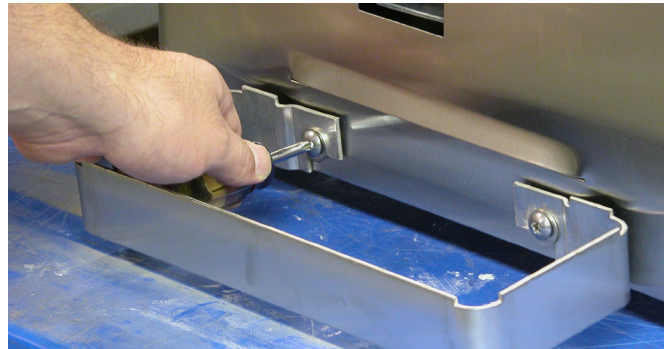


Figura 2-1 Soporte de la bandeja de goteo

- F. La máquina sale de la fábrica con la tarjeta de control configurada en la opción de granizado. En el manual de servicio encontrará las instrucciones para configurarla en la opción de batidos.
- G. Coloque el interruptor CLEAN-ON-OFF en la posición de apagado (OFF).
- H. Conecte el cable al suministro eléctrico correcto. El enchufe del modelo E112 está diseñado para 115 VCA/20 amp. y el del modelo F112 para 208-240 VCA/15 amp. En la placa identificatoria de su máquina encontrará el suministro eléctrico correcto. La unidad debe conectarse a un suministro eléctrico correctamente puesto a tierra. El cable eléctrico suministrado como parte de la máquina tiene un enchufe de tres clavijas con puesta a tierra. No se recomienda usar un cable de extensión. Si ello fuera necesario, utilice uno de calibre 12 o superior con cable a tierra. No use un adaptador para eludir el requisito de conexión a tierra.



ADVERTENCIA

No modifique ni deforme de ningún modo el enchufe eléctrico. Modificar el enchufe para adaptarlo a un tomacorriente de configuración diferente puede provocar un incendio, riesgo de descarga eléctrica, daños en el producto y anulará la garantía.

SECCIÓN 3

CONFIGURACIÓN INICIAL Y FUNCIONAMIENTO

3.1 PRECAUCIONES DE SEGURIDAD DEL OPERADOR

UN FUNCIONAMIENTO SEGURO NO ES CASUALIDAD; respete estas normas:

- A. Familiarícese con la máquina. Lea y comprenda todas las instrucciones de operación.
- B. Observe todas las etiquetas de advertencia en la máquina.
- C. Use vestimenta apropiada. Evite usar prendas de vestir sueltas, y no utilice relojes, anillos ni alhajas que podrían provocar un accidente grave.
- D. Mantenga un área de trabajo limpia. Para evitar accidentes, mantenga el área despejada y limpia.
- E. Manténgase atento en todo momento. Conozca el interruptor, pulsador o control que vaya a utilizar y qué efecto produce en la operación.
- F. Desconecte el cable eléctrico para el mantenimiento. Nunca intente reparar ni dar mantenimiento a la máquina sin haber desconectado la energía eléctrica principal.
- G. No opere la máquina bajo condiciones de funcionamiento inseguras. Nunca opere la máquina si percibe vibración o ruido inusual o excesivo.

3.2 CONTROLES E INDICADORES DE FUNCIONAMIENTO

Antes de hacer funcionar la máquina es necesario que el operador conozca la función de cada control de funcionamiento. En la Figura 3-1 encontrará la ubicación de estos controles en la máquina.



ADVERTENCIA

El voltaje alto puede provocar descargas, quemaduras o la muerte. El interruptor OFF-ON (APAGADO-ENCENDIDO) debe colocarse en la posición de apagado antes de desmontarlo para su limpieza o mantenimiento. No opere la máquina con los paneles de armarios desmontados.

A. Interruptor de la espita

El interruptor de la espita pone en marcha automáticamente los sistemas de accionamiento del sinfín y de refrigeración al abrir la espita para dispensar producto. Al cerrarse la espita, el motor impulsor y el compresor permanecen encendidos hasta que el producto en el cilindro congelador alcanza la consistencia adecuada.



Figura 3-1 Controles

B. Interruptor CLEAN-OFF-ON (LIMPIEZA-ENCENDIDO-APAGADO)

El interruptor CLEAN-OFF-ON sirve para suministrar energía al circuito de control. Cuando está en la posición central de apagado (OFF), no se suministrará energía a la tarjeta de control ni al sistema de refrigeración. Cuando está en la posición de encendido (ON), la máquina funcionará en el modo de congelamiento. Cuando está en la posición de limpieza (CLEAN), se detendrá toda la refrigeración y el sinfín comenzará a girar.

C. Luz de añadir mezcla ADD MIX

La luz ADD MIX destellará para alertar al operador que queda poco producto. Lo hace controlando el nivel de mezcla en el depósito. Cuando la luz de añadir mezcla ADD MIX esté destellando, vuelva a llenar el depósito inmediatamente.

NOTA

Si no se llena el depósito inmediatamente, pueden producirse problemas de funcionamiento.

D. Luz de diagnóstico

La luz de diagnóstico destellará si se produce un error. Destellará una sola vez si hay un error en el compresor. Destellará rápidamente dos veces si hay un error en el sinfín. Y destellará rápidamente tres veces si la máquina se deja en el modo de limpieza durante más de 20 minutos. En la sección Solución de problemas encontrará detalles al respecto.

E. Tornillo ajustador de consistencia

El tornillo ajustador de consistencia aumenta o disminuye la consistencia del producto. Un resorte de tensión conectado al tornillo permite cambiar la cantidad de torsión necesaria para completar un ciclo de refrigeración. Gire la perilla en sentido horario para aumentar la consistencia o antihorario para disminuirla.

NOTA

Se incluye un resorte adicional con la máquina detrás del panel superior. Este resorte se puede instalar para usarlo con mezclas de batidos cuando se requiere una mayor consistencia. No use el resorte opcional con mezclas de granizados.

F. Interruptor de seguridad de la puerta delantera

El interruptor de seguridad de la puerta delantera impide que el sinfín gire cuando se retira la puerta. El interruptor está abierto cuando la puerta no está en su sitio, y cerrado cuando la puerta está correctamente instalada.

G. Juego de autollenado opcional (E112: pieza 2183807, F112: pieza 2187101)

El juego de autollenado se usa con una bomba a fin de mantener el depósito lleno. Está diseñado para usarse con sustancias alimenticias no lácteas que no representan un peligro potencial. En la sección 5-4 encontrará las opciones de autollenado.

H. Juego de luces opcional (E112: pieza 2183800, F112: pieza 2187102)

El juego de luces se instala detrás del panel superior e ilumina un panel superior translúcido.

I. Juego de estante para botellas opcional (E112: pieza 2187100, F112: pieza 2187040 o 2187024)

El juego de estante para botellas se instala en el panel superior y tiene capacidad para 7 botellas de sabores (13 botellas en el modelo 2187024).

J. Juego de centrifugado opcional (E112: pieza 2187103, F112: pieza 2187031)

El juego de centrifugado se instala en la parte delantera de la máquina y ofrece bebidas heladas mezcladas.

3.3 HIGIENIZACIÓN

La higienización debe efectuarse después de limpiar la máquina e inmediatamente antes de llenar el depósito con mezcla. Higienizar la máquina la noche anterior no es una medida eficaz. Por otro lado, siempre debe limpiar la máquina y las piezas después de cada uso.

El Departamento de Agricultura y la Administración de Alimentos y Medicamentos de los Estados Unidos exigen que todas las soluciones de limpieza e higienización utilizadas en equipos de procesamiento de alimentos estén certificadas para ello.

Al higienizar la máquina, consulte las normas sanitarias locales para informarse sobre los códigos, procedimientos y productos de higienización recomendados correspondientes. La frecuencia de higienización debe cumplir con las normas de salud locales.

Mezcle el higienizador según las instrucciones del fabricante para obtener una solución concentrada de 100 partes por millón (ppm) y revise la solución con tiras reactivas para cloro. Mezcle el higienizador en cantidades no inferiores a 2 galones (7,5 litros) de agua, a una temperatura de 90 a 110 °F (32 a 43 °C). Deje que el higienizador entre en contacto durante 5 minutos con las superficies que va a desinfectar. Todo higienizador debe usarse solo según las instrucciones el fabricante.



PRECAUCIÓN

No permita que el higienizador permanezca en contacto con las piezas de acero inoxidable durante períodos prolongados. El contacto prolongado del higienizador con la máquina puede corroer las piezas de acero inoxidable.

En general, la higienización puede realizarse de la siguiente manera:

- A. Prepare la solución higienizante de etiqueta verde Stera-Sheen o un producto equivalente de acuerdo con las instrucciones del fabricante a fin de obtener una solución concentrada de 100

ppm. Mezcle el higienizador en cantidades no inferiores a 2 galones de agua (7,5 litros), a una temperatura de 90 a 110 °F (32 a 43 °C). Revise la concentración de la solución higienizante. Utilice una tira reactiva para cloro y tabla de colores para comprobar que la solución posea 100 ppm.

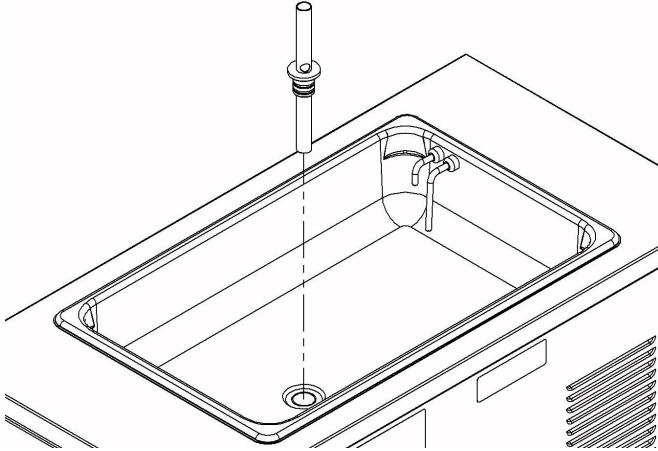


Figura 3-2 Regulador de entrada de mezcla

- B. Si usa una mezcla de batido, coloque el regulador de entrada de mezcla en el depósito (consulte la Figura 3-2). Si usa una mezcla de granizado, no es necesario usar el regulador de entrada de mezcla.
- C. Vierta la solución higienizante en el depósito y coloque el interruptor en la posición de limpieza (CLEAN). Inspeccione si hay fugas.
- D. Limpie los lados del depósito, el regulador de entrada de mezcla y la parte inferior de la tapa del depósito con un cepillo de cerdas suaves sumergido en la solución higienizante (consulte la Figura 3-3).



Figura 3-3 Higienización del depósito

- E. Después de cinco minutos, coloque un cubo debajo de la espita y ábrala para vaciar la mayor parte de la solución higienizante. Deje una pequeña cantidad de solución higienizante en el cilindro congelador. Coloque el interruptor en la posición central de apagado (OFF).

- F. Recoja la solución higienizante restante en un vaso y pruebe el contenido de cloro con una tira reactiva nueva. Una lectura igual o superior a 100 ppm es aceptable.
Si la lectura es inferior a 100 ppm, vuelva a higienizar la máquina.
Si la lectura es inferior a 100 ppm después de higienizar por segunda vez, desmonte y limpie la máquina nuevamente.

3.4 CONGELACIÓN Y FUNCIONAMIENTO

Esta sección abarca los procedimientos operativos recomendados para el funcionamiento seguro de la máquina.

- A. Higienice la máquina antes de usarla.
- B. Coloque el interruptor en la posición central de apagado (OFF).

NOTA

Cerciórese de que el regulador de entrada de mezcla esté en su sitio antes de añadir mezclas de batidos. Esto no es necesario para las mezclas de granizados.

- C. Vierta aproximadamente 1/2 galón (1,9 litros) de mezcla totalmente descongelada en el depósito. Abra la espita y drene una pequeña cantidad de mezcla a fin de eliminar el higienizador restante que pueda haber.
- D. Llene el depósito con mezcla preenfriada (40 °F o 4 °C).

NOTA

No llene excesivamente el depósito. El nivel de mezcla debe estar por debajo del tubo de entrada de aire en el regulador de entrada de mezcla.

- E. Coloque el interruptor en la posición de encendido (ON).

NOTA

Tras arrancar el motor impulsor, hay un retardo de 3 o 4 segundos antes de que se ponga en marcha el compresor.

- F. Después de 8 a 12 minutos el producto tendrá consistencia y estará listo para servirse. El tiempo de congelación puede variar según el tipo de mezcla y las temperaturas ambiente.
- G. Para dispensar, hale la manija de la espita hacia abajo a fin de abrirla.
- H. La máquina está diseñada para dispensar el producto a una velocidad de extracción razonable. Si la máquina está sobrecargada, el resultado será un producto blando o un producto que no se dispensará en absoluto. Si ello ocurre, deje que la máquina funcione durante aproximadamente 30 segundos antes de dispensar más producto.
- I. No opere la máquina cuando la luz de añadir mezcla ADD MIX esté encendida. Vuelva a llenar el depósito inmediatamente.

3.5 INFORMACIÓN SOBRE LA MEZCLA

La mezcla puede variar considerablemente de un fabricante a otro. Las diferencias en la cantidad del contenido de grasa butírica, y en la cantidad y calidad de los demás ingredientes influyen directamente en el producto final congelado. Un cambio en el rendimiento de la máquina que no pueda explicarse por un problema técnico puede estar relacionado con la mezcla.

La temperatura adecuada para servir el producto varía según la marca de la mezcla. Las mezclas de batidos y granizados apilables proporcionan un producto satisfactorio de 24 a 28 °F (-4 a -2 °C).

Cuando revise la temperatura, revuelva el producto congelado con el termómetro para obtener una lectura precisa.

Una mezcla antigua o que haya estado almacenada a temperaturas elevadas producirá un producto de mala calidad, con mal sabor y aspecto inaceptable. Para retardar la proliferación de bacterias en las mezclas lácteas, la mejor temperatura de almacenamiento es entre 33 y 38 °F (0,5 y 3,3 °C).

Algunas mezclas de batido tienden a hacer más espuma que otras. Si aparece espuma en el depósito, retírela con un utensilio higienizado y deséchela. Para evitar el exceso de espuma, revuelva periódicamente la mezcla en el depósito con un utensilio higienizado.

3.6 RETIRO DE LA MEZCLA DE LA MÁQUINA

Para retirar la mezcla de la máquina, siga estos pasos:

- Si va a retirar la mezcla de batido, hale directamente hacia arriba el regulador de entrada de mezcla y extráigalo del depósito.
- Coloque el interruptor en la posición de limpieza (CLEAN) para girar el sinfín. Deje que la mezcla se agite en el cilindro congelador hasta que se haya vuelto líquida, unos 5 minutos.
- Drene la mezcla líquida abriendo la espita. Debe colocarse un recipiente debajo de la espita para recoger la mezcla líquida.
- Coloque el interruptor en la posición central de apagado (OFF).

3.7 LIMPIEZA DE LA MÁQUINA

NOTA

La frecuencia de limpieza de máquina y de sus piezas debe cumplir con las normas de salud locales.

Después de retirar la mezcla, la máquina debe limpiarse. Para ello, siga estos pasos:

- Cierre la espita y llene el depósito con 2 galones (7,5 litros) de agua potable.
- Coloque el interruptor en la posición de limpieza (CLEAN). El sinfín comenzará a girar.
- Deje que el agua se agite durante aprox. 30 segundos.
- Abra la espita para drenar el agua. Recuerde colocar un recipiente debajo de la espita para recoger el agua. Una vez que el agua se haya drenado, coloque el interruptor en la posición central de apagado (OFF). Deje que el cilindro congelador se drene completamente.

- Prepare la solución higienizante según las instrucciones del fabricante para obtener una solución concentrada de 100 ppm. Mezcle el higienizador en cantidades no inferiores a 2 galones de agua (7,5 litros), a una temperatura de 90 a 110 °f (32 a 43 °c). revise la concentración de la solución higienizante. utilice una tira reactiva para cloro y tabla de colores para comprobar que la solución posea 100 ppm. repita los pasos a d usando la solución higienizante.

3.8 DESMONTAJE DE LAS PIEZAS DE LA MÁQUINA

Cada vez que se desmonte la máquina, se debe realizar una inspección a fin de detectar piezas desgastadas o rotas. Todos los componentes desgastados o dañados deben reemplazarse para garantizar la seguridad del operador y del cliente, mantener un buen rendimiento de la máquina y obtener un producto de calidad. La frecuencia de limpieza debe cumplir las normas de salud locales.

Para desmontar la máquina, siga estos pasos:



PRECAUCIÓN

Piezas móviles peligrosas.

El eje giratorio del sinfín puede atrapar y causar lesiones. Coloque el interruptor en la posición central de apagado (OFF) antes de desmontarlo a fin de limpiarlo o darle mantenimiento.

- Retire la tapa del depósito. Retire el regulador de entrada de mezcla del depósito (si está instalado).
- Extraiga el pasador de la espita por su anillo (consulte la Figura 3-4).

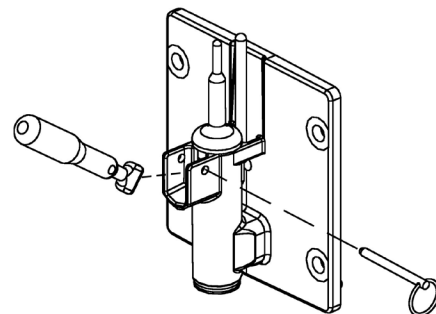


Figura 3-4 Retire el pasador de la espita

- Retire la manija de la espita.
- Retire la puerta delantera girando las perillas circulares y halando la puerta para extraerla de los montantes.

NOTA

Al retirar la puerta delantera, saldrán también todo el conjunto de la puerta y el estator.

- E. Retire la barra de torsión del conjunto del estator.
- F. Retire el anillo cuádruple de la ranura en la puerta delantera.
- G. Retire la barra del estator. Retire la junta tórica y el buje blanco de la barra del estator.
- H. Retire el buje de apoyo del sinfín.
- I. Gire el cuerpo de la espita hasta que pueda extraer la barra rompehielos. Retire la barra rompehielos (consulte la Figura 3-5).
- J. Retire el cuerpo de la espita de la puerta delantera.

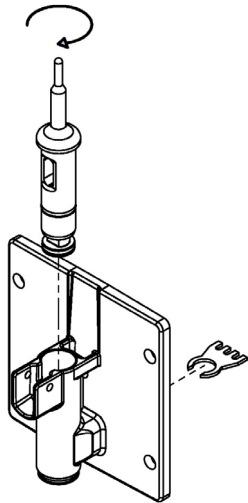


Figura 3-5 Retiro de la espita y la barra rompehielos

- K. Retire las juntas tóricas (2) de la espita limpiando primero el lubricante con una toalla de papel limpia. Luego apriete la junta tórica hacia arriba con un paño seco. Cuando se forme un bucle, desenrosque la junta tórica para retirarla de la ranura (consulte la Figura 3-6).
- L. Retire el conjunto del sinfín del cilindro congelador y extraiga las aspas del sinfín.
- M. Retire el sello posterior y la junta tórica del sinfín.
- N. Retire la bandeja de drenaje, la bandeja de goteo y su rejilla.



Figura 3-6 Retiro de la junta tórica



Figura 3-7 Limpieza del cilindro congelador

3.9 LIMPIEZA E HIGIENIZACIÓN DE LAS PIEZAS DE LA MÁQUINA

Coloque todas las piezas sueltas en una bandeja o recipiente y llévelas al fregadero para limpiarlas. Los códigos sanitarios locales y estatales dictaminarán el procedimiento requerido. Algunos códigos sanitarios requieren un proceso de cuatro fregaderos (prelavado, lavado, enjuagado, higienizado y secado al aire), mientras que otros códigos requieren un proceso de solo tres (sin el paso de prelavado). Los siguientes procedimientos se incluyen únicamente como pauta general. Consulte los códigos sanitarios locales y estatales para informarse sobre los procedimientos requeridos en su localidad.

- A. Prepare Stera-Sheen o un limpiador equivalente en 2 galones (7,5 litros) de agua a una temperatura de 90 a 110 °F (32 a 43 °C) siguiendo las instrucciones del fabricante.
- B. Prepare la solución higienizante según las instrucciones del fabricante para obtener una solución concentrada de 100 ppm. Mezcle el higienizador en cantidades no inferiores a 2 galones de agua (7,5 litros), a una temperatura de 90 a 110 °F (32 a 43 °C). Revise la concentración de la solución higienizante. Utilice una tira reactiva para cloro y tabla de colores para comprobar que la solución posea 100 ppm.
- D. Coloque todas las piezas en la solución de limpieza y límpielas con los cepillos suministrados. Enjuague todas las piezas con agua limpia a una temperatura de 90 a 110 °F (32 a 43 °C). Coloque las piezas en la solución higienizante.
- E. Lave el depósito y el cilindro congelador con la solución de limpieza a una temperatura de 90 a 110 °F (32 a 43 °C) utilizando los cepillos suministrados (consulte la Figura 3-7).



PRECAUCIÓN

No permita que el higienizador permanezca en contacto con las piezas de acero inoxidable durante períodos prolongados. El contacto prolongado del higienizador con la máquina puede corroer las piezas de acero inoxidable.

- F. Limpie las superficies del sello posterior desde el interior del cilindro congelador con la solución de limpieza a una temperatura de 90 a 110 °F (32 a 43 °C).

3.10 HIGIENE LA MÁQUINA

- A. Mezcle Stera-Sheen o una solución higienizante equivalente según las instrucciones del fabricante para obtener una solución concentrada de 100 partes por millón. Mezcle el higienizador en cantidades no inferiores a 2 galones (7,5 litros) de agua, a una temperatura de 90 a 110 °F (32 a 43 °C). Todo higienizador debe usarse solo según las instrucciones del fabricante.
- B. Con el cepillo grande suministrado, higienice la parte trasera del cilindro congelador sumergiendo el cepillo en la solución higienizante y cepillando la parte trasera del cilindro.

3.11 MONTAJE DE LA MÁQUINA

Para montar las piezas de la máquina, siga estos pasos:

NOTA

Se debe usar el lubricante sanitario Petrol Gel o un equivalente cuando se especifique la lubricación de las piezas.

NOTA

El Departamento de Agricultura y la Administración de Alimentos y Medicamentos de los Estados Unidos exigen que los lubricantes utilizados en equipos de procesamiento de alimentos estén certificados para ello. Solo use lubricantes según las instrucciones del fabricante.

- A. Monte todas las juntas tóricas en las piezas en seco, sin lubricación. A continuación, aplique

una capa delgada de lubricante sanitario a las superficies expuestas de las juntas tóricas. Aplique también una capa delgada de lubricante sanitario al interior y exterior del buje de apoyo delantero del sinfín, y al interior y exterior del buje de apoyo del estator.

- B. Monte el sello posterior en el sinfín con el extremo grande hacia atrás. Cerciórese de que la junta tórica esté en su sitio antes de instalar el sello posterior (consulte la Figura 3-8).
- C. Coloque una pequeña cantidad de lubricante para acanaladuras en el extremo hexagonal del eje del sinfín. Junto con la máquina se envía un envase pequeño de lubricante para acanaladuras.
- D. Instale el asa de plástico en el sinfín.
- E. Introduzca el sinfín en el cilindro congelador y gírelo lentamente hasta que encaje en el eje motriz.
- F. Inserte el cuerpo de la espita en la puerta delantera.

NOTA

A fin de evitar daños, presione las juntas tóricas contra el cuerpo de la espita al introducirla en la puerta delantera.

- G. Gire el cuerpo de la espita hasta que se pueda insertar la barra rompehielos. Inserte la barra rompehielos y gire el cuerpo de la espita en 90°.
- H. Instale el buje de apoyo del sinfín en la puerta delantera, de modo que el borde biselado del buje quede contra la puerta.
- I. Instale el buje de apoyo blanco del estator en la parte trasera de la barra del estator e inserte el estator en la espita.
- J. Inserte la barra de torsión. La barra debe colocarse a través del orificio de la barra del estator.
- K. Instale la puerta delantera en la máquina.

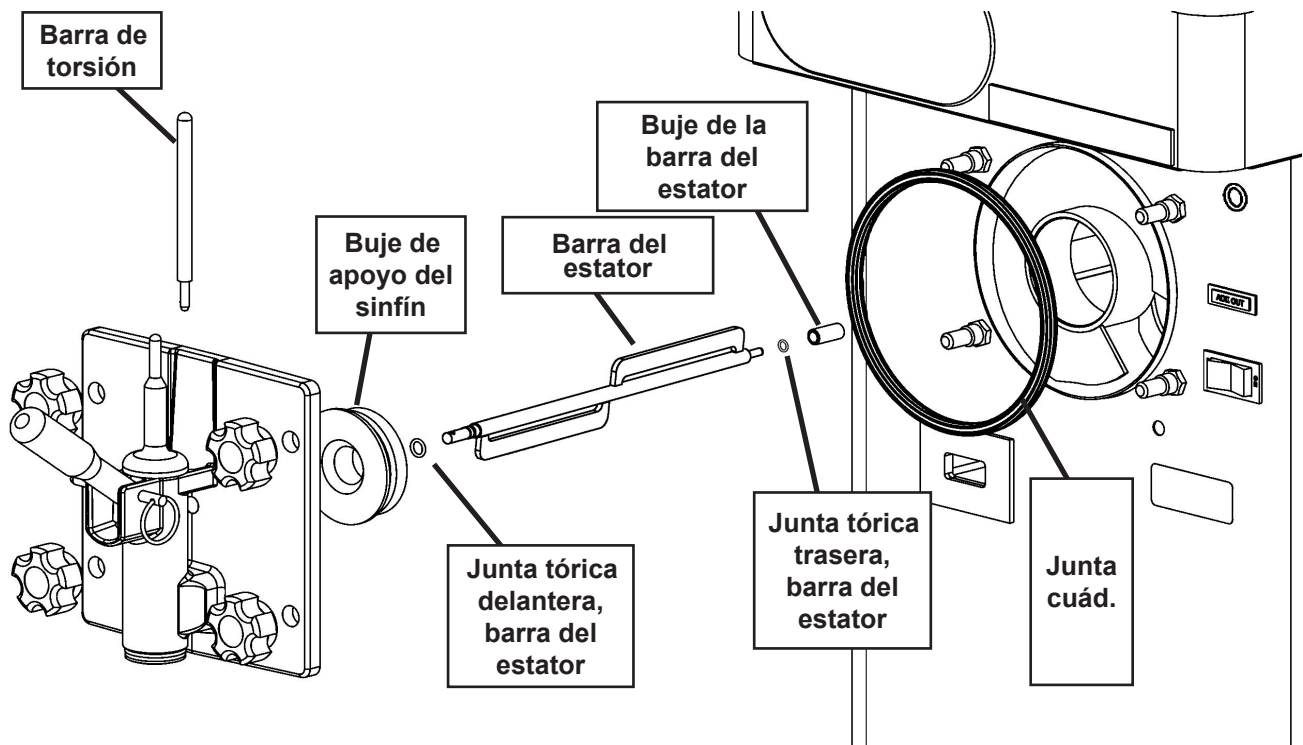


Figura 3-9 Conjunto de la puerta y el estator

NOTA

Cuando instale la puerta en la máquina, la barra de torsión debe quedar ubicada en el centro del brazo metálico del actuador de torsión

- L. Instale las perillas en los montantes de la máquina.
- M. Busque el sello adecuado entre el cilindro congelador, el anillo cuádruple y la puerta delantera.
- N. Inserte la manija de la espita de modo que el orificio quede alineado e introduzca el pasador de la espita.



PRECAUCIÓN

No coloque el regulador de entrada de mezcla en el depósito antes de instalar el sinfín. Intentar instalar el sinfín con el regulador de entrada de mezcla puesto dañará el regulador.

- O. Instale el regulador de entrada de mezcla en el depósito si usa una mezcla de batido. Si usa una mezcla de granizado, no es necesario usar el regulador de entrada de mezcla.
- P. Instale la tapa del depósito, la bandeja de drenaje, la bandeja de goteo y su rejilla.

3.12 LIMPIEZA DE RUTINA

Para eliminar la mezcla derramada o seca del exterior de la máquina, lávela en la dirección del acabado con agua tibia jabonosa y séquela. No use materiales muy abrasivos ya que estropearán el acabado.

3.13 MANTENIMIENTO PREVENTIVO

Stoelting recomienda seguir un programa de mantenimiento a fin de mantener la máquina limpia y funcionando correctamente.

INFORMACIÓN DE LIMPIEZA E HIGIENIZACIÓN

Se debe prestar especial atención cuando se trata de seguridad alimentaria y una limpieza e higienización adecuadas.

La siguiente información ha sido recopilada por Purdy Products Company, fabricante del limpiador/la solución higienizante de etiqueta verde Stera-Sheen, que abarca específicamente temas de limpieza e higienización de máquinas para postres congelados. Esta información está destinada a complementar un programa integral de seguridad alimentaria.

MATERIALES DE SUCIEDAD PRESENTES EN LAS MÁQUINAS PARA POSTRES CONGELADOS

GRASALÁCTEA/GRASABUTÍRICA: como componentes de la mezcla de helado/crema congelada, estas suciedades se acumularán en las superficies interiores de la máquina y sus piezas. Las grasas son difíciles de eliminar y contribuyen a la acumulación de piedra de leche.

PIEDRA DE LECHE: es una capa blanca/gris que se forma en equipos y utensilios que entran en contacto con productos lácteos. Estas capas se van acumulando lentamente en las superficies debido a una limpieza ineficaz, al uso de agua dura o a ambos. La piedra de leche suele ser un depósito poroso, que albergará contaminantes microbianos, y que a la larga pondrá a prueba las faenas de higienización.

Una vez que se ha formado la piedra de leche, es muy difícil eliminarla. Si no se usa el producto y el procedimiento correcto, es casi imposible eliminar una capa gruesa de piedra de leche. (NOTA: los limpiadores de uso general NO eliminan la piedra de leche). Esto puede provocar una gran acumulación de bacterias y un problema de seguridad alimentaria.

SE RECOMIENDA CONTROLAR DIARIAMENTE LA PIEDRA DE LECHE ANTES DE QUE PUEDA CONVERTIRSE EN UN GRAVE PROBLEMA DE SEGURIDAD ALIMENTARIA.

Además de la seguridad alimentaria, la piedra de leche puede causar un desgaste prematuro en las piezas de la máquina, lo que puede aumentar los costos de los repuestos o posiblemente dar lugar a reparaciones más costosas si las piezas desgastadas de la máquina no se reemplazan una vez que se hayan desgastado excesivamente.

DIFERENCIAS IMPORTANTES ENTRE LIMPIAR E HIGIENIZAR

LIMPIEZA FRENTE A HIGIENIZACIÓN

Es importante distinguir entre limpieza e higienización. Si bien estos términos pueden parecer sinónimos, no lo son. AMBOS métodos son necesarios para una adecuada seguridad alimentaria y un correcto mantenimiento de la máquina.

LIMPIEZA

- Es la eliminación de materiales de suciedad de una superficie.
- Es un requisito previo para una higienización eficaz.

NOTA

Una superficie SUCIA albergará bacterias que pueden poner a prueba la higienización.

Las bacterias pueden desarrollarse y resistir las iniciativas de higienización dentro de una capa de material de suciedad (piedra de leche). Los procedimientos de limpieza minuciosos que implican la eliminación de las piedras de leche son fundamentales para los operadores de máquinas para postres helados.

HIGIENIZACIÓN

- Mata las bacterias.
- Puede que solo sea eficaz en superficies limpias.

NOTA

Usar un HIGIENIZADOR en una superficie sucia no garantizará la limpieza ni seguridad de una máquina para postres congelados.

MANTENIMIENTO DIARIO APROPIADO: LA ÚNICA MANERA DE GARANTIZAR LA SEGURIDAD ALIMENTARIA Y LA CALIDAD DEL PRODUCTO

El mantenimiento diario apropiado puede implicar una amplia variedad de productos y procedimientos. Los productos y procedimientos se dividen en tres diferentes categorías. (Tenga presente que esta es una descripción breve destinada únicamente a fines informativos).

1. **LIMPIEZA:** consiste en drenar la mezcla del cilindro congelador y enjuagar la máquina con agua. A continuación, se pasa un limpiador por la máquina. Luego, se desmonta la máquina y las piezas extraíbles se llevan al fregadero a fin de limpiarlas.
2. **ELIMINACIÓN DE LA PIEDRA DE LECHE:** dado que casi todos los limpiadores no tienen la capacidad de eliminar la piedra de leche, se hace necesario el uso de un descalcificador. Si bien puede que no sea necesario usar este procedimiento a diario, generalmente se realiza después del proceso de limpieza. Requiere dejar una solución descalcificadora en remojo en la máquina durante un período prolongado. Las piezas individuales también se remojan en una solución descalcificadora durante un período prolongado (en la sección Información adicional encontrará más detalles sobre los descalcificadores).
3. **HIGIENIZACIÓN:** una vez que la máquina se ha limpiado y no contiene piedras de leche, se vuelve a montar la máquina. A continuación, se hace pasar por la máquina una solución higienizante aprobada por la FDA a fin de eliminar las bacterias. De esta forma, la máquina queda lista para preparar alimentos.

Como limpiador e higienizador recomendado para su máquina de postres congelados, STERA-SHEEN ha demostrado ser uno de los mejores productos de mantenimiento diario para:

- **LIMPIEZA:** eliminación completa de todos los sólidos, incluidas la grasa butírica y la grasa láctea.
- **ELIMINACIÓN DE LA PIEDRA DE LECHE:** eliminación completa de la piedra de leche.
- **HIGIENIZADOR:** higienizador sin enjuague aprobado por la FDA para superficies en contacto con alimentos.

INFORMACIÓN ADICIONAL

USO DE DESCALCIFICADORES

El descalcificador es un ácido fuerte capaz de disolver la piedra de leche. Este tipo de producto químico puede ser necesario una vez que se han acumulado niveles elevados de piedra de leche. Aunque estos productos son muy eficaces para eliminar niveles ALTOS de piedra de leche, no son ideales por dos razones:

1. **SEGURIDAD DEL PRODUCTO:** los ácidos fuertes son sustancias químicas peligrosas y su

manipulación requiere precauciones de seguridad

2. **DAÑO A LA MÁQUINA:** los ácidos fuertes atacarán el metal y el caucho desgastando prematuramente las piezas. El uso de un descalcificador debe vigilarse de cerca para evitar daños en las superficies y piezas de la máquina.

Con el uso diario adecuado de STERA-SHEEN o su equivalente, no es necesario utilizar un DESCALCIFICADOR.

NO USE BLANQUEADOR

- **EL BLANQUEADOR NO TIENE NINGUNA PROPIEDAD LIMPIADORA.**
- **EL BLANQUEADOR ES CORROSIVO.** Puede dañar y dañará los componentes de la máquina provocando desgaste prematuro y corrosión del metal.

LIMPIADORES DE USO GENERAL

Los limpiadores de uso general no son aptos para eliminar la piedra de leche. La piedra de leche se convertirá en un problema si no se soluciona con productos y procedimientos adicionales.

USO DE TIRAS REACTIVAS PARA CLORO

Las "tiras reactivas" se usan para determinar las concentraciones de cloro activo en las soluciones higienizantes. Para usar las tiras, desprenda un trozo pequeño y sumérjalo en la solución higienizante. A continuación, compare el cambio de color con la clave cromática situada en el costado del dispensador de tiras reactivas a fin de determinar la concentración aproximada de cloro.

La concentración ideal de cloro debe ser de 100 ppm (según lo establecido por la FDA).

NOTA

Siga las instrucciones del envase para una concentración adecuada.

Hay dos factores principales que contribuyen a la caída de las concentraciones de cloro en una solución higienizante.

1. **USO DEL PRODUCTO:** a medida que se usa el cloro de la solución, las concentraciones de este disminuyen.
2. **TIEMPO:** a medida que pasa el tiempo, pequeñas cantidades de cloro se "evaporan" de la solución (es por eso que se puede percibir su olor).

No se debe permitir que las soluciones higienizantes bajen de 100 ppm de cloro. Deben mezclarse soluciones nuevas una vez que las antiguas se vuelvan ineficaces.

B. DIARIAMENTE

1. El exterior debe mantenerse limpio en todo momento para preservar el brillo del acero inoxidable. Se recomienda usar un limpiador alcalino suave. Use un paño suave o una esponja para aplicar el limpiador.

C. SEMANALMENTE

1. Revise si las juntas tóricas y el sello posterior están excesivamente desgastados, y reemplácelos si es necesario.

2. Retire la bandeja de goteo levantándola suavemente para desengancharla del soporte y halarla hacia afuera. Limpie detrás de la bandeja de goteo y el frente de la máquina con una solución jabonosa.

D. TRIMESTRALMENTE

Enfriado por aire

El condensador enfriado por aire es del tipo de tubo de cobre y aleta de aluminio. La condensación depende totalmente del flujo de aire. Un filtro del condensador obstruido, un condensador sucio o restricciones en el panel de celosía limitarán el flujo de aire. Esto reducirá la capacidad del sistema y dañará el compresor.

El condensador debe mantenerse limpio de suciedad y grasa. El modelo F112 debe tener una ventilación mínima de 6" (15,2 cm) en los lados derecho e izquierdo de la unidad para que el aire circule libremente. El modelo E112 debe tener una ventilación de 3" (7,6 cm). Cerciórese de que la máquina no esté aspirando aire a más de 100 °F (37 °C) proveniente de otros equipos cercanos.

El condensador y su filtro requieren una limpieza periódica. Para ello, siga estos procedimientos.

Limpieza del condensador enfriado por aire, modelo E112

- A. Desenrosque la perilla situada en la parte inferior de la máquina hacia la parte delantera (Fig. 3-10).
- B. Retire el soporte del filtro y extraiga este último.
- C. Inspeccione visualmente si el filtro del condensador está sucio.
- D. Si el filtro está sucio, aspírelo o límpielo con un cepillo, enjuáguelo con agua limpia y deje que se seque antes de volver a colocarlo en la máquina.

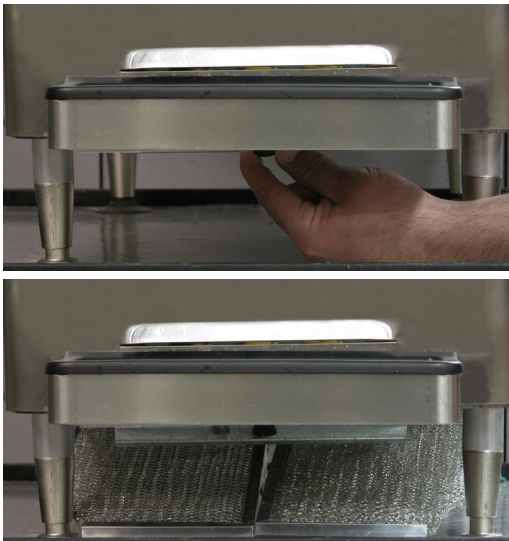


Figura 3-10 Retiro filtro condensador, modelo E112

NOTA

Si el condensador no se mantiene limpio, se perderá eficacia frigorífica.

Limpieza del condensador enfriado por aire, modelo F112

- A. Retire los tornillos de cabeza Phillips de la parte inferior del panel derecho, y luego deslice el panel hacia abajo y hacia afuera.
- B. Para retirar el filtro del condensador, sujete la parte superior y tire de él. Inspecciónelo visualmente por si está sucio. Si está sucio, sacuda o cepille el exceso de suciedad del filtro y lávelo en solución jabonosa tibia. Una vez que el filtro esté limpio, enjuáguelo a fondo con agua tibia y limpia y séquelo sacudiéndolo, teniendo cuidado de no dañar el filtro de ninguna manera (Fig. 3-11).



Fig. 3-11 Retiro del filtro condensador, modelo F112

- C. Inspeccione visualmente si el condensador está sucio proyectando una luz a través de la bobina desde la parte posterior (interior) del condensador.
- D. Si el condensador está sucio, coloque una toalla húmeda sobre la parte delantera (exterior) del condensador.
- E. Limpie cuidadosamente la bobina del condensador por dentro y por fuera de la máquina usando una aspiradora. Un cepillo de cerdas duras puede ayudar a soltar los residuos situados entre las bobinas del condensador.

Enfriado por agua (modelo F112 solamente)

El condensador enfriado por agua es del tipo de tubo y carcasa. El condensador necesita un suministro de agua fría y limpia para enfriar correctamente la máquina. Las tuberías de entrada y descarga deben tener un diámetro interior mínimo de 3/8". Cerciórese de que la máquina reciba un suministro ilimitado de agua fría y limpia.

E. SEMESTRALMENTE

1. Desconecte la máquina del suministro eléctrico.
2. Use un medidor de tensión de correa Burroughs para ajustar la tensión de la correa motriz. Ajuste la tensión de la correa en el modelo E112 a 5-15 lb, y en el modelo F112 a 30-40 lb.
3. Lubrique el motor del ventilador del condensador con aceite de peso S.A.E. 20. Se requieren de tres a seis gotas.

3.14 ALMACENAMIENTO PROLONGADO

Consulte los siguientes pasos para almacenar la máquina durante cualquier período prolongado de inactividad:

- A. Coloque el interruptor CLEAN-OFF-ON (LIMPIEZA-ENCENDIDO-APAGADO) en la posición central de apagado (OFF).
- B. Desconecte (desenchufe) la unidad del suministro eléctrico.
- C. Limpie a fondo todas las piezas que entren en contacto con la mezcla usando una solución limpiadora de agua tibia. Enjuague las piezas con agua limpia y séquelas. No higienice.

NOTA

No deje que la solución de limpieza permanezca en el depósito o en el cilindro congelador durante el período de inactividad.

- D. Retire, desmonte y limpie la puerta delantera, el regulador de entrada de mezcla y las piezas del sinfín.
- E. En una máquina enfriada por agua, desconecte las líneas de agua y drene el agua. Con un destornillador de cabeza plana, mantenga abierta la válvula de agua y use aire comprimido para eliminar de las líneas cualquier resto de agua.

SECCIÓN 4 SOLUCIÓN DE PROBLEMAS

4.1 INDICADORES LUMINOSOS

La máquina tiene dos luces que alertarán al usuario si se produce un problema: una luz de añadir mezcla ADD MIX y una luz de diagnóstico.

La luz ADD MIX destellará para alertar al operador que queda poco producto. Lo hace controlando el nivel de mezcla en el depósito. Cuando la luz de añadir mezcla ADD MIX esté destellando, vuelva a llenar el depósito inmediatamente.

La luz de diagnóstico destellará si se produce un error. En la tabla siguiente encontrará detalles.

Indicación	Encendido	Un parpadeo	Dos parpadeos	Tres parpadeos
Problemas	Modo de descongelamiento	No se alcanza la torsión tras 20 minutos (22 minutos para batidos)	No se detecta la corriente de accionamiento	Se dejó la máquina en el modo de limpieza durante más de 20 minutos
Autocorrección	N/A	N/A	La máquina intenta detectar la corriente de accionamiento con una premezcla de 3 segundos. Si se detecta corriente, la máquina volverá al funcionamiento normal. Si no se detecta corriente, la máquina esperará 7 minutos e intentará detectar la corriente con otra premezcla de 3 segundos. Después del tercer intento, el compresor funcionará con temporizadores.	N/A
Funcionamiento	Cada 7 minutos, el sinfín funcionará durante 90 segundos.	Temporizadores o hasta que el interruptor de torsión permanezca cerrado durante 3 segundos.	Temporizadores	Apagado
Acción correctiva	N/A	Contacte al técnico de servicio	Contacte al técnico de servicio	Coloque el interruptor CLEAN-OFF-ON (LIMPIEZA-ENCENDIDO-APAGADO) en la posición central de apagado (OFF) y luego en la posición de encendido (ON).

4.2 SOLUCIÓN DE PROBLEMAS

PROBLEMA	CAUSA POSIBLE	SOLUCIÓN
La máquina no funciona.	<ol style="list-style-type: none"> 1. La máquina está apagada. 2. Fusible fundido o circuito disyuntado. 3. Congelación (el sinfín no gira). 4. Corte de alta presión disyuntado. 5. La puerta delantera no está en su sitio. 	<ol style="list-style-type: none"> 1. Enciéndala. 2. Reemplácelo o reinícielo. 3. Coloque el interruptor CLEAN-OFF-ON (LIMPIEZA-ENCENDIDO-APAGADO) en la posición central de apagado (OFF) durante 15 minutos y luego vuelva a encenderlo. 4. Espere hasta que ocurra el reinicio automático para que la máquina se ponga en marcha. 5. Móntela en su lugar.
La máquina no se apaga.	<ol style="list-style-type: none"> 1. Correa motriz defectuosa. 2. El ajuste de la temperatura de consistencia deja el producto demasiado firme. 3. Problema de refrigeración. 	<ol style="list-style-type: none"> 1. Reemplácela. 2. Gire la perilla ajustadora de consistencia en sentido antihorario. 3. Revise el sistema (llame al distribuidor para obtener servicio técnico).
El producto queda demasiado firme.	<ol style="list-style-type: none"> 1. El ajuste de la temperatura de consistencia deja el producto demasiado firme. 	<ol style="list-style-type: none"> 1. Gire la perilla ajustadora de consistencia en sentido antihorario.

4.2 SOLUCIÓN DE PROBLEMAS - CONTINUACIÓN

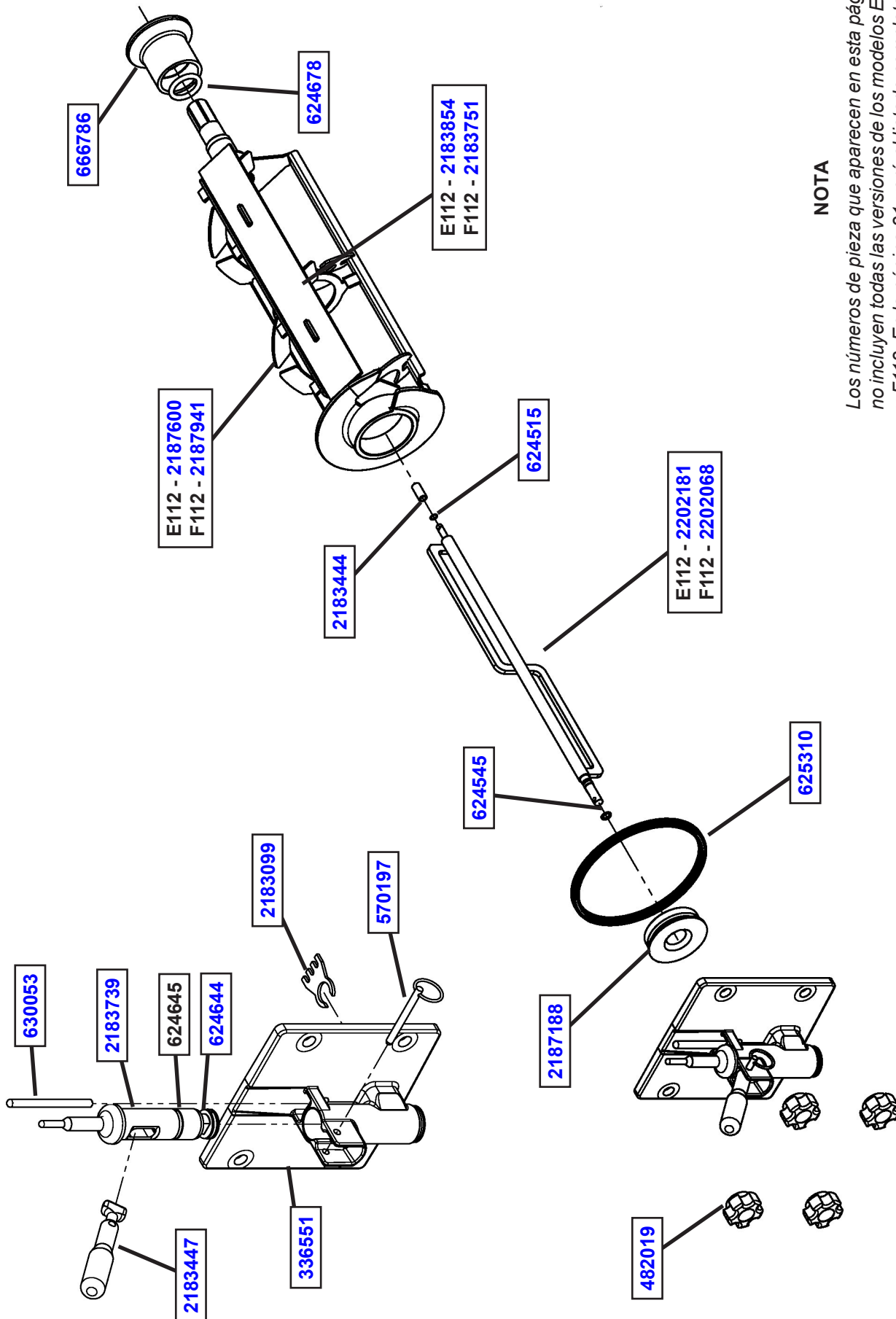
PROBLEMA	CAUSA POSIBLE	SOLUCIÓN
El producto está demasiado blando.	<ol style="list-style-type: none"> 1. No hay espacio de ventilación para que el aire refrigerante fluya libremente. 2. La temperatura del aire que ingresa al condensador es superior a 100 °F. 3. El condensador está sucio. 4. El ajuste de consistencia deja el producto demasiado blando. 5. Los estabilizadores de mezcla están descompuestos. 6. El sinfín está montado incorrectamente. 7. Problema de refrigeración. 	<ol style="list-style-type: none"> 1. Se requiere un espacio de ventilación mínimo de 6" (E112 - 3") (consulte la sección 2). 2. Cambie la ubicación o dirija el aire caliente lejos de la máquina. 3. Límpielo (consulte la sección 3). 4. Gire la perilla ajustadora de consistencia en sentido horario. 5. Retire la mezcla, limpie, higienice y congele con mezcla fresca. 6. Retire la mezcla, limpie, vuelva a montar el sinfín, higienice y congele. 7. Revise el sistema (llame al distribuidor para obtener servicio técnico).
El producto no se dispensa.	<ol style="list-style-type: none"> 1. No hay mezcla en el depósito. 2. El tubo del regulador de entrada de mezcla está obstruido. 3. Sobrecarga del motor impulsor disyuntada. 4. Correa motriz defectuosa. 5. Congelación (el sinfín no gira). 	<ol style="list-style-type: none"> 1. Llene el depósito con mezcla. 2. Destápelo con un cepillo pequeño higienizado. 3. Espere el reinicio automático (si el problema persiste, llame al distribuidor para obtener servicio técnico). 4. Reemplácela. 5. Coloque el interruptor CLEAN-OFF-ON (LIMPIEZA-ENCENDIDO-APAGADO) en la posición central de apagado (OFF) durante 15 minutos y luego vuelva a encenderlo.
La correa motriz patina o rechina.	<ol style="list-style-type: none"> 1. Correa motriz desgastada. 2. Congelación (el sinfín no gira). 3. No está tensada correctamente 	<ol style="list-style-type: none"> 1. Reemplácela. 2. Coloque el interruptor CLEAN-OFF-ON (LIMPIEZA-ENCENDIDO-APAGADO) en la posición central de apagado (OFF) durante 15 minutos y luego vuelva a encenderlo. 3. Ajuste la tensión
Rebose mínimo.	<ol style="list-style-type: none"> 1. El sinfín está montado incorrectamente. 2. Falta el regulador de entrada de mezcla. 3. Falta la junta tórica en el regulador de entrada de mezcla. 4. Tubo de aire en el regulador de entrada de mezcla bloqueado. 5. Producto descompuesto. 	<ol style="list-style-type: none"> 1. Retire la mezcla, limpie, higienice y congele con mezcla fresca. 2. Vuelva a colocar el regulador. 3. Vuelva a colocar la junta tórica. 4. Límpielo con un cepillo higienizado. 5. Llene la máquina con producto fresco.
El sello posterior del sinfín tiene fugas.	<ol style="list-style-type: none"> 1. La superficie exterior del sello posterior del sinfín está lubricada. 2. Falta el sello posterior o está dañado. 3. Falta la junta tórica del sello, está dañada o instalada incorrectamente. 4. El eje del sinfín está desgastado o rayado. 	<ol style="list-style-type: none"> 1. Limpie el lubricante del exterior del sello posterior, lubrique el interior del sello y vuelva a instalarlo. 2. Revíselo o reemplácelo. 3. Revísela o reemplácela. 4. Reemplace el eje.
La puerta delantera tiene fugas.	<ol style="list-style-type: none"> 1. Las perillas de la puerta delantera están sueltas. 2. Las piezas de la espita no están lubricadas. 3. Juntas tóricas de la espita picadas o desgastadas. 4. Juntas tóricas o espita instaladas incorrectamente. 5. Orificio interior de la espita en la puerta delantera mellado o rayado. 	<ol style="list-style-type: none"> 1. Apriételas. 2. Consulte la sección 3. 3. Reemplácelas. 4. Retire la espita y revise la junta tórica. 5. Reemplace la puerta delantera.

SECCIÓN 5 REPUESTOS

5.1 CALCOMANÍAS Y LUBRICACIÓN

Pieza	Descripción	Cantidad	
		E112	F112
208135	Cepillo - 4" X 8" X 16" (barril)	1	1
208380	Cepillo - 1/4" X 3" X 14"	1	1
208401	Cepillo - 1" X 3" X 10"	1	1
324105	Calcomanía - Precaución, descarga eléctrica	1	1
324106	Calcomanía - Precaución, materiales de cableado eléctrico	1	1
324107	Calcomanía - Precaución, piezas móviles peligrosas	1	1
324141	Calcomanía - Atención, aspas giratorias	1	1
324208	Calcomanía - Atención, revisar fugas de refrigerante	1	1
324393	Calcomanía - Logotipo de remolino de Stoelting	1	1
324509	Calcomanía - Instrucciones de limpieza	1	1
324548	Calcomanía - Ventilación adecuada de 6"		1
324566	Calcomanía - Cableado según	1	1
324584	Calcomanía - Ventilación adecuada de 3"	1	
324686	Calcomanía - Peligro, arranque automático	1	1
324804	Calcomanía - Remolino Stoelting abovedado (panel superior)	1	1
324852	Calcomanía - Limpiar el filtro del condensador	1	
324864	Calcomanía - Logotipo de A&W	-	-
324865	Calcomanía - Luz de espera	1	1
508048	Lubricante - Acanaladura (tubo dispensador de 2 oz)	1	1
508135	Petrol Gel - Tubo de 4 oz	1	1

5.2 EJE DEL SINFÍN Y PUERTA DELANTERA



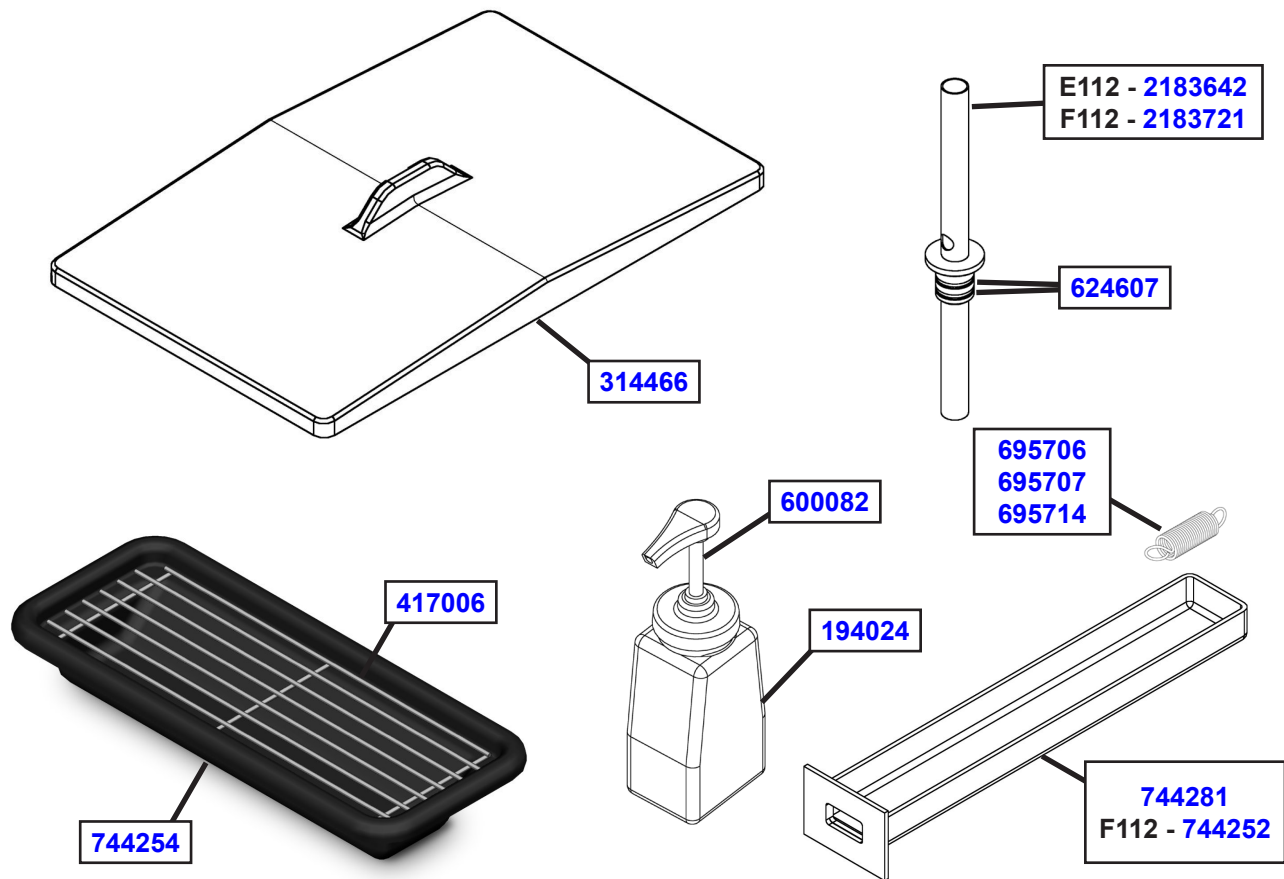
NOTA

Los números de pieza que aparecen en esta página no incluyen todas las versiones de los modelos E112 y F112. En la página 21 verá el listado completo.

5.2 EJE DEL SINFÍN Y PUERTA DELANTERA - CONTINUACIÓN

Pieza	Descripción	Cantidad	
		E112	F112
162165	Aspa - Raspador (E112 - n.º serie 22768 - 23376)	2	
336546	Puerta - Delantera (E112 - n.º serie 0 - 23494)	1	
336551	Puerta - Delantera (E112 - n.º serie 23495 Plus) (F112 - todos)	1	1
482019	Perilla - Puerta delantera (negra)	4	4
570197	Pasador - Horquilla sin chaveta (puerta delantera)	1	1
624515-5	Junta tórica - Barra estator trasera (paquete de 5)	1	1
624545-5	Junta tórica - Barra estator delantera (paquete de 5)	1	1
624644-5	Junta tórica - Cuerpo de espita (inferior) (paquete de 5)	1	1
624645-5	Junta tórica - Cuerpo de espita (superior) (paquete de 5)	1	1
624678-5	Junta tórica - Sello posterior - Negra (paquete de 5)	1	1
625310	Junta cuádruple - Puerta delantera - Negra	1	1
630053	Barra - Actuador de torsión	1	1
666786	Sello posterior - Sinfin - Negro	1	1
2183099	Barra rompehielos - Cuerpo de espita	1	1
2183100	Aspa - Raspador (E112 - n.º serie 0 - 22767)	2	
2183444	Buje - Apoyo del estator (trasero)	1	1
2183446	Cuerpo de espita (E112 - n.º serie 0 - 23197)	1	
2183447	Manija solamente - Espita	1	1
2183449	Buje - Apoyo delantero sinfin (F112 - n.º serie 0 - 25280)	1	1
2183645	Barra actuador - Espita (E112 - n.º serie 0 - 22767)	1	
2183739	Cuerpo de espita (E112 - n.º serie 23198 Plus) (F112 - todos)	1	1
2183751	Aspa - Raspador		1
2183854	Aspa - Raspador (E112 - n.º serie 23377 Plus)	1	
2187188	Buje - Apoyo delantero sinfin (E112 - todos) (F112 - n.º serie 25281 Plus)	1	1
2187225	Eje del sinfin (F112 - n.º serie 0 - 25280)		1
2187600	Eje del sinfin	1	
2187941	Eje del sinfin		1
2202068	Barra del estator		1
2202181	Barra del estator	1	

5.3 PIEZAS DEL DEPÓSITO



Pieza	Descripción	Cantidad	
		E112	F112
194024	Botella - Sabores (plástica)	-	-
314466	Tapa - Depósito (E112 - sin LJS) (F112 - sin autollenado)	1	1
417006	Rejilla - Bandeja de goteo (metálica, para bandeja 744254)	1	1
20328	Rejilla - Bandeja de goteo (para bandeja 30302)	1	1
600082	Bomba - Sabores (botella plástica)	-	-
624607-5	Junta tórica - Entrada de mezcla (paquete de 5)	2	2
695706	Resorte - Ajuste de consistencia (verde)	1	
695707	Resorte - Ajuste de consistencia (amarillo)	1 (solo batido)	1
695714	Resorte - Ajuste de consistencia (rojo) (solo batido)		1
744252	Bandeja - Drenaje (largo 18 3/8")		1
30302	Bandeja - Goteo (SF112-38-ZX1)		
744254	Bandeja - Goteo (E112 - n.º serie 24587 Plus) (F112 - todos)	1	1
744273	Bandeja - Goteo (E112 - n.º serie 0 - 24586)	1	
744281	Bandeja - Drenaje (delantera) (largo 12 3/4")	1	1
744601	Bandeja - Drenaje (trasera)	1	
2177315	Tapa - Depósito (E112 - LJS) (F112 - juego autollenado)	-	-
2177316	Presilla - Retención (entrada mezcla) (juego autollenado)		-
2177317	Conjunto entrada mezcla (juego autollenado)		-
2183642	Conjunto entrada mezcla	1	
2183721	Conjunto entrada mezcla		1
2187039	Estante - Botella de sabores (F112)		-
2187041	Estante - Botella de sabores (E112)	-	
2187918	Conjunto entrada mezcla (LJS)		-
2187919	Presilla - Retención (entrada mezcla) (LJS)		-

5.4 OPCIONES DE AUTOLLENADO

Las máquinas E112 y F112 pueden configurarse fácilmente para usar un sistema de autollenado. El sistema de autollenado proporciona un suministro constante de mezcla no láctea a la máquina.

JUEGO DE AUTOLLENADO

Para usar un sistema de autollenado se necesita un juego de autollenado. El juego incluye un solenoide, tubos y una tapa de depósito nueva (el modelo F112 también incluye un transformador). Vea más abajo los números de pieza del juego de autollenado.

SISTEMAS DE AUTOLLENADO

Se ofrecen dos sistemas de autollenado: el Fill-O-Matic II y el Fill-O-Matic III. Vea más abajo los detalles sobre los sistemas de autollenado.

Fill-O-Matic II

El Fill-O-Matic II funciona con un tomacorriente y bombea hasta 60 galones (227 litros) por hora.

Fill-O-Matic III

El Fill-O-Matic III funciona con gas y bombea hasta 45 galones (170 litros) por hora.



Fill-O-Matic II y Fill-O-Matic III

Fill-O-Matic II	
Números de pieza	Sistema de autollenado: 4177349 Juego de autollenado E112: 2183807 Juego de autollenado F112: 2187101
Uso	Para usarse con sustancias alimenticias no lácteas que no representan un peligro potencial.
Dimensiones	L 11-1/2" x An 11-1/2" x Al 32-1/2"
Sistema eléctrico	115 VCA 60 Hz Cable eléctrico de 15 A incluido
Almacenamiento de	Tanque plástico de 15 galones
Proceso de limpieza	El colador extraíble facilita la limpieza

Fill-O-Matic III	
Números de pieza	Sistema de autollenado: 4177370 Juego de autollenado E112: 2183807 Juego de autollenado F112: 2187101
Uso	Para usarse con sustancias alimenticias no lácteas que no representan un peligro potencial.
Dimensiones	L 11-1/2" x An 11-1/2" x Al 27-1/2"
Sistema eléctrico	No requiere conexiones eléctricas Funciona con CO ₂ , nitrógeno o aire comprimido
Almacen. de mezcla	Tanque plástico de 15 galones
Proceso de limpieza	Limpieza in situ bombeando la solución a través de mangueras
Rendimiento	Bombea hasta 45 galones por hora

