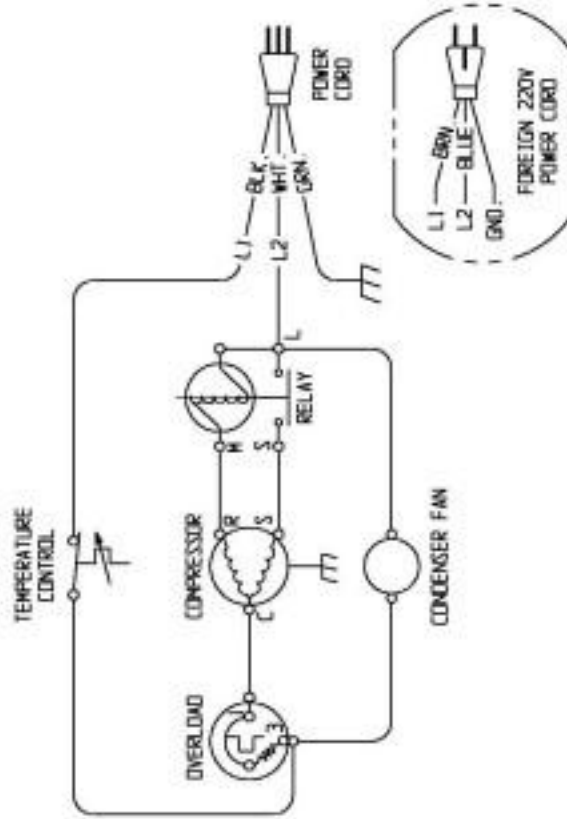
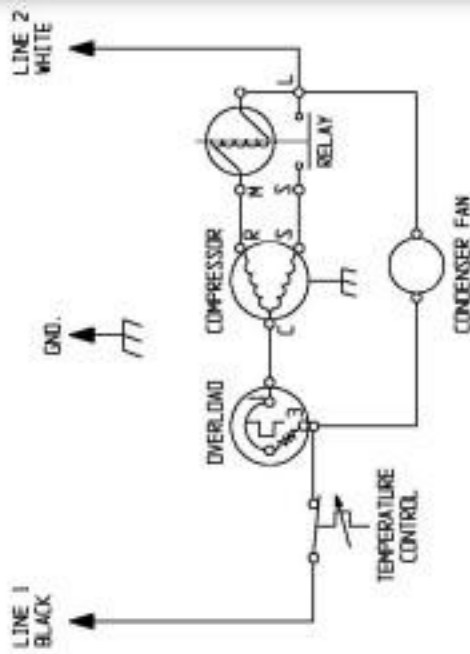


SEE SERIAL PLATE FOR CORRECT POWER SOURCE  
 115VAC, 60Hz, 1 PHASE  
 OR  
 220VAC, 60/50Hz, 1 PHASE



WIRING DIAGRAM  
 MODELS SK2SB