

# Technical Manual and Replacement Parts List

---

## Horizontal Bottle Coolers



MODELS SKBC50  
SKBC65  
SKBC95

**SILVER KING REFRIGERATION INC.**

1600 Xenium Lane North, Minneapolis, MN 55441-3787  
Phone (763) 923-2441

**SILVER KING**®

Specifications Subject to Change Without Notice.



**TECHNICAL MANUAL**  
**SILVER KING PREPARATION TABLES**  
**MODELS SKBC50, SKBC65, SKBC95**

Thank you for purchasing Silver King food service equipment. Our goal is to provide our customers with the most reliable equipment in the industry today. Please read this manual and the accompanying warranty information before operating your new Silver King unit. Be sure to complete and mail the warranty card within 10 days of purchase to validate your warranty.

**INSPECT FOR DAMAGE AND UNCRATE**

Upon delivery of your new Silver King unit, uncrate at once to inspect for possible freight damage following the instructions printed on the exterior of the container. Report any damages to the carrier responsible for transportation and promptly present a claim for any evidence of mishandling. Save all packaging materials if a claim is filed.

**INSTALLATION**

The exterior of the cabinet has been protected by a plastic covering during manufacturing and shipping. This covering can be readily stripped before installation. After removing this covering, wash the interior and exterior surfaces using a warm, mild soapy water solution and a sponge or cloth, rinse with clean water and dry.

**Location**

When locating your new bottle cooler, convenience and accessibility are important considerations, but the following installation guidelines must be followed:

- Always avoid placing the bottle cooler adjacent to an oven, heating element or hot air source that would affect the operation of the unit.
- For proper ventilation the bottle cooler can be installed tight on the sides and back with the rear bumpers installed.
- The top and front must be unobstructed.
- The unit must be level or tilted backwards slightly.
- If the unit is not on legs or casters it should be sealed to the floor with an NSF approved sealant to prevent water from getting under the unit.

**Dividers**

The bottle cooler comes with dividers to aid in separating stock. The spacing of the dividers is adjustable to suit various needs. The ends of the dividers fit into the mounting brackets on the front and rear of the liner. An additional hold-down bracket mounted to the top front mounting bracket holds them in place. This bracket must be removed using a Phillips screwdriver in order to install or adjust the spacers.

**Electrical Connections**

Be sure to check the data plate, located on the liner of the cabinet, for required voltage prior to connecting the unit to power. The specifications on the data plate supersede any future discussion.

The standard refrigerator is equipped with an eight (8) foot power cord that requires a 115 Volt, 60 Cycle, 1 Phase properly grounded electrical receptacle. The power cord comes with a 3-prong plug for grounding purposes. Any attempt to cut off the grounding spike or to connect to an ungrounded adapter plug will void the warranty, terminate the manufacturers responsibility and could result in serious injury.

The circuit must be protected with a 15 or 20 ampere fuse or breaker. The unit must be isolated on a circuit and not plugged into an extension cord.

**Initial start up**

After satisfying the installation requirements, the bottle cooler is ready to start. The Compressor will start when the power cord is connected to the required power source. If the Compressor does not start when the unit is initially plugged in, check to make sure that the Temperature Control is not in the "off" position. Allow the unit to run for two hours before loading it with product. When loading the unit with product, take care not to block the airflow in the cabinet as this would affect the unit's performance.

**Temperature Control**

The Temperature Control is located on the back wall of the cabinet liner and is factory set to maintain an average cabinet temperature of approximately 36 to 40 Deg F.. To obtain colder temperatures turn the Temperature Control stem clockwise and vice versa. Allow the unit a minimum of one hour to respond to a control setting adjustment.

**Defrost**

Your Silver King bottle cooler is an automatic defrost unit and no additional plumbing is required. Automatic defrosting is accomplished when frost buildup on the Evaporator Coil is cleared during Compressor "off" cycles. Defrost water is collected in a pan located in the compressor compartment where it is evaporated into the room air. It is important that the unit be installed level to allow proper drainage of the defrost water.

**MAINTENANCE**

Preventative maintenance is minimal although these few steps are very important to continued operation and maximizing the life of the appliance.

**Cabinet Surfaces**

The interior and exterior surfaces should be cleaned periodically with a solution of warm water and mild soap, rinsed and wiped dry with a soft cloth. A good stainless steel cleaner can also be used on the stainless steel surfaces. Should a surface become stained, do not attempt to clean with an abrasive cleanser or scouring pad. Use a soft cleanser and rub with the grain of the metal to avoid scratching the surface. Do not use chlorinated cleaners. Always rinse well and dry after cleaning. To help remove odors, the interior surfaces of the unit should be periodically cleaned with a solution of baking soda and warm water.

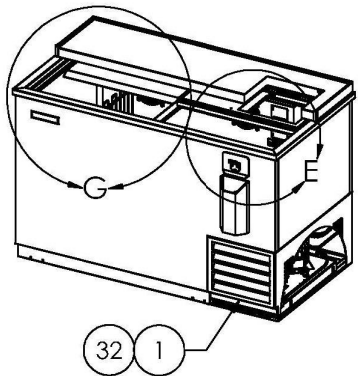
**Condenser**

Periodically the Condenser must be cleared of dust. The Condenser is located behind the front grill on the cabinet. To clean the Condenser simply remove the front grill and brush or vacuum the exposed condenser fins. This will need to be done regularly to maintain proper performance and increase the life of the unit.

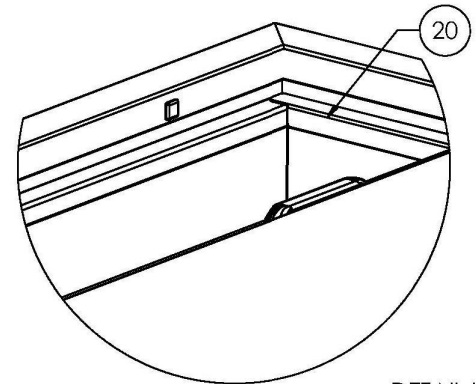
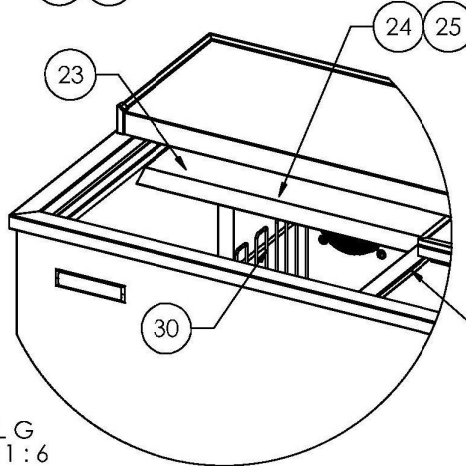
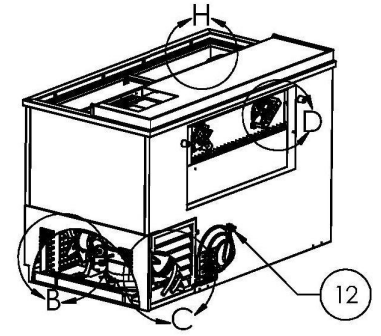
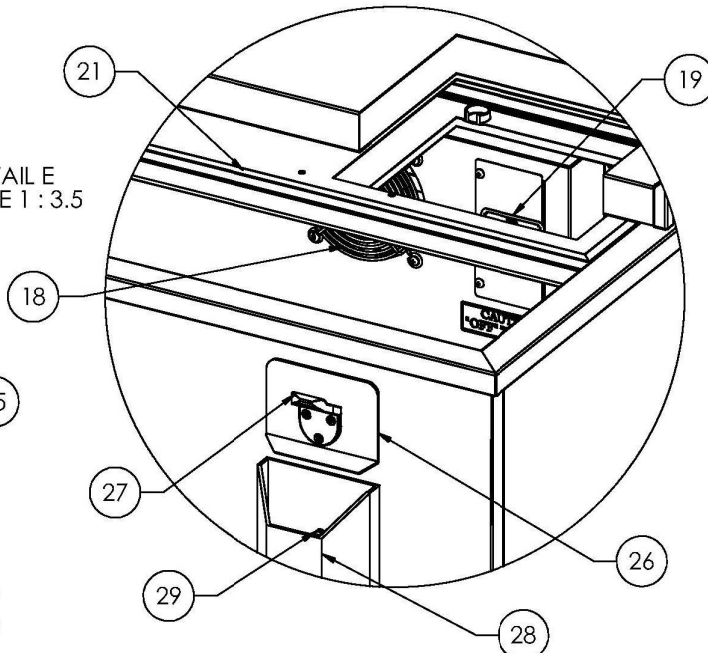
**Drain Pan**

The Drain Pan is located under the front grill and can be removed by pulling is out the front of the unit. Depending on local conditions the Drain Pan may need to be periodically emptied and cleaned.

MODEL \_\_\_\_\_ SERIAL NO. \_\_\_\_\_ DATE INSTALLED \_\_\_\_\_

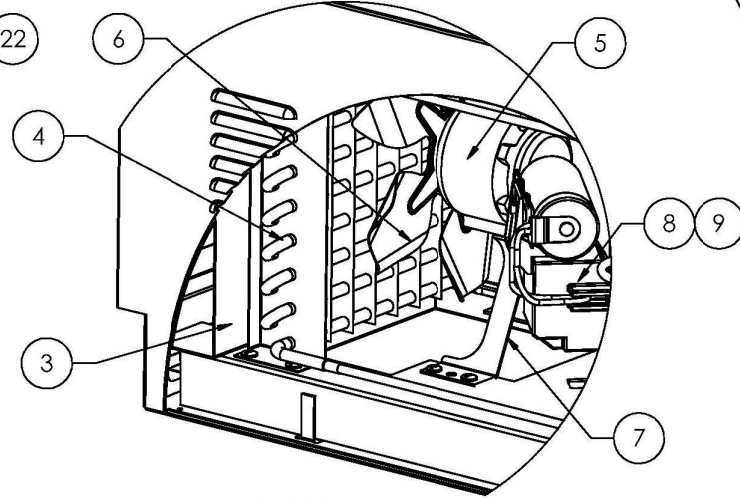


DETAIL E  
SCALE 1 : 3.5

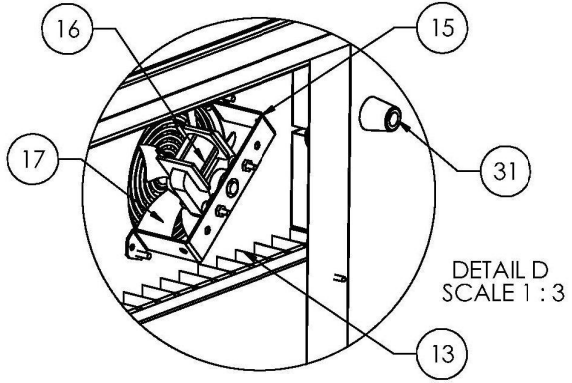


DETAIL H  
SCALE 1 : 2.5

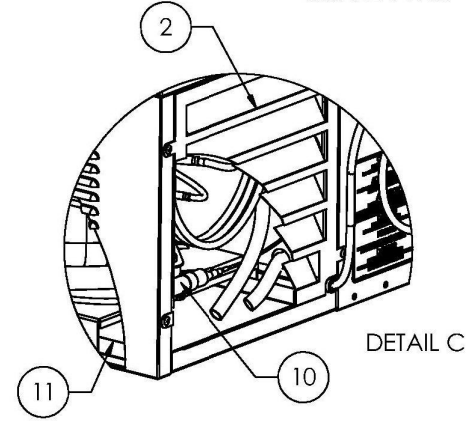
DETAIL G  
SCALE 1 : 6



DETAIL B  
SCALE 1 : 2.5



DETAIL D  
SCALE 1 : 3



DETAIL C

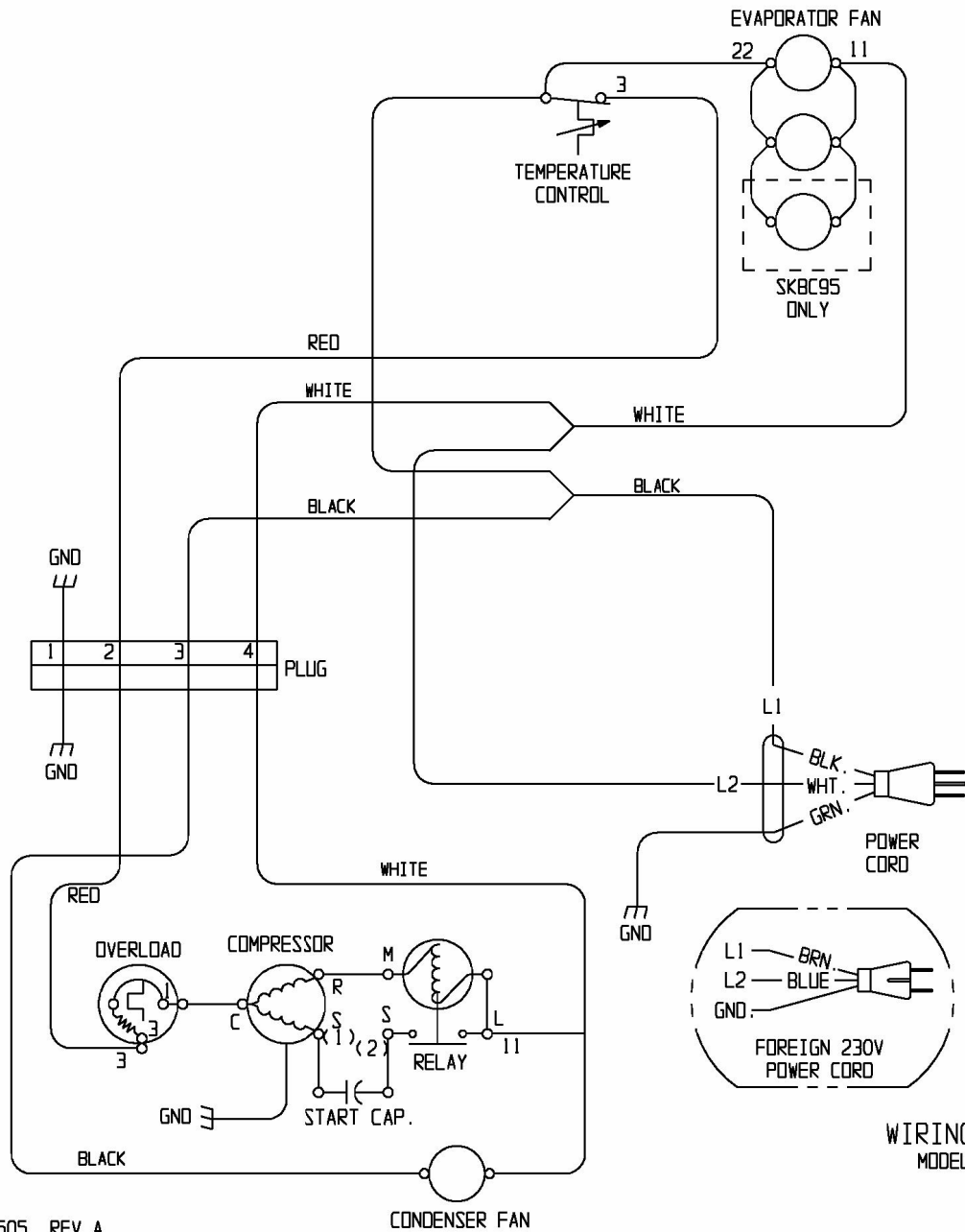
## REPLACEMENT PARTS LIST – MODELS SKBC50, SKBC65, SKBC95

FOR EQUIPMENT WITH SERIAL NUMBERS STARTING WITH ‘S’ ONLY

ITEM NUMBER	DESCRIPTION	PART NUMBER SKBC50	PART NUMBER SKBC65	PART NUMBER SKBC95
1	GRILL, FRONT (BLACK)	29000	29000	29000
	GRILL, FRONT (STAINLESS)	29985	29985	29985
2	GRILL, REAR (BLACK)	29410	29410	29410
	GRILL, REAR (STAINLESS)	29731	29731	29731
3	CONDENSER COVER	29686	29686	29686
4	CONDENSER COIL	26530	26530	26531
5	CONDENSER FAN MOTOR 115V	23921	23921	23921
6	CONDENSER FAN BLADE	30613	30613	30613
7	CONDENSER FAN MOTOR BRACKET	41450	41450	41450
8	COMPRESSOR KIT (W/ ELECTRICALS & DRIER) 115V	10343-41	10343-41	10343-41
9	COMPRESSOR ELEC. KIT (RELAY/OVERLOAD/CAPACITOR) 115V	10344-41	10344-41	10344-41
10	DRIER	22677	22677	22677
11	CONDENSATE DRAIN PAN	29457	29457	29457
12	POWER CORD 115V	43263	43263	43263
13	EVAPORATOR COIL	26532	26745	26533
14	HEAT EXCHANGER (NOT SHOWN)	29794	29794	29794
15	EVAPORATOR FAN MOTOR BRACKET	24494	24494	24494
16	EVAPORATOR FAN MOTOR 115V	21251-2	21251-2	21251-2
17	EVAPORATOR FAN BLADE	99196	99196	99196
18	EVAPORATOR FAN GUARD	41473	41473	41473
19	TEMPERATURE CONTROL	20889	20889	20889
20	DOOR GUIDE	29463	29463	29463
21	AIR DEFLECTOR	29012	29564	30829
22	CENTER MULLION	29003	30827	30828
23	DOOR	10335-26	10335-27	10335-27
24	DOOR HANDLE	28788	28788	28788
25	SCREW HANDLE	29456	29456	29456
26	BOTTLE CAP DEFLECTOR (BLACK)	43675	43675	43675
	BOTTLE CAP DEFLECTOR (STAINLESS)	29468	29468	29468
27	BOTTLE CAP OPENER	99972	99972	99972
28	BOTTLE CAP CATCHER (BLACK)	43674	43674	43674
	BOTTLE CAP CATCHER (STAINLESS)	29986	29986	29986
29	SHOULDER SCREW - CAP CATCHER	30432	30432	30432
30	DIVIDER	28734	28734	28734
31	BUMPER	23927	23927	23927
32	LATCH / STRIKE ASSY	30640	30640	30640

WHEN ORDERING REPLACEMENT PARTS, PLEASE PROVIDE MODEL AND SERIAL NUMBERS

5



WIRING DIAGRAM  
MODELS: SKBC50  
SKBC65  
SKBC95

SEE SERIAL PLATE FOR CORRECT POWER SOURCE  
115 VAC, 60 Hz, 1 PHASE  
OR  
230 VAC, 60/50 Hz, 1 PHASE

