

Technical Manual and Replacement Parts List

Direct Draw Beer Dispensers



MODELS SKDD2
SKDD3
SKDD4

SILVER KING REFRIGERATION INC.

1600 Xenium Lane North, Minneapolis, MN 55441-3787
Phone (763) 923-2441

SILVER KING®

Specifications Subject to Change Without Notice.



TECHNICAL MANUAL
SILVER KING PREPARATION TABLES
MODELS SKDD2, SKDD3, SKDD4

Thank you for purchasing Silver King food service equipment. Our goal is to provide our customers with the most reliable equipment in the industry today. Please read this manual and the accompanying warranty information before operating your new Silver King unit. Be sure to complete and mail the warranty card within 10 days of purchase to validate your warranty.

INSPECT FOR DAMAGE AND UNCRATE

Upon delivery of your new Silver King unit, uncrate at once to inspect for possible freight damage following the instructions printed on the exterior of the container. Report any damages to the carrier responsible for transportation and promptly present a claim for any evidence of mishandling. Silver King is not responsible for any damages incurred during shipping. Save all packaging materials if a claim is filed.

The back bar cooler was shipped on a skid. We recommend not removing the unit from the skid until it is as close as possible to the desired end location.

INSTALLATION

The exterior surfaces of the cabinet have been protected by a plastic covering during manufacturing and shipping. This covering can be readily stripped before installation. After removing this covering, wash the interior and exterior surfaces using a warm, mild soapy water solution and a sponge or cloth, rinse with clean water and dry.

Location

When locating your new back bar refrigerator, convenience and accessibility are important considerations, but the following installation guidelines must be followed;

- Always avoid placing the cooler adjacent to an oven, heating element or hot air source that would affect the operation of the unit.
- For proper ventilation the cooler can be installed tight on the sides and back with the rear bumpers installed. The front must be unobstructed.
- The unit must be level or tilted backwards slightly.
- If the unit is not on legs or casters it should be sealed to the floor with an NSF approved sealant to prevent water from getting under the unit.
- The cooler has a drain connection for overflow beer. There should be a floor drain nearby.

Draft Towers

Two single tap Draft Towers are supplied with each direct draw beer cooler. The Draft Towers mount to the top of the cabinet with four screws supplied. Be sure to install the rubber gasket supplied between the cabinet top and tower. After the Draft Towers are attached to the cabinet, insert the one inch diameter chill hoses supplied inside the cabinet, up into the draft towers. Remove the top covers of the Draft Towers and hook the clip on the chill hose over the insulating sleeve at the top of the Draft Tower. Replace the top covers. The chill hoses direct cool air into the Draft Tower to ensure cool beer in the towers. Consult beer distributor if uncertain of proper installation.

Drain

The overflow drain connection is located at the bottom front of the cabinet. To plumb the drain connect a 3/4 inch drain tube (not supplied) to one of the barbed fittings (leave other side capped) and run the drain tube to a floor drain.

CO2 Gas Manifold

A CO2 Gas Manifold, located on the left hand interior wall, is included in each direct draw beer cooler. Also included is tubing and clamps for connecting the CO2 lines from the tappers (supplied by beer distributor) to the manifold. A 'knockout' plug is provided in the left hand wall of the cabinet to provide access for a CO2 supply line from a remote CO2 cylinder to the manifold. Caution: CO2 tanks are potentially dangerous due to their internal pressure. If you are uncertain of their use or the connecting CO2 regulator it is highly recommended that the local beer distributor or service agent connects the CO2 system and tubing initially to assure proper procedure.

Electrical Connections

Be sure to check the data plate, located on the liner of the cabinet, for required voltage prior to connecting the unit to power. The specifications on the data plate supersede any future discussion.

The standard back bar cooler is equipped with an eight (8) foot power cord that requires a 115 Volt, 60 Cycle, 1 Phase properly grounded electrical receptacle. The power cord comes with a 3 prong plug for grounding purposes. Any attempt to cut off the grounding spike or to connect to an ungrounded adapter plug will void the warranty, terminate the manufacturers responsibility and could result in serious injury.

The circuit must be protected with a 15 or 20 ampere fuse or breaker. The unit must be isolated on a circuit and not plugged into an extension cord.

OPERATION

Initial Start-Up

After satisfying the installation requirements, the back bar cooler is ready to start. The Compressor will start when the power cord is connected to the required power source. If the Compressor does not start when the unit is initially plugged in, check to make sure that the Temperature Control is not in the "off" position. Allow the unit to run for two hours before loading it with product. When loading the unit with product, take care not to block the air flow in the cabinet as this would affect the units performance.

Temperature Control

The Temperature Control is located on the left end of the back wall of the cabinet interior and is factory set to maintain an average cabinet temperature of approximately 36 to 40 Deg F. To obtain colder temperatures turn the Temperature Control stem clockwise and vice versa. Allow the unit a minimum of one hour to respond to a control setting adjustment.

Defrost

Your Silver King bottle cooler is an automatic defrost unit and no additional plumbing is required. Automatic defrosting is accomplished when frost buildup on the Evaporator Coil is cleared during Compressor "off" cycles. Defrost water is collected in a pan located in the compressor compartment where it is evaporated into the room air. It is important that the unit be installed level to allow proper drainage of the defrost water.

Light

The on / off switch for the interior light is located on evaporator panel.

MAINTENANCE

Preventative maintenance is minimal although these few steps are very important to continued operation and maximizing the life of the appliance.

Cabinet Surfaces

The interior and exterior surfaces should be cleaned periodically with a solution of warm water and mild soap, rinsed and wiped dry with a soft cloth. A good stainless steel cleaner can also be used on the stainless steel surfaces. Should a surface become stained, do not attempt to clean with an abrasive cleanser or scouring pad. Use a soft cleanser and rub with the grain of the metal to avoid scratching the surface. Do not use chlorinated cleaners. Always rinse well and dry after cleaning. To help remove odors, the interior surfaces of the unit should be periodically cleaned with a solution of baking soda and warm water.

Condenser

Periodically the Condenser must be cleared of dust. The Condenser is located behind the front grill on the cabinet. To clean the Condenser simply remove the front grill and brush or vacuum the exposed condenser fins. This will need to be done regularly to maintain proper performance and increase the life of the unit.

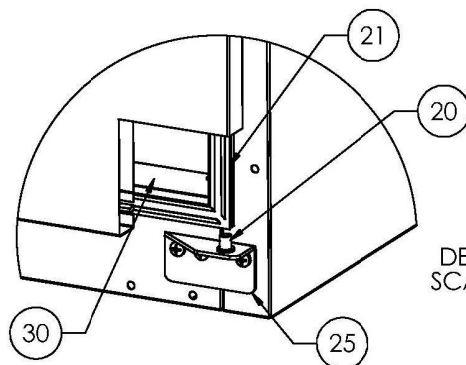
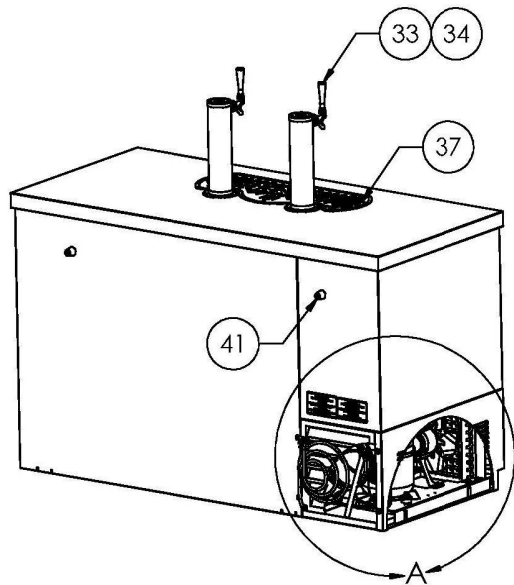
Drain Pan

The Drain Pan is located under the front grill and can be removed by pulling is out the front of the unit. Depending on local conditions the Drain Pan may need to be periodically emptied and cleaned.

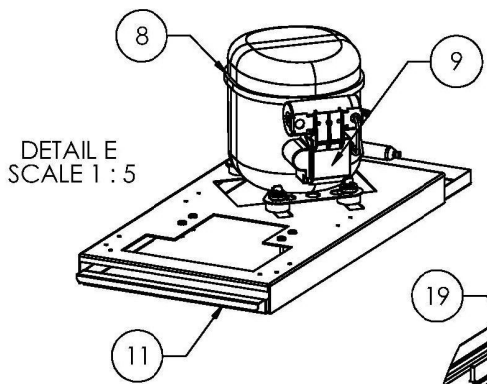
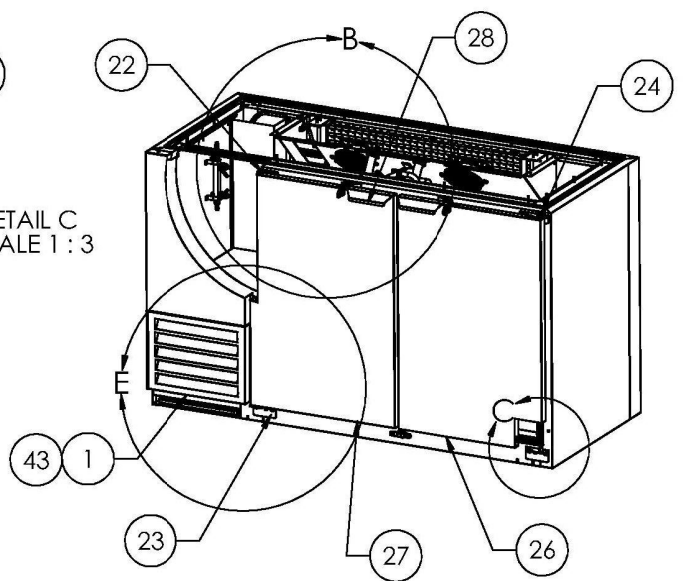
Door Gasket

The Door Gasket will collect dirt and should be wiped clean with a warm, mild soapy water solution to extend its life and assure maximum cabinet performance and life.

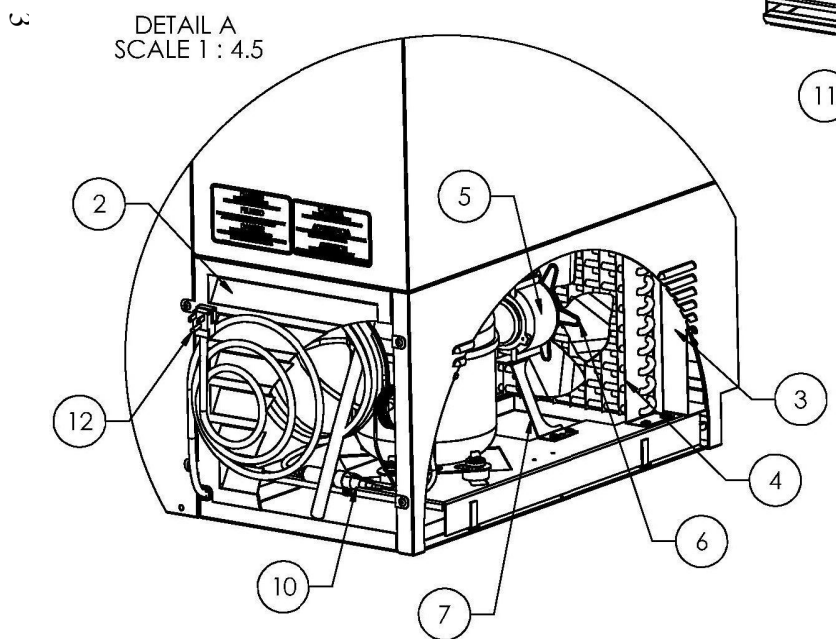
MODEL _____ SERIAL NO. _____ DATE INSTALLED _____



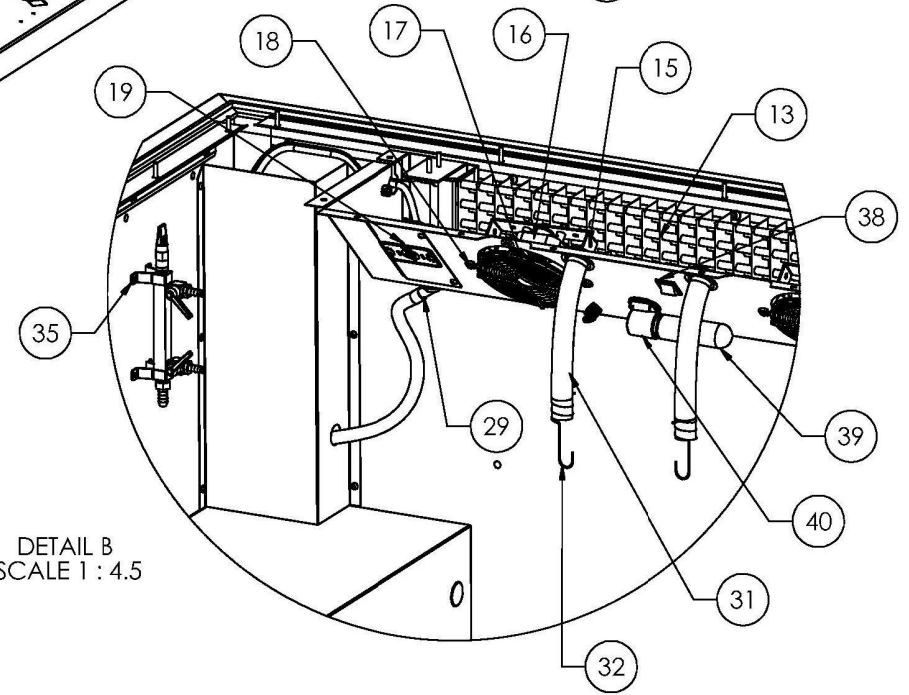
DETAIL C
SCALE 1 : 3



DETAIL E
SCALE 1 : 5



DETAIL A
SCALE 1 : 4.5



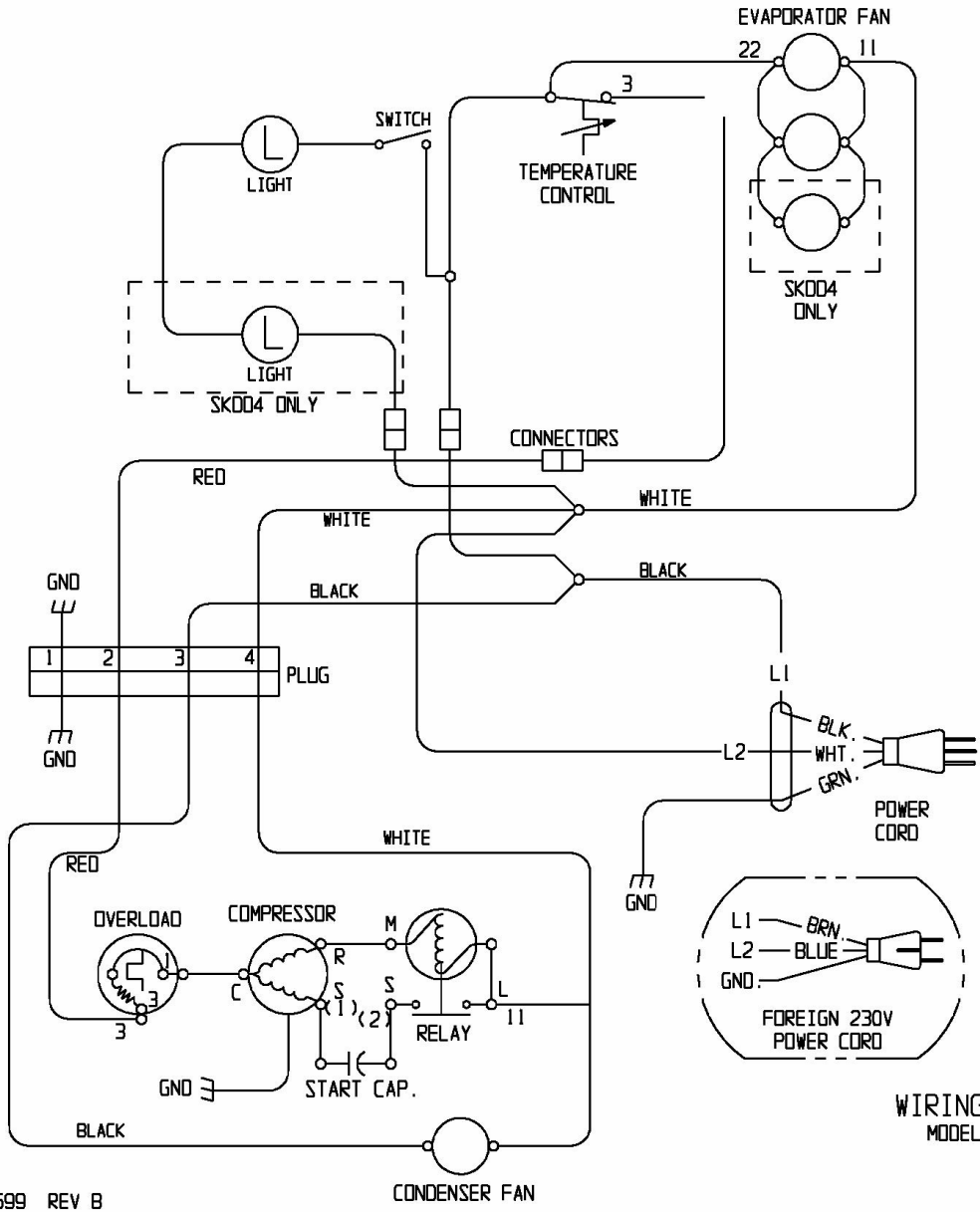
DETAIL B
SCALE 1 : 4.5

REPLACEMENT PARTS LIST – MODELS SKDD2, SKDD3, SKDD4

FOR EQUIPMENT WITH SERIAL NUMBERS STARTING WITH ‘S’ ONLY

| ITEM NUMBER | DESCRIPTION | PART NUMBER SKDD2 | PART NUMBER SKDD3 | PART NUMBER SKDD4 |
|-------------|------------------------------------------------------|-------------------|-------------------|-------------------|
| 1 | GRILL, FRONT (BLACK) | 29425 | 29425 | 29425 |
| | GRILL, FRONT (STAINLESS) | 30399 | 30399 | 30399 |
| 2 | GRILL, REAR (BLACK) | 29410 | 29410 | 29410 |
| | GRILL, REAR (STAINLESS) | 29731 | 29731 | 29731 |
| 3 | CONDENSER COVER | 29004 | 29004 | 29004 |
| 4 | CONDENSER COIL | 26530 | 26530 | 26531 |
| 5 | CONDENSER FAN MOTOR 115V | 23921 | 23921 | 23921 |
| 6 | CONDENSER FAN BLADE | 30613 | 30613 | 30613 |
| 7 | CONDENSER FAN MOTOR BRACKET | 41450 | 41450 | 41450 |
| 8 | COMPRESSOR KIT (W/ ELECTRICALS & DRIER) 115V | 10343-41 | 10343-41 | 10343-41 |
| 9 | COMPRESSOR ELEC. KIT (RELAY/OVERLOAD/CAPACITOR) 115V | 10344-41 | 10344-41 | 10344-41 |
| 10 | DRIER | 22677 | 22677 | 22677 |
| 11 | CONDENSATE DRAIN PAN | 29457 | 29457 | 29457 |
| 12 | POWER CORD 115V | 43263 | 43263 | 43263 |
| 13 | EVAPORATOR COIL | 26532 | 26745 | 26533 |
| 14 | HEAT EXCHANGER (NOT SHOWN) | 29799 | 29799 | 29799 |
| 15 | EVAPORATOR FAN MOTOR BRACKET | 24494 | 24494 | 24494 |
| 16 | EVAPORATOR FAN MOTOR 115V | 21251-2 | 21251-2 | 21251-2 |
| 17 | EVAPORATOR FAN BLADE | 22943 | 22943 | 22943 |
| 18 | EVAPORATOR FAN GUARD | 41473 | 41473 | 41473 |
| 19 | TEMPERATURE CONTROL | 24089 | 24089 | 24089 |
| 20 | BUSHING HINGE | 99711 | 99711 | 99711 |
| 21 | DOOR GASKET (SOLID DOOR) | 29263 | 29263 | 29263 |
| 22 | HINGE, TOP LEFT (SOLID DOOR) | 29280 | 29280 | 29280 |
| 23 | HINGE, BOTTOM LEFT (SOLID DOOR) | 29274 | 29274 | 29274 |
| 24 | HINGE, TOP RIGHT (SOLID DOOR) | 29269 | 29269 | 29269 |
| 25 | HINGE, BOTTOM RIGHT(SOLID DOOR) | 29283 | 29283 | 29283 |
| 26 | DOOR, RIGHT HAND (SOLID, BLACK) | 10335-22 | 10335-22 | 10335-22 |
| | DOOR, RIGHT HAND (SOLID, STAINLESS) | 10335-23 | 10335-23 | 10335-23 |
| 27 | DOOR, LEFT HAND (SOLID, BLACK) | 10335-24 | 10335-24 | 10335-24 |
| | DOOR, LEFT HAND (SOLID, STAINLESS) | 10335-25 | 10335-25 | 10335-25 |
| 28 | DOOR HANDLE (SOLID DOOR) | 29261 | 29261 | 29261 |
| 29 | DRAIN | 24302 | 24302 | 24302 |
| 30 | THRESHOLD GUARD | 29173 | 29173 | 29173 |
| 31 | CHILL HOSE | 24272 | 24272 | 24272 |
| 32 | CHILL HOSE SPRING HOOK | 24273 | 24273 | 24273 |
| 33 | DRAFT TOWER | 24279 | 24279 | 24279 |
| 34 | DOUBLE SPICKET DRAFT TOWER (NOTSHOWN) | 25078 | 25078 | 25078 |
| 35 | 2 - WAY CO ₂ GAS MANIFOLD | 24515 | 24515 | 24515 |
| | 3 - WAY CO ₂ GAS MANIFOLD | | 25083 | 25083 |
| | 4 - WAY CO ₂ GAS MANIFOLD | | | 25084 |
| 36 | CO ₂ GAS TUBE AND CLAMP SET (NOT SHOWN) | 25079 | 25079 | 25079 |
| 37 | DRIP TRAY COVER | 29230 | 29230 | 29230 |
| 38 | LAMP SWITCH | 26378 | 26378 | 26378 |
| 39 | LAMP | 24596 | 24596 | 24596 |
| 40 | LAMP SOCKET | 24290 | 24290 | 24290 |
| 41 | BUMPER | 23927 | 23927 | 23927 |
| 43 | LATCH/ STRIKE ASSY | 30640 | 30640 | 30640 |

WHEN ORDERING REPLACEMENT PARTS, PLEASE PROVIDE MODEL AND SERIAL NUMBERS



WIRING DIAGRAM
 MODELS: SKOD2
 SKOD3
 SKOD4

SEE SERIAL PLATE FOR CORRECT POWER SOURCE
 115 VAC, 60 Hz, 1 PHASE OR
 230 VAC, 60/50 Hz, 1 PHASE

