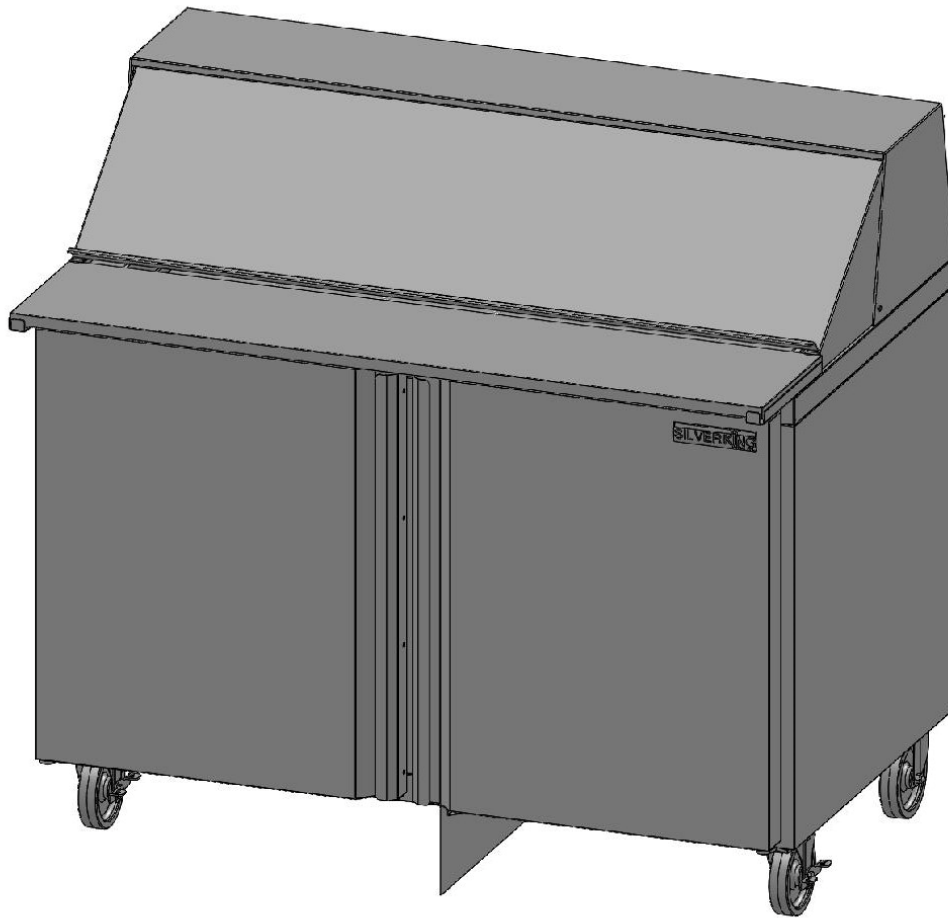


# Technical Manual and Replacement Parts List

---

## Refrigerated Prep Table



**MODEL SKEPT4812**

1600 Xenium Lane North, Minneapolis, MN 55441-3787  
Phone (763) 923-2441

**SILVER KING**<sup>®</sup>

FORM 39980 REV D 09/2018

Specifications Subject to Change Without Notice.



**TECHNICAL MANUAL**  
**SILVER KING PREPARATION TABLES**  
**MODEL SKEPT4812**

Thank you for purchasing Silver King food service equipment. Our goal is to provide our customers with the most reliable equipment in the industry today. Please read this manual and the accompanying warranty information before operating your new Silver King unit.

**INSPECT FOR DAMAGE AND UNCRATE**

Upon delivery of your new Silver King unit, uncrate at once to inspect for possible freight damage following the instructions printed on the exterior of the container. Report any damages to the carrier responsible for transportation and promptly present a claim for any evidence of mishandling. Save all packaging materials if a claim is filed.

**PRECAUTIONS BEFORE USING THIS PRODUCT**

- This appliance is not intended for use by persons (including children) with reduced physical, sensory or mental capabilities, or lack of experience and knowledge, unless they have been given supervision or instruction concerning use of the appliance by a person responsible for their safety.
- Use caution when cleaning the condenser, the fins are very sharp.
- For units with a dual hertz rating, no adjustments are required for normal operation.
- If the supply cord is damaged, it must be replaced by the manufacturer, its service agent or similarly qualified persons in order to avoid a hazard.
- This refrigeration unit is not intended to be used at altitudes higher than 2000 meters.
- Do not store explosive substances such as aerosol cans with a flammable propellant in this appliance.
- Do not exceed the maximum load capacity of 50 pounds per shelf.
- Use caution when moving, installing, maintaining and using this refrigeration device to avoid either damaging the refrigerant tubing or increasing the risk of a leak.
- All component parts must be replaced with like components and all servicing must be done by factory authorized service personnel, so as to minimize the risk of possible ignition due to incorrect parts or improper service.

**FOR HYDROCARBON UNITS ONLY (R290)**

**Danger** – Risk of fire or explosion. Flammable refrigerant used. To be repaired only by trained service personnel. Do not puncture refrigeration tubing.

**Danger** – Risk of fire or explosion. Flammable refrigerant used. Do not use mechanical devices to defrost refrigerator/freezer. Do not puncture refrigeration tubing.

**Caution** – Risk of fire or explosion. Flammable refrigerant used. Consult repair manual/owner's guide before attempting to service this product. All safety precautions must be followed.

**Caution** – Risk of fire or explosion. To be repaired only by trained service personnel. Use only Silver King approved replacement parts. Flammable refrigerant used.

**Caution** – Risk of fire or explosion. Dispose of properly in accordance with federal or local regulations. Flammable refrigerant used.



**WARNING:** This product can expose you to chemicals including lead, which are known to the State of California to cause cancer, birth defects, or other reproductive harm.

## **INSTALLATION**

The stainless steel exterior of the cabinet has been protected by a plastic covering during manufacturing and shipping. This covering can be readily stripped before installation. After removing this covering, wash the interior and exterior surfaces using a warm, mild soapy water solution and a sponge or cloth, rinse with clean water and dry.

### **Legs/Casters**

The unit comes with Legs or Casters. To install them, tilt the unit and thread the Legs or Casters into the 4 Rivnuts in the bottom of the cabinet. Make sure that they are installed tightly to prevent future thread wear.

### **Condenser Air Curtain**

The Air Curtain is packaged inside the unit. The instructions for installing this part are included in this technical manual. Do not operate the unit without the air curtain installed!

### **Pans and Pan Supports**

The Pans and Pan Supports are packaged with the unit. Instructions for locating the Pan Supports are included in this technical manual.

### **Cutting Board**

The Cutting Board Brackets and mounting instructions are shipped with the cabinet. After the Cutting Board Brackets are in place, the Cutting Board will nest inside them.

### **Shelves**

Inside the unit you will find Shelves and a plastic bag containing Shelf Supports. The Shelf Supports with the "tang" go on the rear Pilasters. This shelf system allows for easy adjustment to suit your needs.

### **Door Adjustment**

Should the Door ever require straightening, loosen the Screws on the Hinges, square the Door with the cabinet and retighten the Screws.

### **Location**

When locating your new refrigerator, convenience and accessibility are important considerations, but the following installation guidelines must be followed;

- Always avoid placing the refrigerator adjacent to an oven, heating element or hot air source that would affect the operation of the unit.
- For proper ventilation the bottom front of the unit must not be obstructed. The unit must be on legs or casters to raise it off the floor. The unit can be installed tight on the sides and back.
- The unit must be level or tilted backwards slightly.

### **Electrical Connections**

Be sure to check the data plate, located on the liner of the cabinet, for required voltage prior to connecting the unit to power. The specifications on the data plate supersede any future discussion.

Your Silver King refrigerator is equipped with an eight (8) foot power cord. Any attempt to modify the plug will void the warranty, terminate the manufacturers responsibility, and could result in serious injury.

If the supply cord is damaged, it must be replaced by the manufacturer, its service agent or similarly qualified persons in order to avoid a hazard.

The circuit must be protected with a 15 or 20 ampere fuse or breaker. The unit must be isolated on a circuit and not plugged into an extension cord.

### **Energy Rating**

Your Silver King refrigerator has a class 5 energy rating. The refrigerator was tested at an ambient temperature of 40°C at 40% relative humidity.

## **OPERATION**

### **Initial start up**

After satisfying the installation requirements, the refrigerator is ready to start. The Compressor will start when the power cord is connected to the required power source. If the Compressor does not start when the unit is initially plugged in, check to make sure that the Temperature Control is not in the "off" position. Allow the unit to run for two hours before loading it with product. When loading the unit with product, take care not to block the air flow in the cabinet as this would affect the units performance.

### **Temperature Control**

The Temperature Control is located on the back panel of the cabinet and is factory set to maintain an average cabinet temperature of approximately 38 degrees F (3 Degrees Celsius). To obtain colder temperatures, press and hold the set button until the set point value flashes. Use the up or down arrow buttons to change the value and then press the set button again. Allow the unit a minimum of one hour to respond to a control setting adjustment.

### **Defrost**

Your Silver King refrigerator unit defrosts naturally and no additional plumbing is required. Defrosting is accomplished when frost buildup on the Evaporator Coil is cleared during Compressor "off" cycles. Defrost water is collected in a pan located in the compressor compartment where it is evaporated into the room air. It is important that the unit be installed level to allow proper drainage of the defrost water.

## **MAINTENANCE**

Preventative maintenance is minimal although these few steps are very important to continued operation and maximizing the life of the appliance.

### **Cabinet Surfaces**

The cabinet interior is aluminum and the exterior is stainless steel. These surfaces should be cleaned periodically with a solution of warm water and mild soap, rinsed and wiped dry with a soft cloth. A good stainless steel cleaner can also be used. Should a surface become stained, do not attempt to clean with an abrasive cleanser or scouring pad. Use a soft cleanser and rub with the grain of the metal to avoid scratching the surface. Do not use chlorinated cleaners. Always rinse well and dry after cleaning.

### **Condenser**

Periodically, accumulated dust must be removed from the condenser. First, disconnect the unit from the power supply. To clear the dust, vacuum or brush the condenser at the bottom rear of the cabinet. This will need to be done regularly to maintain the compressor warranty!

**WARNING: The condenser fins are very sharp, use caution when cleaning the condenser.**

### **Door Gasket**

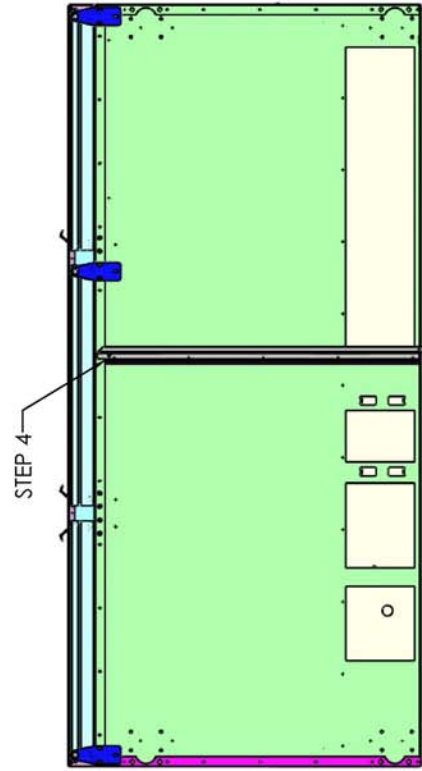
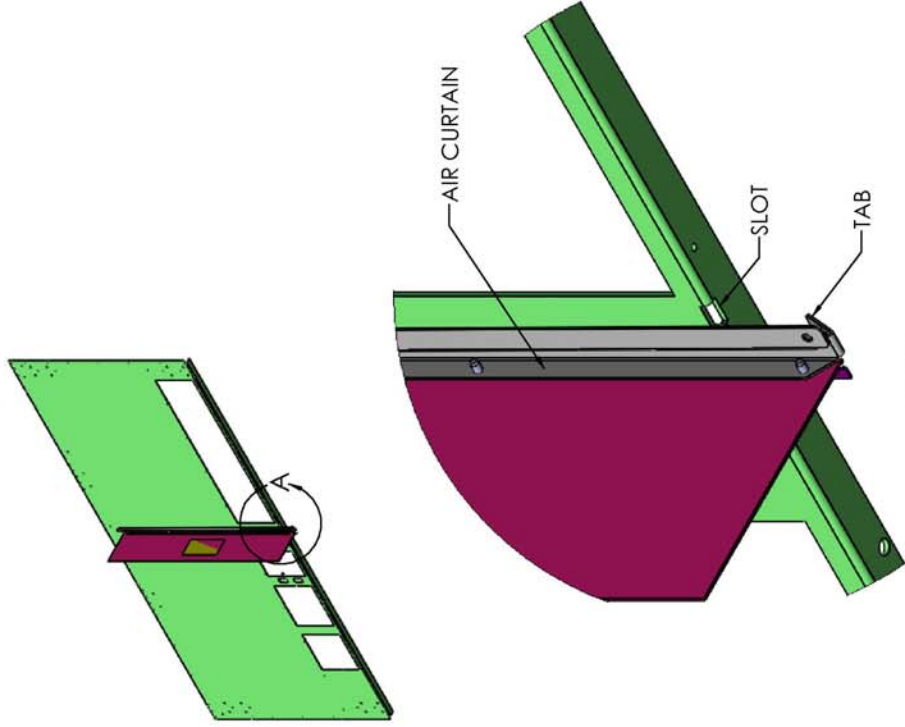
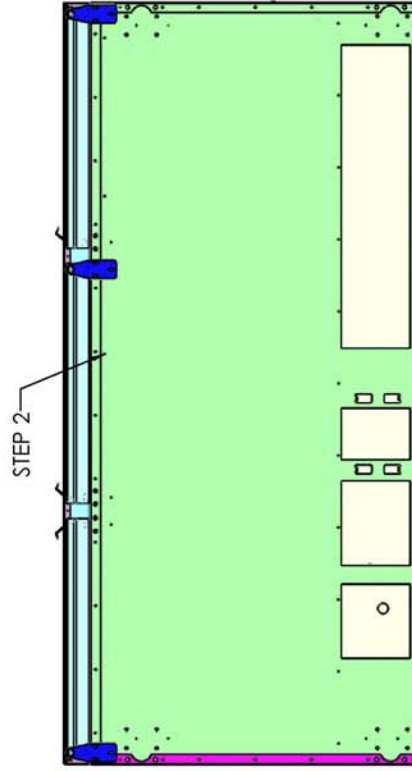
The Door Gasket will collect dirt and should be wiped clean with a warm, mild soapy water solution to extend its life and assure maximum cabinet performance and life.

## AIR CURTAIN INSTALLATION INSTRUCTIONS

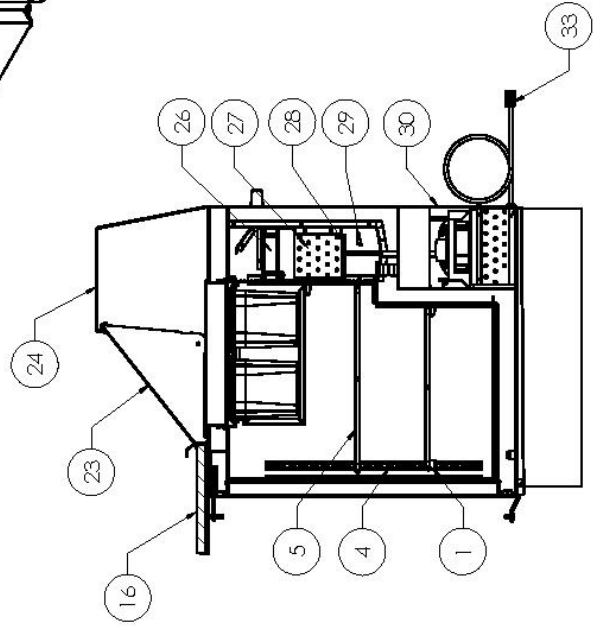
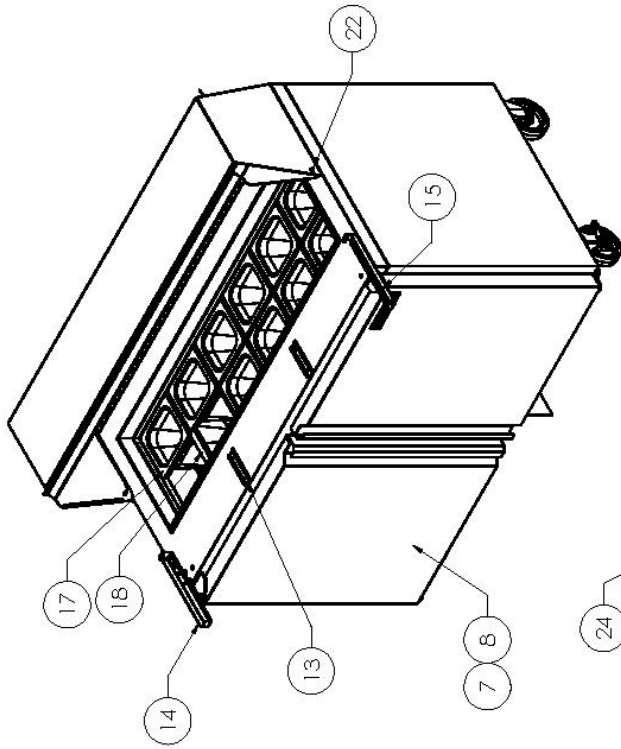
MODELS: SKP278, SKP2712, SKP277/D, SKR27D, SKF27D, SKR48, SKF48, SKP4812, SKP4818/D, SKR60, SKP6016, SKP6024/D, SKP7218, SKP7230, SKP760/D, SKP792/D

DO NOT OPERATE UNIT WITHOUT AIR CURTAIN INSTALLED

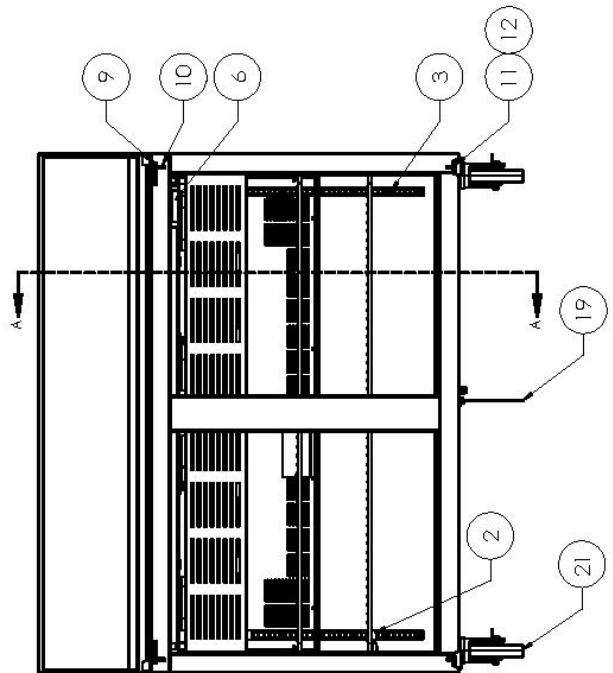
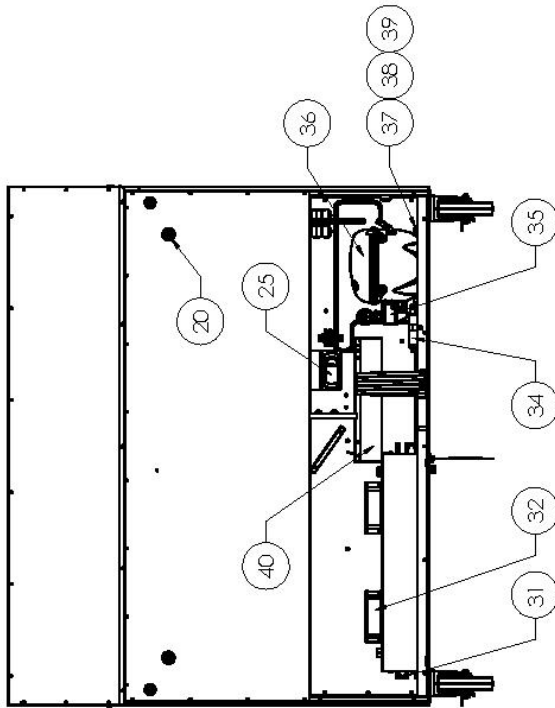
1. Disconnect unit from power source.
2. Tip the unit on its back and loosen the center screw along the front edge of the base.
3. Insert the tab on the end of the air curtain into the slot located along the rear lower edge of the unit.
4. Slip the opposite end of the air curtain under the screw head loosened in step 2, pull forward, and tighten screw to secure the air curtain to the base.
5. Install legs or casters.
6. Return unit to original upright position.



STEP 3



SECTION A A

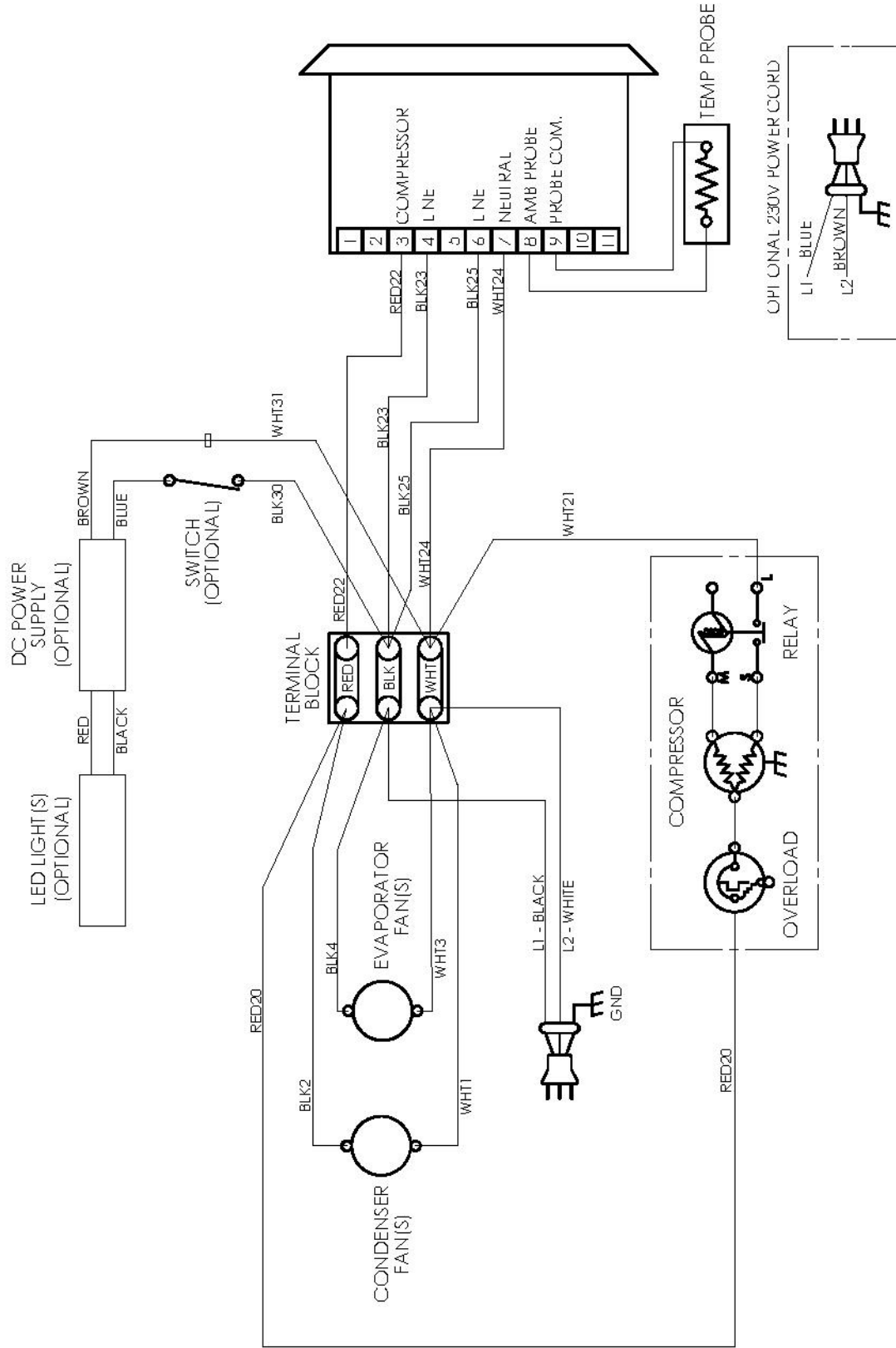


# REPLACEMENT PARTS LIST – SKEPT4812-SD

ITEM NO.	PART DESCRIPTION	PART NO.
1	SHELF SUPPORT	99530
2	SHELF SUPPORT W/TANG	99531
3	PILASTER - 9.5"	29256
4	PILASTER - 20"	24600
5	SHELF KIT	32479
6	TEMPERATURE INDICATOR	22409
7	DOOR COMPLETE	38333
8	DOOR GASKET	10310-78
9	HINGE TOP	27181
10	PIN TOP HINGE	22415
11	DOOR BUSHING	99711
12	HINGE BOTTOM	24549
13	SUPPORT CUTTING BOARD	23851
14	BRACKET 10" CUTTING BOARD (LH)	38581
15	BRACKET 10" CUTTING BOARD (RH)	38582
16	CUTTING BOARD 10"	23763
17	PAN 1/6TH SIZE 4" DEEP PLASTIC	43581
18	PAN ADAPTER	25567
19	AIR CURTAIN	27269
20	BUMPER	99574
21	CASTER KIT 5 INCH (2) W/ BRAKES	10314-03
	CASTER KIT 5 INCH NO BRAKES	10314-103
22	HINGE PIN PAN COVER	23849
23	FRONT PAN COVER	63702
24	HOOD ASSEMBLY REAR	38587
25	TEMPERATURE CONTROL ELECTRONIC	39612
26	FAN MOTOR 115V EVAPORATOR	39577
27	EVAPORATOR COIL	39370
28	EXPANSION VALVE	39884
29	PROBE TEMPERATURE	38822
30	BACK PANEL	38423
31	CONDENSER COIL	39369
32	FAN MOTOR 115V CONDENSER	39577
33	POWER CORD 115V	32199
34	DRIER	22677
35	KIT COMPRESSOR ELECTRICALS 115V	11701-8
36	KIT COMPRESSOR 115V/60HZ (W/ELECTRICALS & DRIER)	11700-8
37	GROMMET COMPRESSOR MOUNT	20481
38	WASHER COMPRESSOR MOUNT	22401
39	HAIRPIN CLIP COMPRESSOR MOUNT	98106
40	CONDENSATE PAN ASSEMBLY	38593

FORM 39979

WHEN ORDERING REPLACEMENT PARTS, PLEASE PROVIDE MODEL AND SERIAL NUMBERS.



WIRING DIAGRAM 39904  
REV A



## LIMITED WARRANTY

Silver King Refrigeration warrants to the original purchaser of Silver King refrigerated equipment that the equipment shall be free from defects in material and workmanship under normal use and service as outlined in the Technical Manual. This limited warranty shall apply for a period of one (1) year from the date of original purchase. The Compressor will carry an additional four (4) year warranty. All warranties are subject to specific limitations outlined below.

This limited warranty does not apply to repair or replacement required as a result of carelessness, neglect and/or abuse, including improper installation, incorrect voltage supply, tampering with or altering components and/or equipment or failure to perform proper maintenance. Equipment damaged in transit, by fire, flood or an act of God is not covered. This limited warranty does not include freight, handling, installation, labor (following the one (1) year labor warranty period) or other incidental or consequential costs including product and/or economic loss. This limited warranty is in lieu of all other warranties, express or implied, including those of merchantability, and is non-transferable.

Specific provisions of this limited warranty are as follows:

### **One (1) Year Parts Warranty**

Silver King warrants to the original purchaser of new Silver King equipment that such equipment and all parts thereof will be free of defects in material and workmanship, under normal use and service, for a period of one (1) year from the date of original purchase or 18 months from the date of shipment from the factory, whichever comes first, subject to all terms and conditions herein.

This warranty is limited to repairing or replacing any parts that, at Silver King's discretion, are deemed to be defective within the time period covered by this warranty. The one year parts warranty covers reasonable freight and handling charges. It does not cover special handling charges or expedited means for transport. Use of non-OEM parts may, at Silver King's discretion, void this warranty. If approved, warranty credit for non-OEM parts will be issued at the OEM cost.

Replacement parts sold separately are warranted for 90-days from date of purchase.

### **Five (5) Year Compressor Warranty**

Silver King warrants to the original purchaser for a period of five (5) years from the date of original purchase or five (5) years and six (6) months from the date of shipment from the factory, whichever comes first, that it will replace the compressor with one of similar design and capacity, exclusive of delivery and installation charges, if it is found to Silver King's satisfaction to be inefficient or inoperative due to defects in material or factory workmanship. It is the owner's responsibility to return the serial plate of the defective compressor, or at Silver King's option the complete compressor, to the factory. Failure to do so will void the warranty.

### **Three (3) Year Heavy Duty Drawer Slide Warranty**

Silver King warrants to the original purchaser for a period of three (3) years from the date of original purchase or three (3) years and six (6) months from the date of shipment from the factory, whichever comes first, that it will replace the heavy duty drawer slides with one of similar design and capacity, exclusive of delivery and installation charges, if it is found to Silver King's satisfaction to be inefficient or inoperative due to defects in material or factory workmanship.

### **One (1) Year Labor Warranty**

Silver King warrants to the original purchaser for a period of one (1) year from the date of purchase or 18 months from the date of shipment from the factory, whichever comes first, a limited service labor warranty on Silver King refrigerated equipment subject to the following terms;

A factory issued Service Authorization Number must be obtained prior to work being performed under the labor warranty. Call your supplier or Silver King. Claims submitted without a Service Authorization Number will be paid at Silver King's discretion.

The labor warranty includes standard straight time labor charges in accordance with Silver King's Labor Warranty Guidelines and reasonable travel time, as determined by Silver King.

The warranty does not cover original installation, startup, normal adjustments or maintenance. Normal adjustments and maintenance include, but are not limited to; temperature control adjustments, temperature indicator calibrations, coil and filter cleaning, condensate drain cleaning.

A second service call for a related failure is not covered.

Use of refrigerants other than specified on the equipment serial plate voids the warranty.

All claims must include; model and serial number of equipment, date of purchase, date of failure, and a copy of the service invoice detailing the defect and service performed. No claim will be processed without this information. All claims must be filed within 60 days from date of service.

P/N 26355 Revision C