

Technical Manual and Replacement Parts List

Freezer



MODEL: **SKF27AD**

SILVER KING REFRIGERATION INC.

1600 Xenium Lane North, Minneapolis, MN 55441-3787
Phone (763) 923-2441

SILVER KING®

FORM NO. 37505 REV C

Specifications Subject to Change Without Notice.



TECHNICAL MANUAL
SILVER KING FRONT BREATHING FREEZER
MODEL SKF27AD

Thank you for purchasing Silver King food service equipment. Our goal is to provide our customers with the most reliable equipment in the industry today. Please read this manual and the accompanying warranty information before operating your new Silver King unit. Be sure to complete and mail the warranty card within 10 days of purchase to validate your warranty.

INSPECT FOR DAMAGE AND UNCRATE

Upon delivery of your new Silver King unit, uncrate at once to examine and test for possible damage following the instructions printed on the exterior of the container. Report any damages to the carrier responsible for transportation and promptly present a claim for any evidence of mishandling. Save all packaging materials if a claim must be filed.

INSTALLATION

The stainless steel exterior of the cabinet has been protected by a plastic covering during manufacturing and shipping. This covering can be readily stripped before installation. After removing this covering, wash the interior and exterior surfaces using a warm, mild soapy water solution and a sponge or soft cloth. Rinse afterward with clean water and wipe dry. Do not use chlorinated cleaners.

Location:

When locating your new Silver King unit, convenience and accessibility are important considerations, but the following installation guidelines must be observed;

- Always avoid locating the unit adjacent to an oven, heating element or hot air source which could adversely affect the performance of the unit.
- The unit must be level.
- For proper ventilation, the bottom front of the unit must not be obstructed.

Legs/Casters:

Models without a base come with Legs or Casters. To install them, tilt the unit and thread the Legs or Casters into the four Rivnuts in the bottom of the cabinet. Make sure that they are installed tightly to prevent future thread wear.

Drawers:

To remove the Drawers on the drawer models for cleaning, simply open them fully, push the stop levers out of the way on the Cabinet Drawer Tracks while pulling the Drawer out. To reinstall the Drawer, line up the Drawer Tracks on the cabinet and the Drawer and push the Drawer into the cabinet. The Drawer Pan can be removed by lifting it out with the Drawer extended.

Electrical Connections:

Be sure to check the data plate, located on the liner of the cabinet, for required voltage prior to connecting the unit to a power source. The specifications on the data plate supersede any future discussion.

The standard unit is equipped with an eight (8) foot power cord that requires a 115 Volt, 60 Cycle, 1 Phase **properly grounded** electrical receptacle. The power cord comes with a 3 prong plug for grounding purposes. Any attempt to cut off the grounding spike or to connect to an ungrounded adapter plug will void the warranty, terminate the manufacturers responsibility and could result in serious injury.

The circuit must be protected with a 15 or 20 ampere fuse or breaker. The unit must be isolated on a circuit and not plugged into an extension cord.

OPERATION

Initial Start Up:

After satisfying the installation requirements, the unit is ready to start. The unit will start when the power cord is connected to the required power source. If the compressor does not start when the unit is initially plugged in, check to make sure that the temperature control is not in the 'off' position. Allow the unit to run a minimum of two hours before loading it with product. When loading the unit with product, take care not to block the air flow at the back of the cabinet as this would affect the performance of the cabinet.

Temperature Control:

The Temperature Control is located on the back wall of the cabinet liner and is factory set to maintain an average cabinet temperature of 0 Deg. F. To obtain colder temperatures turn the Temperature Control stem clockwise and visa versa with a flat blade screwdriver. Allow the unit a minimum of one hour to respond to a control setting adjustment.

Defrost:

Your Silver King unit is an automatic defrost unit. No additional plumbing is required. Automatic defrosting is accomplished by a defrost heater and timer. Frost buildup on the evaporator coil is cleared at six hour intervals. Defrost water is collected in a pan located in the compressor compartment where it is evaporated into the room air. It is important that the unit be level so the condensate can drain properly.

MAINTENANCE

Preventative maintenance is minimal although these few steps are very important to continued operation and maximizing the life of the appliance.

Cabinet Surfaces:

The cabinet interior and exterior are stainless steel. These surfaces should be cleaned periodically with a solution of warm water and mild soap. After cleaning the surfaces should be rinsed with clean water and wiped dry with a soft cloth. Stainless steel cleaners can also be used. Should a surface become stained, do not attempt to clean with an abrasive cleaner or scouring pad. Use a soft cleanser and rub with the grain of the metal to avoid scratching the surface. Always rinse well and dry after cleaning. Do not use chlorinated cleaners.

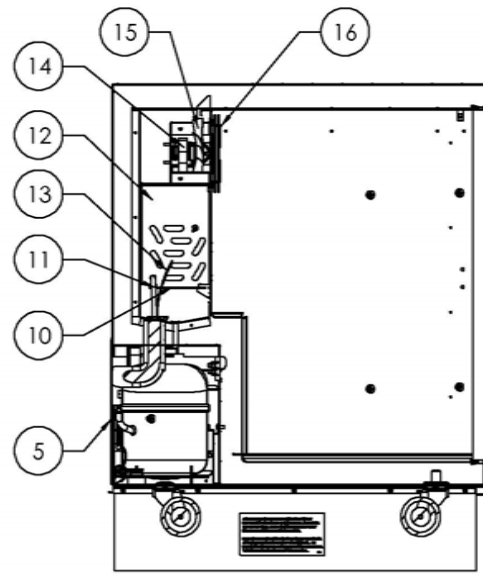
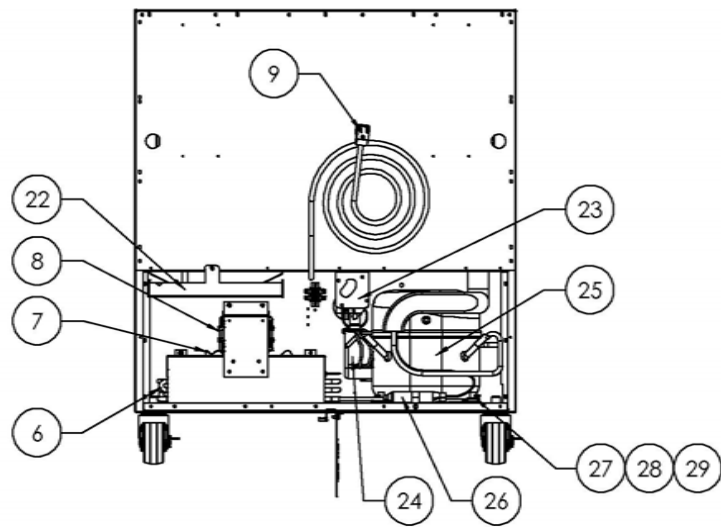
Condenser

Periodically, accumulated dust must be removed from the condenser. First, disconnect the unit from the power supply. To clear the dust, vacuum or brush the condenser at the rear of the cabinet. This will need to be done regularly to maintain the compressor warranty!

Drawer Gasket

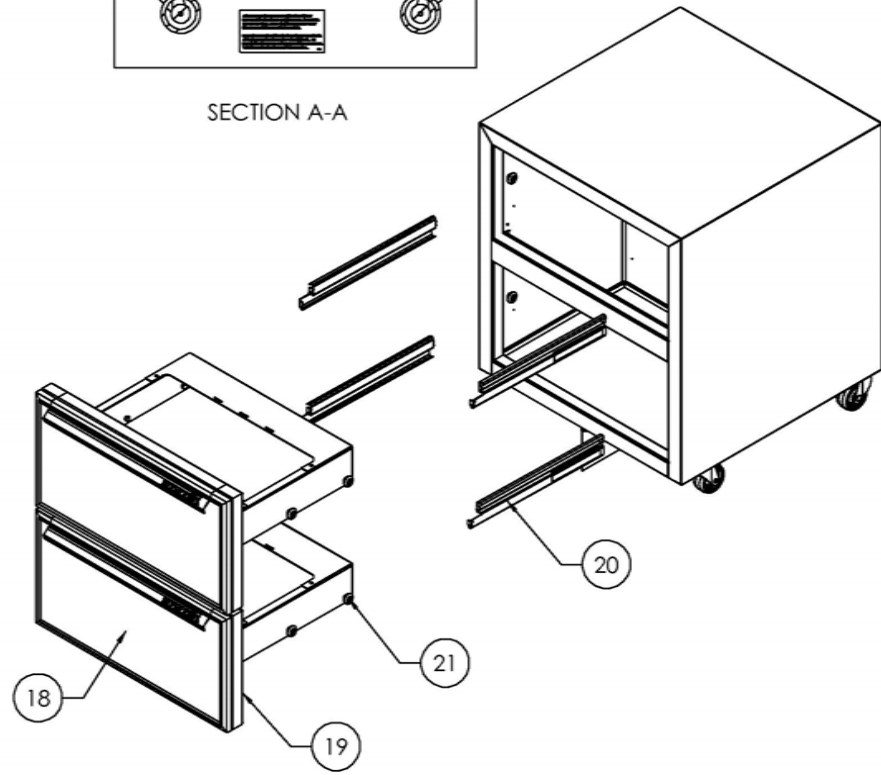
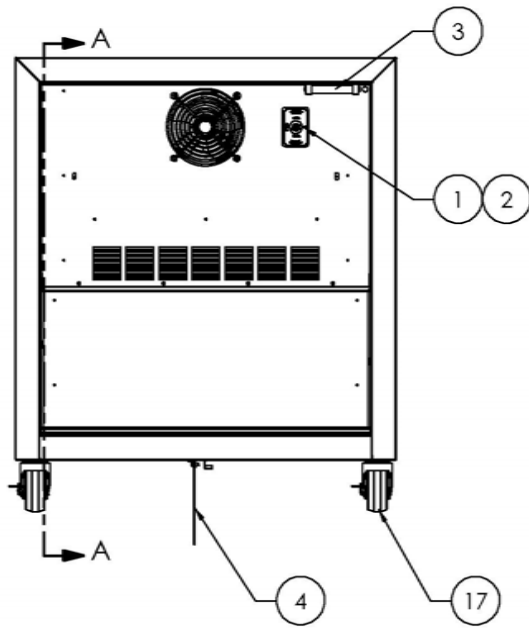
The Drawer Gasket will collect dirt and should be wiped clean with a warm, mild soapy water solution to extend its life and assure maximum cabinet performance and life.

MODEL _____ SERIAL NO. _____ DATE INSTALLED _____



SECTION A-A

3



REPLACEMENT PARTS LIST - SKF27AD

ITEM NO.	PART DESCRIPTION	PART NO.
1	TEMPERATURE CONTROL	42870
2	PLATE, TEMPERATURE CONTROL	20653
3	TEMPERATURE INDICATOR	22409
4	AIR CURTAIN	27269
5	REAR PANEL	37457
6	CONDENSER COIL	43339
7	CONDENSER FAN BLADE, 6.75"	24194
8	CONDENSER FAN MOTOR, 115V	36173
	CONDENSER FAN MOTOR, 230V	43193
9	POWER CORD, 115V	43263
	POWER CORD, 230V	23514
10	DEFROST HEATER, 115V	26072
	DEFROST HEATER, 230V	26073
11	HEAT EXCHANGER 115V	28083
	HEAT EXCHANGER 230V	63653
12	EVAPORATOR COIL	63455
13	DEFROST THERMOSTAT	33338
14	EVAPORATOR FAN MOTOR, 115V/60HZ	21256
	EVAPORATOR FAN MOTOR, 230V/50HZ	21256-1
15	EVAPORATOR FAN BLADE, 5"	99196
16	FAN GUARD	41473
17	CASTER KIT, 3"	10314-63
18	DRAWER ASSEMBLY	26905
19	DRAWER GASKET	10310-51
20	DRAWER SLIDES AND ROLLERS	26943
21	DRAWER ROLLER - SINGLE	10327-15
22	CONDENSATE PAN	35414
23	DEFROST TIMER, 115V	99291
	DEFROST TIMER, 230V	99296
24	ELECTRICAL KIT, 115V (RELAY, OVERLOAD, CAPACITOR)	10344-76
	ELECTRICAL KIT, 230V (RELAY, OVERLOAD, CAPACITOR)	10344-61
25	COMPRESSOR, 115V/60HZ	10343-76
	COMPRESSOR, 230V/50HZ	10343-61
26	DRIER	23793
27	GROMMET, COMPRESSOR MOUNT	20481
28	WASHER, COMPRESSOR MOUNT	22401
29	HAIRPIN CLIP	98106

FORM 37504

WHEN ORDERING REPLACEMENT PARTS, PLEASE PROVIDE MODEL AND SERIAL NUMBERS.

