

Technical Manual and Replacement Parts List

Commercial Refrigerator



MODEL SKF3

SILVER KING REFRIGERATION INC.

1600 Xenium Lane North, Minneapolis, MN 55441-3787
Phone (763) 923-2441

SILVER KING[®]

Specifications Subject to Change Without Notice.



TECHNICAL MANUAL
SILVER KING COMMERCIAL REFRIGERATOR
MODEL SKF3

Thank you for purchasing Silver King food service equipment. Our goal is to provide our customers with the most reliable equipment in the industry today. Please read this manual and the accompanying warranty information before operating your new Silver King unit. Be sure to complete and mail the warranty card within 10 days of purchase to validate your warranty.

INSPECT FOR DAMAGE AND UNCRATE

Upon delivery of your new Silver King unit, uncrate at once to inspect for possible freight damage following the instructions printed on the exterior of the container. Report any damages to the carrier responsible for transportation and promptly present a claim for any evidence of mishandling. Save all packaging materials if a claim is filed.

INSTALLATION

The stainless steel exterior of the cabinet has been protected by a plastic covering during manufacturing and shipping. This covering can be readily stripped before installation. After removing this covering, wash the interior and exterior surfaces using a warm, mild soapy water solution and a sponge or cloth, rinse with clean water and dry.

Legs/Casters

The unit comes with Legs or Casters. To install them, tilt the unit and thread the Legs or Casters into the 4 tapping plates in the bottom of the cabinet. Make sure that they are installed tightly to prevent future thread wear.

Condenser Filter Screen

The Condenser Filter Screen is installed on the unit. It is located underneath the compressor in a slot above the base.

Cutting Board

The Cutting Board is mounted on knobs installed on the front top surface of the cabinet.

Shelves

Inside the unit you will find Shelves and a plastic bag containing Shelf Supports. The Shelf Supports with the "tang" go on the rear Pilasters. This shelf system allows for easy adjustment to suit your needs.

Door Adjustment and Swing

Should the Door ever require straightening, loosen the Screws on the Hinges, square the Door with the cabinet and retighten the Screws.

The mounting of the Door is easily reversible on single door units should space or convenience require that you do so. Simply remove the Screws holding the Hinges, rotate the Door 180 degrees and relocate the Hinges on the side opposite their original location.

Location

When locating your new refrigerator, convenience and accessibility are important considerations, but the following installation guidelines must be followed;

*Always avoid placing the refrigerator adjacent to an oven, heating element or hot air source that would affect the operation of the unit.

*For proper ventilation the bottom front of the unit must not be obstructed. The unit must be on legs or casters to raise it off the floor. The unit can be installed tight on the sides and must have at least 4" of clearance in back.

*The unit must be level or tilted backwards slightly.

Electrical Connections

Be sure to check the data plate, located on the liner of the cabinet, for required voltage prior to connecting the unit to power. The specifications on the data plate supersede any future discussion.

The standard refrigerator is equipped with an eight (8) foot power cord that requires a 115 Volt, 60 Cycle, 1 Phase **properly grounded** electrical receptacle. The power cord comes with a 3 prong plug for grounding purposes. Any attempt to cut off the grounding spike or to connect to an ungrounded adapter plug will void the warranty, terminate the manufacturers responsibility and could result in serious injury.

The circuit must be protected with a 15 or 20 ampere fuse or breaker. The unit must be isolated on a circuit and not plugged into an extension cord.

OPERATION

Initial start up

After satisfying the installation requirements, the refrigerator is ready to start. The Compressor will start when the power cord is connected to the required power source. If the Compressor does not start when the unit is initially plugged in, check to make sure that the Temperature Control is not in the "off" position. Allow the unit to run for two hours before loading it with product. When loading the unit with product, take care not to block the air flow in the cabinet as this would affect the units performance.

Temperature Control

The Temperature Control is located on the back wall of the cabinet liner and is factory set to maintain an average cabinet temperature of approximately 36 to 40 Deg F. To obtain colder temperatures turn the Temperature Control stem clockwise and vice versa. Allow the unit a minimum of one hour to respond to a control setting adjustment.

Defrost

Your Silver King refrigerator is an automatic defrost unit and no additional plumbing is required. Automatic defrosting is accomplished when frost buildup on the Evaporator Coil is cleared during Compressor "off" cycles. Defrost water is collected in a pan located in the compressor compartment where it is evaporated into the room air. It is important that the unit be installed level to allow proper drainage of the defrost water.

MAINTENANCE

Preventative maintenance is minimal although these few steps are very important to continued operation and maximizing the life of the appliance.

Cabinet Surfaces

The cabinet interior is aluminum and the exterior is stainless steel. These surfaces should be cleaned periodically with a solution of warm water and mild soap, rinsed and wiped dry with a soft cloth. A good stainless steel cleaner can also be used. Should a surface become stained, do not attempt to clean with an abrasive cleanser or scouring pad. Use a soft cleanser and rub with the grain of the metal to avoid scratching the surface. Do not use chlorinated cleaners. Always rinse well and dry after cleaning.

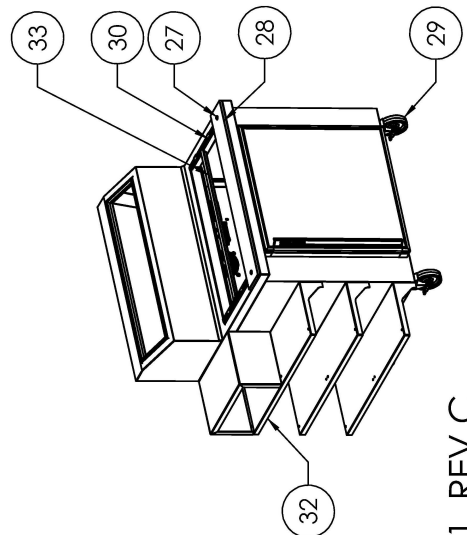
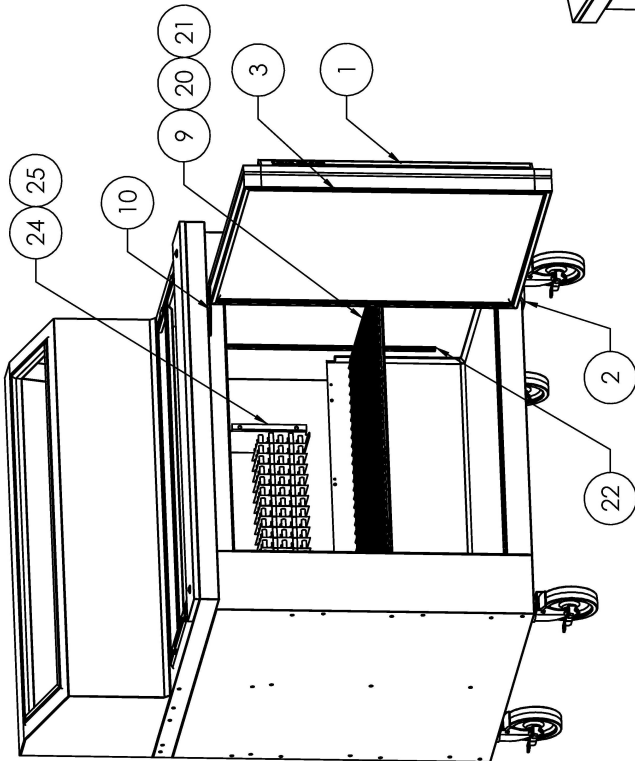
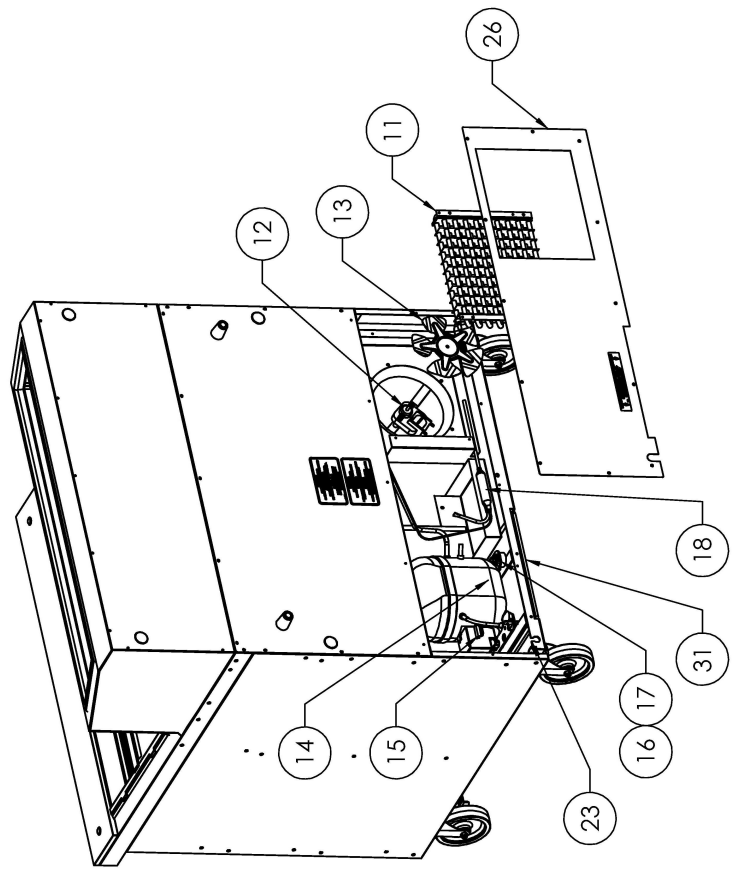
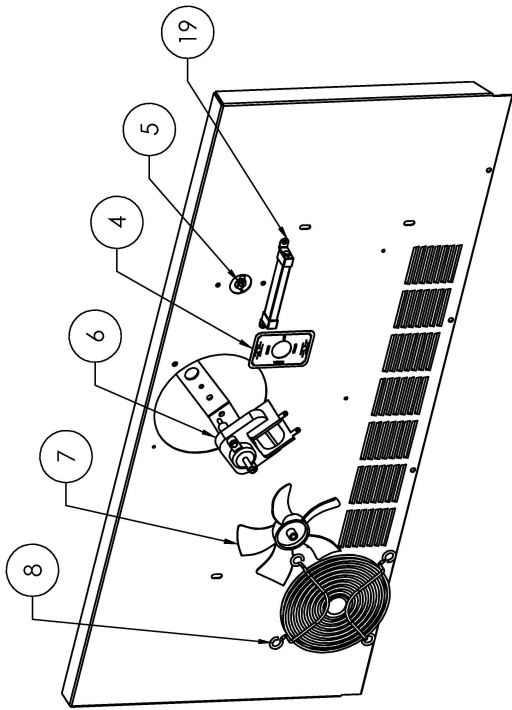
Condenser

Periodically the Condenser Filter Screen must be cleaned. The Condenser Filter Screen is located on the bottom of the cabinet. To clean it simply pull it out the back of the unit and rinse it in a stream of water. Dry the screen by tapping it on a counter or floor. Replace the filter screen by sliding it back into its slot underneath the compressor. Do not operate the unit without the filter screen installed!

Door Gasket

The Door Gasket will collect dirt and should be wiped clean with a warm, mild soapy water solution to extend its life and assure maximum cabinet performance and life.

MODEL _____ SERIAL NO. _____ DATE INSTALLED _____

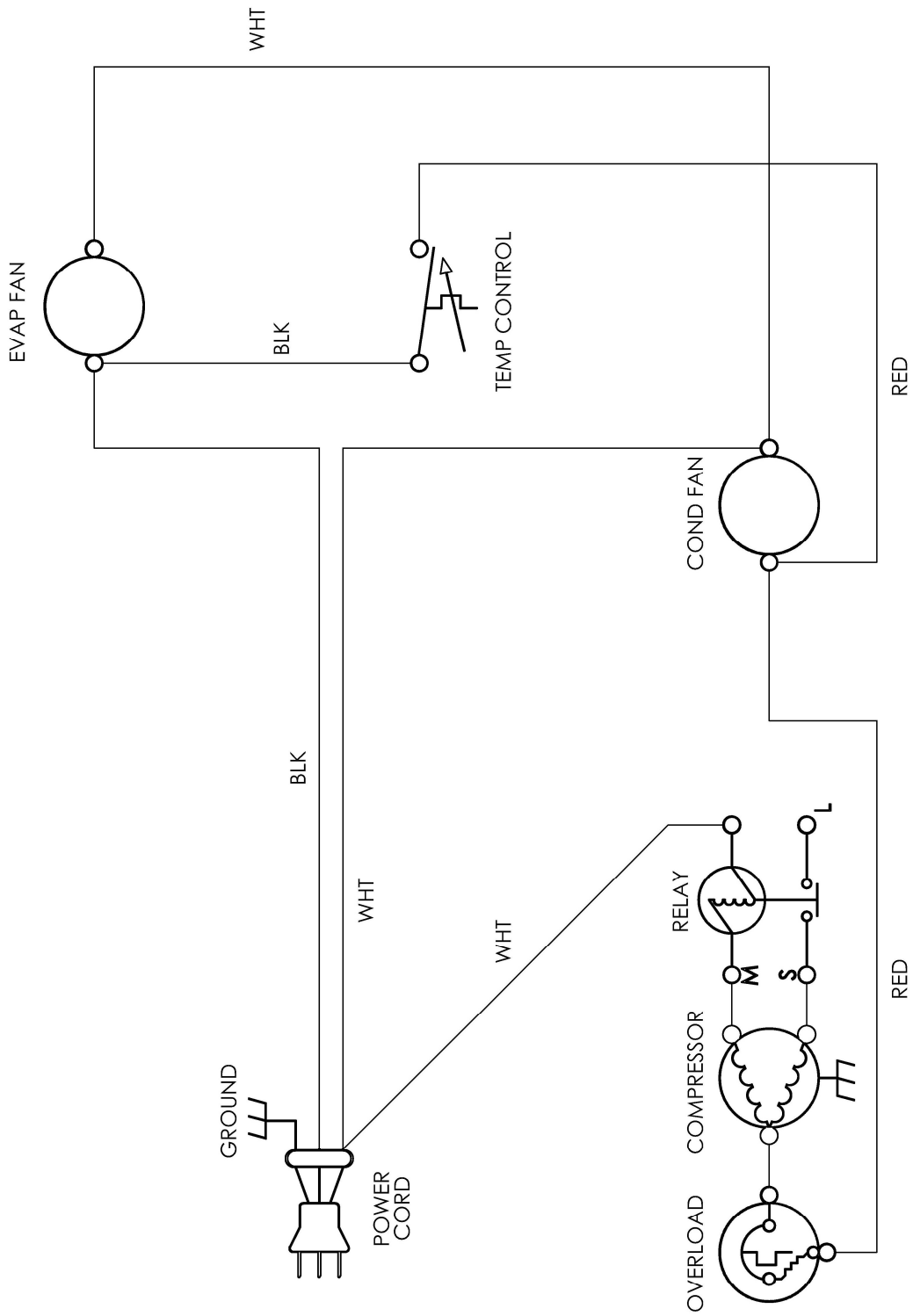


33791 REV C

REPLACEMENT PARTS LIST – MODEL SKF3

ITEM NO.	PART DESCRIPTION	PART NO.
1	ASSY DOOR	25885
2	PLATE HINGE BTM	24549
3	DOOR GASKET	10310-44
4	PLATE, TEMPERATURE CONTROL	20653
5	TEMPERATURE CONTROL	20889
6	EVAPORATOR FAN MOTOR 115V	21251-2
7	EVAPORATOR FAN BLADE 5"	99196
8	GUARD EVAP FAN BLADE	41473
9	SHELF WIRE	33732
10	HINGE, TOP	25368
11	CONDENSER COIL	61498
12	CONDENSER FAN MOTOR 115V	21251-2
13	CONDENSER FAN BLADE 6.5"	23137
14	KIT COMPRESSOR, 115V	10343-63
15	KIT COMPRESSOR ELECTRICALS 115V	10344-63
16	GROMMET COMPRESSOR MOUNT	20481
17	HAIRPIN CLIP	98106
18	DRIER	22677
19	THERMOMETER	22409
20	SHELF SUPPORT WITH TANG	99531
21	SHELF SUPPORT	99530
22	PILASTER 20 IN	24600
23	POWER CORD 115V	43263
24	EVAPORATOR COIL	63455
25	HEAT EXCHANGER	33784
26	REAR PANEL	33692
27	KNOB THREADED	24305
28	BD CTG	33731
29	KIT CASTER	10314-03
30	BAR PAN ADAPTER SIDE	34243
31	SCREEN FILTER	33733
32	KIT SIDE SHELF	10327-23
33	BAR PAN ADAPTER	34257

WHEN ORDERING REPLACEMENT PARTS, PLEASE PROVIDE MODEL AND SERIAL NUMBERS



33783 REV A