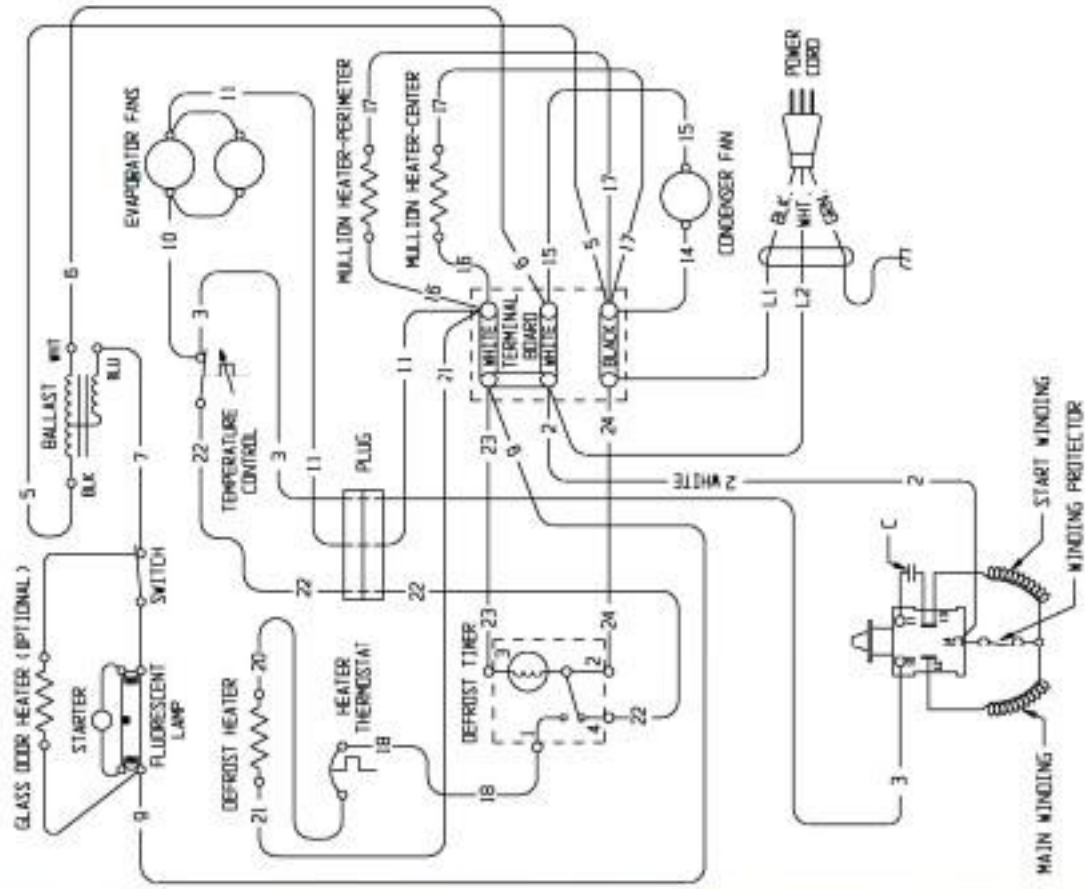
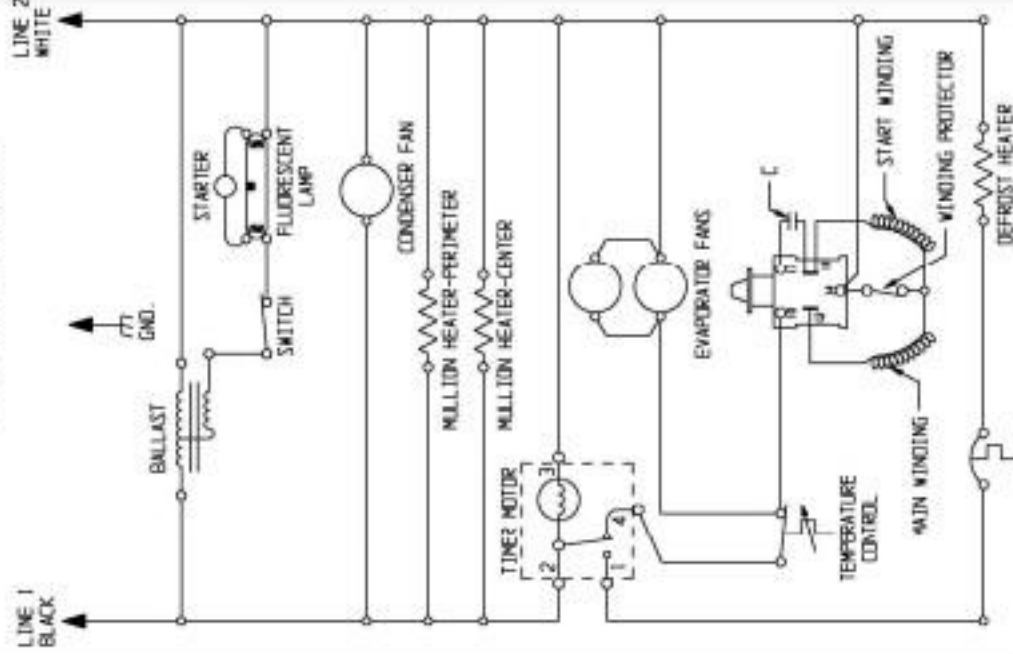


SEE SERIAL PLATE FOR CORRECT POWER SOURCE  
PAGE 1, 115 VAC, 60HZ, 1PHASE



WIRING DIAGRAM  
MODEL 56F48