

# Technical Manual and Replacement Parts List

---

## Majestic Milk Dispensers



**MODEL SKMAJ1**

1600 Xenium Lane North, Minneapolis, MN 55441-3787  
Phone (763) 923-2441

**SILVER KING®**

FORM NO. 45391 REV A 11/2019

Specifications Subject to Change Without Notice.



## TECHNICAL MANUAL MAJESTIC SERIES BULK MILK DISPENSERS MODEL SKMAJ1

Thank you for purchasing Silver King food service equipment. Our goal is to provide our customers with the most reliable equipment in the industry today. Please read this manual and the accompanying warranty information before operating your new Silver King unit.

Upon delivery of your new Silver King unit, inspect the carton and unit for shipping damages. Report any damage immediately to the transportation carrier and file a written freight damage claim to protect your investment. If a claim is to be filed, save all packaging materials.

### PRECAUTIONS BEFORE USING THIS PRODUCT

- This appliance is not intended for use by persons (including children) with reduced physical, sensory or mental capabilities, or lack of experience and knowledge, unless they have been given supervision or instruction concerning use of the appliance by a person responsible for their safety.

- Use caution when cleaning the condenser, the fins are very sharp.

- For units with a dual hertz rating, no adjustments are required for normal operation.

- If the supply cord is damaged, it must be replaced by the manufacturer, its service agent or similarly qualified persons in order to avoid a hazard.

- This refrigeration unit is not intended to be used at altitudes higher than 2000 meters.

- Do not store explosive substances such as aerosol cans with a flammable propellant in this appliance.

- Use caution when moving, installing, maintaining and using this refrigeration device to avoid either damaging the refrigerant tubing or increasing the risk of a leak.

- All component parts must be replaced with like components and all servicing must be done by factory authorized service personnel, so as to minimize the risk of possible ignition due to incorrect parts or improper service.

- If the unit has recently been transported on its side (or placed horizontally), then please let unit stand with the casters (or feet) on the ground for a minimum of 24 hours before plugging it in.



**WARNING:** This product can expose you to chemicals including lead, which are known to the State of California to cause cancer, birth defects, or other reproductive harm.

## **INSTALLATION**

The stainless steel exterior of the cabinet has been protected by a plastic covering during manufacturing and shipping. This covering can be readily peeled before installation. After removing this covering, wash the interior and exterior surfaces using a warm mild soapy water solution and a sponge or cloth, rinse with clean water and wipe dry.

### **Drip Tray:**

Follow the instructions supplied with the drip tray for mounting it to the unit.

### **Location:**

When locating your new milk dispenser, convenience and accessibility are important considerations, but the following factors must be observed:

- When placing the unit on a counter, the counter must be able to support a minimum of 300 pounds.
- When wall mounting the unit, follow the instructions supplied with the wall mounting kit.
- When placed on a counter, the unit must be on the legs supplied and secured to the counter with the Hold Down Brackets supplied. If the legs are not installed the unit will not operate properly and the warranty will be void.
- There must be at least four (4) inches of clear space above the unit, two (2) inches on each side and back and open in front.
- At no time should anything be stored or placed on top of the unit.
- Correct serving height is important so that those using the dispenser can operate the dispenser properly.
- The unit must be level. The feet on the front legs are adjustable to aid in leveling the unit.
- Avoid placing the unit next to an oven, heating element or hot air source which would adversely affect the performance of the unit.

### **Electrical Connections:**

Be sure to check the data plate, located on the liner of the cabinet, for required voltage prior to connecting the unit to power. The specifications on the data plate supersede any future discussion.

The standard dispenser is equipped with an eight (8) foot power cord that requires a properly grounded electrical receptacle. The power cord comes with a 3 prong plug for grounding purposes. Any attempt to cut off the grounding spike or to connect to an ungrounded adapter plug will void the warranty, terminate the manufacturers responsibility and could result in serious injury.

The circuit must be protected with a 15 or 20 ampere fuse or breaker.

### **Energy Rating**

Your Silver King refrigerator has a class 5 energy rating. The refrigerator was tested at an ambient temperature of 40°C at 40% relative humidity.

## **OPERATION**

### **Initial startup:**

After satisfying the installation requirements, the milk dispenser is ready to start. The unit will start when the power cord is connected to a live electrical receptacle. If the compressor is not running when the unit is initially plugged in, check to make sure that the Temperature Control is not set to the 'off' position. Allow the unit to run a minimum of two hours before loading it with product.

### **Preparation for Use:**

Once the unit has achieved proper operating temperature, observe the procedures noted in the label on the door liner for loading milk into the milk dispenser. When removing an empty milk crate, be sure to raise the valve arm fully before pulling the milk tube out of the valve. The last half inch of upward valve travel will lock the valve jaw in place and prevent it from coming out of the valve.

### **Temperature Control:**

The Temperature Control, located on the front of the unit behind the valve splash guard (see label on door liner), is factory set at the midpoint position, which will maintain an average product temperature of around 36 - 38 Deg F. To access the temperature control, follow the instructions on the door liner. To obtain cooler temperatures turn the Temperature Control stem clockwise and vice versa with a flat blade screwdriver. Allow the unit a minimum of six (6) hours to respond to a control setting adjustment if the product is in the cabinet.

### **Temperature Indicator:**

The Temperature Indicator, mounted on the door, is factory set to indicate the temperature of the product within two (2) degrees. Should the Temperature Indicator read inaccurately there are instructions for recalibrating it located on the door liner.

### **Defrost:**

The Silver King Majestic milk dispenser is a manual defrost unit. The unit should be defrosted whenever the walls accumulate a frost bank that is 1/2 inch thick. To defrost the unit, either turn the Temperature Control knob to the 'off' position or disconnect the power cord from the electrical receptacle, and open the door. After the frost has melted or come loose from the cabinet walls, wipe out the cabinet interior. Do not attempt to scrape or chisel off the frost as you could do irreparable damage to the unit.

## **MAINTENANCE**

Preventative maintenance is minimal although these few steps are very important to continued operation and maximizing the life of the appliance.

### **Cabinet Surfaces:**

The cabinet interior and exterior are stainless steel and should be cleaned periodically with a solution of warm water and a mild soap, rinsed and wiped dry with a clean soft cloth. A stainless steel cleaner can also be used. Should a surface become stained or discolored, do not attempt to clean with an abrasive cleaner or scouring pad. Use a soft cleaner and rub with the grain of the metal to avoid scratching the surface. Do not use chlorinated cleaners.

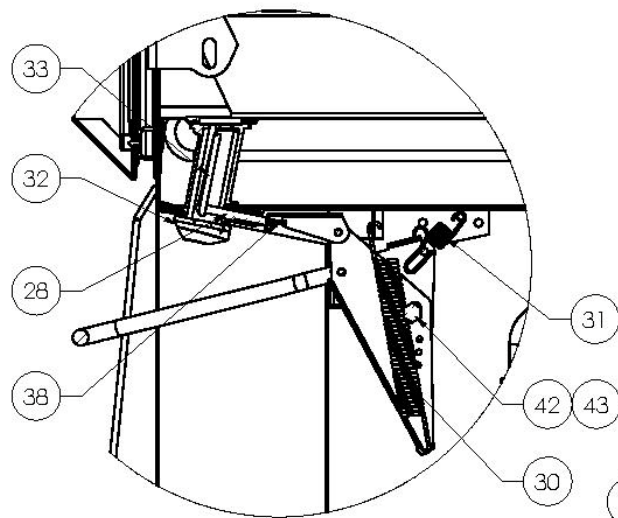
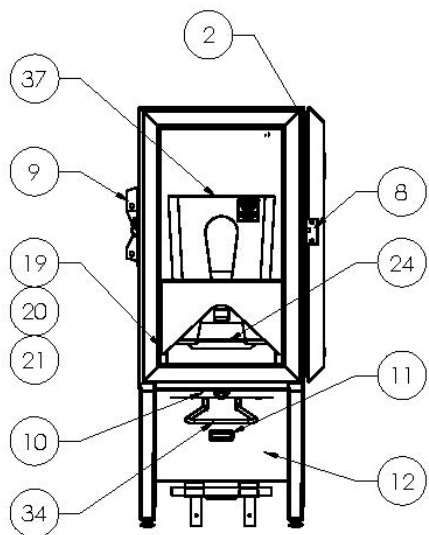
### **Valves:**

To clean the valve start by removing the bottom valve body cap (item 32) by prying it down and off. Remove the valve jaw (item 33) by pushing up through the bottom of the valve and pulling it out the top of the valve. Clean all loose parts and the valve (in place) with a solution of warm water and mild soap or a sanitizing solution and rinsing afterwards. Replace the valve jaw by sliding it into the valve from above and pressing down on the valve jaw until it 'snaps' firmly onto the valve push rod. Replace the bottom valve body cap.

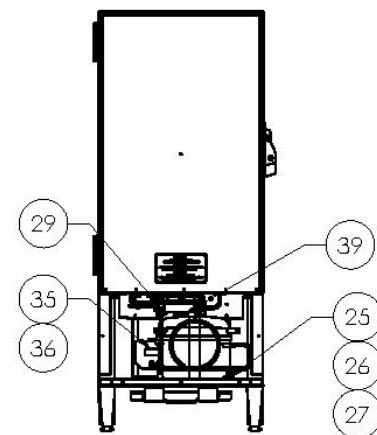
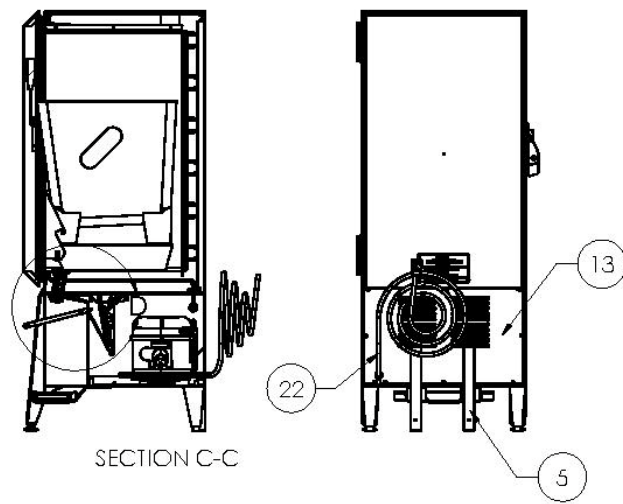
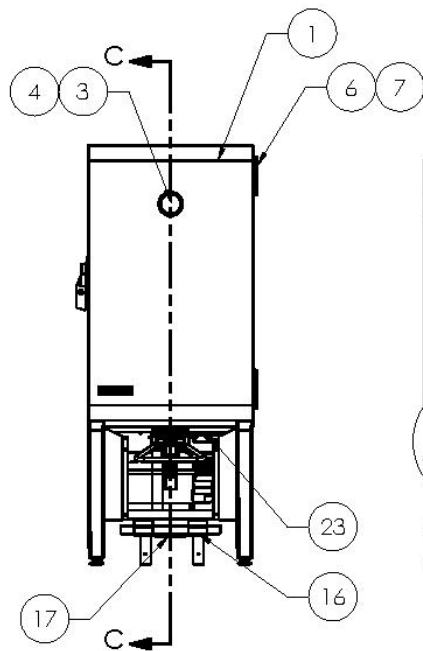
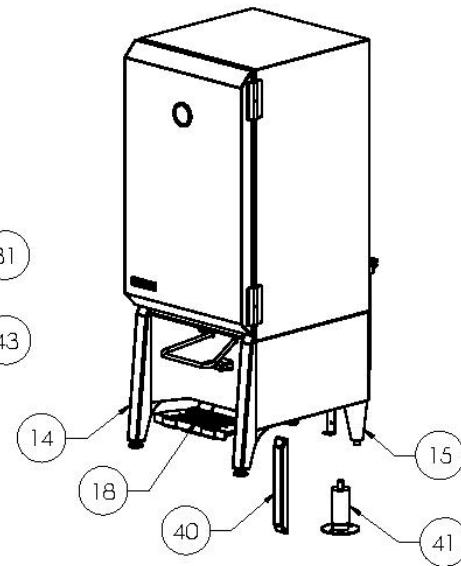
### **Leaking Valves:**

To stop a valve from dripping milk start by removing the splash guard (item 10) by hand and the apron (item 12) with a Phillips screwdriver. Locate and loosen the adjustment nut and bolt (items 42 and 43) shown in the valve cross section on page 9. Remove the milk tube from the valve. Raise and drop the valve arm (item 34) several times until the valve jaw (item 33) is tight to the front of the valve opening when the valve arm is fully lowered. Re tighten the adjustment nut and bolt and replace the apron and splash guard. Also make sure that the milk tube is cut as close as possible to the valve.

MODEL \_\_\_\_\_ SERIAL NO. \_\_\_\_\_ DATE INSTALLED \_\_\_\_\_



DETAIL D  
SCALE 1 : 2



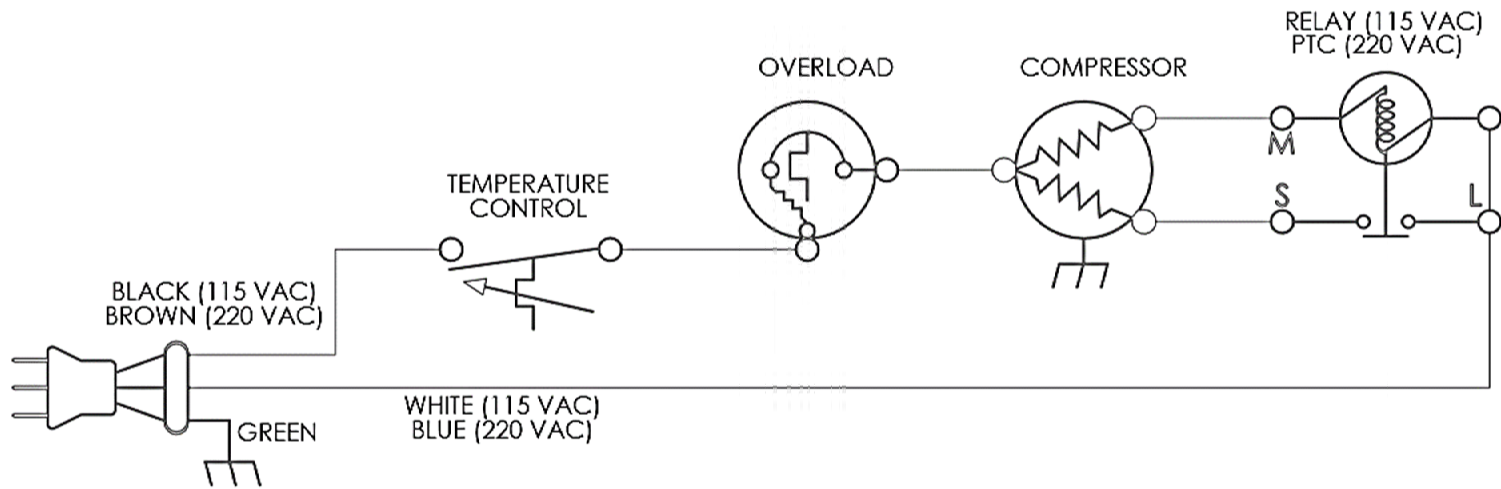
# REPLACEMENT PARTS LIST – SKMAJ1

ITEM NO.	PART DESCRIPTION (FROM NAVISION)	PART NO.
1	DOOR ASSEMBLY, F°/C°	25028
2	DOOR GASKET KIT	10310-29
3	THERMOMETER	20361
4	LENS REPLACEMENT - THERMOMETER	22986
5	HOLD DOWN BRACKET	23511
6	HINGE KIT (1 HINGE,COVERS & SCREWS)	10327-09
7	HINGE COVER	21758
8	DOOR STRIKE	21073
9	LATCH ASSEMBLY	21069
10	SPLASH GUARD	63586
11	GLASS STOP	21074
12	APRON	63585
13	BACK PANEL	63578
14	FRONT LEG	63599
15	REAR LEG	63600
16	DRIP TRAY SUPPORT	43287
17	DRIP TRAY	63374
18	DRIP TRAY COVER	63376
19	LOADING SHELF	63588
20	PIVOT SCREW, LOADING SHELF	23503
21	STOP SCREW, LOADING SHELF	23504
22	POWER CORD 115V	32199
	POWER CORD 230V EURO	43998
	POWER CORD 230V AMER	23038
23	TEMPERATURE CONTROL	43064
24	PLATFORM, MILK CONTAINER	63959
25	GROMMET COMPRESSOR MOUNT	20481
26	WASHER COMPRESSOR MOUNT	22401
27	HAIRPIN CLIP COMPRESSOR MOUNT	98106
28	PUSH ROD	23742
29	HAIRPIN CLIP	23530
30	SPRING, SHUT OFF	23450
31	SPRING, OVERTRAVEL	23496
32	CAP, VALVE BODY	23409
33	VALVE JAW	23918
34	VALVE HANDLE	43259
35	COMPRESSOR 115V/60HZ	10343-02
	COMPRESSOR 230V/50-60HZ	10343-78
36	ELECTRICAL KIT (RELAY & OVERLOAD) 115V	10344-02
	ELECTRICAL KIT (RELAY & OVERLOAD) 230V	10344-78
37	MILK KRATE 3,5,6 GALLON	35904
38	HAIRPIN CLIP	23744
39	DRIER	22677
40	COVER SHIPBOARD LEGS (2 REQUIRED)	35597
41	SHIPBOARD LEG KIT	10314-96
42	BOLT 1/4 X 20	95047
43	NUT KEPS 1/4 X 20	98040

FORM 45390

WHEN ORDERING REPLACEMENT PARTS, PLEASE PROVIDE MODEL AND SERIAL NUMBERS.

SEE SERIAL PLATE FOR CORRECT VOLTAGE  
115 VAC, 60HZ, 1 PHASE  
OR  
220 VAC, 50/60 HZ, 1 PHASE



WIRING DIAGRAM P/N 63354 REV E

MODEL SKMAJ1  
SKMAJ2  
SKMAJ3

# Thermistor Field Testing

Thermistor Part Number [38822](#). See form M164 for the standard operating procedure.

- **Establish Thermistor Temperature**

- Check the display's temperature reading.
- If a thermometer is available, use it to confirm the display's temperature reading by taking the temperature at the thermistor.
- If the previously stated tasks are unavailable, then use any reasonable means to estimate the thermistors temperature.

- **Multimeter Set-up**

- Use a multimeter and set it to the resistance ( $\Omega$ ) setting. See Figure 1.
- Disconnect the thermistor from the controller, then connect the multimeter to the thermistor. See Figure 1.
- Check and compare the multimeter's reading to Table 1.

- **Analyze Results**

- If the resistance and temperature are similar, then the thermistor is working properly and does not need to be replaced.
- If the resistance and temperature are not similar or the resistance's value is not on Table 1, then the thermistor is not working properly and needs to be replaced.
- If the resistance reads over-limit, then the thermistor is not working properly and needs to be replaced.

Table 1

Temp (°F)	Ohms (k $\Omega$ )	Temp (°C)
-22.0	114.56	-30
-18.4	103.18	-28
-14.8	93.07	-26
-11.2	84.06	-24
-7.6	76.03	-22
-4.0	68.87	-20
-0.4	62.46	-18
3.2	56.71	-16
6.8	51.56	-14
10.4	46.94	-12
14.0	42.78	-10
17.6	39.04	-8
21.2	35.66	-6
24.8	32.62	-4
28.4	29.86	-2
32.0	27.37	0
35.6	25.11	2
39.2	23.06	4
42.8	21.20	6
46.4	19.51	8
50.0	17.98	10
53.6	16.58	12
57.2	15.3	14
60.8	14.13	16
64.4	13.07	18
68.0	12.09	20
71.6	11.2	22
75.2	10.38	24
78.8	9.63	26
82.4	8.95	28
86.0	8.31	30
89.6	7.73	32
93.2	7.2	34

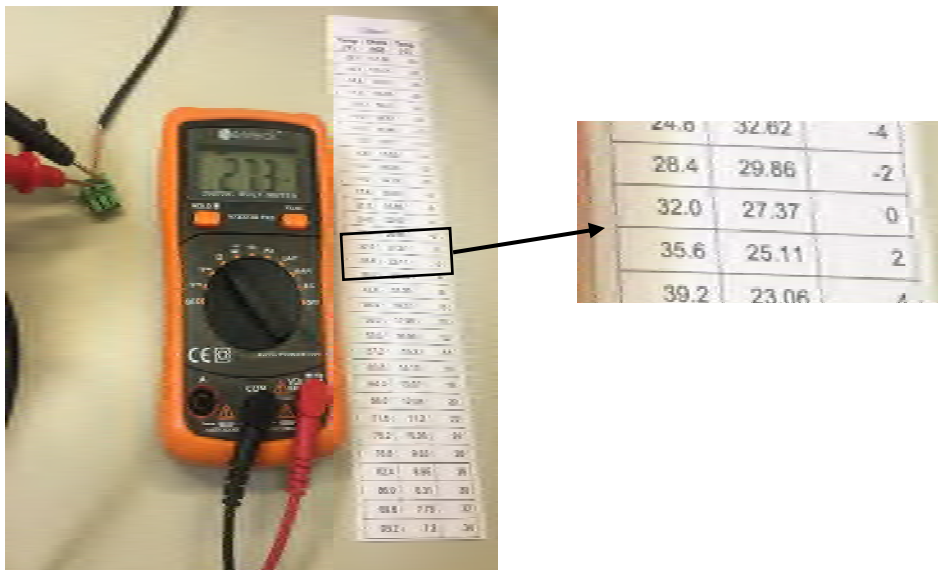


Figure 1

## **SILVER KING WARRANTY – LEGACY PRODUCT LINE**

Silver King warrants to the original purchaser of every new Silver King Legacy refrigerated self-contained unit (as defined below), that the Equipment shall be free from defects in material and workmanship under normal use and service as outlined in the Technical Manual for a period of one (1) year from the later of either (a) the date of shipment from the manufacturer or (b) the date of installation (the “Warranty Period”), but in no event shall the Warranty Period commence later than six (6) months from the date of shipment from the manufacturer unless otherwise agreed upon by the parties in writing. Equipment includes General Market Refrigeration units and excludes all Dispensing and Custom Holding Refrigeration or extended agreements whose written terms are conditional at time of sale or contract. All warranties are subject to specific limitations outlined below.

This Equipment warranty does not apply to: Repair or replacement required as a result of carelessness or neglect. Improper installation, incorrect voltage supply, modifying, tampering with or altering components and/or Equipment. Failure to perform proper maintenance. This warranty does not apply to damage resulting from fire, water, burglary, accident, abuse, misuse, transit, acts of God, terrorism, attempted repairs, improper installation or maintenance by unauthorized persons, and does not apply to food loss. Unit is compromised by adding excess weight or adhering non-approved components to the frame. Combining the equipment with hardware, fixtures, accessories or other equipment not provided by Silver King. Misuse of the Equipment or use of the Equipment not in accordance with the Technical Manual. Warranty excludes consumables or replacement components such as shelving, trays, gaskets, etc. Warranty excludes interior liner or exterior shell. Condensing coils must be cleaned at regular intervals. Failure to do so can cause compressor malfunction and will void warranty. Although cleaning requirements vary in accordance with operation of various products, Silver King advocates a minimum monthly cleaning.

The Equipment warranty does not include freight, handling, installation, labor (following the (1) year labor warranty period) or other incidental or consequential costs including product and/or economic loss. This Equipment warranty is in lieu of all other warranties, express or implied, are hereby disclaimed and excluded including those of merchantability, and fitness for a particular purpose. This Equipment warranty is non-transferable. Specific provisions of this Equipment warranty are as follows:

**90 DAY REPLACEMENT PARTS WARRANTY** Silver King warrants to the original Equipment purchaser that a replacement OEM part thereof will be free of defects in material and workmanship, under normal use and service, for a period of 90 days from the date of original purchase of such replacement OEM part subject to all terms and conditions herein.

**LIFETIME HINGE AND HANDLE WARRANTY** Silver King provides a lifetime warranty on hinges and primary (door or drawer) handles. In the event of a non-conforming hinge or primary handle, Silver King shall provide a replacement part; however, Purchaser shall be responsible for any other replacement costs, including but not limited to shipping, installation and labor.

**Three (3) Year Drawer Slide Warranty** Silver King warrants to the original Equipment purchaser for a period of time not to exceed the earlier of the following: three (3) years from the date of original purchase of the Equipment or three (3) years and six (6) months from the date of shipment from the factory of the equipment, that it will replace the drawer slides with one of similar design and capacity, exclusive of delivery and installation charges, if it is found in Silver King’s review to be inefficient or inoperative due to defects in material or factory workmanship.

**FIVE (5) YEAR COMPRESSOR WARRANTY** Silver King warrants to the original Equipment purchaser for a period of time not to exceed the following: five (5) years from the date of original purchase of the Equipment or five (5) years and six (6) months from the date of shipment from the factory of the Equipment, that it will replace the compressor with one of similar design and capacity, exclusive of delivery and installation charges, if it is found subject to Silver King's review to be inefficient or inoperative due to defects in material or factory workmanship. It is the original purchaser's responsibility to return the serial plate of the defective compressor, or at Silver King's option the complete compressor, to the factory. Failure to do so will void this limited compressor warranty. This limited compressor warranty shall be limited to parts only after the WARRANTY period applicable to the Equipment has expired.

This Equipment warranty is limited to repairing or replacing any parts that, at Silver King's discretion, are deemed to be defective within the time period covered by this warranty. The three (3) year parts warranty covers standard freight and handling charges. Special handling charges or expedited means for transport are excluded from reimbursement. Use of non-OEM parts may, at Silver King's discretion, void this warranty. If approved, warranty credit for non-OEM parts will be issued at the OEM cost. Replacement parts sold separately are warranted for 90-days from date of purchase. Special installation/applications, including remote locations, are limited in coverage by this warranty. Any installation that requires extra work, and or travel, is the sole responsibility of the equipment purchaser.

**ADDITIONAL WARRANTY GUIDELINES:** A factory issued Service Authorization Number must be obtained prior to work being performed under the (1) one-year labor warranty. Contact your supplier or Silver King. Claims submitted without a Service Authorization Number will be paid at Silver King's discretion. The labor warranty includes standard straight time labor charges in accordance with Silver King's Labor Warranty Guidelines and reasonable travel time, as determined as determined in the Silver King time – rate guide.

Silver King, at its discretion, may request photos during or prior to service being dispatched to validate a technical issue. Failure to comply with the request may result in the cost of service being the responsibility of the service requestor or site.

The labor warranty does not cover original installation, startup, normal adjustments or maintenance. Normal adjustments and maintenance include, but are not limited to; temperature control adjustments, temperature indicator calibrations, coil and filter cleaning, or condensate drain cleaning.

A second service call for a related failure is not covered.

Use of refrigerants other than specified on the Equipment serial plate voids the warranty. All claims must include; model and serial number of equipment, date of purchase, date of failure, and a copy of the service invoice detailing the defect and service performed. No claim will be processed without this information. All claims must be filed within 30 days from date of service.

**PRODUCT ORDERING INFORMATION** Call us toll free at 1-800-328-3329 or 1-763-923-2441 Fax us at 1-763-553-1209

Visit [www.silverking.com](http://www.silverking.com) for stocking distributor, equipment specs and current price list for your area.

**SERVICE / PARTS ORDERING INFORMATION** Call us toll free at 1-800-328-3329, prompt 1 Equipment Service and Tech Support or 2 Parts

TERMS AND CONDITIONS • This price list and conditions are effective January 1, 2020 and supersedes all previous price lists. • WARRANTY period may vary from customer to customer and is contract specific. • All prices reflect payment in U.S. Dollars. • Prices do not include any freight, duty, or taxes. • Pricing subject to change without notice. • No returns are accepted without prior written approval from the factory. An RMA (Returned Merchandise Authorization) form must be completed and then approved by Silver King. Please contact Silver King for details. Restocking fee will apply. • All electrical equipment is single phase. • Prices, designs, and specifications are subject to change without notice. • Payments via credit card are subject to a 3.5% surcharge. •

Any and all environmental attributes, including environmental offset credit rights, with respect to Silver King refrigeration units manufactured after September 1, 2015, shall remain the property of Silver King and are not transferred.

IN NO EVENT SHALL SILVER KING BE LIABLE FOR CONSEQUENTIAL, SPECIAL OR PUNITIVE DAMAGES. THE REMEDIES OF PURCHASER SET FORTH HEREIN ARE EXCLUSIVE AND THE TOTAL LIABILITY OF SILVER KING, WHETHER BASED ON CONTRACT, WARRANTY, NEGLIGENCE, INDEMNIFICATION, STRICT LIABILITY, TORT, OR OTHERWISE, SHALL NOT EXCEED THE PURCHASE PRICE OF THE COMPONENT UPON WHICH LIABILITY IS BASED. SILVER KING SHALL HAVE NO OBLIGATION OR LIABILITY FOR CONSEQUENTIAL OR SPECIAL DAMAGES, INCLUDING BUT NOT LIMITED TO INDIRECT, PUNITIVE DAMAGES, LOSS OF USE, LOSS OF PRODUCT, DOWNTIME OR LOST PROFITS, ARISING OUT OR, RELATED TO OR CONNECTED IN ANY WAY WITH THE PRODUCT OR ITS USE.

Silver King 1600 Xenium Lane, Plymouth, MN 55441-3706 [www.silverking.com](http://www.silverking.com) • 1-800-328-3329

© Silver King 2019 Prices Subject To Change

*Note: Additional Terms and Conditions of sale may apply. Notice: Specifications Subject to Change Without Notice. Contact factory for specific model agency approval.*