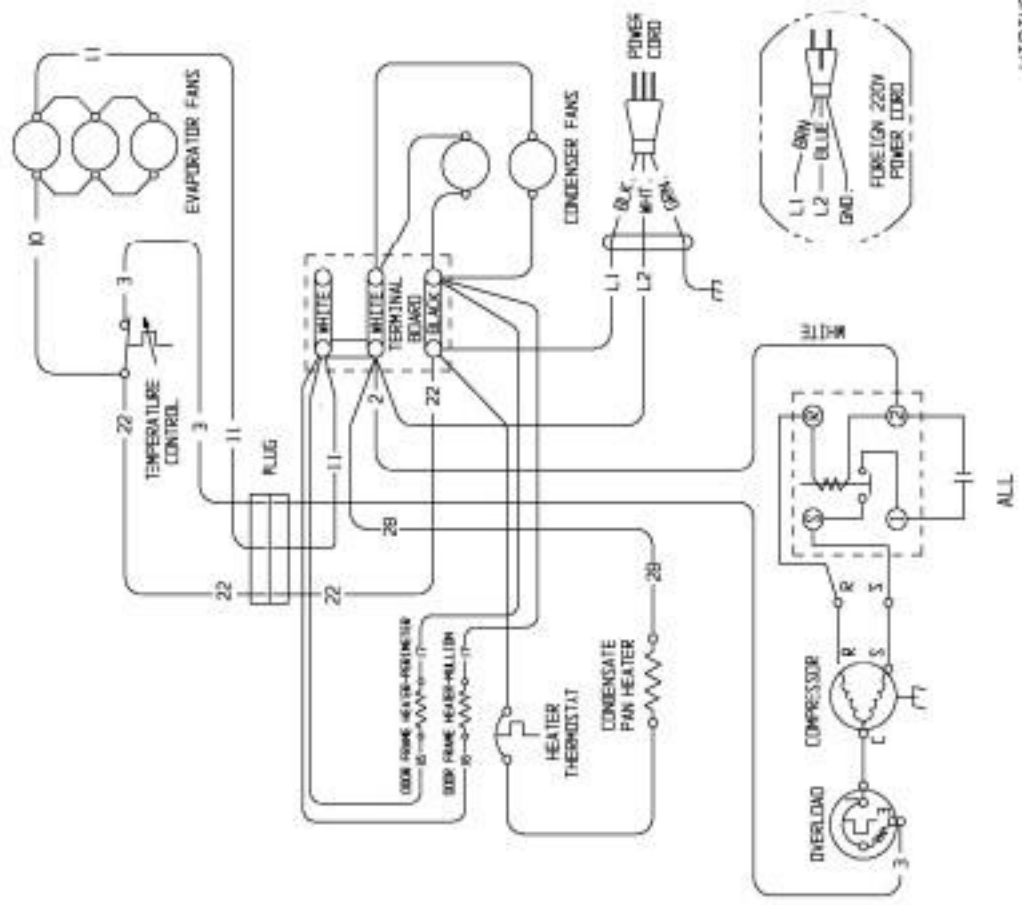
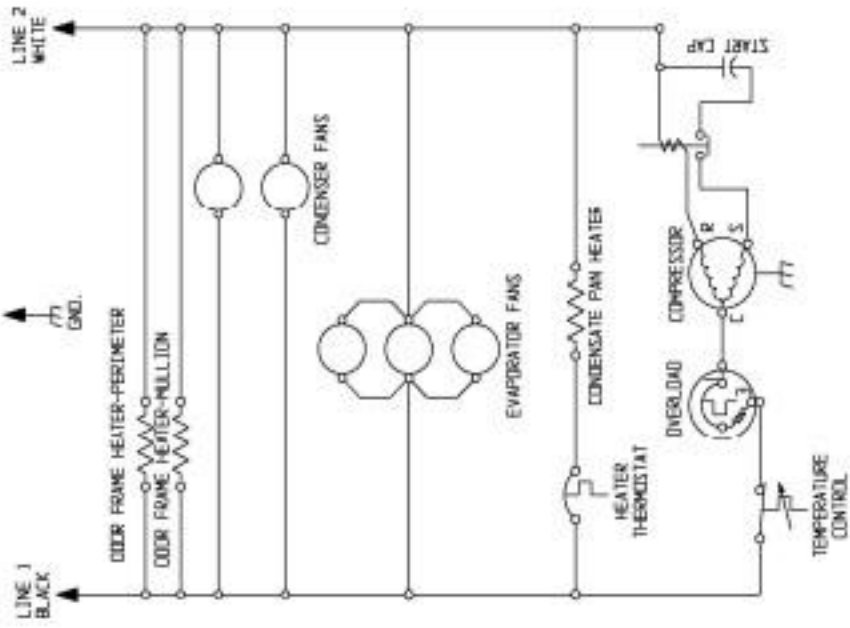


SEE SERIAL PLATE FOR CORRECT POWER SOURCE  
 115 VAC, 60Hz, 1PHASE  
 OR  
 220 VAC, 60/50Hz, 1PHASE



WIRING DIAGRAM

MODELS: 50P68116, 50P68024, 50P2800  
 50P68160, 50P68040, 50P2800