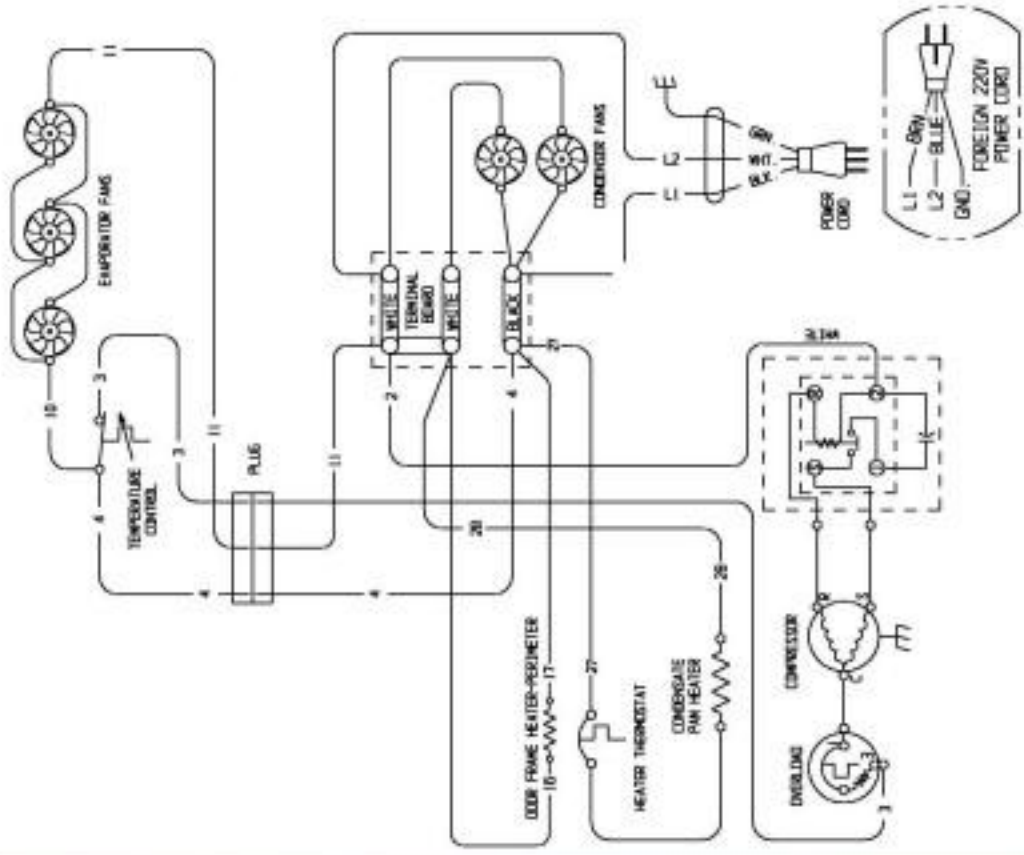
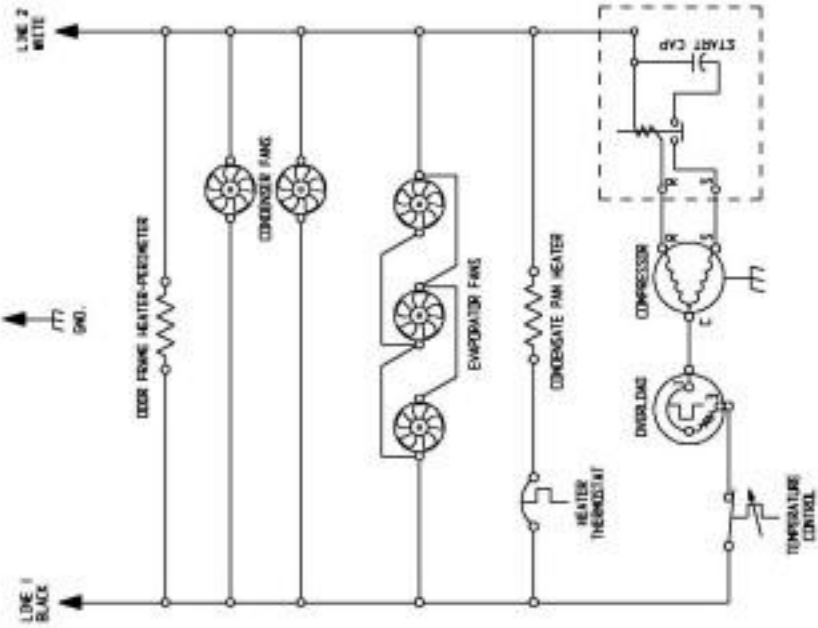


SEE SERIAL PLATE FOR CORRECT POWER SOURCE
 115 VAC, 60Hz, 1PHASE OR
 220 VAC, 60/50Hz, 1PHASE



WIRING DIAGRAM
 MODELS: 5KP721B, 5KP723D