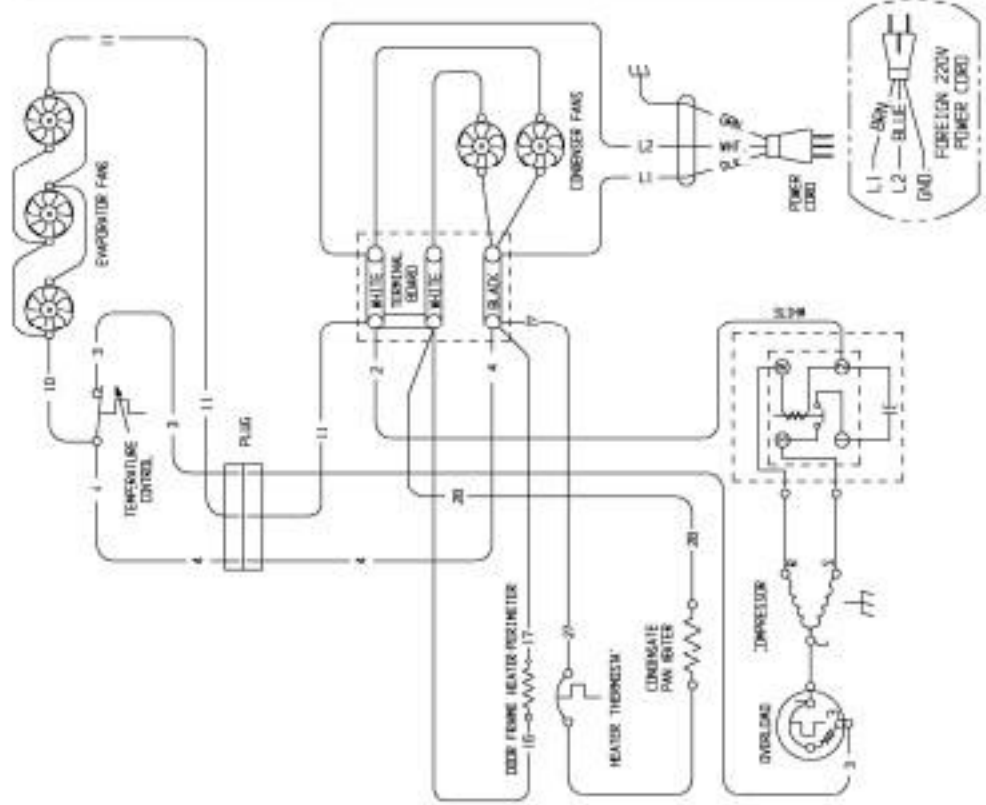
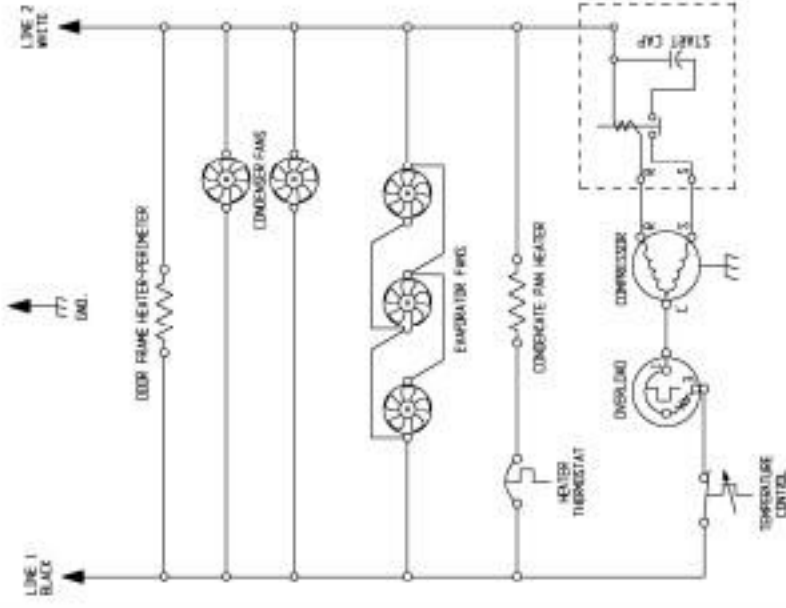


SEE SERIAL PLATE FOR CORRECT POWER SOURCE  
 115 VAC., 60Hz., 1PHASE  
 OR  
 220 VAC., 60/50Hz., 1PHASE



WIRING DIAGRAM  
 MODELS: 30P7216, 30P7230