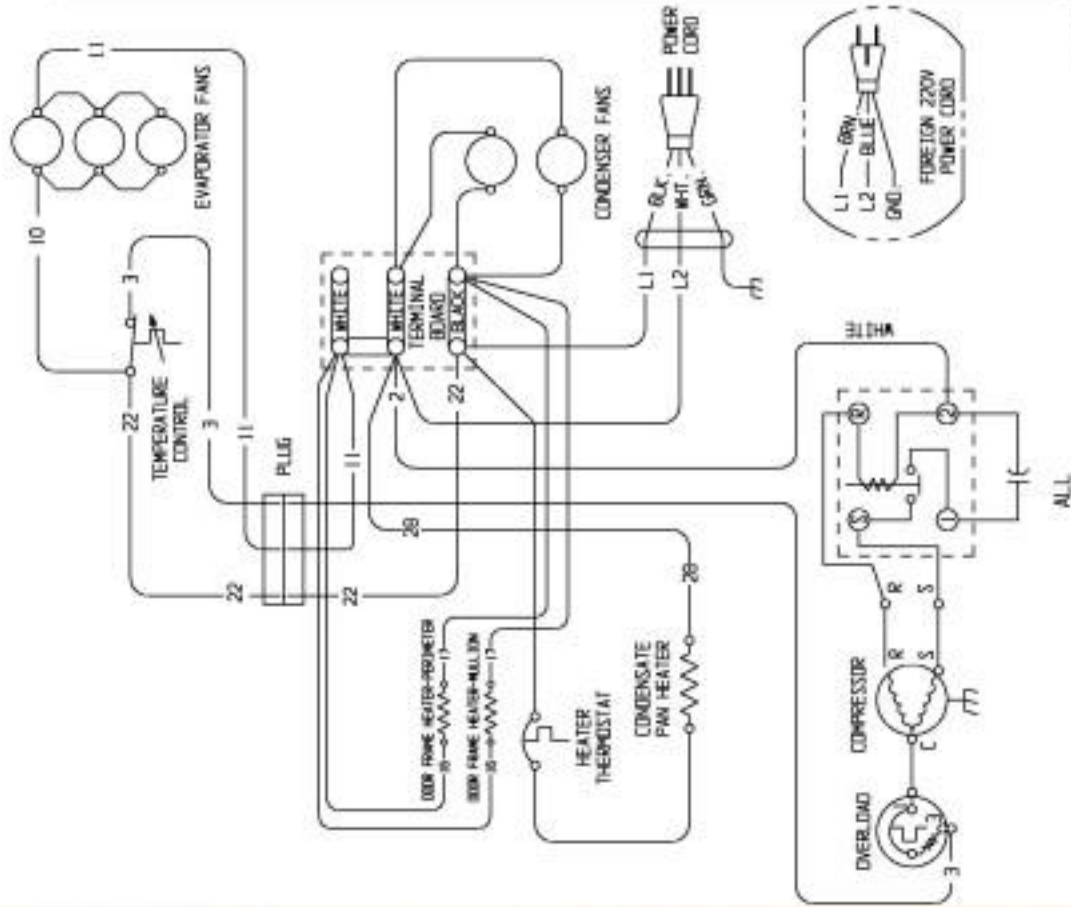
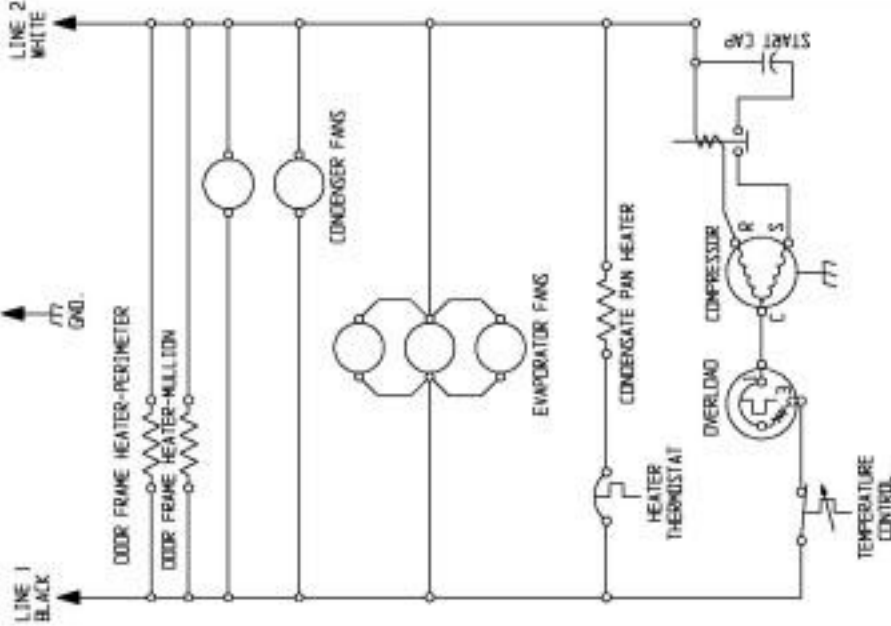


SEE SERIAL PLATE FOR CORRECT POWER SOURCE
 115 VAC, 60Hz, 1PHASE
 OR
 220 VAC, 60/50Hz, 1PHASE



WIRING DIAGRAM

MODELS: SKP6016, SKP6024, SKP780
 SKP6016D, SKP6034D, SKP760D