

# Technical Manual and Replacement Parts List

---

## Refrigerated Chef Base



**SILVER KING REFRIGERATION INC.**

1600 Xenium Lane North, Minneapolis, MN 55441-3787  
Phone (763) 923-2441

**SILVER KING**®

Specifications Subject to Change Without Notice.



**TECHNICAL MANUAL**  
**SILVER KING PREPARATION TABLES**  
**MODELS [SKRCB50H](#), [SKRCB60H](#), [SKRCB79H](#), AND [SKRCB84H](#)**

Thank you for purchasing Silver King food service equipment. Our goal is to provide our customers with the most reliable equipment in the industry today. Please read this manual and the accompanying warranty information before operating your new Silver King unit. Be sure to complete and mail the warranty card within 10 days of purchase to validate your warranty.

**INSPECT FOR DAMAGE AND UNCRATE**

Upon delivery of your new Silver King unit, uncrate at once to examine and test for possible damage following the instructions printed on the exterior of the container. Report any damages to the carrier responsible for transportation and promptly present a claim for any evidence of mishandling. Save all packaging materials if a claim must be filed.

**INSTALLATION**

The stainless steel exterior of the cabinet has been protected by a plastic covering during manufacturing and shipping. This covering can be readily stripped before installation. After removing this covering, wash the interior and exterior surfaces using a warm, mild soapy water solution and a sponge or soft cloth. Rinse afterward with clean water and wipe dry. Do not use chlorinated cleaners.

**Location**

When locating your new Silver King unit, convenience and accessibility are important considerations, but the following installation guidelines must be observed;

- When stacking cooking equipment on these units observe the following load limits: Models [SKRCB50H](#) and [SKRCB60H](#) have a maximum load limit of 950 pounds and models [SKRCB79H](#) and [SKRCB84H](#) have a maximum limit of 1100 pounds of stacked equipment.
- Stacked cooking equipment should not transfer excessive heat down onto the cabinet. When cabinet surface temperatures exceed 150°F damage to cabinet insulation may occur.
- The unit must be level.
- Allow at least 2 inches of space on the right and back side, no space on the left side and leave the top open for proper air flow.
- All caster brakes should be set when the unit is positioned in its intended place.

**Legs/Casters**

The unit comes with legs or casters (four on models [SKRCB50H](#) and 60H and six on models [SKRCB79H](#) and 84H). To install them, tip the unit on its back (remove the drawers first to lighten the unit) and locate the four hex-screw patterns on the base of the unit. These hex screws are used to mount the plate casters. Remove the hex screws, align a plate caster over the four hole pattern and re-install the hex screws tightly to mount the casters. The casters with brakes should be installed at the front of the cabinet.

**Drawers**

To remove drawers for cleaning, simply open them fully, lift up on the front of drawer, and pull drawer out. Replace drawers in the same fashion.

With drawer removed the roller members can be removed by rocking the top of the roller member out when the roller member is pushed all the way to the back of the cabinet.

The drawer system is rated for a maximum dynamic load of 275 pounds. The drawers are not designed or intended as a surface to stand on. At no time should the drawers be extended and used as a platform for standing on to reach elevated equipment.

**Electrical Connections**

Be sure to check the data plate, located on the liner of the cabinet, for required voltage prior to connecting the unit to a power source. The specifications on the data plate supersede any future discussion.

The standard unit is equipped with an eight (8) foot power cord that requires a 115 Volt, 60 Cycle, 1 Phase properly grounded electrical receptacle. The power cord comes with a 3 prong plug for grounding purposes. Any attempt to cut off the grounding spike or to connect to an ungrounded adapter plug will void the warranty, terminate the manufacturers responsibility and could result in serious injury.

The circuit must be protected with a 15 or 20 ampere fuse or breaker. The unit must be isolated on a circuit and not plugged into an extension cord.

**OPERATION**

Initial Start Up:

After satisfying the installation requirements, the unit is ready to start. The unit will start when the power cord is connected to the required power source. If the compressor does not start when the unit is initially plugged in, check to make sure that the temperature control is not in the 'off ' position. Allow the unit to run a minimum of two hours before loading it with product.

**Temperature Control**

The Temperature Control is located on the back wall of the cabinet liner and is factory set to maintain an average cabinet temperature of 35 to 40 Deg. F.. To access the temperature control, remove the top drawer from the cabinet, (top right drawer on models [SKRCB79H](#) and [SKRCB84H](#)). To obtain colder temperatures turn the Temperature Control stem clockwise and visa versa. Allow the unit a minimum of one hour to respond to a control setting adjustment.

**Defrost**

Your Silver King unit is an automatic defrost unit. No additional plumbing is required. Defrost water is collected in a pan located in the compressor compartment where it is evaporated into the room air. It is important that the unit be level so the condensate can drain properly.

**MAINTENANCE**

Preventative maintenance is minimal although these few steps are very important to continued operation and maximizing the life of the appliance.

**Cabinet Surfaces**

The cabinet interior and exterior are stainless steel. These surfaces should be cleaned periodically with a solution of warm water and mild soap. After cleaning the surfaces should be rinsed with clean water and wiped dry with a soft cloth. Stainless steel cleaners can also be used. Should a surface become stained, do not attempt to clean with an abrasive cleaner or scouring pad. Use a soft cleanser and rub with the grain of the metal to avoid scratching the surface. Always rinse well and dry after cleaning. Do not use chlorinated cleaners.

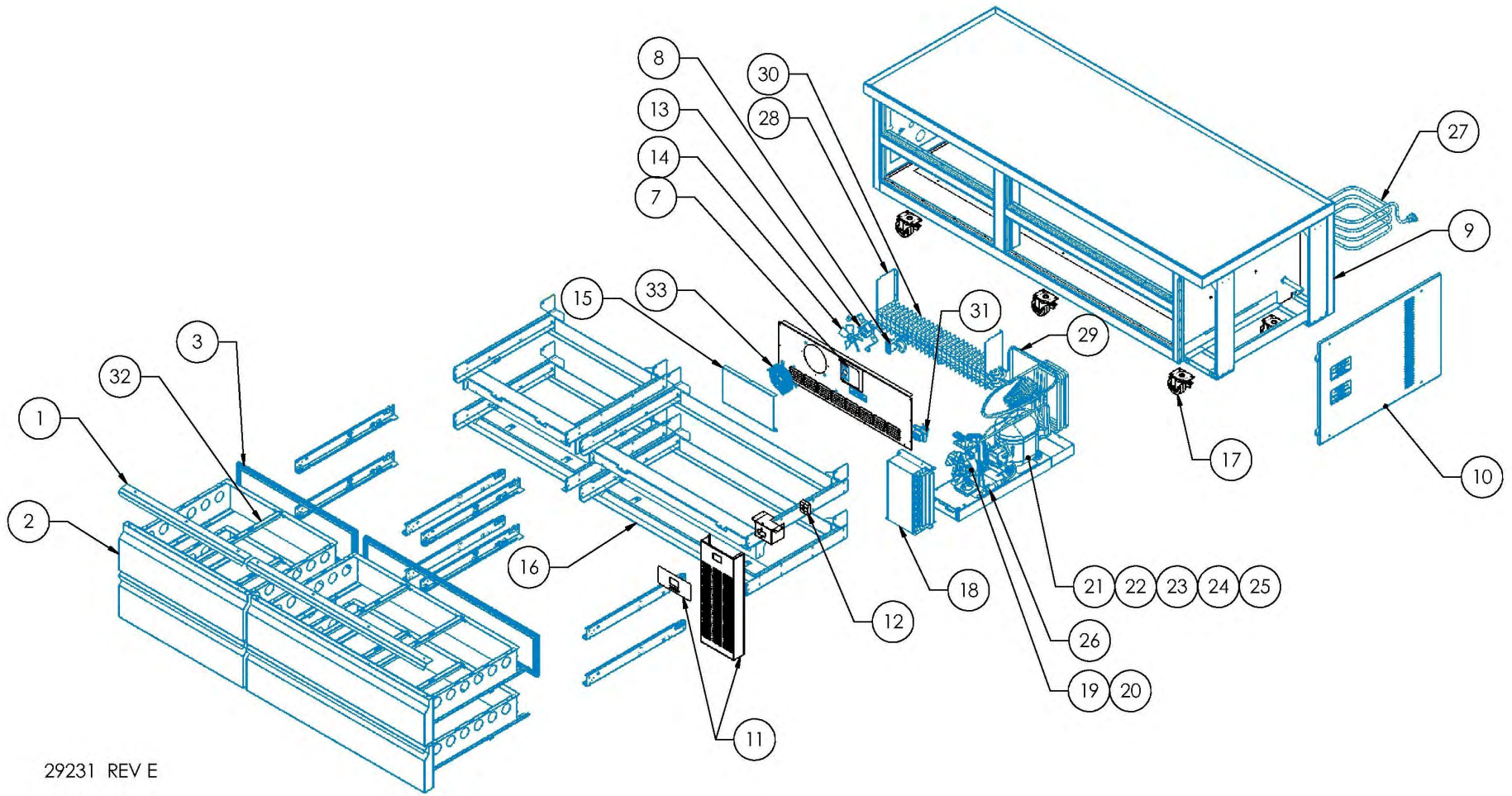
**Condenser**

Periodically, dust on the condenser coil must be cleaned. The condenser is located behind the front cover at the right front of the unit. Remove the front cover by removing the two (2) screws at the left side of the cover and swinging the cover off the cabinet. The condenser will be exposed. Clean the accumulated dust/debris from the condenser with a vacuum or brush. This will need to be done regularly to maintain the compressor warranty!

**Casters**

Check to make sure that the casters are installed tightly to the cabinet.

MODEL \_\_\_\_\_ SERIAL NO. \_\_\_\_\_ DATE INSTALLED \_\_\_\_\_



**REPLACEMENT PARTS LIST – MODELS SKRCB50H, SKRCB60H, SKRCB79H, AND SKRCB84H**

ITEM NO.	PART DESCRIPTION	PART NO.
1	DRAWER HANDLE (2 PAN DRAWER)	26188
	DRAWER HANDLE (3 PAN DRAWER)	26025
2	DRAWER ASSEMBLY (2 PAN DRAWER)	29013
	DRAWER ASSEMBLY (3 PAN DRAWER)	29014
3	DRAWER GASKET (2 PAN DRAWER)	10310-55
	DRAWER GASKET (3 PAN DRAWER)	10310-56
7	TEMPERATURE CONTROL PLATE	20653
8	TEMPERATURE CONTROL	20889
9	BACK PANEL	29224
10	RIGHT END PANEL	29223
11	FRONT COVER	33005
12	TEMPERATURE INDICATOR 115V	33006
	TEMPERATURE INDICATOR 230V	33011
13	FAN MOTOR 115V	21251-2
	FAN MOTOR 230V	21251-3
14	FAN BLADE	99196
15	AIR DIVERTER	26759
16	WELDMENT DRAWER SLIDE BOTTOM 3 PAN	29164
	WELDMENT DRAWER SLIDE TOP 3 PAN	29163
	WELDMENT DRAWER SLIDE BOTTOM 2 PAN	29206
	WELDMENT DRAWER SLIDE TOP 2 PAN	29205
	DRAWER SLIDE ROLLER MEMBER RH	28947
	DRAWER SLIDE ROLLER MEMBER LH	28948
17	LEG KIT (SKRCB50)	10314-82
	LEG KIT (SKRCB79)	10314-81
	CASTER KIT 4 INCH (SKRCB50)	10314-79
	CASTER KIT 4 INCH (SKRCB79)	10314-78
	CASTER KIT 6 INCH (SKRCB50)	10314-75
	CASTER KIT 6 INCH (SKRCB79)	10314-76
18	CONDENSER COIL	25941
19	FAN MOTOR 115V	22048
	FAN MOTOR 230V	43193
20	FAN BLADE	23505
21	COMPRESSOR KIT 115/60	10343-63
	COMPRESSOR KIT 230/50	10343-71
22	ELECTRICAL KIT (RELAY/OVERLOAD/CAPACITOR) 115/60	10344-63
	ELECTRICAL KIT (RELAY/OVERLOAD/CAPACITOR) 230/50	10344-71
23	GROMMET - COMPRESSOR MOUNT	20481
24	HAIRPIN CLIP	98106
25	WASHER - COMPRESSOR MOUNT	22401
26	DRIER	22677
27	POWER CORD 115V	43263
	POWER CORD 230V	23514
28	EVAP COIL AND HEAT EXCHANGER ASSEMBLY	26101
29	HEAT EXCHANGER (CAP TUBE AND SUCTION LINE)	26462
30	EVAPORATOR COIL	25916
32	ADAPTER BAR	28726
33	FAN GUARD	41473

WHEN ORDERING REPLACEMENT PARTS, PLEASE PROVIDE MODEL AND SERIAL NUMBERS

