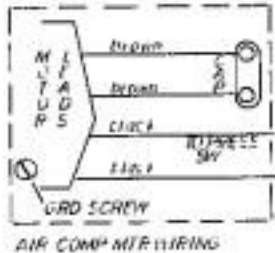
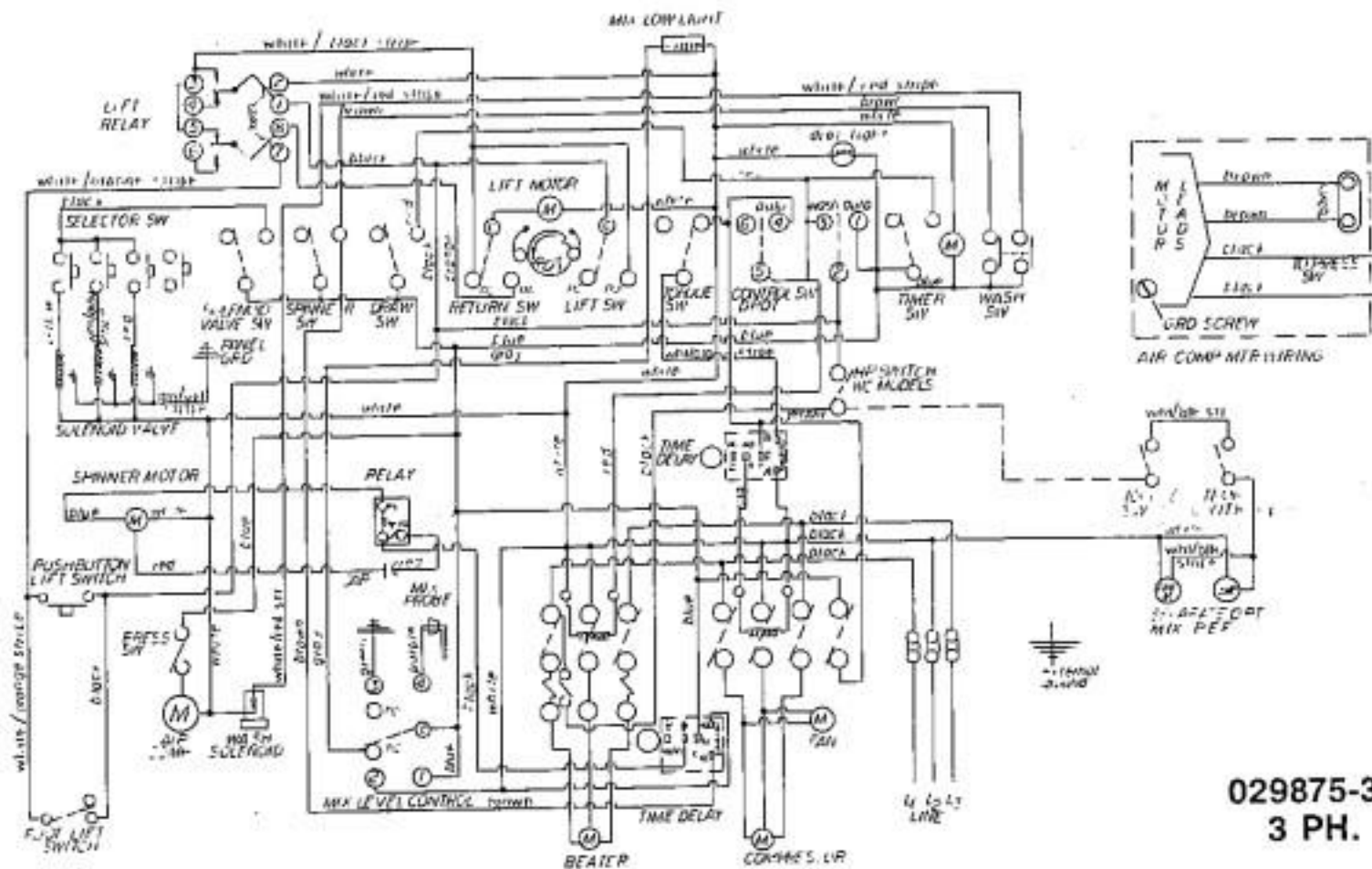


WIRING DIAGRAM MODEL 452

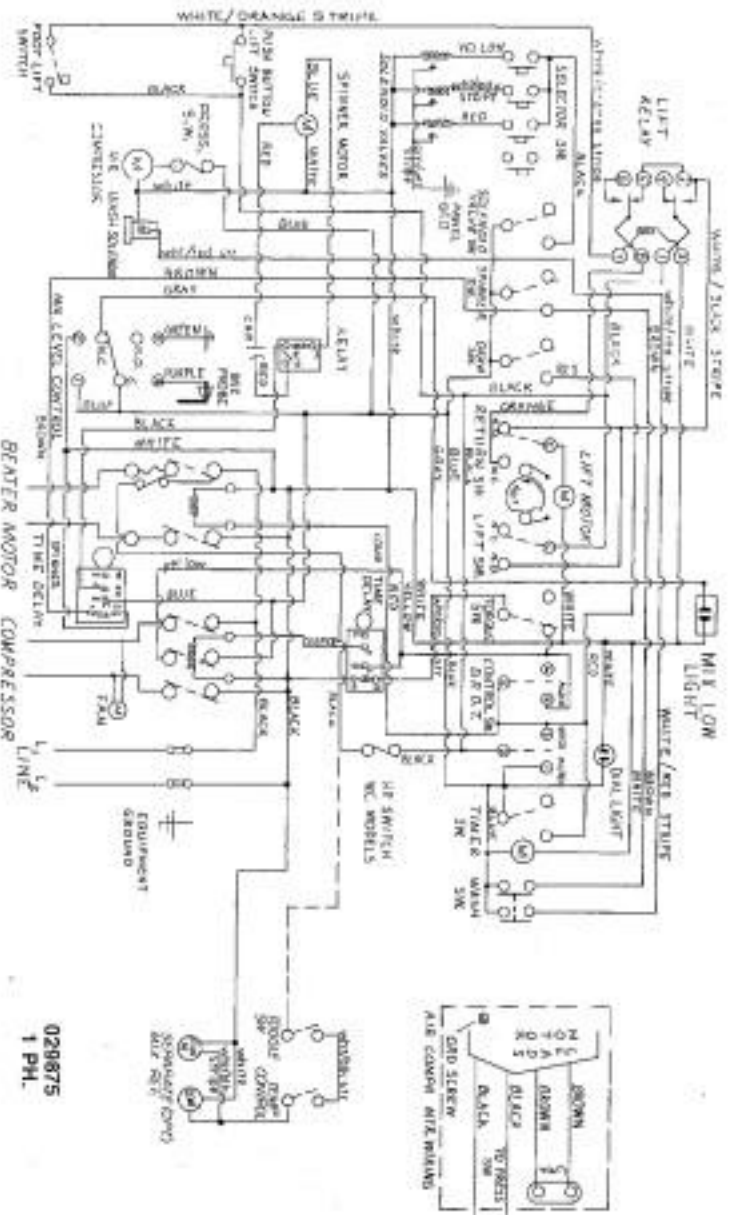


029875-33
3 PH.

GROUND FRAME SECURELY

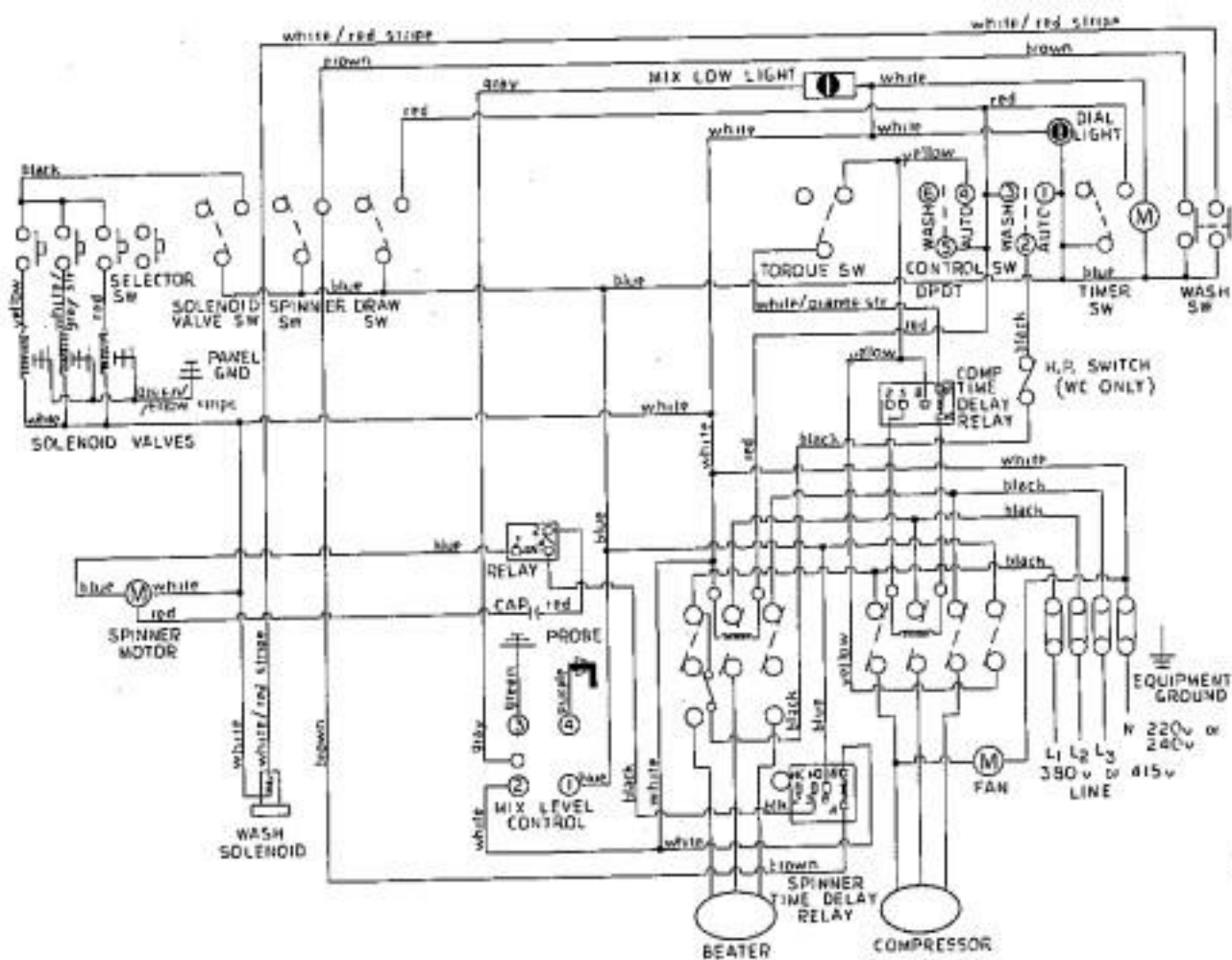
NOTE: COMPRESSOR BEATER PROTECTED UNDER PRIMARY SINGLE PHASING CONDITIONS

WIRING DIAGRAM MODEL 452



029875
1 PH.

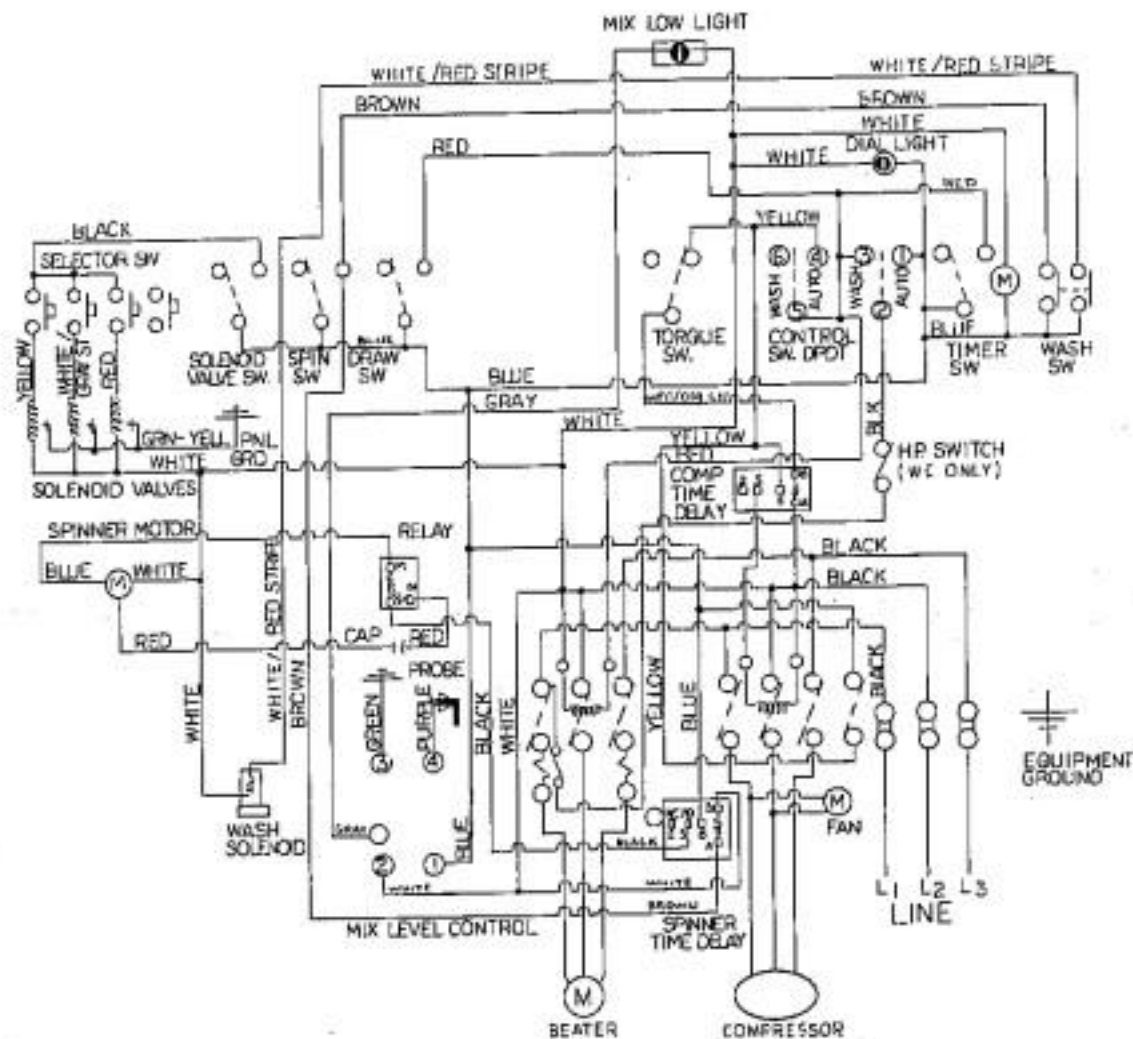
GROUND FRAME SECURELY



GROUND FRAME SECURELY
 NOTES: COMPRESSOR AND BEATER
 MOTORS PROTECTED UNDER
 PRIMARY SINGLE PHASING CONDITIONS

034706-62
3 PH., 4 WIRE

WIRING DIAGRAM MODEL 453

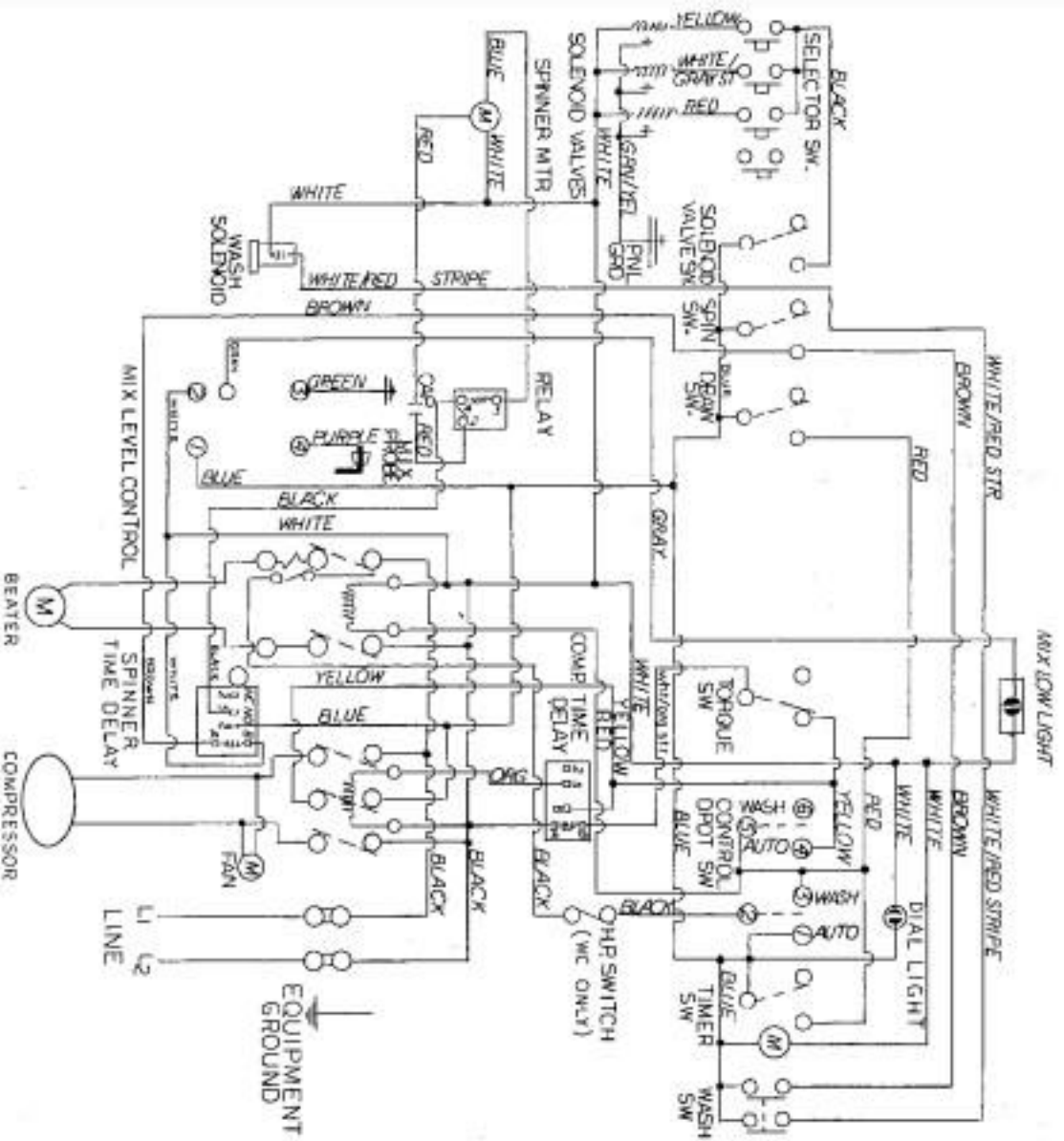


GROUND FRAME SECURELY

NOTE: COMPRESSOR AND BEATER MOTORS
PROTECTED UNDER PRIMARY SINGLE
PHASING CONDITIONS.

034706-33
3 PH.

WIRING DIAGRAM MODEL 453



GROUND FRAME SECUREL