

# OPERATOR'S MANUAL



## Model RD30 and RC25 Remote Slush Freezer

**Original Operating Instructions**

051060-M

11/99 (Original Publication)  
(Updated 10/16/2020)



## Section 1: To the Installer

Installer Safety .....	1-1
Site Preparation .....	1-1
Electrical Connections.....	1-2
Beater Rotation .....	1-3
Refrigerant .....	1-3
Setup Procedures .....	1-3

## Section 2: To the Operator

Compressor Warranty Disclaimer .....	2-2
--------------------------------------	-----

## Section 3: Safety

## Section 4: Operator Parts Identification

Model RD30 .....	4-1
Beater Door Assembly .....	4-2

## Section 5: User Interface

Control Switch .....	5-1
Fill Switch .....	5-1
Mix Out Light.....	5-1
Viscosity Control .....	5-1

## Section 6: Operating Procedures

Assembly.....	6-1
Sanitizing (Without Post Mix Valve) .....	6-5
Sanitizing (With Post Mix Valve) .....	6-5
Priming (Without Post Mix Valve).....	6-7
Priming (With Post Mix Valve).....	6-8
Closing Procedure.....	6-8
Draining Product from the Freezing Cylinder .....	6-8
Rinsing .....	6-8
Cleaning.....	6-9
Disassembly .....	6-9
Brush-Cleaning .....	6-9

## Section 7: Operator Checklist

During Cleaning and Sanitizing.....	7-1
Troubleshooting Bacterial Count.....	7-1
Regular Maintenance Checks .....	7-1
Winter Storage .....	7-2

# Table of Contents

---

**Section 8: Troubleshooting Guide**

**Section 9: Parts Replacement Schedule**

**Section 10: Limited Warranty on Equipment**

**Section 11: Limited Warranty on Parts**

The following information has been included in the manual as safety and regulatory guidelines. For complete installation instructions, please see the Installation Checklist.

## Installer Safety



**IMPORTANT!** In all areas of the world, machines should be installed in accordance with existing local codes. Please contact your local authorities if you have any questions.

Care should be taken to ensure that all basic safety practices are followed during the installation and servicing activities related to the installation and service of Taylor® machines.

- Only Taylor service personnel should perform installation, maintenance, and repairs on Taylor machines.
- Authorized service personnel should consult OSHA Standard 29CFR1910.147 or the applicable code of the local area for the industry standards on lockout/tagout procedures before beginning any installation or repairs.
- Authorized service personnel must ensure that the proper personal protective equipment (PPE) is available and worn when required during installation and service.
- Authorized service personnel must remove all metal jewelry, rings, and watches before working on electrical equipment.



**DANGER!** The main power supply(s) to the machine must be disconnected prior to performing any installation, maintenance, or repairs. Failure to follow this instruction may result in personal injury or death from electrical shock or hazardous moving parts, as well as poor performance or damage to the machine.

**Note:** All repairs must be performed by a Taylor service technician.



**WARNING!** This machine has many sharp edges that can cause severe injuries.

## Site Preparation

Review the area the machine is to be installed in before uncrating the machine, making sure that all possible hazards the user or equipment may experience have been addressed.



**WARNING!** Only install this machine in a location where its use and maintenance is restricted to trained personnel. Failure to comply may result in personal injury.

**For Indoor Use Only:** This machine is designed to operate indoors, under normal ambient temperatures of 70°F to 75°F (21°C to 24°C). The freezer has successfully performed in high ambient temperatures of 104°F (40°C) at reduced capacities.



**WARNING!** This machine must **NOT** be installed in an area where a water jet or hose can be used. **NEVER** use a water jet or hose to rinse or clean the machine. Failure to follow this instruction may result in electrocution.



**CAUTION!** This machine must be installed on a level surface to avoid the hazard of tipping. Extreme care should be taken in moving this machine for any reason. Two or more persons are required to safely move this machine. Failure to comply may result in personal injury or damage to the machine.

The authorized installer should inspect the machine for damage and promptly report any damage to the local authorized Taylor distributor.

This machine is made using USA sizes of hardware. All metric conversions are approximate and vary in size.

### Electrical Connections



**IMPORTANT!** In the United States, this machine is intended to be installed in accordance with the National Electrical Code (NEC), ANSI/NFPA 701987.

The purpose of the NEC code is the practical safeguarding of persons and property from hazards arising from the use of electricity. This code contains provisions considered necessary for safety.

In all other areas of the world, the machine should be installed in accordance with the existing local codes. Please contact your local authorities if you have any questions.

Each machine requires one power supply for each data label on the machine. Check the data label(s) on the machine for branch circuit overcurrent protection or fuse, circuit ampacity, and other electrical specifications.

See the wiring diagram provided inside the electrical box for proper power connections.



**FOLLOW YOUR LOCAL ELECTRICAL CODES.**



**WARNING!** This machine must be properly grounded. Failure to do so can result in severe personal injury from electrical shock.



**IMPORTANT!** An equipotential grounding lug is provided with this machine. Some countries require the grounding lug to be properly attached to the rear of the frame by the authorized installer. The installation location is marked by the equipotential bonding symbol (5021 of IEC 60417-1) on both the removable panel and the machine's frame.



**WARNING!** Avoid injury.

- **DO NOT** operate the machine unless it is properly grounded.
- **DO NOT** operate the machine with fuses larger than specified on the machine's data label.

- All repairs should be performed by an authorized Taylor service technician.
- The main power supplies to the machine must be disconnected prior to performing installation, repairs, or maintenance.
- **For Cord-Connected Machines:** Only Taylor service technicians or licensed electricians may install a plug or replacement cord on the machine.
- Machines that are permanently connected to fixed wiring and for which leakage currents may exceed 10 mA, particularly when disconnected or not used for long periods, or during initial installation, shall have protective devices to protect against the leakage of current, such as a GFI, installed by the authorized personnel to local codes.
- Stationary machines that are not equipped with a power cord and a plug or another device to disconnect the appliance from the power source must have an all-pole disconnecting device with a contact gap of at least 0.125 in. (3 mm) in the external installation.
- Supply cords used with this machine shall be oil-resistant, sheathed flexible cable not lighter than ordinary polychloroprene or other equivalent synthetic elastomer-sheathed cord (code designation 60245 IEC 57) installed with the proper cord anchorage to relieve conductors from strain, including twisting, at the terminals and protect the insulation of the conductors from abrasion.
- If the supply cord is damaged, it must be replaced by the manufacturer, service agent, or a similarly qualified person to avoid a hazard.
- Secure supply cord ground lead to machine in a location where if the cord is pulled the main power leads become taut before the ground lead can break loose.

Failure to follow these instructions may result in electrocution. Contact your local authorized Taylor distributor for service.

## Beater Rotation



**NOTICE!** Beater rotation must be clockwise as viewed looking into the freezing cylinder.

To correct the rotation on a three-phase machine, interchange any two incoming power supply lines at the freezer main terminal block only. To correct rotation on a single-phase machine, exchange leads inside the beater motor. (Follow the diagram printed on the motor.)

Electrical connections are made directly to the terminal block provided in the main control box located behind the service panel.

It is recommended that beater rotation adjustment be performed by a Taylor service technician.

## Refrigerant



**CAUTION!** This machine contains fluorinated greenhouse gases (F-Gas) to provide refrigeration using a hermetically sealed circuit or within foam insulation. This machine's type of gas, quantity, Global Warming Potential (GWP), and CO<sub>2</sub> tonnes equivalent information is recorded on the machine's data label. The refrigerant used is generally considered nontoxic and nonflammable. However any gas under pressure is potentially hazardous and must be handled with caution.

**NEVER** fill any refrigerant cylinder completely with liquid. Filling the cylinder approximately 80% will allow for normal expansion.



**CAUTION!** Use only approved refrigerant listed on the machine's data label or authorized through a manufacturer's technical bulletin. The use of any other refrigerant may expose users and operators to unexpected safety hazards.



**WARNING!** Refrigerant liquid sprayed onto the skin may cause serious damage to tissue. Keep eyes and skin protected. If refrigerant burns should occur, flush the area immediately with cold water. If burns are severe, apply ice packs and contact a physician immediately.



**NOTICE!** Taylor reminds technicians to be aware of and in compliance with local government laws regarding refrigerant recovery, recycling, and reclaiming systems. For information regarding applicable local laws, please contact your local authorized Taylor distributor.



**IMPORTANT!** Refrigerants and their associated lubricants may be extremely moisture absorbent. When opening a refrigeration system, the maximum time the system is open must not exceed 15 minutes. Cap all open tubing to prevent humid air or water from being absorbed by the oil.

## Refrigeration Charging and Line Construction

The dispensing machine is shipped with a refrigerant holding charge that is sufficient enough to prevent moisture contamination (8 oz. [227 g] R404A). This holding charge will become part of the total system charge.

The condensing unit is shipped with the total amount of refrigerant required for a typical installation of 75 ft. (22.86 m) or less with a single dispenser.

## Setup Procedures

### Standard Fill Module

1. Connect the product supply line to the 1/4 in. barbed fitting on the fill module. Adjust the fill system pressure to deliver product to the hopper at 1.5 oz. to 2.5 oz. (42.5 g to 70.9 g) per second. (Approximately 15 PSIG to 20 PSIG [103 kPa to 138 kPa] for most products.)
2. Lubricate, assemble, sanitize, and prime the dispenser as outlined in “Assembly” on page 6-1.
3. Place the fill switch in the FILL position. Allow the product to fill the cylinder and the hopper until the mix level float is satisfied.
4. Place the control switch in the AUTO position.
5. To observe the suction pressure, attach refrigeration gauges to the suction access fitting in the dispenser. Pressures should read approximately 32 psi. (221 kPa) for non-alcoholic application and 28 psi. (193 kPa) for alcoholic application.  
**Note:** Connection to the condensing unit suction access can give an improper reading.
6. Allow the dispenser to run until the condensing unit cycles off.
7. If necessary, adjust viscosity to produce satisfactory product. Adjustments are made by turning the viscosity adjustment screw (located on the front panel) clockwise for a thicker product or counterclockwise for a thinner product.

### Machines Equipped with Post Mix Valve

1. Connect syrup and water lines.  
**Note:** Adjust the syrup supply pressure to maintain 60 PSIG. Water pressure between 40 PSIG and 100 PSIG may require regulated water supply.
2. Turn the fill switch in the front of the RD30 to the FILL position.
3. Press and hold the area on the front of the post mix valve marked PUSH to prime the fill system. Priming is required until the BIB switch and the float switch are both satisfied. Priming is complete when product will flow without pressing the PUSH button.
4. To adjust either the syrup or water flow rate, turn the flow adjustment screw clockwise to increase flow, or counterclockwise to decrease flow. Adjust the screws until the desired brix is obtained. The flow rate should be 1.5 oz. to 2.5 oz. (43 mL to 74 mL) per second.  
**Note:** Both syrup and water flow adjustment screws are located inside the post mix valve cover. Viewed from the front, the syrup adjustment screw is on the right and water adjustment is on the left.

The freezer you have purchased has been carefully engineered and manufactured to give you dependable operation. The Taylor Model RD30/RC25, when properly operated and cared for, will produce a consistent quality product. Like all mechanical products, this machine will require cleaning and maintenance. A minimum amount of care and attention is necessary if the operating procedures outlined in this manual are followed closely.



**IMPORTANT!** This manual should be read before operating or performing any maintenance on the machine.

Your Taylor machine will **NOT** compensate for and/or correct any errors made during the setup or filling operations. Thus, the initial assembly, setup, and priming procedures are of extreme importance. It is strongly recommended that all personnel responsible for the machine's operation, including assembly and disassembly, go through these procedures together in order to be properly trained and to make sure that all personnel understand their role in using and maintaining the machine.

In the event you should require technical assistance, please contact your local authorized Taylor distributor.

**Note:** Your Taylor warranty is valid only if the parts are authorized Taylor parts, purchased from the local authorized Taylor distributor, and only if all required service work is provided by a Taylor service technician. Taylor reserves the right to deny warranty claims on units or parts if unapproved parts or incorrect refrigerant were installed in the unit, system modifications were performed beyond factory recommendations, or it is determined that the failure was caused by abuse, misuse, neglect, or failure to follow all operating instructions. For full details of your Taylor warranty, please see the Limited Warranty section in this manual.

**Note:** Constant research results in steady improvements. Therefore, information in this manual is subject to change without notice.



**IMPORTANT!** If the crossed-out wheeled-bin symbol is affixed to this machine, it signifies that this machine is compliant with the EU Directives as well as other similar end-of-life legislation in effect after August 13, 2005. Therefore, it must be collected separately after its use is completed and cannot be disposed as unsorted municipal waste.

The user is responsible for delivering the machine to the appropriate collection facility, as specified by your local code.

For additional information regarding applicable local disposal laws, please contact the municipal waste facility and/or local authorized Taylor distributor.

### Compressor Warranty Disclaimer

The refrigeration compressor(s) on this unit are warranted for the term stated in the Limited Warranty section in this manual. However, due to the Montreal Protocol and the U.S. Clean Air Act Amendments of 1990, many new refrigerants are being tested and developed, thus seeking their way into the service industry. Some of these new refrigerants are being advertised as drop-in replacements for numerous applications. It should be noted that in the event of ordinary service to this unit's refrigeration system, **only the refrigerant specified on the affixed data label should be used.** The unauthorized use of alternate refrigerants will void your Taylor compressor warranty. It is the unit owner's responsibility to make this fact known to any technician he/she employs.

2

It should also be noted that Taylor does not warrant the refrigerant used in its equipment. For example, if the refrigerant is lost during the course of ordinary service to this machine, Taylor has no obligation to either supply or provide its replacement either at billable or unbillable terms. Taylor does have the obligation to recommend a suitable replacement if the original refrigerant is banned, obsoleted, or no longer available during the five-year warranty of the compressor.

Taylor will continue to monitor the industry and test new alternates as they are being developed. Should a new alternate prove, through our testing, that it would be accepted as a drop-in replacement, then the above disclaimer would become null and void. To find out the current status of an alternate refrigerant as it relates to your compressor warranty, call the local Taylor distributor or the Taylor factory. Be prepared to provide the model/serial number of the machine in question.

We at Taylor Company are concerned about the safety of the operator when he or she comes in contact with the freezer and its parts. Taylor has gone to extreme efforts to design and manufacture built-in safety features to protect both you and the service technician. As an example, warning labels have been attached to the freezer to further point out safety precautions to the operator.



**DANGER!** Failure to adhere to the following safety precautions may result in severe personal injury or death. Failure to comply with these warnings may also damage the unit and/or its components. Such damage may result in component replacement and service repair expenses.



**NOTICE! DO NOT** operate this machine without reading this entire manual first. Failure to follow all of these operating instructions may result in damage to the machine, poor performance, health hazards, or personal injury.



**IMPORTANT!** *This machine is to be used only by trained personnel. It is not intended for use, cleaning, or maintenance by children or people with reduced physical, sensory, or mental capabilities or lack of experience and knowledge, unless given supervision or instruction concerning the use of the machine by a person responsible for their safety. Children should be supervised to ensure that they do not play with the machine.*



**IMPORTANT!** *An equipotential grounding lug is provided with this machine. Some countries require the grounding lug to be properly attached to the rear of the frame by the authorized installer. The installation location is marked by the equipotential bonding symbol (5021 of IEC 60417-1) on both the removable panel and the machine's frame.*



**WARNING!** This machine must **NOT** be installed in an area where a water jet or hose can be used. **NEVER** use a water jet or hose to rinse or clean the machine. Failure to follow this instruction may result in electrocution.



**WARNING!** Avoid injury.

- **DO NOT** operate the machine unless it is properly grounded.
- **DO NOT** operate the machine with fuses larger than specified on the machine's data label.
- All repairs should be performed by an authorized Taylor service technician.
- The main power supplies to the machine must be disconnected prior to performing installation, repairs, or maintenance.
- **For Cord-Connected Machines:** Only Taylor service technicians or licensed electricians may install a plug or replacement cord on the machine.
- Machines that are permanently connected to fixed wiring and for which leakage currents may exceed 10 mA, particularly when disconnected or not used for long periods, or during initial installation, shall have protective devices to protect against the leakage of current, such as a GFI, installed by the authorized personnel to local codes.
- Stationary machines that are not equipped with a power cord and a plug or another device to disconnect the appliance from the power source must have an all-pole disconnecting device with a contact gap of at least 0.125 in. (3 mm) in the external installation.
- Supply cords used with this machine shall be oil-resistant, sheathed flexible cable not lighter than ordinary polychloroprene or other equivalent synthetic elastomer-sheathed cord (code designation 60245 IEC 57) installed with the proper cord anchorage to relieve conductors from strain, including twisting, at the terminals

and protect the insulation of the conductors from abrasion.

- If the supply cord is damaged, it must be replaced by the manufacturer, service agent, or a similarly qualified person to avoid a hazard.
- Secure supply cord ground lead to machine in a location where if the cord is pulled the main power leads become taut before the ground lead can break loose.

Failure to follow these instructions may result in electrocution. Contact your local authorized Taylor distributor for service.

3



**WARNING!** Avoid injury.

- **DO NOT** allow untrained personnel to operate this machine.
- **DO NOT** operate the machine unless all service panels and access doors are fastened with screws.
- **DO NOT** remove any internal operating parts (including, but not limited to, freezer door, beater, or scraper blades) unless all control switches are in the OFF position.

Failure to follow these instructions may result in severe personal injury, especially to fingers or hands, from hazardous moving parts.



**WARNING!** This machine has many sharp edges that can cause severe injuries.

- **DO NOT** put objects or fingers in the door spout. This may contaminate the product and cause severe personal injury from blade contact.
- **USE EXTREME CAUTION** when removing the beater assembly. The scraper blades are very sharp.



**WARNING!** Only install this machine in a location where its use and maintenance is restricted to trained personnel. Failure to comply may result in personal injury.



**CAUTION!** This machine must be placed on a level surface. Extreme care should be taken when moving for any reason. Two or more persons are required to safely move this machine. Failure to comply may result in personal injury or damage to the machine.



**NOTICE!** Cleaning and sanitizing schedules are governed by your federal, state, or local regulatory agencies and must be followed accordingly. Please refer to the cleaning section of this manual for the proper procedure to clean this machine.



**CAUTION!** This machine is equipped with a refrigerated cabinet, designed to maintain product temperature at or below 41°F (5°C). Before replenishing the mix supply, the product must be refrigerated at or below 41°F (5°C). Failure to follow this instruction may result in health hazards and poor freezer performance.

**DO NOT** run the machine without product. Failure to follow this instruction can result in damage to the machine.

**DO NOT** obstruct air intake and discharge openings. A minimum of 3 in. (76 mm) air clearance on both sides of the machine is required. It is recommended to place the rear of the machine against the wall to prevent the recirculation of warm air. Failure to follow this instruction may cause poor freezer performance and damage to the machine.

**For Indoor Use Only:** This machine is designed to operate indoors, under normal ambient temperatures of 70°F to 75°F (21°C to 24°C). The machine has successfully performed in high ambient temperatures of up to 104°F (40°C) at reduced capacities.

**Noise Level:** Airborne noise emission does not exceed 78 dB(A) when measured at a distance of 39 in. (1.0 m) from the surface of the machine and at a height of 62 in. (1.6 m) from the floor.

## Model RD30

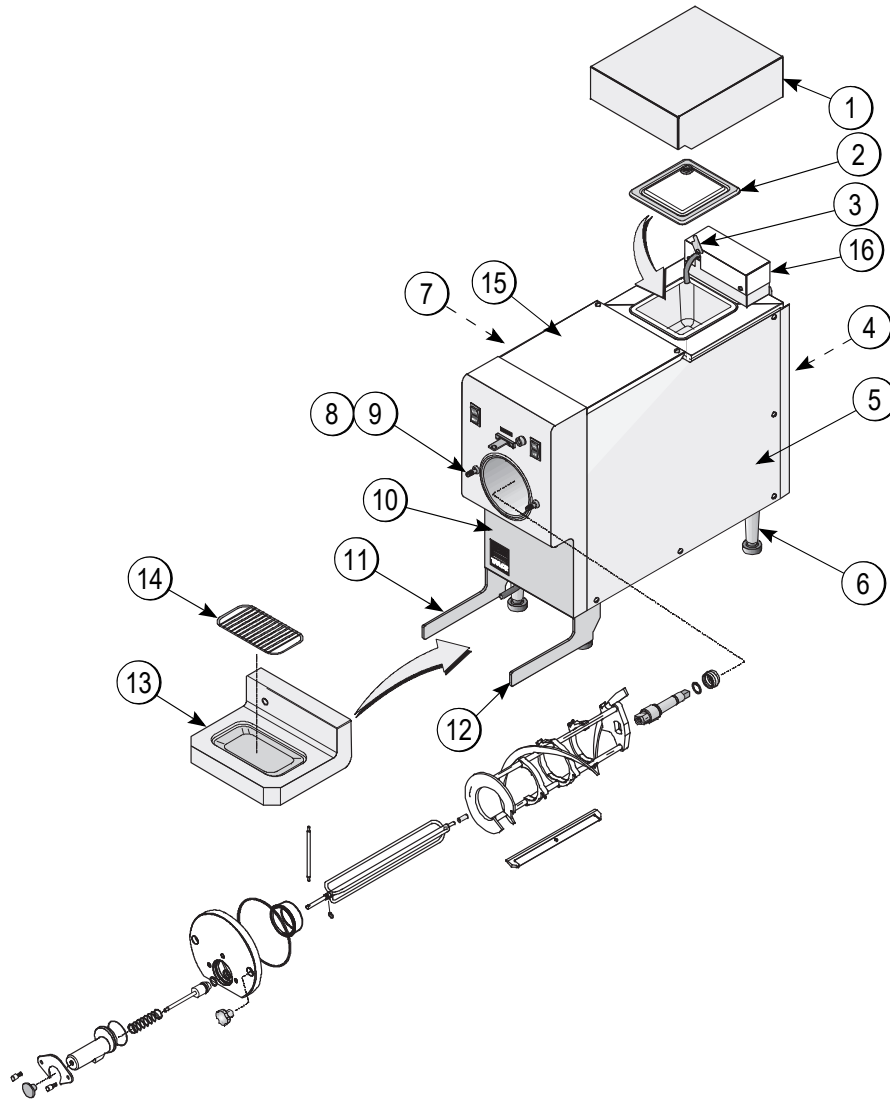


Figure 4-1

Item	Description	Part No.
1	Cover-Rear	049201
2	Cover-Hopper	049081
3	Retainer-Clip	049419
4	Panel A.-Rear	<a href="#">X48983</a>
5	Panel-Side-Right	048977
6	Leg A.- 4" - 3/8- 16 Stud w/Cap	<a href="#">X43408</a>
7	Panel-Side-Left	048975
8	Stud-Freezer	034035

Item	Description	Part No.
9	Washer-Freezer Stud	049032
10	Panel A.-Front	<a href="#">X49760</a>
11	Support-Tray-Left	049056
12	Support-Tray-Right	049057
13	Tray A.- Drip	<a href="#">X49182</a>
14	Shield-Splash	049203
15	Cover-Front-Upper	049162
16	Cover A.-Solenoid	<a href="#">X49396</a>

Beater Door Assembly

4

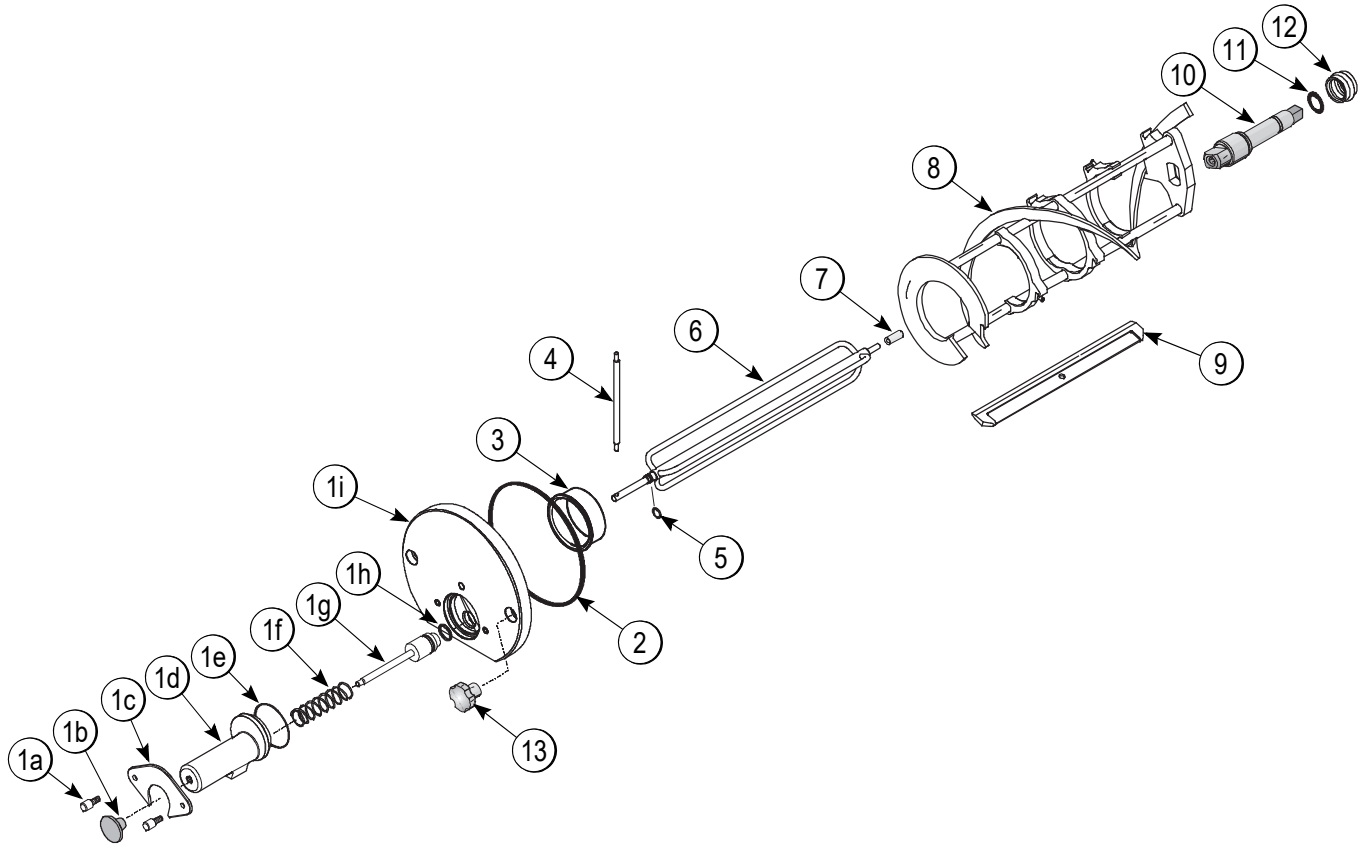


Figure 4-2

Item	Description	Part No.
1	Door Assembly-Complete	X48768
1a	Screw-1/4-20 x 9/16 Thumb	047632
1b	Knob-Draw Valve- Black Plastic	047358
1c	Plate-Draw Spout Mounting	049275
1d	Spout-Door Zero Waste	049276
1e	O-ring-2.375 OD x 1/16 W	046830
1f	Spring-Comp. - .845 x .055 x 3.5	047357
1g	Valve-Draw Zero Waste	047353
1h	O-ring- 7/8 OD x .103 W	014402
1i	Door A.- Partial	X50172
2	O-ring 5.5" OD x 5.234 ID x .13	049077
3	Bearing-Front	013116

Item	Description	Part No.
4	Arm-Torque	014500
5	O-ring .291 ID x .080 W	018550
6	Torque Assembly	X49022
7	Bearing-Guide	014496
8	Beater A.-7 Qt.-1 Pin Support	X46233
9	Blade-Scraper-Plastic	081094
10	Shaft-Beater	035418
11	O-ring 7/8 OD x .139 W	025307
12	Seal-Drive Shaft	032560
13	Nut-Stud	045644

**Note:** Optional Door Assembly X50654 has a larger draw valve, spout, and door port for thick product.

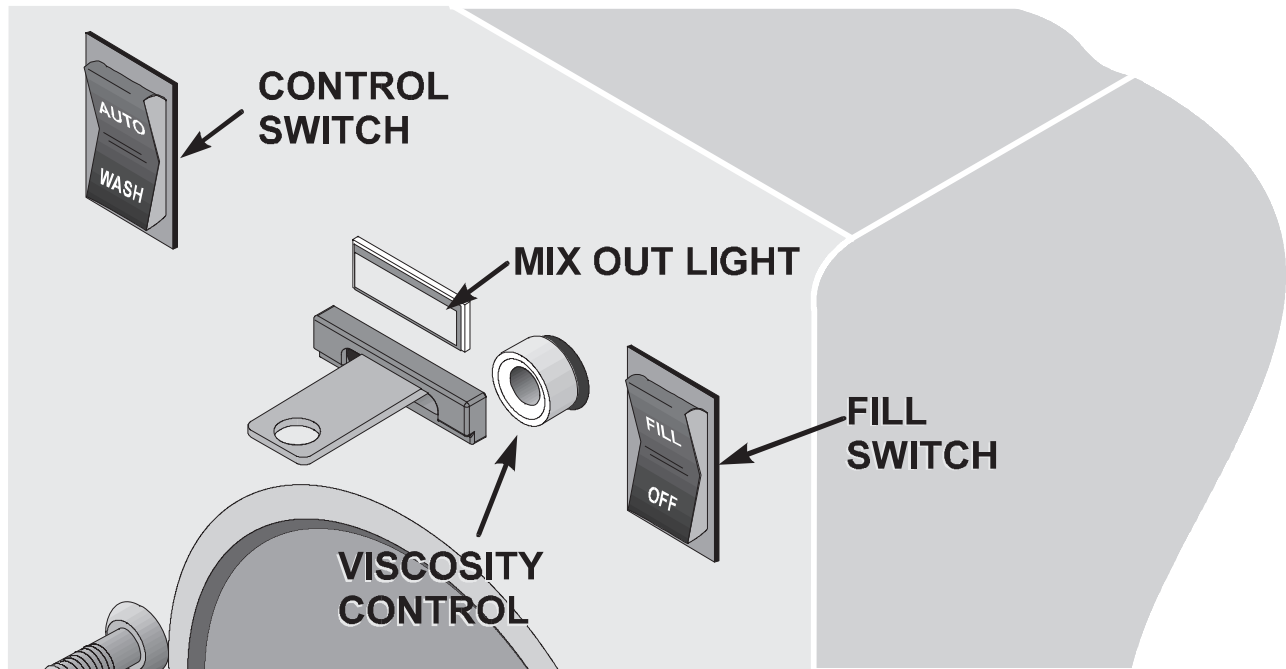


Figure 5-1

## Control Switch

The control switch is located on the front of the machine. The center position is off. The down position is the Wash mode and activates the beater motor only. The up position is the Auto mode. The Auto mode activates the beater motor and enables refrigeration when the fill switch is in the FILL position.

## Fill Switch

The Fill switch is located on the front of the machine. The FILL position enables refrigeration when the control switch is in the Auto position. The FILL position enables the fill module to replenish and maintain product levels in the freezing cylinder and in the hopper. The OFF position terminates the fill function. The refrigeration system is disabled when the Fill switch is in the OFF position.

## Mix Out Light

A mix out indicating light is located on the front panel. When the light is lit, the hopper is empty and the mix supply must be replenished. When the indicator lights, refrigeration is automatically disabled to prevent component damage. The beater motor continues to run.

## Viscosity Control

The viscosity adjustment screw is located on the front of the unit. The viscosity (thickness) of the slush can be adjusted by turning the adjustment screw clockwise for a thicker product or counterclockwise for a thinner product.



We begin our instructions at the point when the parts are disassembled and laid out to air-dry from the previous night's cleaning.

The following procedures will explain how to assemble the parts into the freezer, sanitize them, and prime the freezer with fresh product.

If you are disassembling the machine for the first time or need information to get to this starting point in our instructions, go to "Disassembly" on page 6-9, and start there.

## Assembly



**WARNING!** Make sure the control switch is in the OFF position to eliminate the chance of moving parts. Failure to follow this instruction may result in severe personal injury from hazardous moving parts.

**Note:** When lubricating parts, use an approved food-grade lubricant (example: Taylor Lube HP). Every 3 months discard rubber parts and install new rubber parts.

1. Lubricate the O-ring groove. Slide the O-ring into the first groove on the driveshaft. Lubricate the groove, O-ring, and shaft portion that comes in contact with the rear shell bearing on the beater driveshaft. **Do not** lubricate the square end of the driveshaft.

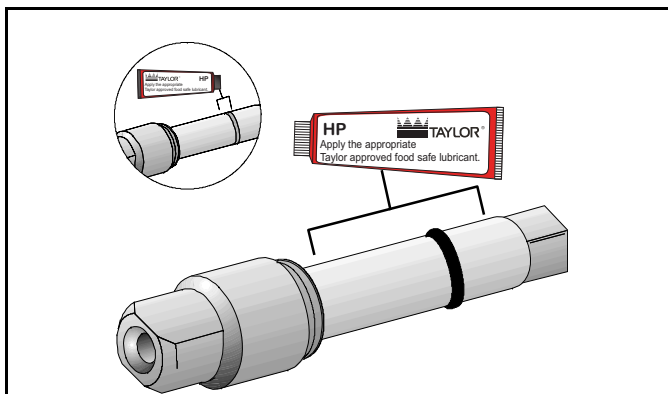


Figure 6-1

2. Slide the seal over the shaft until it snaps into the groove. Fill the inside portion of the seal with lubricant and evenly lubricate the flat side of the seal that fits onto the rear shell bearing.

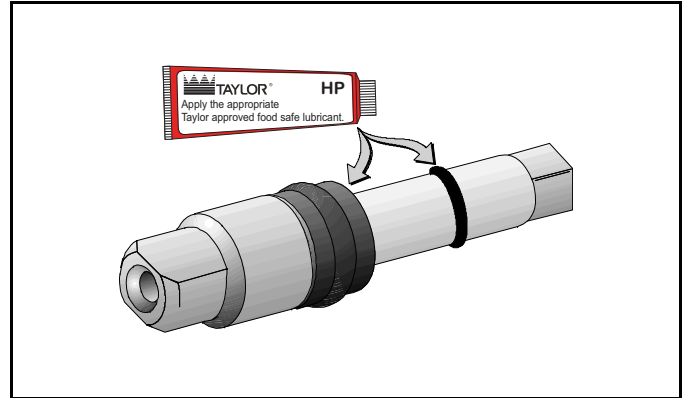


Figure 6-2

3. Install the driveshaft into the freezing cylinder, square end first. The driveshaft seal must fit securely over the rear shell bearing. Make sure the driveshaft fits into the drive coupling without binding.

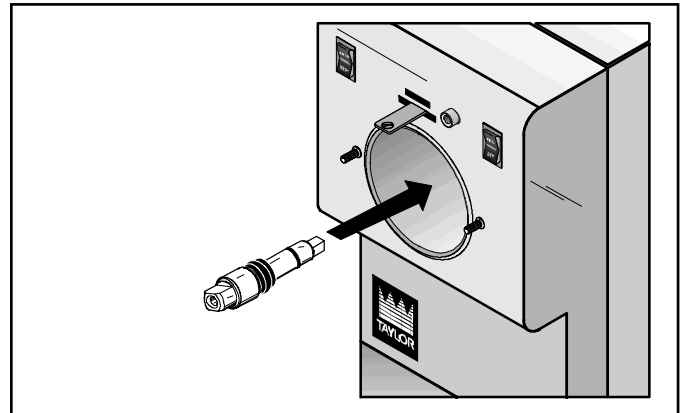


Figure 6-3



**WARNING!** Use extreme caution when handling the beater assembly. The scraper blades are very sharp and may cause injury.

## OPERATING PROCEDURES

- Before installing the beater assembly, check the scraper blades for any signs of wear or damage. If a scraper blade is nicked or worn, replace both blades.

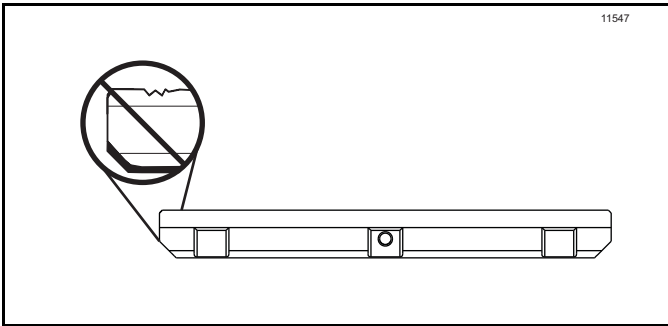


Figure 6-4

- If the blades are in good condition, place the rear scraper blade over the rear holding pin (knife edge to the outside). Holding the blade on the beater, turn it over and install the front blade the same way.

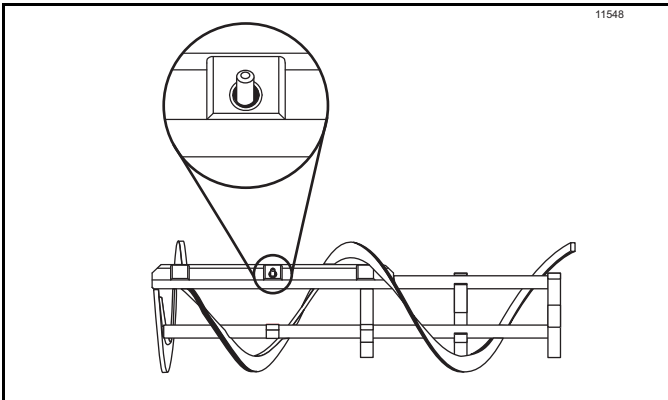


Figure 6-5

- Holding the blades in position, insert the beater assembly into the freezing cylinder, and slide the assembly into position over the driveshaft. Turn the beater slightly to make sure that the beater is properly seated.

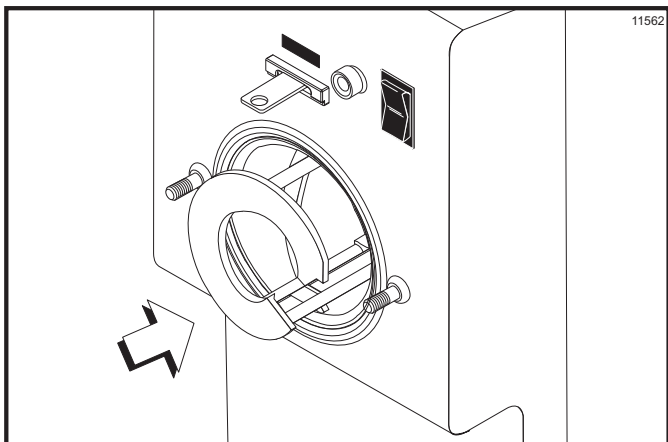


Figure 6-6

**Note:** When in position, the beater will not protrude beyond the front of the freezing cylinder.

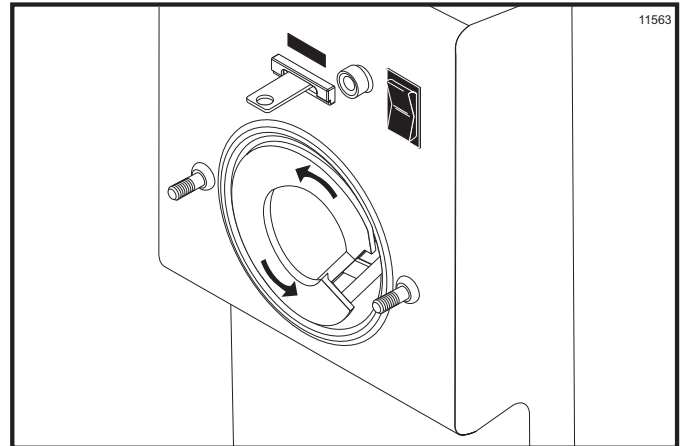


Figure 6-7

- Install the plastic guide bearing on the short end of the torque rotor. Slide the O-ring into the groove on the long end of the torque rotor and lubricate the O-ring. **Do not** lubricate the guide bearing.

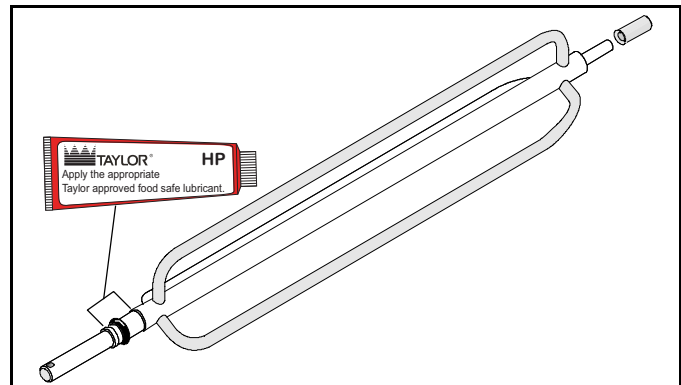


Figure 6-8

- Insert the torque rotor (guide bearing end first) into the pilot hole in the center of the driveshaft. The hole in the torque rotor shaft should be rotated to the 12 o'clock position.

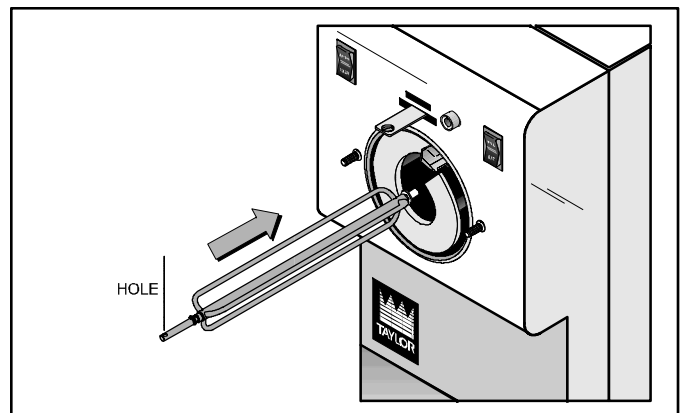


Figure 6-9

9. Before assembling the freezer door, check the following for any nicks, cracks, or signs of wear: door bearing, door gasket, draw valve, O-rings, and all sides of the door assembly, including the inside of the draw valve bore. Replace any damaged parts.
10. Slide the draw valve O-ring into the groove on the draw valve and lubricate the O-ring.

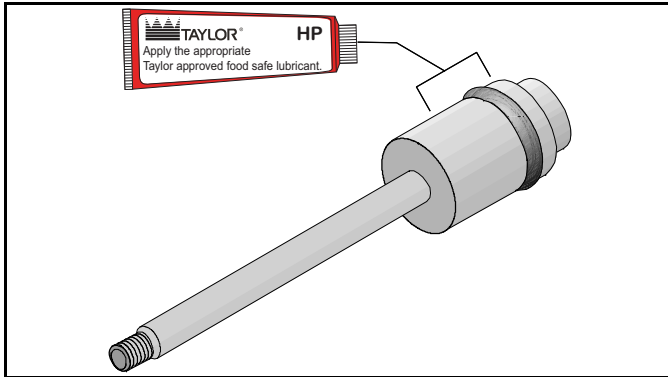


Figure 6-10

11. Place the draw valve spring over the shaft end on the draw valve.

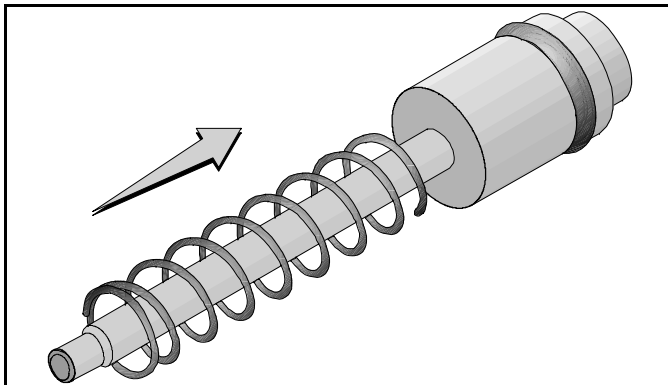


Figure 6-11

12. Insert the draw valve and spring into the door spout until the threaded end of the shaft passes through the hole in the end of the door spout. Thread the draw valve knob onto the end of the draw valve shaft.

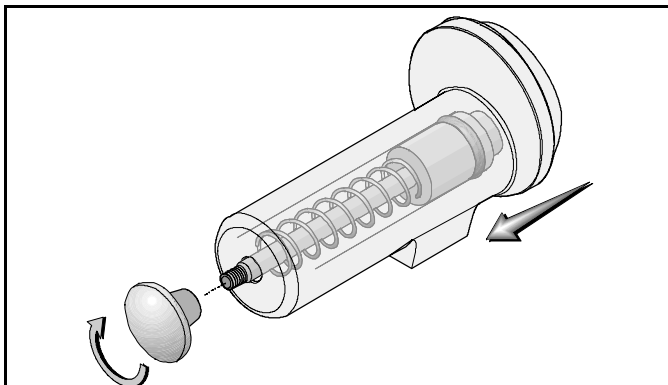


Figure 6-12

13. Place the door spout seal O-ring into the groove in the door and lubricate the components.

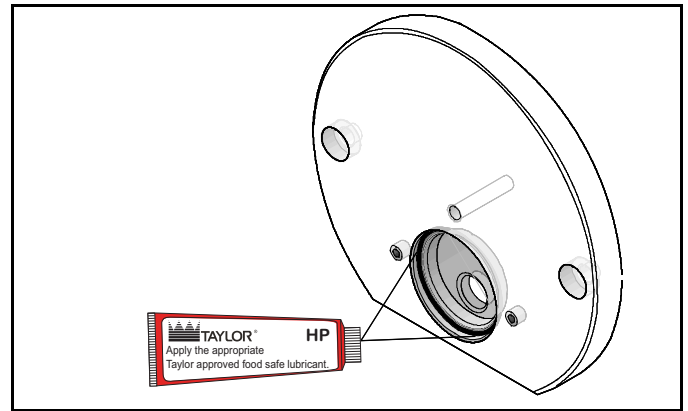


Figure 6-13

14. Align the draw spout assembly with the door. Place the draw spout mounting plate over the draw spout assembly and align the holes.

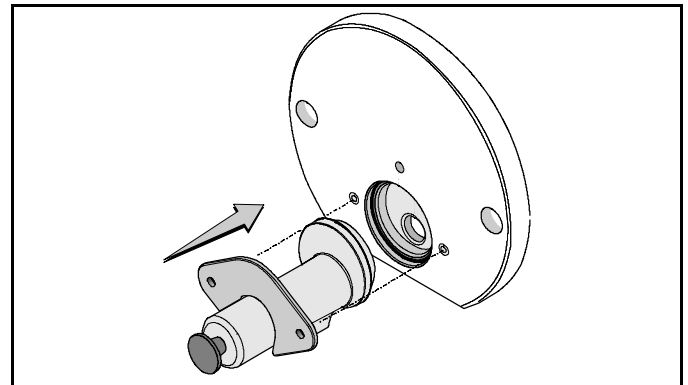


Figure 6-14

15. Using the thumb screws, fasten the draw spout assembly and draw spout mounting plate to the door.

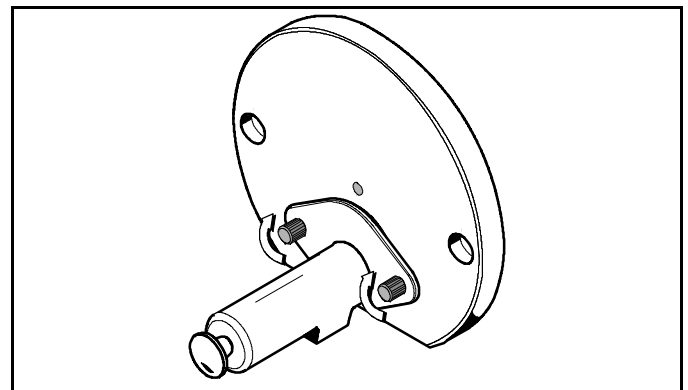


Figure 6-15

## OPERATING PROCEDURES

16. Place the large O-ring into the groove on the back side of the door and lubricate the O-ring. Install the door bearing onto the hub on the back side of the door with the flanged end of the bearing facing the door.

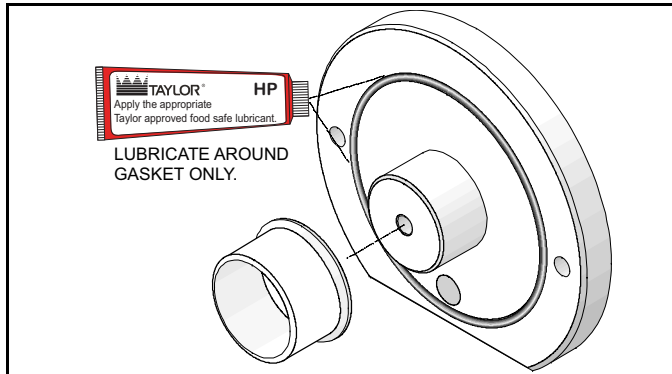


Figure 6-16

**Note:** Do not lubricate the door bearing.

17. Position the door on the freezer studs at the front of the freezing cylinder. Press the door firmly into place.

**Note:** The torque rotor will protrude through the hole in the center of the door.

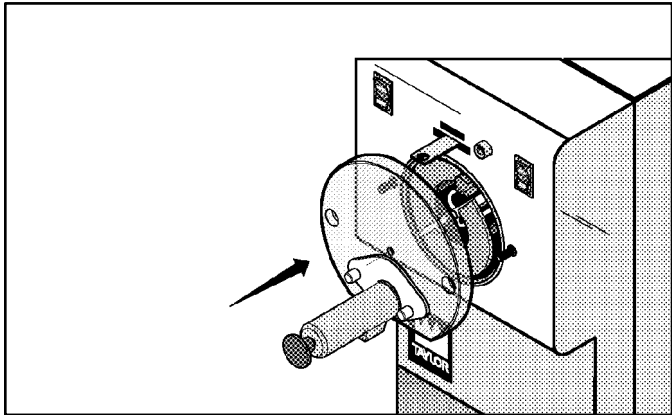


Figure 6-17

18. Install the handscrews on the studs. Tighten the screws equally, in a crisscross pattern. **Do not** overtighten the handscrews.

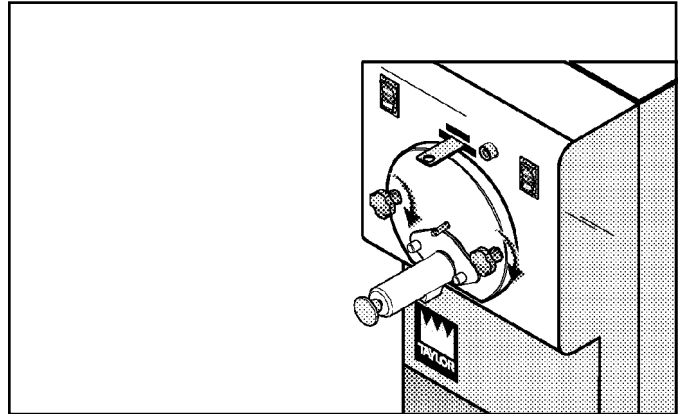


Figure 6-18

19. Position the torque arm by inserting it through the slot in the torque switch arm and down into the hole in the torque rotor which protrudes from the door. Verify proper installation by moving the torque rotor back and forth to make sure it moves freely and easily.

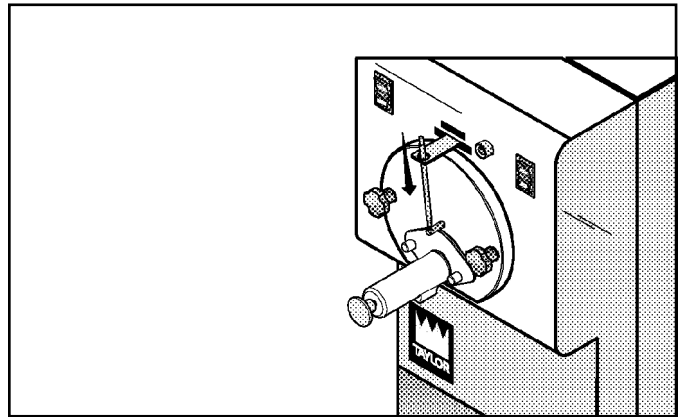


Figure 6-19

20. Install the front drip tray and the splash shield under the door spout.

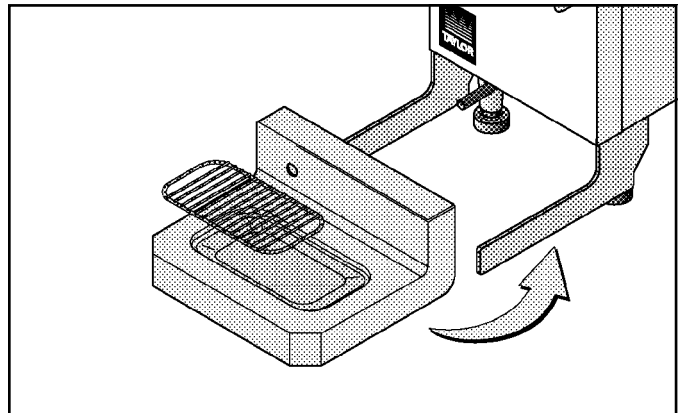


Figure 6-20

### Sanitizing (Without Post Mix Valve)

1. Fill the system. Disconnect the product supply lines from the mix delivery container. Prepare a pail of approved 100 ppm sanitizing solution (examples: 2-1/2 gal. [9.5 L] of Kay-5<sup>®</sup> or 2 gal. [7.6 L] of Stera-Sheen<sup>®</sup>). Use warm water and follow the manufacturer's specifications. Pour the solution into a clean, empty mix delivery container. Connect the container to the mix delivery line.

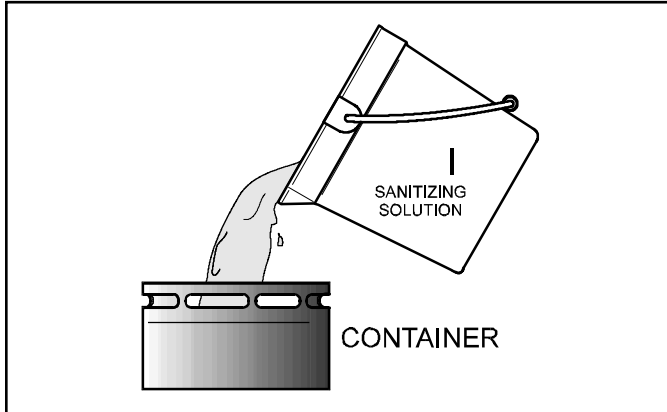


Figure 6-21

2. Place the control switch in the WASH position. Press the fill switch to activate the mix solenoid. The mix solenoid will remain open until the mix level float switch is satisfied. Drain sanitizer from the freezing cylinder and repeat this procedure until full-strength solution is dispensed from the mix delivery container. Make sure all sanitizer is removed from the fill system. Place the fill switch in the OFF position and drain any remaining solution from the freezing cylinder.

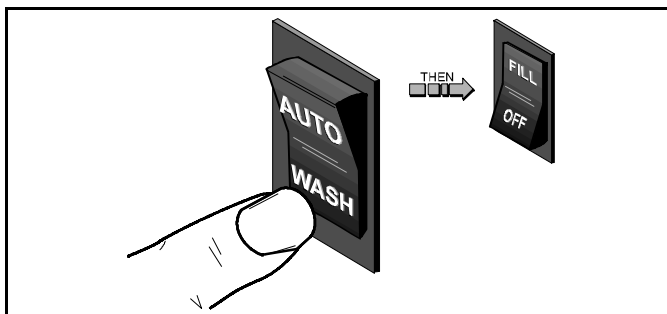


Figure 6-22

**Important!** The machine must **not** be placed in Auto mode until all sanitizing solution has been removed from the freezing cylinder and proper priming procedures have been completed. Failure to follow this instruction may result in damage to the freezing cylinder.

### Sanitizing (With Post Mix Valve)

1. Prepare a pail of approved 100 ppm sanitizing solution (examples: 2-1/2 gal. [9.5 L] of Kay-5<sup>®</sup> or 2 gal. [7.6 L] of Stera-Sheen<sup>®</sup>). Use warm water and follow the manufacturer's specifications. Pour the solution into a clean, empty mix delivery system container.

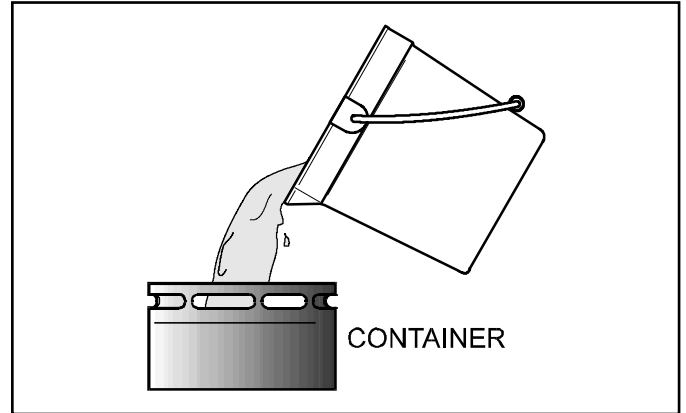


Figure 6-23

2. Place the control switch in the WASH position. Place the fill switch in the on position. To prime the fill valve, press and hold the area marked PUSH on the front of the post mix valve (prime button). After 10 seconds, release the valve, and the sanitizing solution will continue to flow until the mix float is satisfied or until the fill switch is turned to the OFF position.

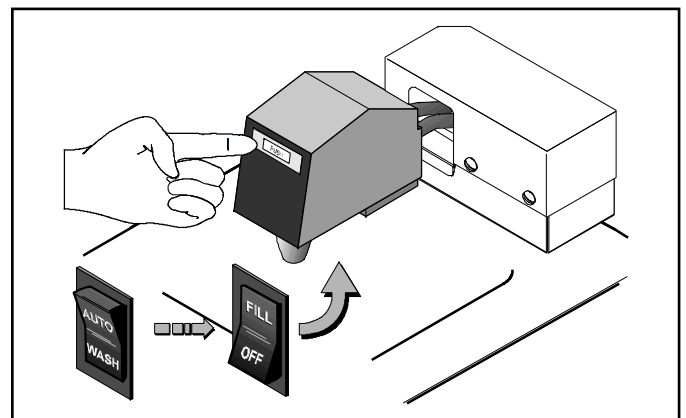


Figure 6-24

## OPERATING PROCEDURES

3. If the sanitizing solution does not continue to flow after releasing the prime button, press and hold the prime button for an additional 10 seconds. Repeat this procedure as required to prime the post mix valve.

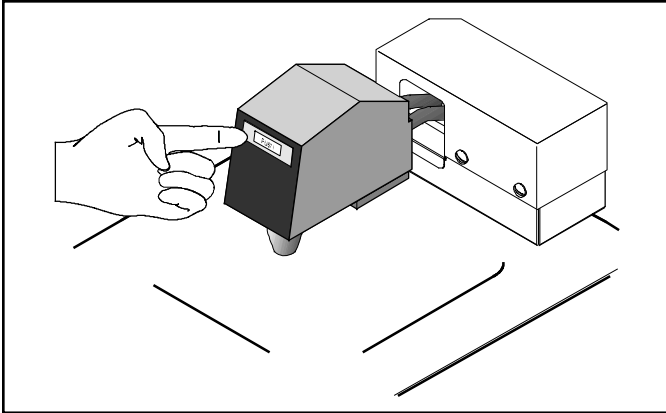


Figure 6-25

4. Drain the sanitizing solution from the freezing cylinder and repeat this procedure until all the sanitizing solution is dispensed from the mix delivery container. Disconnect the mix delivery container.

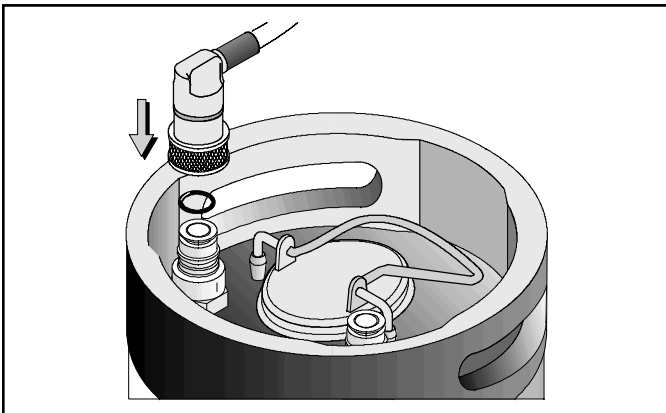


Figure 6-26

**Important!** The machine must **not** be placed in Auto mode until all sanitizing solution has been removed from the freezing cylinder and proper priming procedures have been completed. Failure to follow this instruction may result in damage to the freezing cylinder.

## Dispenser

1. Prepare a pail of approved 100 ppm sanitizing solution (examples: 2-1/2 gal. [9.5 L] of Kay-5<sup>®</sup> or 2 gal. [7.6 L] of Stera-Sheen<sup>®</sup>). Use warm water and follow the manufacturer's specifications. Remove the upper rear cover, and open the hopper cover. Pour the sanitizing solution into the hopper and allow the solution to flow into the freezing cylinder.

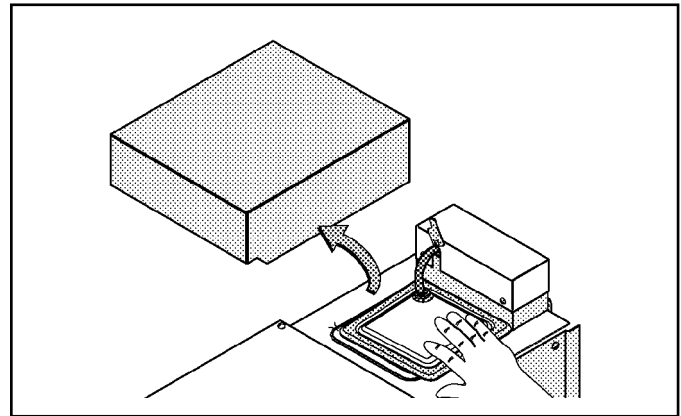


Figure 6-27

2. Once the mix float switch is submerged in the sanitizing solution, brush-clean the mix hopper, mix inlet hole, and mix-level float switch.

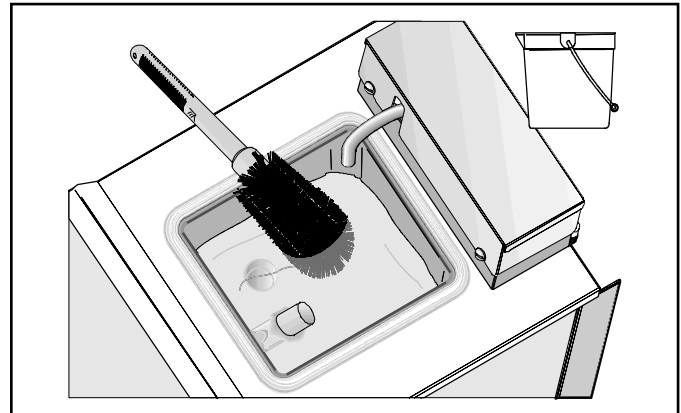


Figure 6-28

- Place the control switch in the WASH position. This will cause the sanitizing solution in the freezing cylinder to be agitated. Allow the solution to agitate for 5 minutes.

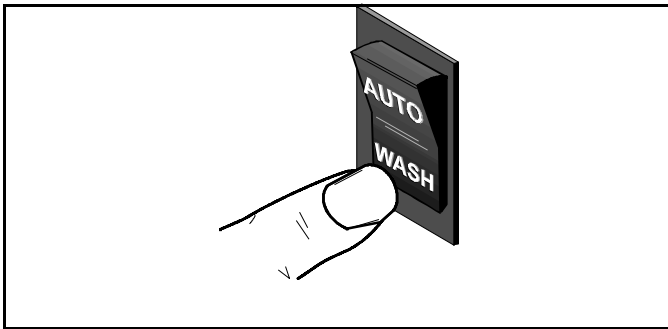


Figure 6-29

- Place the control switch in the off position. Place an empty pail beneath the door spout. Open the draw valve and draw off all of the sanitizing solution. When the sanitizer stops flowing from the door spout, close the draw valve.

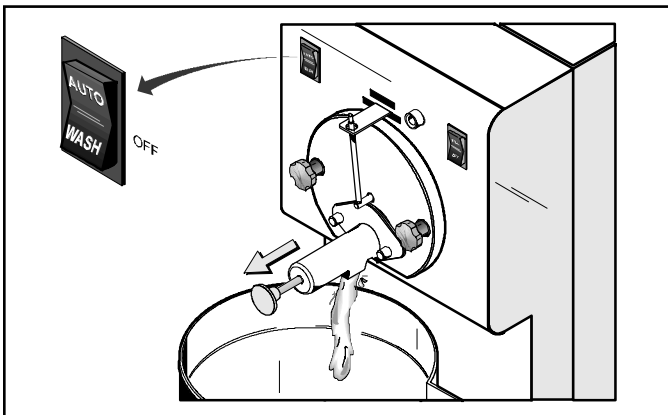


Figure 6-30

- Replace the hopper cover and the upper rear cover.

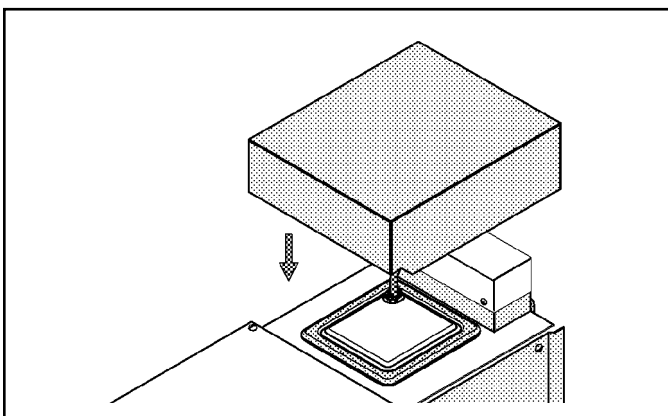


Figure 6-31

**Important!** The machine must **not** be placed in Auto mode until all sanitizing solution has been removed from the freezing cylinder and proper priming procedures have been completed. Failure to follow this instruction may result in damage to the freezing cylinder.

### Priming (Without Post Mix Valve)

With a pail beneath the door spout, open the draw valve. Press the fill switch to allow fresh product to flow into the freezing cylinder. This will force out any remaining sanitizing solution. When full-strength product is flowing from the door spout, close the draw valve. Allow the freezing cylinder to fill until the mix-level float switch has satisfied the fill system.

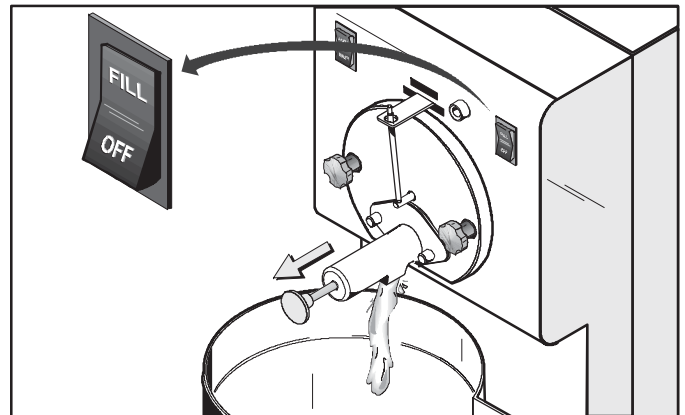


Figure 6-32

**Important!** Failure to remove all sanitizing solution may result in damage to the freezing cylinder.

## Priming (With Post Mix Valve)

1. With a pail beneath the door spout, open the draw valve. Place the fill switch in the FILL position. Press and hold the area labeled PUSH on the front of the post mix valve (prime switch). Release the valve after 10 seconds. Allow the product to flow out of the draw valve until full-strength product is delivered. This will force out any remaining sanitizing solution. Close the draw valve and allow the freezing cylinder to fill.
2. Place the control switch in the AUTO position. When the machine cycles off, the product will be at serving viscosity. The viscosity (thickness) of the slush can be adjusted by turning the viscosity adjustment screw on the upper right of the front panel. Turn the viscosity adjustment screw clockwise for a thicker product, or counterclockwise for a thinner product. After making an adjustment, allow the refrigeration system to cycle two or three times to accurately evaluate the viscosity.

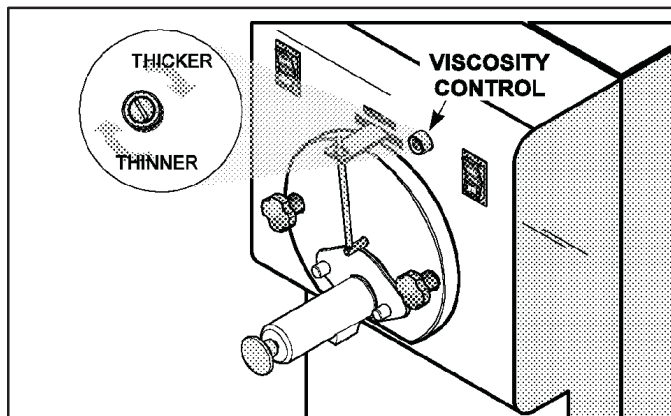


Figure 6-33

**Note:** In order for the refrigeration system to operate, the fill switch must be in the FILL position while the control switch is in the AUTO position.

## Closing Procedure

To disassemble the Model RD30, the following items will be needed:

- Two cleaning pails
- Cleaning brushes provided with freezer
- Cleaner
- Single-service towels

## Draining Product from the Freezing Cylinder

1. Turn the fill switch to the OFF position. Place the control switch in the WASH position as far ahead of cleaning time as possible. This will allow frozen product to soften for easier draining.
2. With a sanitized pail beneath the door spout, open the draw valve. When all of the product has been drained from the mix hopper and freezing cylinder, close the draw valve. Make sure the control switch is in the off position.

## Rinsing

1. Remove the upper rear cover, and open the hopper cover.
2. Pour cool, clean water into the mix hopper and allow it to flow into the freezing cylinder. With the brushes provided, scrub the mix hopper, mix inlet hole, and mix-level float switch.

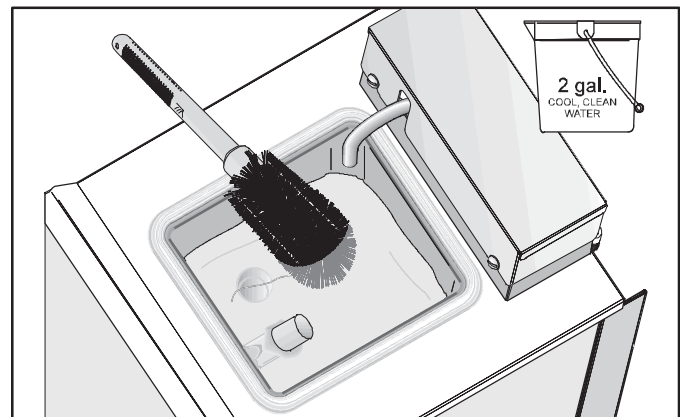


Figure 6-34

3. Place the control switch in the WASH position. With a pail beneath the door spout, open the draw valve. Drain all the rinse water from the freezing cylinder. When the rinse water stops flowing from the door spout, close the draw valve and place the control switch in the off position.

Repeat this procedure until the rinse water being drawn from the freezing cylinder is clear.

## Cleaning

1. Prepare a pail of approved 100 ppm cleaning solution (examples: 2-1/2 gal. [9.5 L] of Kay-5® or 2 gal. [7.6 L] of Stera-Sheen®). Use warm water and follow the manufacturer's specifications.
2. Pour the cleaning solution into the hopper and allow it to flow into the freezing cylinder.
3. Once the mix float switch is submerged in the cleaning solution, brush-clean the mix hopper, mix inlet hole, and mix-level float switch.
4. Place the control switch in the WASH position. This will cause the cleaning solution in the freezing cylinder to be agitated. Allow the solution to agitate for 5 minutes.
5. Place the control switch in the off position. Place an empty pail beneath the door spout. Open the draw valve and draw off all of the cleaning solution. When the solution stops flowing from the door spout, close the draw valve.

## Disassembly



**WARNING!** Make sure the power switch is in the OFF position. Failure to follow this instruction may result in severe personal injury from hazardous moving parts.

1. Remove the torque arm, handscrews, freezer door, beater assembly, scraper blades, torque rotor, and driveshaft, and take these parts to the sink for cleaning.
2. Remove the front drip tray and splash shield and take them to the sink for cleaning.

## Brush-Cleaning

1. Prepare a sink with an approved cleaning solution in warm water according to the manufacturer's specifications. Make sure all brushes provided with the freezer are available for brush-cleaning.
2. Remove the following components:
  - Seal and O-ring from the driveshaft.
  - O-ring and door bearing from the freezer door.
  - Door spout from the freezer door.
  - Draw valve and spring from the door spout.
  - O-ring from the draw valve.
  - O-ring and guide bearing from the torque rotor.
  - Scraper blades.

**Note:** To remove O-rings, use a single-service towel to grasp the O-ring. Apply pressure in an upward direction until the O-ring pops out of its groove. With the other hand, push the top of the O-ring forward; it will roll out of the groove and can be removed easily.

3. Thoroughly brush-clean all disassembled parts in the cleaning solution, making sure all lubricant and mix film is removed. Place all the cleaned parts on a clean, dry surface to air-dry.
4. Return to the freezer with a small amount of cleaning solution. Brush-clean the rear shell bearing with the black bristle brush.
5. Wipe clean all exterior surfaces of the freezer.



## During Cleaning and Sanitizing



**ALWAYS FOLLOW LOCAL HEALTH CODES.**

Cleaning and sanitizing schedules are governed by your state or local regulatory agencies and must be followed accordingly. The following checkpoints should be stressed during the cleaning and sanitizing operations.

**Important!** *Cleaning and sanitizing must be performed daily.*

## Troubleshooting Bacterial Count

- Thoroughly clean and sanitize the machine regularly, including complete disassembly and brush-cleaning.
- Use all brushes supplied for thorough cleaning. The brushes are specially designed to reach all product passageways.
- Use the brush to clean the mix inlet hole which extends from the mix hopper down to the rear of the freezing cylinder.
- Use the black bristle brush to thoroughly clean the rear shell bearing located at the rear of the freezing cylinder. Use a generous amount of cleaning solution on the brush.
- Using a screwdriver and cloth towel, clean the female square drive socket and rear shell bearing of lubricant and product deposits.
- Properly prepare the cleaning and sanitizing solutions. Read and follow label directions carefully. Too **strong** of a solution may damage the parts, and too **weak** of a solution will not do an adequate job of cleaning or sanitizing.
- Clean and sanitize the product lines regularly to prevent syrup residue buildup that would restrict the proper flow of syrup.
- On a regular basis, take a brix reading to ensure a consistent, quality product (post mix valve systems only).

## Regular Maintenance Checks

- Replace scraper blades that are nicked or damaged.
- Before installing the beater, make sure the scraper blades are properly attached over the pins.
- Check the rear shell bearing for signs of wear (excessive product leakage from the rear drip pans to the front drip tray).
- Dispose of O-rings and seals if they are worn, torn, or fit too loosely, and replace them with new ones.
- Follow all lubricating procedures as outlined in "Assembly" on page 6-1.
- If your machine is air-cooled, check the condenser(s) for dirt and lint. Dirty condensers will reduce the efficiency and capacity of the machine. Condensers should be cleaned monthly. Use a soft brush to clean between the fins. Never use screwdrivers or other metal probes to clean between the fins.

**Note:** *For machines equipped with an air filter, it will be necessary to vacuum-clean the filters monthly.*

### Winter Storage



**CAUTION!** If the freezer is subjected to unheated or freezing conditions, follow the freezer winter storage procedure. Failure to follow this procedure may cause severe and costly damage to the refrigeration system.

If the place of business is to be closed during the winter months, it is important to protect the freezer by following certain precautions, particularly if the building is subject to freezing conditions.

Your local Taylor distributor can perform this service for you.

1. Disconnect the freezer from the main power source to prevent possible electrical damage.
2. Wrap detachable parts of the freezer such as the beater, blades, driveshaft, and freezer door, and place in a protected dry place.
3. Rubber trim parts and gaskets can be protected by wrapping them with moisture-proof paper.
4. All parts should be thoroughly cleaned of dried mix or lubrication, which can attract mice and other vermin.

Table 8-1

Problem	Probable Cause	Remedy	Page Ref.
1. No product is being dispensed with the draw valve open.	<ul style="list-style-type: none"> <li>a. Product freeze-up because of improper product mixing.</li> <li>b. The torque arm is not installed.</li> <li>c. Bent or improperly installed torque rotor.</li> </ul>	<ul style="list-style-type: none"> <li>a. Follow directions for mixing product carefully.</li> <li>b. Install the torque arm.</li> <li>c. Replace the bent rotor or follow proper assembly procedures.</li> </ul>	<ul style="list-style-type: none"> <li>--</li> <li>6-5</li> <li>6-2</li> </ul>
2. The product is too thin.	<ul style="list-style-type: none"> <li>a. Improper mixing of product.</li> <li>b. Missing, incorrectly installed, or worn scraper blades.</li> <li>c. The viscosity adjustment screw needs to be adjusted.</li> <li>d. The torque rotor is bound, leaving the torque arm in the cold position. Therefore, the compressor will not run.</li> </ul>	<ul style="list-style-type: none"> <li>a. Follow directions for mixing product carefully.</li> <li>b. Replace or install the blades correctly.</li> <li>c. Adjust the screw accordingly.</li> <li>d. Free the torque rotor.</li> </ul>	<ul style="list-style-type: none"> <li>--</li> <li>6-2</li> <li>1-3, 5-1</li> <li>--</li> </ul>
3. The product is too stiff.	<ul style="list-style-type: none"> <li>a. The torque rotor is bound, leaving the torque arm in the warm position. Therefore, the compressor continually runs.</li> <li>b. The torque arm is missing or bent.</li> <li>c. The viscosity adjustment screw needs to be adjusted.</li> <li>d. Improper mixing of product.</li> </ul>	<ul style="list-style-type: none"> <li>a. Free the torque rotor.</li> <li>b. Install or replace the torque arm.</li> <li>c. Adjust the screw accordingly.</li> <li>d. Follow directions for mixing product carefully.</li> </ul>	<ul style="list-style-type: none"> <li>--</li> <li>6-5</li> <li>1-3, 5-1</li> <li>--</li> </ul>
4. The freezing cylinder walls are scored.	<ul style="list-style-type: none"> <li>a. The scraper blades are damaged.</li> <li>b. The door bearing is missing or worn.</li> <li>c. Machine was placed in Auto before all sanitizing solution was removed from freezing cylinder.</li> <li>d. Broken pins on beater assembly.</li> <li>e. The beater assembly is bent.</li> </ul>	<ul style="list-style-type: none"> <li>a. Replace the scraper blades.</li> <li>b. Install or replace the door bearing.</li> <li>c. Place machine in Auto mode only after priming is complete and all sanitizing solution is removed.</li> <li>d. Repair or replace the beater assembly. Make sure the scraper blades are properly seated on pins.</li> <li>e. Call a service technician to repair or replace the beater and to correct the cause of insufficient mix in the freezing cylinder.</li> </ul>	<ul style="list-style-type: none"> <li>6-2</li> <li>6-4</li> <li>6-5 - 6-7</li> <li>6-2</li> <li>--</li> </ul>
5. Unable to remove the driveshaft.	<ul style="list-style-type: none"> <li>a. There is lubrication on the square end of the driveshaft.</li> <li>b. Rounded corners of the driveshaft, drive coupling, or both components.</li> </ul>	<ul style="list-style-type: none"> <li>a. Do not lubricate the square end of the driveshaft. Contact a service technician for driveshaft removal.</li> <li>b. Replace the driveshaft, drive coupling, or both components.</li> </ul>	<ul style="list-style-type: none"> <li>6-1</li> <li>--</li> </ul>

## TROUBLESHOOTING GUIDE

Problem	Probable Cause	Remedy	Page Ref.
6. Excessive mix leakage in the rear drip pan.	a. Improper or inadequate lubrication on the driveshaft O-ring or seal.	a. Use the correct lubricant (Taylor Lube) and follow proper lubrication procedures.	6-1
	b. Worn or missing O-ring or seal on the driveshaft.	b. Replace rubber parts every 3 months.	6-1
	c. Worn rear shell bearing.	c. Contact a service technician for component replacement.	--
7. No freezer operation with the machine in the AUTO position.	a. The machine is unplugged.	a. Plug the power cord in the wall receptacle.	--
	b. The beater motor has tripped the internal overload.	b. Place the toggle switch in the OFF position. Allow the motor to cool, then resume normal operation. Contact a service technician if the problem continues.	--
	c. The fill switch is not in the ON position.	c. Place the fill switch in the ON position.	1-3
	d. The circuit breaker tripped or the fuse has blown.	d. Reset the circuit breaker or replace the blown fuse.	--
8. The machine is not freezing product when placed in the Auto mode.	a. The torque rotor is bound, leaving the torque arm in the cold position. Therefore the compressor will not run.	a. Free the torque rotor.	--
	b. The torque arm is bent.	b. Replace the torque arm.	--
	c. The condensers are dirty.	c. Clean the condensers monthly.	7-1
	d. The fill system switch is not in the ON position.	d. Turn the fill switch to the ON position.	1-3
	e. There is a mix out condition.	e. Refill the mix system.	1-3
	f. The circuit breaker has tripped or the fuse has blown on the condensing machine.	f. Reset the circuit breaker or replace the blown fuse.	--
9. The guide bearing is missing.	a. The guide bearing is stuck in the driveshaft.	a. Remove the guide bearing from the hole in the driveshaft.	--
10. There is excessive leakage from the draw spout.	a. There is improper or inadequate lubrication on the draw valve O-rings.	a. Use the correct lubricant (Taylor Lube) and follow proper lubrication procedures.	6-3
	b. Worn or missing draw valve O-ring.	b. Replace rubber parts every 3 months.	6-1
11. The door is not easily installed.	a. Position of the beater assembly.	a. The open end of the beater assembly should be in the 11 o'clock position.	6-2

Table 9-1

Part Description	Every 3 Months	Every 6 Months	Annually
Scraper Blade		Inspect and replace if necessary.	Minimum
Driveshaft Seal	X		
Freezer Door O-ring	X		
Door Port O-ring	X		
Front Bearing	X		
Door Spout O-ring	X		
Drive Shaft O-ring	X		
Torque Arm O-ring	X		
Brushes		Inspect and replace if necessary.	Minimum



## TAYLOR COMPANY LIMITED WARRANTY ON FREEZERS

Taylor Company is pleased to provide this limited warranty on new Taylor-branded freezer equipment available from Taylor to the market generally (the "Product") to the original purchaser only.

### LIMITED WARRANTY

Taylor warrants the Product against failure due to defect in materials or workmanship under normal use and service as follows. All warranty periods begin on the date of original Product installation. If a part fails due to defect during the applicable warranty period, Taylor, through an authorized Taylor distributor or service agency, will provide a new or remanufactured part, at Taylor's option, to replace the failed defective part at no charge for the part. Except as otherwise stated herein, these are Taylor's exclusive obligations under this limited warranty for a Product failure. This limited warranty is subject to all provisions, conditions, limitations, and exclusions listed below and on the reverse (if any) of this document.

Table 10-1

Product	Part	Limited Warranty Period
Soft Serve	Insulated shell assembly	Five (5) years
Frozen Yogurt Shakes	Refrigeration compressor (except service valve)	Five (5) years
Smoothies	Beater motors	Two (2) years
Frozen Beverage	Beater drive gear	Two (2) years
Batch Desserts	Printed circuit boards and Softech controls beginning with serial number H8024200	Two (2) years
	Parts not otherwise listed in this table or excluded below	One (1) years

### LIMITED WARRANTY CONDITIONS

1. If the date of original installation of the Product cannot be verified, then the limited warranty period begins ninety (90) days from the date of Product manufacture (as indicated by the Product serial number). Proof of purchase may be required at time of service.
2. This limited warranty is valid only if the Product is installed and all required service work on the Product is performed by an authorized Taylor distributor or service agency, and only if genuine, new Taylor parts are used.
3. Installation, use, care, and maintenance must be normal and in accordance with all instructions contained in the Taylor Operator's Manual.
4. Defective parts must be returned to the authorized Taylor distributor or service agency for credit.
5. The use of any refrigerant other than that specified on the Product's data label will void this limited warranty.

### LIMITED WARRANTY EXCEPTIONS

This limited warranty does **not** cover:

1. Labor or other costs incurred for diagnosing, repairing, removing, installing, shipping, servicing, or handling of defective parts, replacement parts, or new Products.
2. Normal maintenance, cleaning and lubrication as outlined in the Taylor Operator's Manual, including cleaning of condensers.

## LIMITED WARRANTY ON EQUIPMENT

---

3. Replacement of wear items designated as Class "000" parts in the Taylor Operator's Manual.
4. External hoses, electrical power supplies, and machine grounding.
5. Parts not supplied or designated by Taylor, or damages resulting from their use.
6. Return trips or waiting time required because a service technician is prevented from beginning warranty service work promptly upon arrival.
7. Failure, damage, or repairs due to faulty installation, misapplication, abuse, no or improper servicing, unauthorized alteration, or improper operation or use as indicated in the Taylor Operator's Manual, including but not limited to the failure to use proper assembly and cleaning techniques, tools, or approved cleaning supplies.
8. Failure, damage, or repairs due to theft, vandalism, wind, rain, flood, high water, water, lightning, earthquake, or any other natural disaster, fire, corrosive environments, insect or rodent infestation, or other casualty, accident or condition beyond the reasonable control of Taylor; operation above or below the electrical or water supply specification of the Product; or components repaired or altered in any way so as, in the judgment of the Manufacturer, to adversely affect performance, or normal wear or deterioration.
9. Any Product purchased over the Internet.
10. Failure to start due to voltage conditions, blown fuses, open circuit breakers, or damages due to the inadequacy or interruption of electrical service.
11. Electricity, or fuel costs, or increases in electricity or fuel costs from any reason whatsoever.
12. Damages resulting from the use of any refrigerant other than that specified on the Product's data label will void this limited warranty.
13. Any cost to replace, refill, or dispose of refrigerant, including the cost of refrigerant.
14. **ANY SPECIAL, INDIRECT, OR CONSEQUENTIAL PROPERTY OR COMMERCIAL DAMAGE OF ANY NATURE WHATSOEVER.** Some jurisdictions do not allow the exclusion of incidental or consequential damages, so this limitation may not apply to you.

This limited warranty gives you specific legal rights, and you may also have other rights which vary from jurisdiction to jurisdiction.

### LIMITATION OF WARRANTY

**THIS LIMITED WARRANTY IS EXCLUSIVE AND IS IN LIEU OF ALL OTHER WARRANTIES, CONDITIONS, AND/OR REMEDIES UNDER THE LAW, INCLUDING ANY IMPLIED WARRANTIES OR CONDITIONS OF MERCHANTABILITY OR FITNESS FOR A PARTICULAR PURPOSE. THE ORIGINAL OWNER'S SOLE REMEDY WITH RESPECT TO ANY PRODUCTS SHALL BE REPAIR OR REPLACEMENT OF DEFECTIVE COMPONENTS UNDER THE TERMS OF THIS LIMITED WARRANTY. ALL RIGHTS TO CONSEQUENTIAL OR INCIDENTAL DAMAGES (INCLUDING CLAIMS FOR LOST SALES, LOST PROFITS, PRODUCT LOSS, PROPERTY DAMAGES, OR SERVICE EXPENSES) ARE EXPRESSLY EXCLUDED. THE EXPRESS WARRANTIES MADE IN THIS LIMITED WARRANTY MAY NOT BE ALTERED, ENLARGED, OR CHANGED BY ANY DISTRIBUTOR, DEALER, OR OTHER PERSON, WHATSOEVER.**

### LEGAL REMEDIES

**10** The owner **must** notify Taylor in writing, by certified or registered letter to the following address, of any defect or complaint with the Product, stating the defect or complaint and a specific request for repair, replacement, or other correction of the Product under warranty, mailed at least thirty (30) days before pursuing any legal rights or remedies..

Taylor Company  
750 N. Blackhawk Blvd.  
Rockton, IL 61072, U.S.A.

## TAYLOR COMPANY LIMITED WARRANTY ON TAYLOR GENUINE PARTS

Taylor Company is pleased to provide this limited warranty on new Taylor genuine replacement components and parts available from Taylor to the market generally (the “Parts”) to the original purchaser only.

### LIMITED WARRANTY

Taylor warrants the Parts against failure due to defect in materials or workmanship under normal use and service as follows. All warranty periods begin on the date of original installation of the Part in the Taylor unit. If a Part fails due to defect during the applicable warranty period, Taylor, through an authorized Taylor distributor or service agency, will provide a new or remanufactured Part, at Taylor’s option, to replace the failed defective Part at no charge for the Part. Except as otherwise stated herein, these are Taylor’s exclusive obligations under this limited warranty for a Part failure. This limited warranty is subject to all provisions, conditions, limitations, and exclusions listed below and on the reverse (if any) of this document.

Table 11-1

Parts Warranty Class Code or Part	Limited Warranty Period
Class 103 Parts <sup>1</sup>	Three (3) Months
Class 212 Parts <sup>2</sup>	Twelve (12) Months
Class 512 Parts	Twelve (12) Months
Class 000 Parts	No Warranty

### LIMITED WARRANTY CONDITIONS

1. If the date of original installation of the Part cannot be otherwise verified, proof of purchase may be required at time of service.
2. This limited warranty is valid only if the Part is installed and all required service work in connection with the Part is performed by an authorized Taylor distributor or service agency.
3. The limited warranty applies only to Parts remaining in use by their original owner at their original installation location in the unit of original installation.
4. Installation, use, care, and maintenance must be normal and in accordance with all instructions contained in the Taylor Operator’s Manual.
5. Defective Parts must be returned to the authorized Taylor distributor or service agency for credit.
6. This warranty is not intended to shorten the length of any warranty coverage provided pursuant to a separate Taylor Limited Warranty on freezer or grill equipment.
7. The use of any refrigerant other than that specified for the unit in which the Part is installed will void this limited warranty.

<sup>1, 2</sup> Except that Taylor Part #032129SER2 (Compressor-Air-230V SERV) and Taylor Part #075506SER1 (Compressor-Air-115V 60HZ) shall have a limited warranty period of twelve (12) months when used in Taylor freezer equipment and a limited warranty period of two (2) years when used in Taylor grill equipment.

## LIMITED WARRANTY ON PARTS

---

### LIMITED WARRANTY EXCEPTIONS

This limited warranty does **not** cover:

1. Labor or other costs incurred for diagnosing, repairing, removing, installing, shipping, servicing, or handling of defective Parts, replacement Parts, or new Parts.
2. Normal maintenance, cleaning, and lubrication as outlined in the Taylor Operator's Manual, including cleaning of condensers or carbon and grease buildup.
3. Required service, whether cleaning or general repairs, to return the cooking surface assemblies, including the upper platen and lower plate, to an operational condition to achieve proper cooking or allow proper assembly of release sheets and clips as a result of grease build-up on the cooking surfaces, including but not limited to the platen and plate, sides of the shroud or top of the shroud.
4. Replacement of cooking surfaces, including the upper platen and lower plate, due to pitting or corrosion (or in the case of the upper platen, due to loss of plating) as a result of damage due to the impact of spatulas or other small wares used during the cooking process or as a result of the use of cleaners, cleaning materials or cleaning processes not approved for use by Taylor.
5. Replacement of wear items designated as Class "000" Parts in the Taylor Operator's Manual, as well as any release sheets and clips for the Product's upper platen assembly.
6. External hoses, electrical power supplies, and machine grounding.
7. Parts not supplied or designated by Taylor, or damages resulting from their use.
8. Return trips or waiting time required because a service technician is prevented from beginning warranty service work promptly upon arrival.
9. Failure, damage, or repairs due to faulty installation, misapplication, abuse, no or improper servicing, unauthorized alteration, or improper operation or use as indicated in the Taylor Operator's Manual, including but not limited to the failure to use proper assembly and cleaning techniques, tools, or approved cleaning supplies.
10. Failure, damage, or repairs due to theft, vandalism, wind, rain, flood, high water, water, lightning, earthquake, or any other natural disaster, fire, corrosive environments, insect or rodent infestation, or other casualty, accident or condition beyond the reasonable control of Taylor; operation above or below the gas, electrical or water supply specification of the unit in which a part is installed; or Parts or the units in which they are installed repaired or altered in any way so as, in the judgment of Taylor, to adversely affect performance, or normal wear or deterioration.
11. Any Part purchased over the Internet.
12. Failure to start due to voltage conditions, blown fuses, open circuit breakers, or damages due to the inadequacy or interruption of electrical service.
13. Electricity, gas, or other fuel costs, or increases in electricity or fuel costs from any reason whatsoever.
14. Damages resulting from the use of any refrigerant other than that specified for the unit in which the Part is installed will void this limited warranty.
15. Any cost to replace, refill, or dispose of refrigerant, including the cost of refrigerant.
16. **ANY SPECIAL, INDIRECT, OR CONSEQUENTIAL PROPERTY OR COMMERCIAL DAMAGE OF ANY NATURE WHATSOEVER.** Some jurisdictions do not allow the exclusion of incidental or consequential damages, so this limitation may not apply to you.

This limited warranty gives you specific legal rights, and you may also have other rights which vary from jurisdiction to jurisdiction.

**LIMITATION OF WARRANTY**

**THIS LIMITED WARRANTY IS EXCLUSIVE AND IS IN LIEU OF ALL OTHER WARRANTIES, CONDITIONS, AND/ OR REMEDIES UNDER THE LAW, INCLUDING ANY IMPLIED WARRANTIES OR CONDITIONS OF MERCHANTABILITY OR FITNESS FOR A PARTICULAR PURPOSE. THE ORIGINAL OWNER'S SOLE REMEDY WITH RESPECT TO ANY PRODUCTS SHALL BE REPAIR OR REPLACEMENT OF DEFECTIVE PARTS UNDER THE TERMS OF THIS LIMITED WARRANTY. ALL RIGHTS TO CONSEQUENTIAL OR INCIDENTAL DAMAGES (INCLUDING CLAIMS FOR LOST SALES, LOST PROFITS, PRODUCT LOSS, PROPERTY DAMAGES, OR SERVICE EXPENSES) ARE EXPRESSLY EXCLUDED. THE EXPRESS WARRANTIES MADE IN THIS LIMITED WARRANTY MAY NOT BE ALTERED, ENLARGED, OR CHANGED BY ANY DISTRIBUTOR, DEALER, OR OTHER PERSON, WHATSOEVER.**

**LEGAL REMEDIES**

The owner **must** notify Taylor in writing by certified or registered letter to the following address of any defect or complaint with the Part, stating the defect or complaint and a specific request for repair, replacement, or other correction of the Part under warranty, mailed at least thirty (30) days before pursuing any legal rights or remedies.

Taylor Company  
.750 N. Blackhawk Blvd.  
Rockton, IL 61072, U.S.A.

