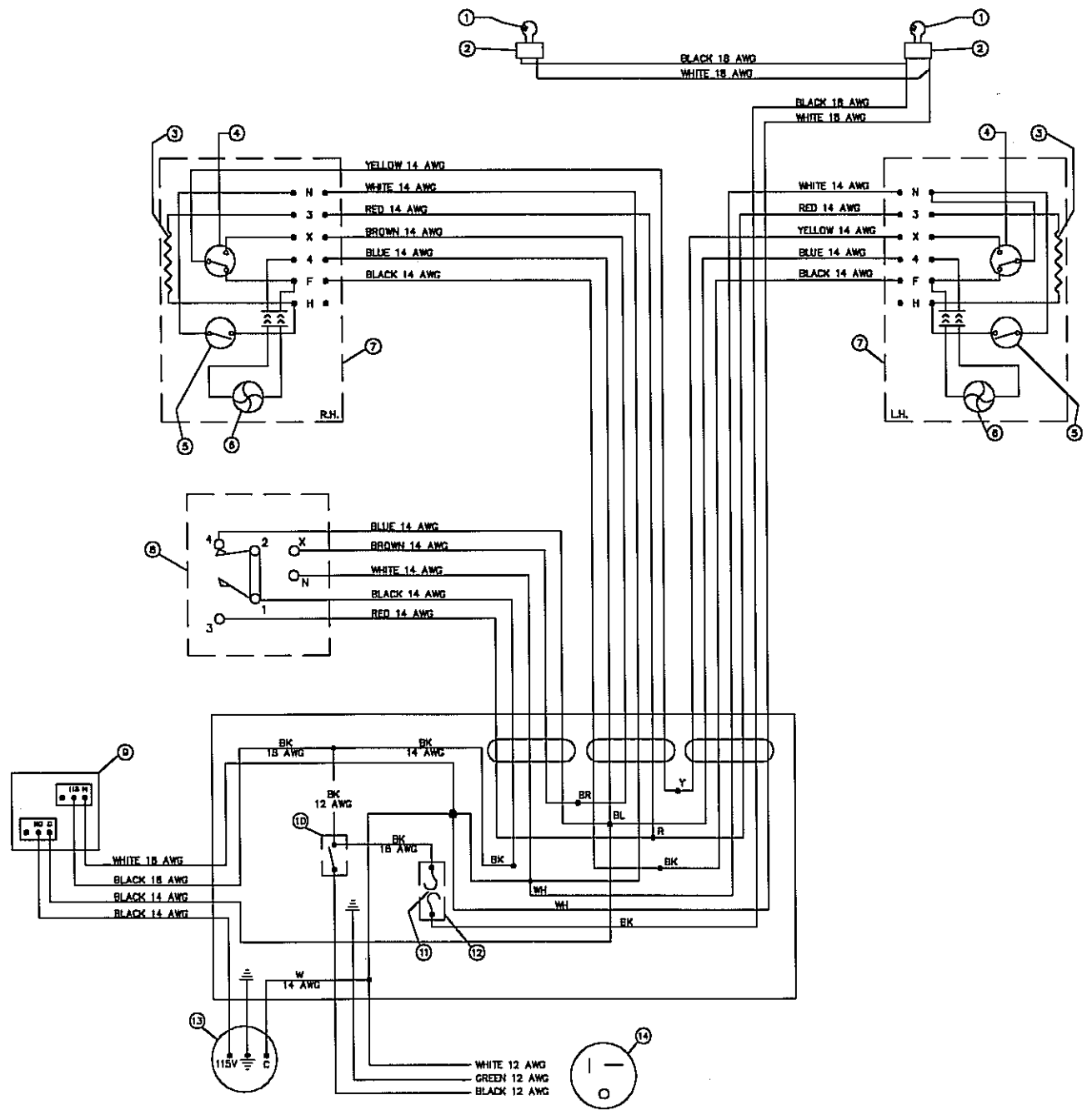


1
2
3
4
5
6
7



ELECTRICAL SCHEMATIC REFER TO PAGE 7

KEY	DESCRIPTION	PART NUMBER
1.	40 Watt Coated Bulb	401-130-078-700
2.	Lamp Socket	409-010-019-000
3.	Defrost Heater	403-130-090-700
4.	Fan Delay Switch	403-130-057-000
5.	Heater Defrost Safety Switch	403-130-036-900
6.	Fan Motor	403-130-051-800
7.	Evaporator Assembly Complete	403-130-084-300
8.	Defrost Timer	403-009-787-000
9.	Temp. Control (Electronic)	403-130-103-100
10.	20 Amp Switch	401-130-086-400
11.	1 Amp Class "G" Fuse	401-130-085-500
12.	Fuse Holder	401-130-043-700
13.	R-404 A Condensing Unit	321-80140-00
14.	Nano 5-20 P Plug	401-010-304-000

-	A	RELEASED FOR PRODUCTION	4/02	ET
ECN	SYM	DESCRIPTION	DATE	BY
Traulsen & Co.				
UNLESS OTHERWISE SPECIFIED				
TOLERANCES		FRACTIONS ± 1/32		
.XX ± .02		ANGLES ± 1/2°		
.XXX ± .005		HOLES ± .005		
PART TO BE DEBURRED OF ALL SHARP EDGES				
DRAWN BY:		CHECKED BY:		
MAT'L PART NO. -				
MAT'L DESCR. -				
NAME: WIRE DIAGRAM- PRR120VPSWE1				
PART/DWG. NO.	DASH	SHEET	REV.	
000-60284-00	00	1 OF 1	A	