



Quality Refrigeration

OWNER'S MANUAL

Instructions for the installation, operation and maintenance of Traulsen:

RMC Milk Cooler

RMC34, RMC49 & RMC58 Models



This Traulsen unit is built to our highest quality standards. We build our refrigerators and freezers this way as a matter of pride. This philosophy has made Traulsen the leader in commercial refrigeration since 1938. We thank you for your choice and confidence in Traulsen equipment and we know you will receive many years of utility from this equipment.

All Traulsen units are placed on a permanent record file with the service department. In the event of any future questions you may have, please refer to the model and serial number found on the name tag affixed to the unit. Should you need service, call us on our toll free number, 800-825-8220 between 7:30 am - 4:30 pm CST, Monday thru Friday. You may also log onto www.traulsen.com for further information. It is our pleasure to help and assist you in every possible way.

INSTALLER	
COMPLETE THE FOLLOWING INFORMATION PRIOR TO UNIT INSTALLATION	
INITIAL START DATE: _____	SERIAL NO. _____
MODEL TYPE: _____	
COMPANY/INDIVIDUAL NAME: _____	
INSTALLER: _____	

TABLE OF CONTENTS

I. THE SERIAL TAG	Page 1	VII. TROUBLE SHOOTING GUIDE	Page 5
a-Serial Tag & Location		VIII. SERVICE ASSISTANCE	
b-Reading The Serial Tag		a-Service Check List	Page 5
II. RECEIPT INSPECTION	Page 2	b-Service Information	Page 5
III. INSTALLATION		IX. WARRANTIES	Page 6
a-Location	Page 2	X. SERVICE PARTS LIST	Page 7
b-Packaging	Page 2	XI. EXPLODED VIEWS-REPLACEMENT PARTS	
c-Installing/Adjusting the Casters	Page 2	a-Cabinet Parts	Page 9
d-Cord & Plug	Page 2	b-Condenser & Compressor	Page 10
e-Power Supply	Page 2	c-Controller	Page 11
IV. OPERATION		d-Evaporator	Page 12
a-Temperature Control	Page 2	e-Front & Door	Page 13
b-Top Door Latch	Page 3	f-Top Door	Page 14
V. CARE & MAINTENANCE			
a-Cleaning The Condenser/Filter	Page 3		
b-Replacing The Door Gaskets	Page 3		
c-Cleaning The Cabinet Surface	Page 3		
VI. WIRING DIAGRAM	Page 4		

I. THE SERIAL TAG

I. a - SERIAL TAG & LOCATION:

The serial tag is a permanently affixed label on which is recorded vital electrical and refrigeration data about your Traulsen product, as well as the model and serial number. This tag is located in the left interior compartment on all standard milk cooler models.


I. b - READING THE SERIAL TAG:

- Model = The model # of your Traulsen unit
- (S/N) Serial Number = The permanent ID# of your Traulsen unit
- Refrigerant SYS1= System 1 Refrigerant type used and refrigerant charge
- Design Pressure= System 1 High and Low Pressure
- Refrigerant SYS2= System 2 Refrigerant type used and refrigerant charge
- Design Pressure= System 2 High and Low Pressure
- Volts = Voltage
- Hz = Cycle
- Total Current = Maximum amp draw
- Min Circuit Amps = Minimum circuit ampacity
- Agency Labels = Designates agency listings





This unit is listed to UL 471, CSA 120 and NSF 7 by an approved NRTL.

Consult the factory or unit data plate for approval information.

- Components = Component Ratings



ITW Food Equipment Group, LLC
 North American Refrigeration
 4401 Blue Mound Rd.
 Ft. Worth, TX 76106
 800-825-8220

MODEL:			
MODELO:			
MODELE:			
S/N:			
 <small>SCAN FOR SERVICE INFO</small>			
REFRIGERANT / REFRIGERANTE / RÉFRIGÉRANT			
SYS1 (REFM):	134A		
Hi Press. (PRESH):	300 psi	2.07 MPa	(2,07 MPa)
Lo Press. (PRESL):	150 psi	1.03 MPa	(1,03 MPa)
SYS2 (REFA):			
Hi Press. (PRESH):			
Lo Press. (PRESL):			
Input Power (ELIN) - FOR INDOOR USE ONLY			
208-230 V 60 Hz ~ 0 A (0,00 A)			
<div style="display: flex; justify-content: space-around; align-items: center;"> <div style="text-align: center;">  <small>UL LISTED COMMERCIAL REFRIGERATORS 123H</small> </div> <div style="text-align: center;">  </div> <div style="text-align: center;">  </div> </div>			
Device/Part Number:	Device/Part Notes:		
G10200			
COMPONENTS / COMPOSANTS / COMPONENTES			
COMP AMPS:		LIGHT WATTS:	
COND FAN AMPS:		CTRL AMPS:	
DEF HTR AMPS:		B/TMCE HTR AMPS:	
DOOR HTR AMPS:		MIN CIRCUIT IN AMPS:	
EVAP FAN AMPS:		MAX OVR. CURRENT PROTECTION AMPS:	

370-60297-00 REV.B 11/21/14

II. RECEIPT INSPECTION

All Traulsen products are factory tested for performance and are free from defects when shipped. The utmost care has been taken in crating this product to protect against damage in transit.

You should carefully inspect your unit for damage during delivery. If damage is detected, you should save all the crating materials and make note on the carrier's Bill Of Lading describing the damage. A freight claim should be filed immediately. If damage is subsequently noted during or immediately after installation, contact our customer care team to file a freight claim. There is a five(5) day limit to file freight damage with the carrier. Under no condition may a damaged unit be returned to Traulsen without first obtaining written permission (return authorization). You may contact Hobart/Traulsen **customer care at 800-333-7447** to request a return or file a claim.

III. INSTALLATION

III. a - LOCATION:

Select a proper location for your unit, away from extreme heat or cold.

III. b - PACKAGING:

Your Traulsen unit is shipped from the factory bolted to a sturdy wooden pallet in stretch wrapped material.

Most exterior stainless steel surfaces have a protective vinyl covering to prevent scratching during manufacturing, shipping and installation. After the unit is installed in place of application peel, remove and discard the covering from all surfaces.

To remove the wooden pallet, first if at all possible, we suggest that the cabinet remain bolted to the pallet during all transportation to the point of final installation. The bolts can then be removed with a 1/2" socket wrench. Avoid laying the unit on its back for removal of the pallet.

NOTE: Traulsen does not recommend laying the unit on its back. If you must, please allow the unit to remain in an upright position for 24 hours before plugging it in so that the compressor oils and refrigerant may settle.

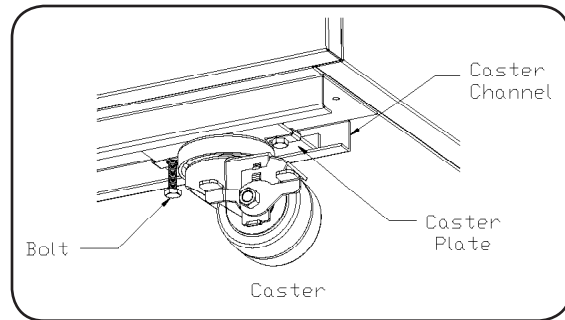
III. c - INSTALLING/ADJUSTING LEGS OR CASTERS:

Castors are installed at the factory but will require adjustment upon installation.

To adjust the legs or casters, loosen the two bolts and move leg or caster to desired location, spacing between leg or caster not to exceed 48 inches. Leg or caster on each end of the unit can not exceed 8 inches from the end of the cabinet.

III. INSTALLATION (continued)

III. c - INSTALLING/ADJUSTING LEGS OR CASTERS:



III. d - CORD & PLUG:

All self-contained models are shipped standard with a NEMA 5-15P plug and 9 foot cord. Select only a dedicated electrical outlet for power source.

NOTE: Do not under any circumstances, cut or remove the round grounding prong from the plug, or use an extension cord.

III. e - POWER SUPPLY:

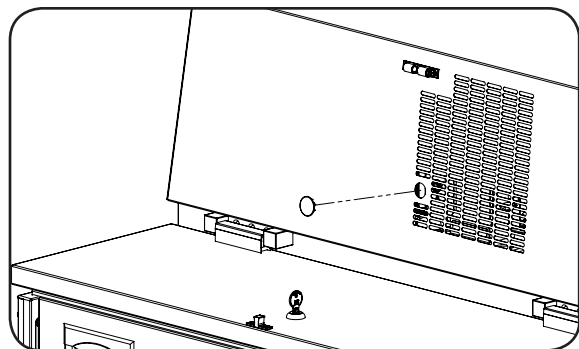
The supply voltage should be checked prior to connection to be certain that proper voltage for the cabinet wiring is available (refer to the serial tag to determine correct unit voltage, see page 1). Make connections in accordance with local electrical codes. Use qualified electricians.

Use of a separate, dedicated circuit is required. Size wiring to handle indicated load and provide necessary over current protector in circuit (see amperage requirements on the unit's serial tag).

IV. OPERATION

IV. a - TEMPERATURE CONTROL:

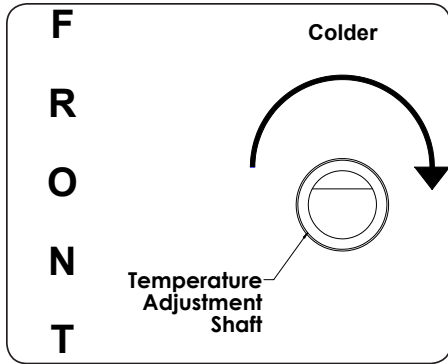
The temperature is set at the factory but local conditions may necessitate slight adjustment.



The temperature control is located behind the silver plug on the front side of the system area (dial thermometer side). To adjust, remove the plug turn the adjustment screw with a pair of pliers a small amount at a time; turning clockwise lowers the temperature. An "OFF" position is fully counterclockwise and interrupts power to the compressor and condenser fan only, not the entire refrigerator.

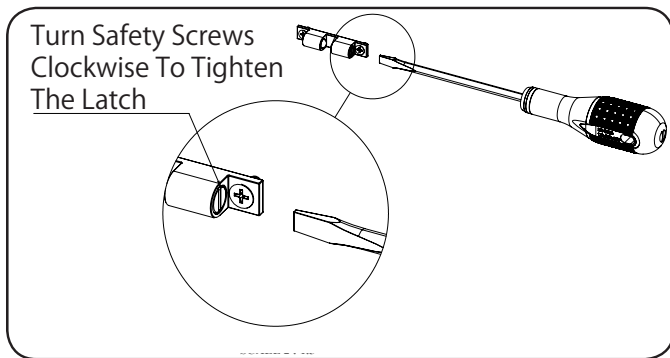
IV. OPERATION (continued)

IV. a - TEMPERATURE CONTROL: (continued)



IV. b - TOP DOOR LATCH:

To adjust the latch on the top door turn the safety screw on each side clockwise to tighten and counter-clockwise to loosen.



V. CARE & MAINTENANCE

V. a - CLEANING THE CONDENSER/FILTER:

The most important thing you can do to insure a long, reliable service life for your Traulsen is to regularly clean the condenser coil and or filter.

⚠ WARNING: DISCONNECT ELECTRICAL POWER SUPPLY BEFORE CLEANING ANY PARTS OF THE UNIT.

To clean the condenser/filter, first disconnect electrical power to the cabinet and remove the system side cover.

Proceed to vacuum or brush any dirt, lint or dust from the finned condenser coil/filter, the compressor and other cooling system parts. If significant dirt is clogging the condenser fins or filter, use compressed air to blow this clear. To replace the system side cover reverse the process.

V. b - REPLACING THE DOOR GASKETS:

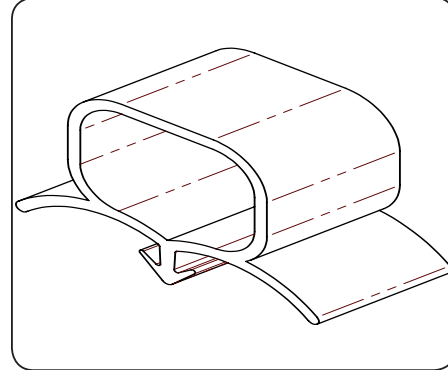
To remove the gasket to be replaced, grasp it firmly by one corner and pull it out. Before attempting to install a new gasket, both the unit and the gasket itself must be at room temperature. Insert the four corners first by using a rubber mallet (or hammer with a block of wood).

V. CARE & MAINTENANCE

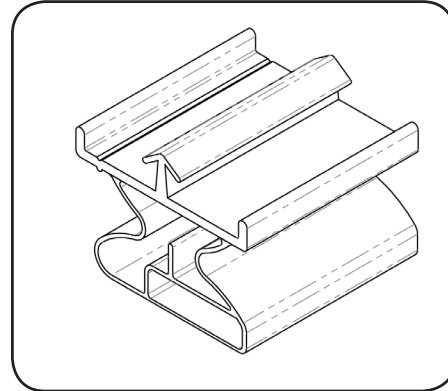
V. b - REPLACING THE DOOR GASKETS: (continued)

After the corners are properly inserted, work your way towards the center from both ends by gently hitting with a mallet until the gasket is completely seated in place (see figure below for proper gasket placement).

NOTE: The gasket may appear too large, but if it is installed as indicated above it will slip into place.



Top Door Gasket



Front Door Gasket

NOTE: System gasket attached with screw.

V. c - CLEANING THE CABINET SURFACES:

⚠ WARNING: DISCONNECT ELECTRICAL POWER SUPPLY BEFORE CLEANING ANY PARTS OF THE UNIT.

Exterior stainless steel should be cleaned with warm water, mild soap and a soft cloth. Apply with a dampened cloth and wipe in the direction of the metal grain.

Avoid the use of strong detergents and gritty, abrasive cleaners as they may tend to mar and scratch the surface. **Do NOT** use cleansers containing chlorine, such as bleach, this may promote corrosion of the stainless steel.

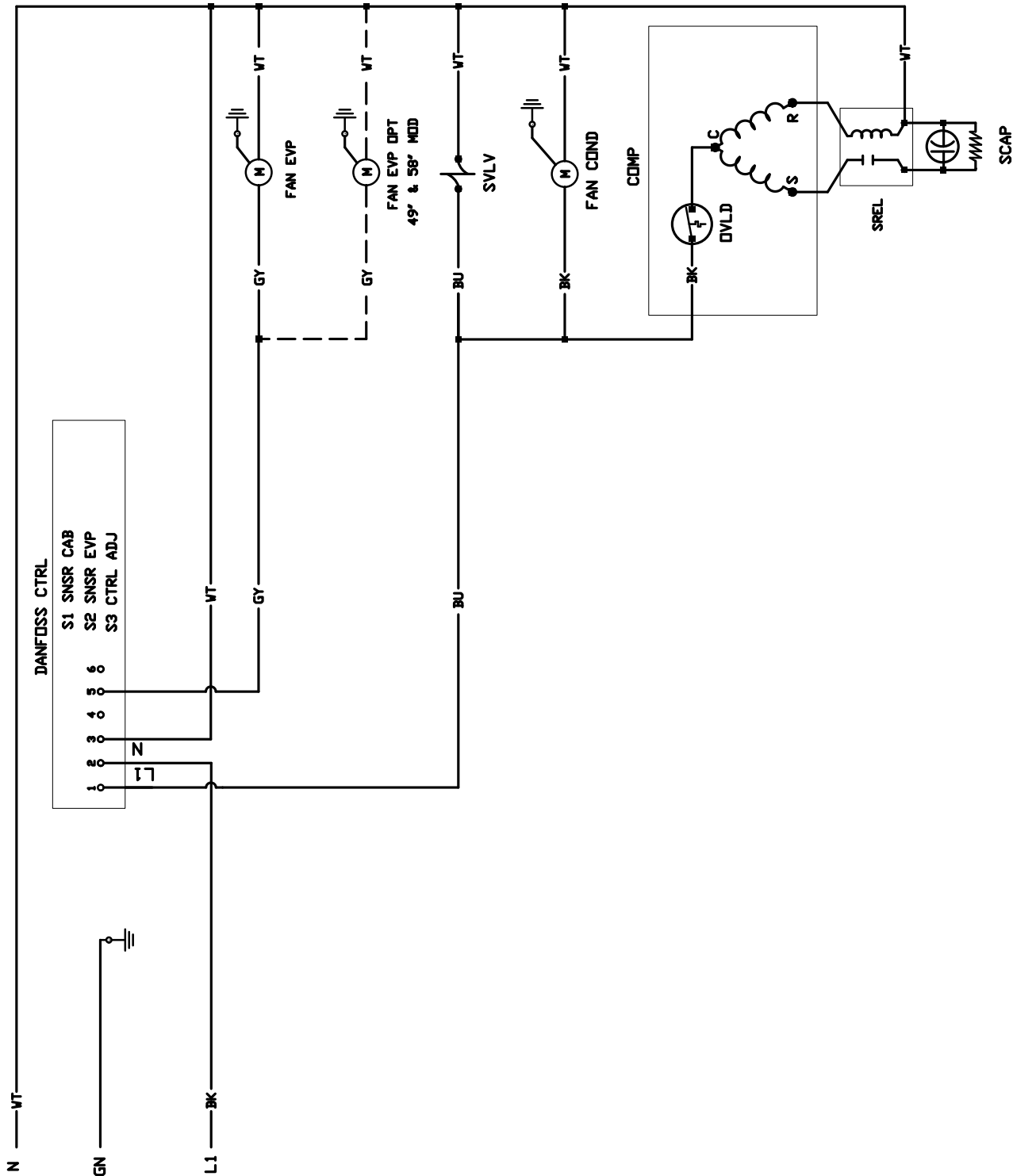
Care should also be taken to avoid splashing the unit with water, containing chlorinated cleansers, when mopping the floor around the unit.

For stubborn odor or spills, use baking soda and water (mixed to a 1 tbsp baking soda to 1 pint water ratio).

A stainless steel polish is recommended for shining of unit.

VI. WIRING DIAGRAM

NOTE: Refer to the wiring diagram below for any service work performed by a qualified technician.



379-60538-00 REV C
RMC
115VAC/60Hz/1PH

VII. TROUBLE SHOOTING GUIDE

PROBLEM	POSSIBLE SOLUTION
1. Condensing unit fails to start.	a. Check if cord & plug has been disconnected. b. Clean Condenser.
2. Condensing unit operates for prolonged periods or continuously.	a. Are doors closed properly? b. Dirty condenser or filter. Clean properly. c. Evaporator coils iced. Needs to defrost.
3. Milk compartment is too warm. (NOTE: Compressor may be cycling ON/OFF frequently)	a. Check door(s) and gasket(s) for proper seal. b. Check if a large quantity of warm milk was recently added or the door was kept open for a long period of time. c. Clean Condenser.
4. Milk compartment is too cold.	a. Check if a large quantity of very cold or frozen milk has recently been added. Allow adequate time for the cabinet to recover its normal operating temperature.
5. Condensation on exterior surface.	a. Check door(s) alignment and gaskets for proper seal. b. Condensation on the exterior surface of the unit is perfectly normal during periods of high humidity.

VIII. SERVICE ASSISTANCE

VIII. a - SERVICE CHECK LIST:

Before calling for service, please check the following:

- Is the electrical cord plugged in?
- Is the fuse OK or circuit breaker on?
- Clean condenser coil?
- Is the power switch on?

If after checking the above items and the unit is still not operating properly, please contact an authorized Traulsen service agent. A complete list of authorized service agents was provided along with your Traulsen unit. If you cannot locate this, you may also obtain the name of a service agent from the Tech Service page at traulsen.com. If service is not satisfactory, please contact our in-house service department at:

Traulsen
4401 Blue Mound Road Fort Worth, TX 76106
800.825.8220

Traulsen reserves the right to change specifications or discontinue models without notice.

VIII. b - SERVICE INFORMATION:

To purchase replacement parts or to speak to service support for Traulsen and most Hobart Refrigeration units please contact our Ft. Worth facility by phone at 800.825.8220 or fax to 817.740.6748 (parts) or 817.740.6757 (service).

To obtain other service information you may log onto:

1. traulsen.com
2. Select Service & Parts Tab (upper right of screen)
3. Select one of the following: Service Finder, Service Parts Manuals, Parts Pricing & Warranty Registration

NOTE: When calling for service support, please make sure you have model and serial number of unit available.

IX. WARRANTIES



TRAULSEN EQUIPMENT WARRANTY



U.S. Domestic Warranty

For sales of Traulsen refrigeration equipment (“Equipment”) within the United States, Traulsen warrants to the original purchaser of the Equipment (“Purchaser”) that Traulsen will convey the Equipment free and clear of all liens, security interests, and encumbrances created by, through, or under Traulsen. Traulsen further warrants that for a period of three (3) years from the later of either (a) the date of delivery to the common carrier or (b) the date of installation (the “Domestic Warranty Period”) but in no event, shall the Domestic Warranty Period commence later than 18 months from the date of delivery to the common carrier unless otherwise agreed upon by the parties in writing, under normal use and given proper installation and maintenance as determined by Traulsen, the Equipment: (a) will conform to the specifications as provided by Traulsen (“Specifications”) and (b) will be free from substantial defects in material and workmanship.

The warranty period for compressors shall extend for an additional two (2) years beyond the Domestic Warranty Period. In the case of a nonconforming compressor, Traulsen shall provide a replacement compressor; however all installation, recharging, and repair costs shall be the responsibility of Purchaser. In the case of a nonconforming part, Purchaser must return the part to Traulsen within 30 days from the date of repair. Failure to return a claimed defective part to Traulsen within the 30 days will waive the right to the warranty claim.

Additionally, Traulsen provides a lifetime warranty on the housing of cam-lift hinges and the workflow handles. In the case of a non-conforming housing for cam-lift hinge or workflow handle, Traulsen shall provide a replacement part; however Purchaser shall be responsible for any other replacement costs, including but not limited to installation and labor.

The Domestic Warranty does not apply to: (a) consumable components or ordinary wear items; (b) components that are removable without the use of tools including but not limited to gaskets, shelf pins, and light bulbs; (c) use of the Equipment components or parts not supplied by Traulsen or specified by Traulsen in the Operator’s Manual as set forth on Traulsen’s website; or (d) damage resulting from fire, water, burglary, accident, abuse, misuse, transit, acts of God, terrorism, power surges, improper installation, or repairs or installation by unauthorized third parties.

For Traulsen units purchased for use with a condenser provided by a third-party, this standard warranty will apply only to those components contained within the unit to the point of connection of the refrigeration lines leading to the third-party condenser.

In the event of a breach of the warranties set forth above (the “Domestic Warranty”), Traulsen will, at Traulsen’s option and as Purchaser’s sole remedy, repair or replace, including labor costs, any nonconforming Equipment, provided that (a) during the Warranty Period Traulsen is promptly notified in writing upon discovery of the nonconformance with a detailed explanation of any alleged deficiencies; (b) Traulsen is given a reasonable opportunity to investigate all claims; and (c) Traulsen’s examination of any alleged defective part confirms such alleged deficiencies and that the deficiencies were not caused by misuse, neglect, improper installation, unauthorized alteration or repair or improper testing. Traulsen reserves the right to, at its request, require Purchaser shall ship the alleged defective part to Traulsen for inspection and confirmation of defect. No Equipment may be returned without Traulsen’s approval.

Purchaser is solely responsible for determining if Equipment is fit for a particular purpose and suitable for Purchaser’s application. Accordingly and due to the nature and manner of Traulsen’s Equipment, Traulsen is not responsible for the results or consequences of use, misuse, or application of its Equipment.

THIS DOMESTIC WARRANTY SETS FORTH THE EXTENT OF TRAULSEN’S LIABILITY FOR SALES WITHIN THE UNITED STATES. EXCEPT AS SET FORTH ABOVE, TRAULSEN MAKES NO WARRANTY OR REPRESENTATION OF ANY KIND, EXPRESS OR IMPLIED (INCLUDING NO WARRANTY OF MERCHANTABILITY OR FITNESS FOR ANY PARTICULAR PURPOSE). IN NO EVENT WILL TRAULSEN’S LIABILITY IN CONNECTION WITH THE AGREEMENT OR SALE OF THE EQUIPMENT EXCEED THE PURCHASE PRICE OF THE EQUIPMENT AS TO WHICH THE CLAIM IS MADE. IN NO EVENT SHALL TRAULSEN BE LIABLE FOR ANY LOSS OF USE, LOSS OF PRODUCT, LOSS OF PROFIT, OR ANY OTHER INDIRECT, INCIDENTAL, SPECIAL, OR CONSEQUENTIAL DAMAGES RESULTING FROM THIS WARRANTY EVEN IF TRAULSEN HAS BEEN NOTIFIED OF THE POSSIBILITY OF SUCH DAMAGES.



TRAULSEN
4401 BLUE MOUND RD.
PHONE 1 (800) 825-8220
Website: www.traulsen.com

FT. WORTH, TX 76106
FAX-MKTG. 1 (817) 624-4302

X. SERVICE PARTS LIST

ITEM	DESCRIPTION	PART NUMBER
CASTERS		
ALL MODELS	6" ADJUSTABLE CASTER NO LOCK	SER-60538-00
	6" ADJUSTABLE CASTER WITH LOCK	SER-60538-01
	4" ADJUSTABLE CASTER NO LOCK	SER-60536-00
	4" ADJUSTABLE CASTER WITH LOCK	SER-60536-01
LEGS		
ALL MODELS	6" LEG	SER-60542-00
DOORS		
MODEL RMC34	TOP DOOR ASSEMBLY	200-61004--02
	FRONT DOOR ASSEMBLY	200-61004-03
MODEL RMC49	TOP DOOR ASSEMBLY	200-61004-00
	FRONT DOOR ASSEMBLY	200-61004-04
MODEL RMC58	TOP DOOR ASSEMBLY	200-61004-01
	FRONT DOOR ASSEMBLY	200-61004-05
MODEL RMC34	GASKET TOP DOOR	341-60267-00
MODEL RMC49	GASKET TOP DOOR	341-60267-01
MODEL RMC58	GASKET TOP DOOR	341-60267-02
MODEL RMC34	GASKET FRONT DOOR	341-60262-00
MODEL RMC49	GASKET FRONT DOOR	341-60262-01
MODEL RMC58	GASKET FRONT DOOR	341-60262-02
MODEL RMC34	GASKET SYSTEM	341-60314-01
MODEL RMC49	GASKET SYSTEM	341-60314-02
MODEL RMC58	GASKET SYSTEM	341-60314-03
ALL MODELS	DOOR CATCH	3801100
	BUMPER	358-60247-00
	DOOR SLIDE LH	560-10280-00
	DOOR SLIDE RH	560-10280-01
	PIN FRONT DOOR	358-60710-00
	HINGE	409-130-056-200
FLOOR RACKS		
ALL MODELS	FLOOR RACK 14-3/4"	701-61633-00
	MODELS RMC58	
	FLOOR RACK 8-3/4"	701-61634-00
AIR DUCT		
MODEL RMC34	AIR DUCT ASSEMBLY	600-61090-00
MODEL RMC49	AIR DUCT ASSEMBLY	600-61090-01
MODEL RMC58	AIR DUCT ASSEMBLY	600-61090-02
DRAIN		
ALL MODELS	STOPPER 1"	358-10077-00

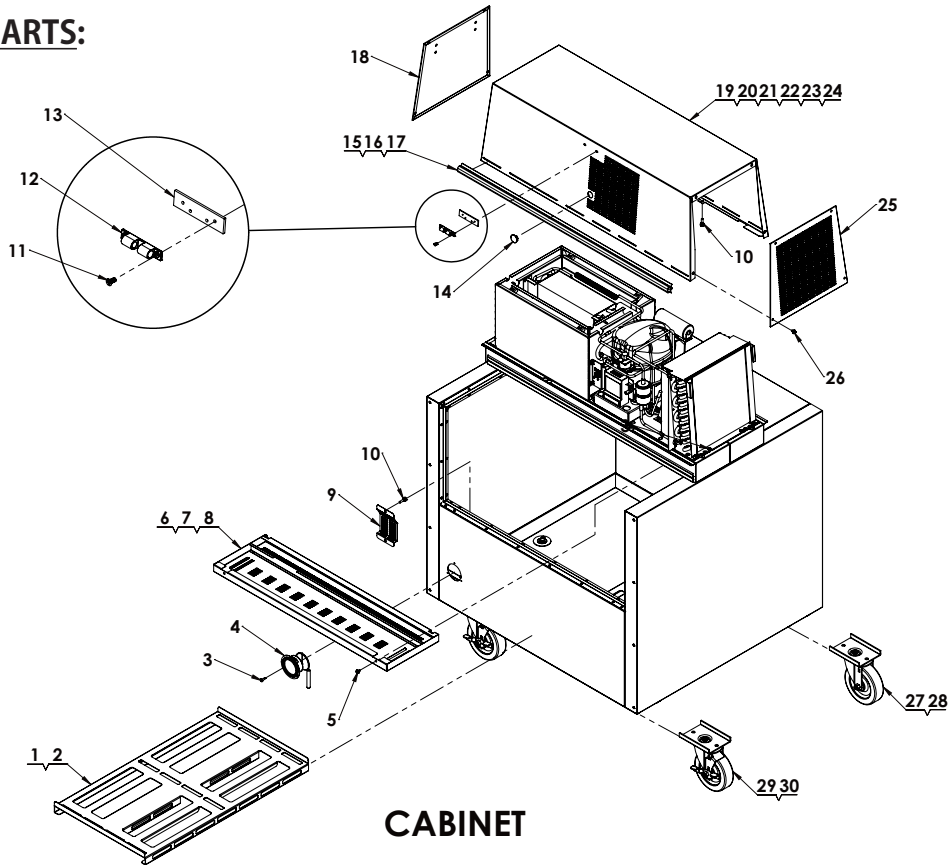
X. SERVICE PARTS LIST (continued)

ITEM	DESCRIPTION	PART NUMBER
REFRIGERATION SYSTEM		
MODEL RMC34S	REPLACEMENT REFRIGERATION SYSTEM SINGLE ACCESS	SER-60653-00
MODEL RMC34D	REPLACEMENT REFRIGERATION SYSTEM DUAL ACCESS	SER-60653-01
MODEL RMC49S	REPLACEMENT REFRIGERATION SYSTEM SINGLE ACCESS	SER-60654-00
MODEL RMC49D	REPLACEMENT REFRIGERATION SYSTEM DUAL ACCESS	SER-60654-01
MODEL RMC58S	REPLACEMENT REFRIGERATION SYSTEM SINGLE ACCESS	SER-60655-00
MODEL RMC58D	REPLACEMENT REFRIGERATION SYSTEM DUAL ACCESS	SER-60655-01
CONTROL		
ALL MODELS	MICROPROCESSOR CONTROL	337-60445-00
	MICROPROCESSOR COIL TEMPERATURE SENSOR	337-60447-00
	MICROPROCESSOR CABINET TEMPERATURE SENSOR	337-60448-00
	THERMOMETER DIAL	344-60249-01

NOTE: Part numbers listed are for standard products as currently manufactured. For products manufactured as other than standard, please contact the factory.

XI. EXPLODED VIEWS - REPLACEMENT PARTS

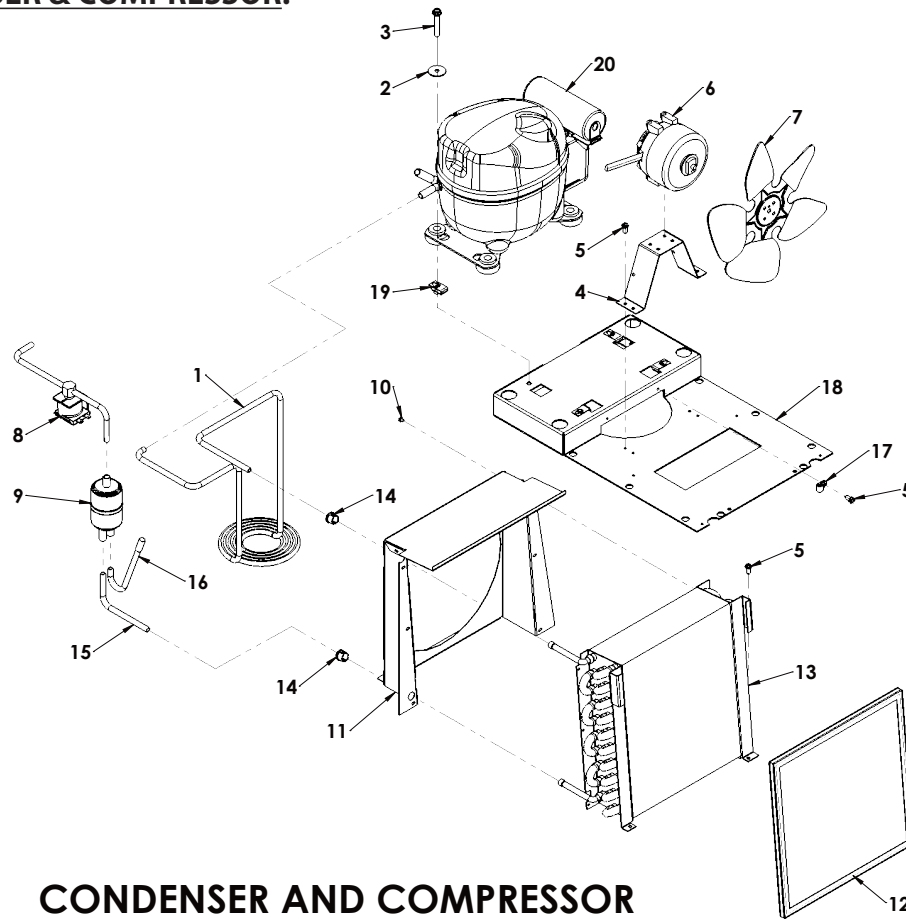
XI. a - CABINET PARTS:



ITEM NO.	PART NO.	NAME OF PART	AMT.
1	701-61633-00	Floor Rack	AR
2	701-61634-00	Floor Rack RMC58	1
3	351-60003-02	Screw 8-18 X .500" Self Drilling Phil. Pan Hd.	AR
4	344-60249-01	Thermometer - Dial	1
5	351-60045-00	SCREW,MACH 10-32 X 1/2 & SQ CONE WASHER, SS	AR
6	600-61090-00	Duct - Air RMC34	1
7	600-61090-01	Duct - Air RMC49	1
8	600-61090-02	Duct - Air RMC58	1
9	510-10571-00	Bracket - Sensor Guard	1
10	351-15822-04	Thumb Screw 10-32 x .500" w/Collar	2
11	351-60002-09	Mach. Screw 8-32 x .375" Phil. Flat Hd.	AR
12	3801100	Door Catch	AR
13	358-60095-00	Tapping Plate - Door Catch	AR
14	353-60015-00	Plug - 25/32" Nickel Plated	1
15	341-60314-01	Gasket Snap-on RMC34	AR
16	341-60314-02	Gasket Snap-on RMC49	AR
17	341-60314-03	Gasket Snap-on RMC58	AR
18	701-61646-01	Side Cover - Hump End	1
19	SER-60656-00	Cover - Refrigeration System RMC34S	1
20	SER-60656-01	Cover - Refrigeration System RMC34D	1
21	SER-60657-00	Cover - Refrigeration System RMC49S	1
22	SER-60657-01	Cover - Refrigeration System RMC49D	1
23	SER-60658-00	Cover - Refrigeration System RMC58S	1
24	SER-60658-01	Cover - Refrigeration System RMC58D	1
25	701-61646-00	Side Cover - Condenser End	1
26	351-60045-00	Mach. Screw 10-32 X .500" SS Phi. Pan Hd. w/Washer	8
27-28	(27) SER-60536-00 - (28) SER-60538-00	(27) Caster - Adjustable 4" - (28) Adjustable 6" (No Lock)	AR
29-30	(29) SER-60536-01 - (30) SER-60538-01	(29) Caster - Adjustable 4" - (30) Adjustable 6" (With Lock)	AR

XI. EXPLODED VIEWS - REPLACEMENT PARTS (continued)

XI. b - CONDENSER & COMPRESSOR:

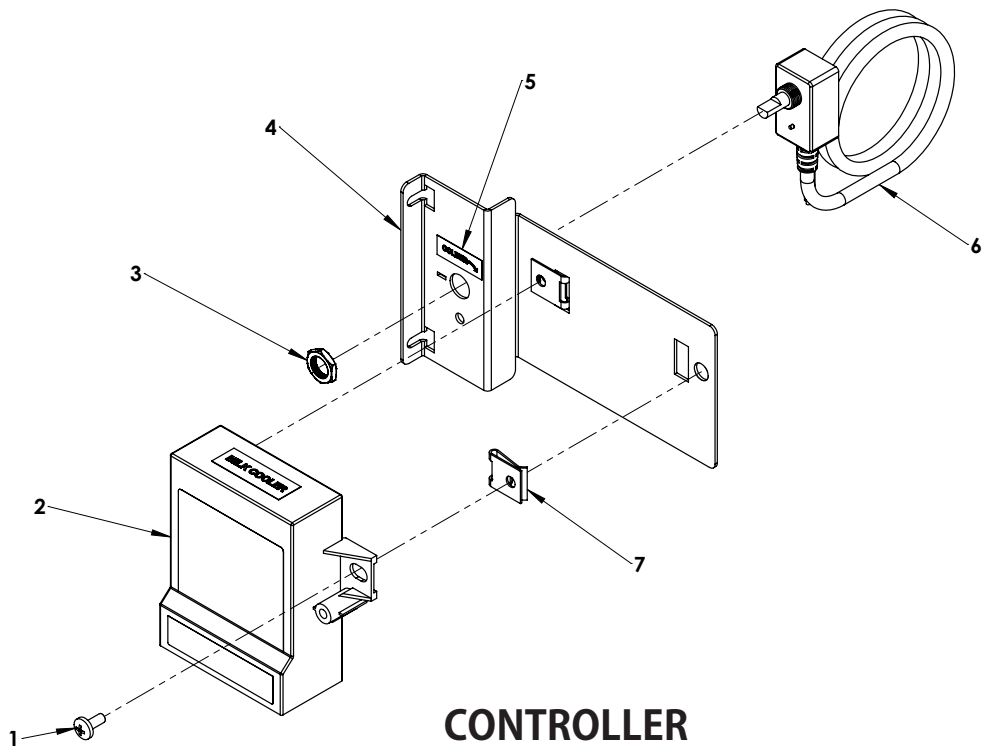


CONDENSER AND COMPRESSOR

ITEM NO.	PART NO.	NAME OF PART	AMT.
1	315-10192-00	Tubing (Hot Gas Condensate Coil) (1/4" O.D.)	1
2	355-60021-00	Washer	4
3	351-25542-09	Mach. Screw 1/4-20 X 1.500" Hex Washer Hd.	4
4	510-10461-00	Bracket - Condenser Fan Motor	1
5	351-60003-02	Screw 8-18 X .500" Self Drilling Phil. Pan Hd.	10
6	338-60049-00	Motor	1
7	325-60088-00	Blade - Fan (8.75 Inch DIA)	1
8	325-60108-00	Solenoid Valve	1
9	325-60103-00	Drier	1
10	358-10000-00	Rivet 1/8"	8
11	701-61617-00	Panel - Condenser Fan	1
12	341-60062-09	Air Filter	1
13	322-60075-00	Condenser - Coil Fin	1
14	334-12213-04	Bushing - Snap	2
15	315-10068-00	Tubing (Condenser to Drier) (1/4" O.D.)	1
16	315-10002-06	Tubing (Process) (1/4" O.D.)	1
17	353-27847-07	Clamp - Cable	2
18	701-61803-00	Base - Condenser System	1
19	356-60034-00	Nut - Clip	4
20	321-60205-10	Compressor	1

XI. EXPLODED VIEWS - REPLACEMENT PARTS (continued)

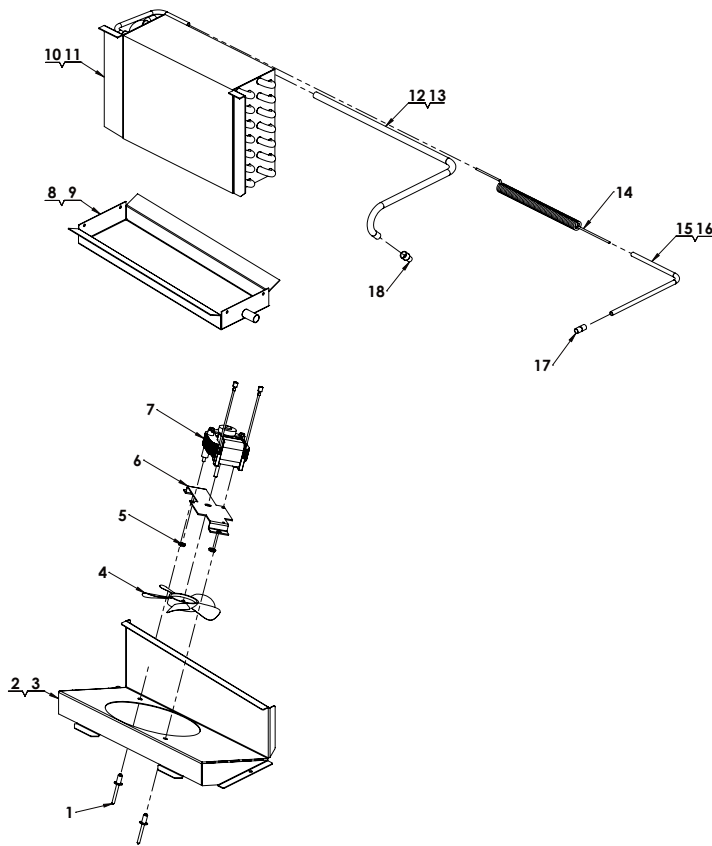
XI. c - CONTROLLER:



ITEM NO.	PART NO.	NAME OF PART	AMT.
1	351-60090-00	Screw 10-16 x 3/8" Type B	2
2	337-60467-01	Control	1
3	356-60045-00	Nut - Spindle Mount	1
4	510-10565-00	Bracket - Control Mount	1
5	370-60519-00	Label Control Adjustment	1
6	337-60446-00	Spindle - Remote Control	1
7	356-27196-00	T-Nut 250 Ultra	2
Not Shown	333-60469-00	Harness - System	1
Not Shown	337-60447-00	Sensor - Defrost Temperature	1
Not Shown	337-60448-00	Sensor - Cabinet Temperature	1

XI. EXPLODED VIEWS - REPLACEMENT PARTS (continued)

XI. d - EVAPORATOR:

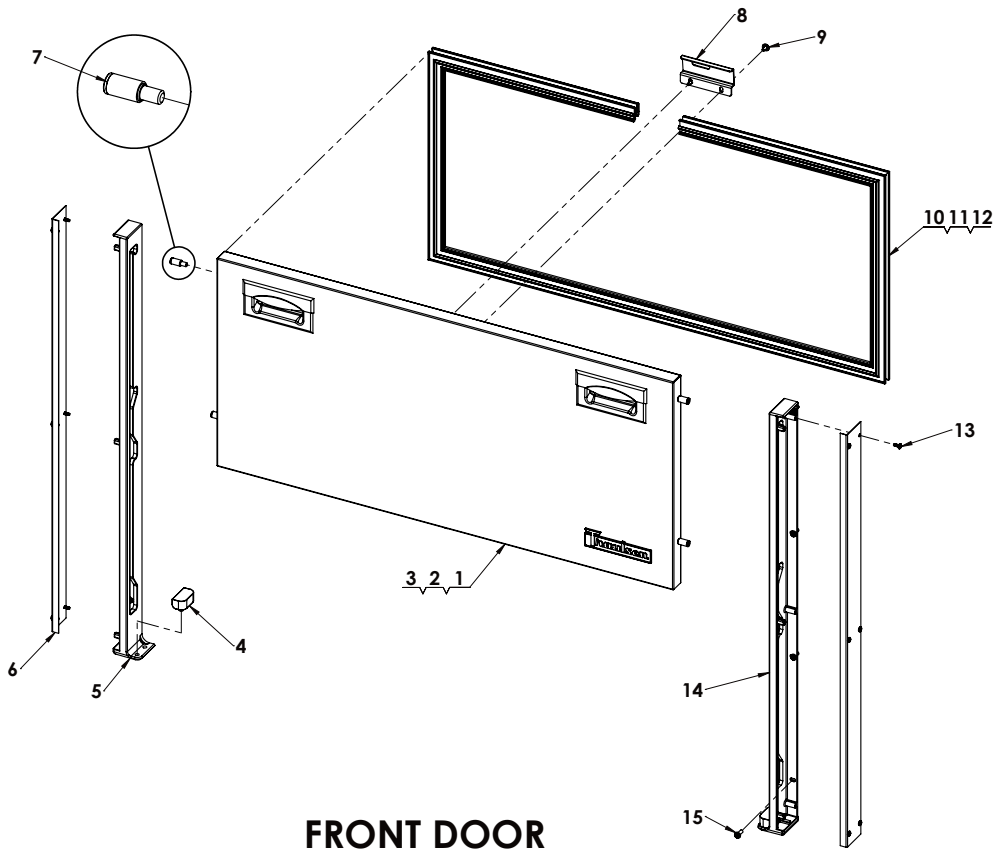


EVAPORATOR

ITEM NO.	PART NO.	NAME OF PART	AMT.
1	358-10003-00	Rivet 1/4"	AR
2	614-60367-00	Panel-Evaporator Single Fan RMC34	1
3	614-60370-00	Panel-Evaporator Dual Fan RMC49 & RMC58	1
4	325-60240-10	Blade - Fan (Plastic)	AR
5	356-60017-02	Nut - with Lock Washer	AR
6	701-61223-00	Bracket - Evaporator Fan Motor	AR
7	338-60054-00	Motor - Fan	AR
8	176-28052-00	Pan Assy. - Drip RMC34	1
9	176-28053-00	Pan Assy. - Drip RMC49 & RMC58	1
10	322-60073-00	Evaporator - Coil Fin RMC34	1
11	322-60074-00	Evaporator - Coil Fin RMC49 & RMC58	1
12	315-10070-00	Tubing (Suction Line) (3/8" O.D.) RMC34 & RMC49	1
13	315-10074-00	Tubing (Suction Line) (3/8" O.D.) RMC58	1
14	315-10071-00	Tubing (Capillary) (.049" DIA X 8' Long)	1
15	315-10069-00	Tubing (Solenoid Valve to Capillary Tube) (1/4" O.D.) RMC34 & RMC49	1
16	315-10073-00	Tubing (Solenoid Valve to Capillary Tube) (1/4" O.D.) RMC58	1
17	358-13086-03	Coupling (1/4" O.D.)	1
18	358-60420-00	Coupling - Reducer (3/8" O.D. to 1/4" O.D.)	1

XI. EXPLODED VIEWS - REPLACEMENT PARTS (continued)

XI. e - FRONT DOOR:

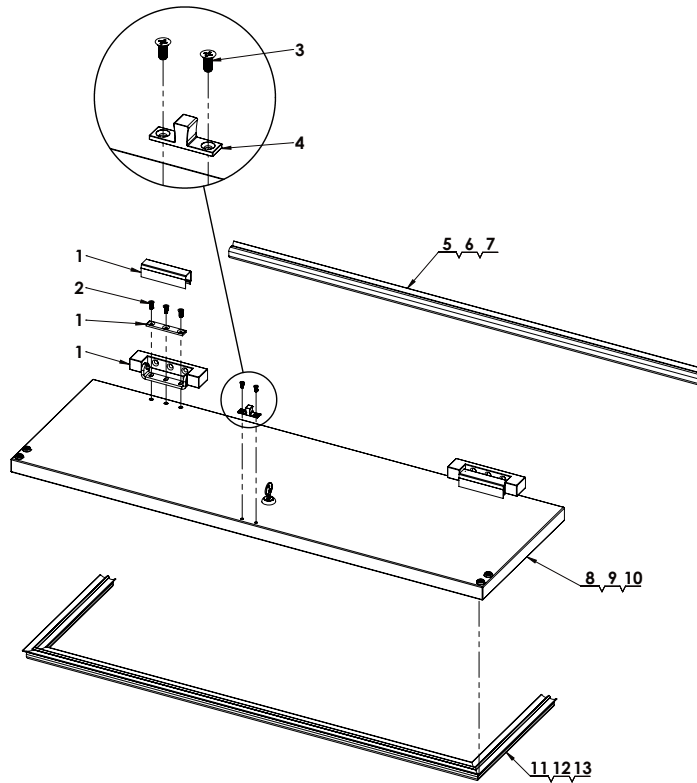


FRONT DOOR

ITEM NO.	PART NO.	NAME OF PART	AMT.
1	200-61004-03	Front Door Assy. RMC34	1
2	200-61004-04	Front Door Assy. RMC49	1
3	200-61004-05	Front Door Assy. RMC58	1
4	358-60247-00	Bumper	2
5	560-10280-00	Slide - LH	1
6	701-61665-00	Cover - Slide	2
7	SER-60620-00	Pin Assy.	4
8	510-10558-00	Lock Keeper	1
9	351-60045-00	Mach. Screw 10-32 X .500" SS Phil. Pan Hd. w/Washer	2
10	341-60262-00	Gasket - Snap RMC34	1
11	341-60262-01	Gasket - Snap RMC49	1
12	341-60262-02	Gasket - Snap RMC58	1
13	351-60077-00	SCREW, TAPPING, TYPE B 8-18X3.75	12
14	560-10280-01	Slide - RH	1
15	351-60001-24	Mach. Screw 10-32 X .500" SS Phil. Pan Hd. w/Epoxy	8

XI. EXPLODED VIEWS - REPLACEMENT PARTS

XI. f - TOP DOOR:



TOP DOOR

ITEM NO.	PART NO.	NAME OF PART	AMT.
1	409-130-056-200	Hinge Assy.	2
2	351-60002-01	Mach. Screw 10-32 X .500" Phil. Flat Hd.	6
3	351-60002-09	Mach. Screw 8-32 X .375" Phil. Flat Hd.	2
4	3801100	Door Catch	1
5	341-60314-01	Gasket - Snap on RMC34	1
6	341-60314-02	Gasket - Snap on RMC49	1
7	341-60314-03	Gasket - Snap on RMC58	1
8	200-61004-02	Top Door Assy. RMC49	1
9	200-61004-00	Top Door Assy. RMC34	1
10	200-61004-01	Top Door Assy. RMC58	1
11	341-60267-00	Gasket - Snap RMC34	1
12	341-60267-01	Gasket - Snap RMC49	1
13	341-60267-02	Gasket - Snap RMC58	1

HOURS OF OPERATION:
Monday thru Friday 7:30 am - 4:30 pm CST



Quality Refrigeration

Traulsen
4401 Blue Mound Road Fort Worth, TX 76106
Phone 800.825.8220 Fax 817.740.6757
traulsen.com