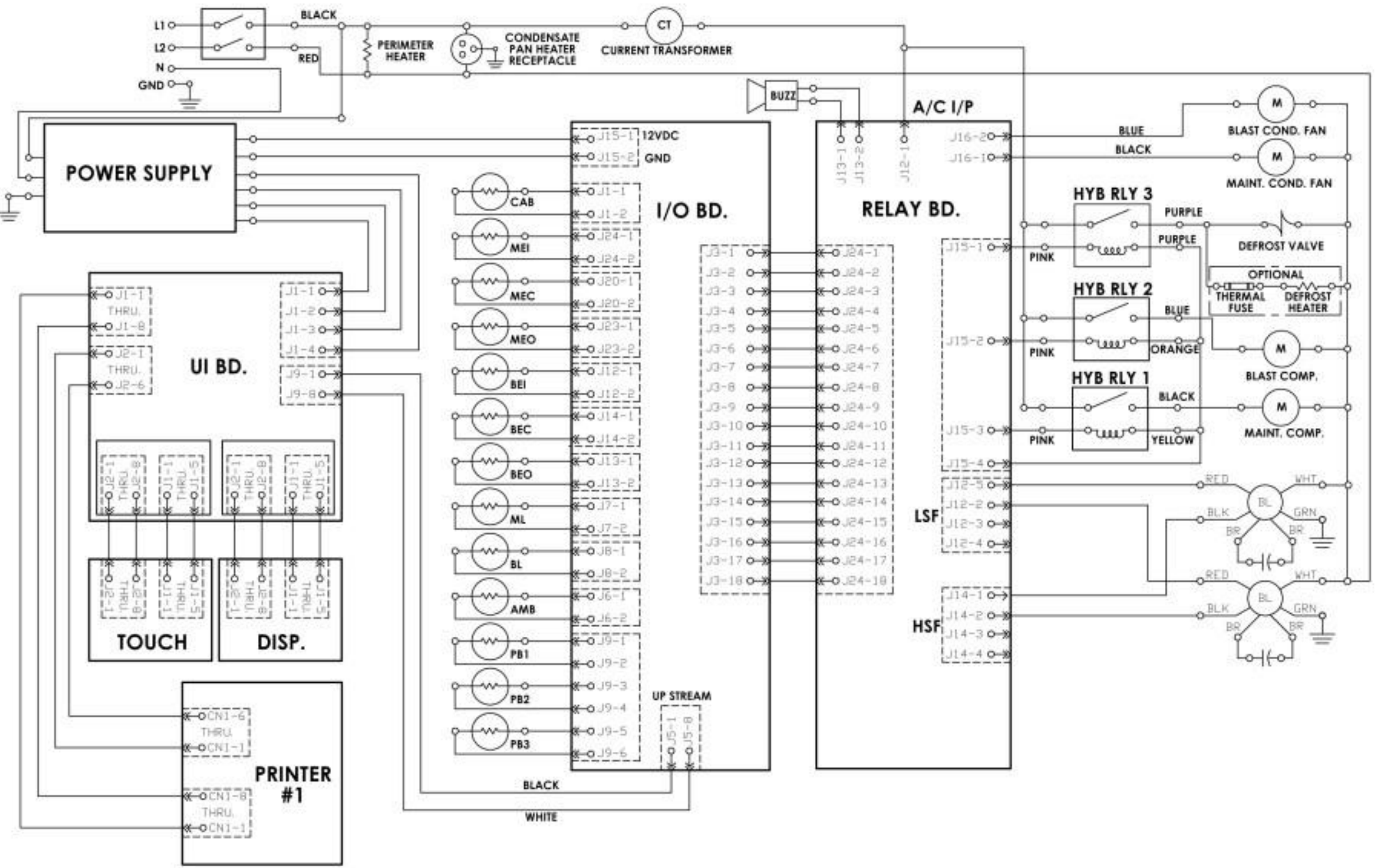
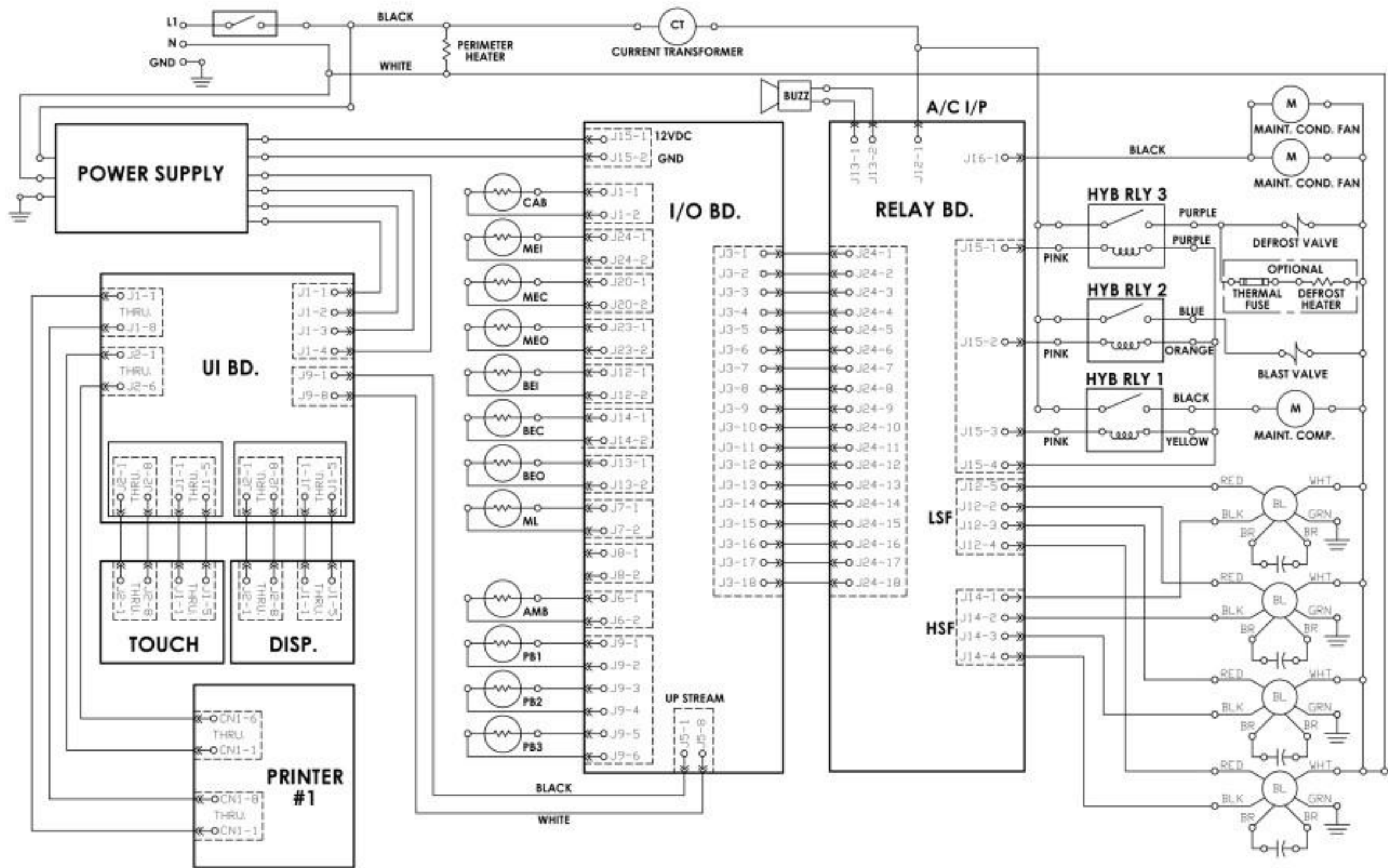


NOTE:
1. PRINTER #2 IS OPTIONAL.





NOTE:
1. PRINTER #2 IS OPTIONAL.