

CAUTION!
PLEASE KEEP POWER
SWITCH ON BEFORE
OPERATING THIS EQUIPMENT

Underbar Equipment Service Manual

Please read this manual completely before attempting to install or operate this equipment!

BEER DISPENSERS

TBD-1SD / TBD-2SD / TBD-3SD / TBD-4SD

TBD-1SB / TBD-2SB / TBD-3SB / TBD-4SB

CLUB TOP BEER DISPENSERS

TCB-2SD / TCB-3SD / TCB-4SD

TCB-2SB / TCB-3SB / TCB-4SB

BACK BAR

TBB-1SB / TBB-2SB / TBB-3SB / TBB-4SB

TBB-2SG / TBB-3SG / TBB-4SG

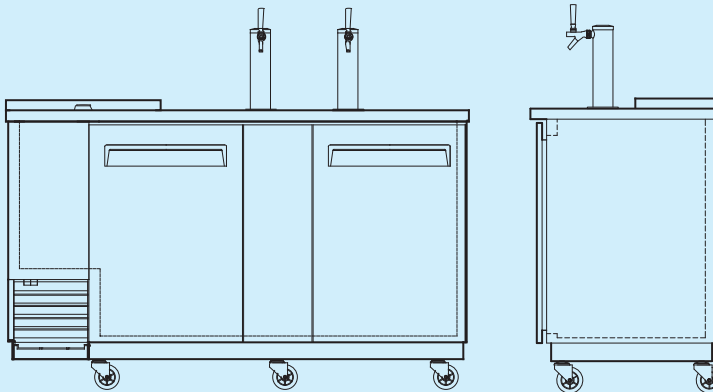


TABLE OF CONTENTS

1. FEATURE CHART

- 1-1. Direct Draw Beer Dispensers
- 1-2. Back-Bar Coolers
- 1-3. Club-Top & Direct Draw Beer Dispensers

2. WIRING DIAGRAM

- 2-1. TBD & TCB Model
- 2-2. TBB Model

3. PART DETAILS

- 3-1. DOORS
- 3-2. REFRIGERATION COMPARTMENT
- 3-3. COOLING COMPARTMENT

4. MAIN COMPONENTS

- 4-1. COMPRESSOR
- 4-2. COMPRESSOR RELAY & OVERLOAD PROTECTOR
- 4-3. COMPRESSOR CAPACITOR
- 4-4. EVA FAN MOTOR
- 4-5. CONDENSER FAN MOTOR
- 4-6. MAIN PCB
- 4-7. PCB TRANSFORMER
- 4-8. LAMP & BALLAST
- 4-9. DEFROST HEATER

5. TEMPERATURE CONTROL INSTRUCTION

- 5-1. HOW TO USER THE TEMPERATURE CONTROL
- 5-2. FUCTION TABLE

6. PARTS LIST

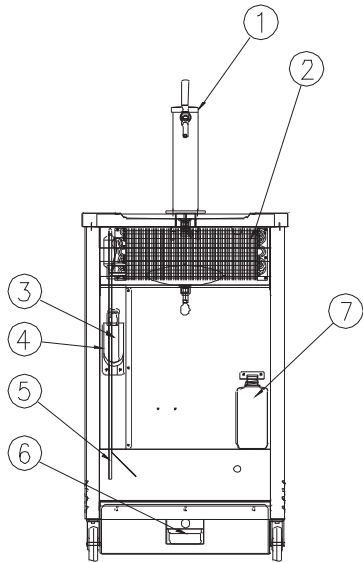
7. REPLACEMENT OF MAIN COMPONENTS

- 7-1. REPLACING DOOR
- 7-2. REFRIGERATION COMPARTMENT'S PARTS
- 7-3. COMPRESSOR COMPARTMENT PARTS

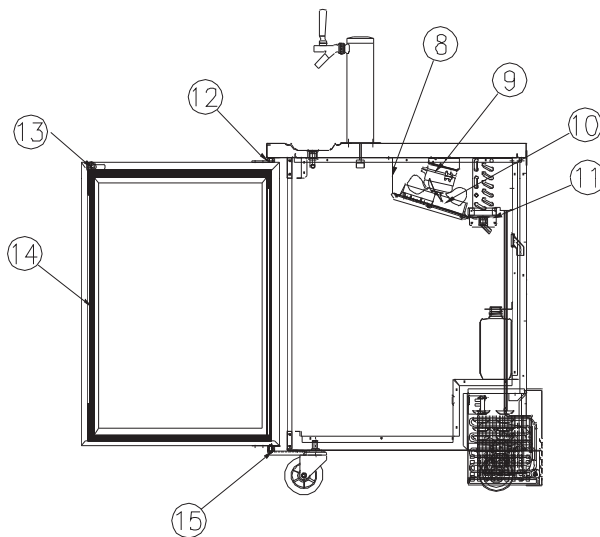
1. FEATURE CHART

1-1. FRONT VIEW and SIDE VIEW(TBD-1SD/SB)

FRONT VIEW



SIDE VIEW

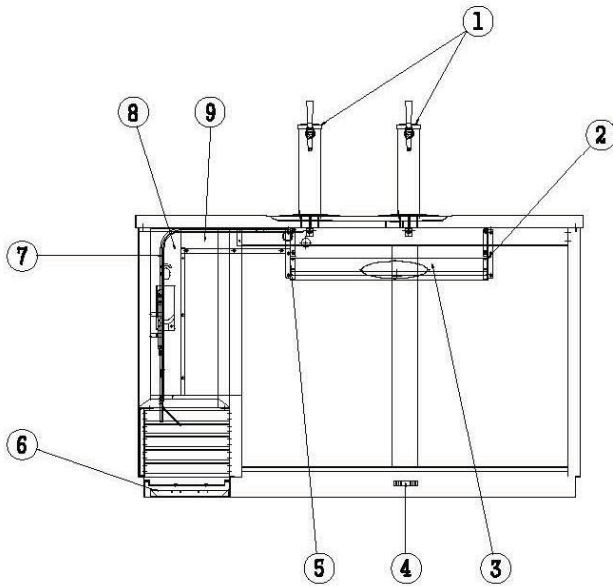


- 1 DRAFT STANDARD ASSY
- 2 EVAPORATOR HOUSING
- 3 LAMP
- 4 LAMP SHIELD
- 5 SUCTION LINE ASSEMBLY(A)
- 6 CONDENSATE DRAIN PAN
- 7 DRAFT DRAIN BOTTLE
- 8 EVAPORATOR HOUSING
- 9 EVA. FAN MOTOR ASSY
- 10 EVA. FAN MOTOR GUARD
- 11 EVAPORATOR DRAIN PAN
- 12 TOP HINGE ASSEMBLY
- 13 DOOR LOCK ASSY
- 14 DOOR GASKET
- 15 BOTTOM HINGE ASSEMBLY

FEATURE CHART

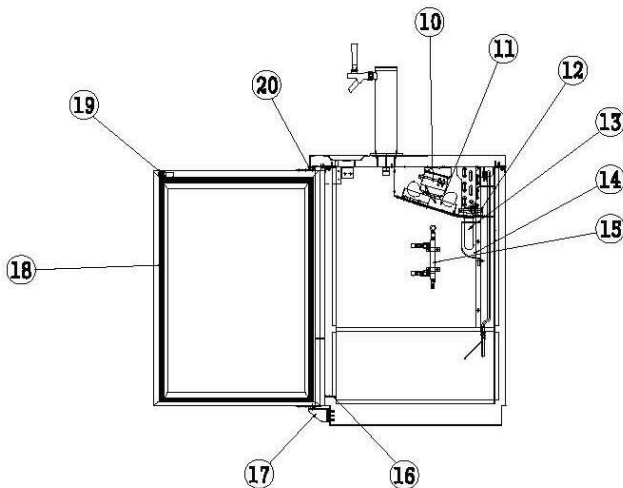
1-2. FRONT VIEW and SIDE VIEW(TBD-2SD/SB)

FRONT VIEW



- 1 DRAFT STANDARD ASSY
- 2 EVAPORATOR HOUSING GUIDE*R
- 3 EVAPORATOR HOUSING
- 4 DRAIN LINE
- 5 EVAPORATOR HOUSING GUIDE*L
- 6 CONDENSATE DRAIN PAN
- 7 SUCTION LINE ASSEMBLY(A)
- 8 SUCTION LINE COVER(A)
- 9 SUCTION LINE COVER(B)

SIDE VIEW

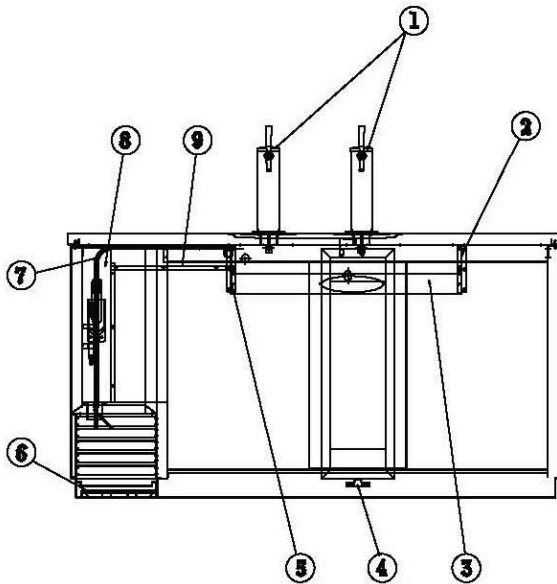


- 10 EVA. FAN MOTOR ASSY
- 11 EVA. FAN MOTOR GUARD
- 12 EVAPORATOR DRAIN PAN(B)
- 13 LAMP
- 14 LAMP SHIELD
- 15 DRAFT AIR DISTRIBUTOR
- 16 FRAME COVER BRACKET
- 17 BOTTOM HINGE ASSEMBLY
- 18 DOOR GASKET
- 19 DOOR LOCK ASSY
- 20 TOP HINGE ASSEMBLY

FEATURE CHART

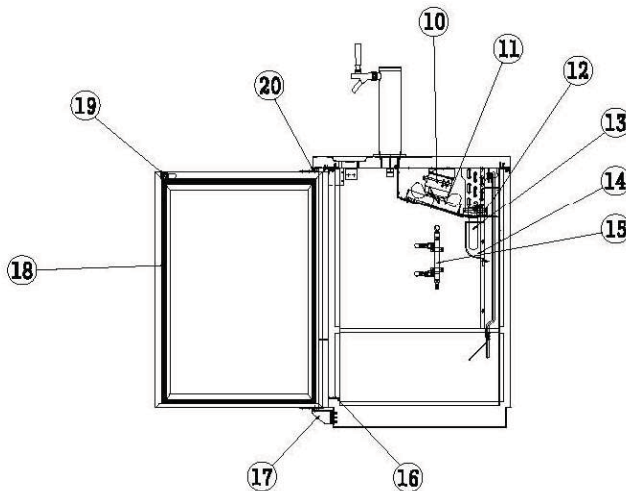
1-3. FRONT VIEW and SIDE VIEW(TBD-3SD/SB)

FRONT VIEW



- 1 DRAFT STANDARD ASSY
- 2 EVAPORATOR HOUSING GUIDE*R
- 3 EVAPORATOR HOUSING
- 4 DRAIN LINE
- 5 EVAPORATOR HOUSING GUIDE*L
- 6 CONDENSATE DRAIN PAN
- 7 SUCTION LINE ASSEMBLY(A)
- 8 SUCTION LINE COVER(A)
- 9 SUCTION LINE COVER(B)
- 10 EVA. FAN MOTOR ASSY
- 11 EVA. FAN MOTOR GUARD
- 12 EVAPORATOR DRAIN PAN(B)
- 13 LAMP
- 14 LAMP SHIELD
- 15 DRAFT AIR DISTRIBUTOR
- 16 FRAME COVER BRACKET
- 17 BOTTOM HINGE ASSEMBLY
- 18 DOOR GASKET
- 19 DOOR LOCK ASSY
- 20 TOP HINGE ASSEMBLY

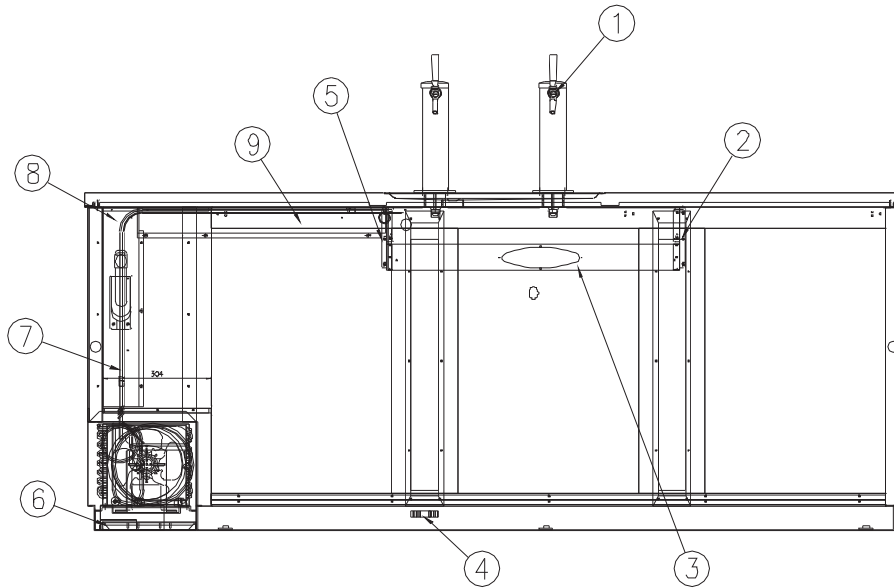
SIDE VIEW



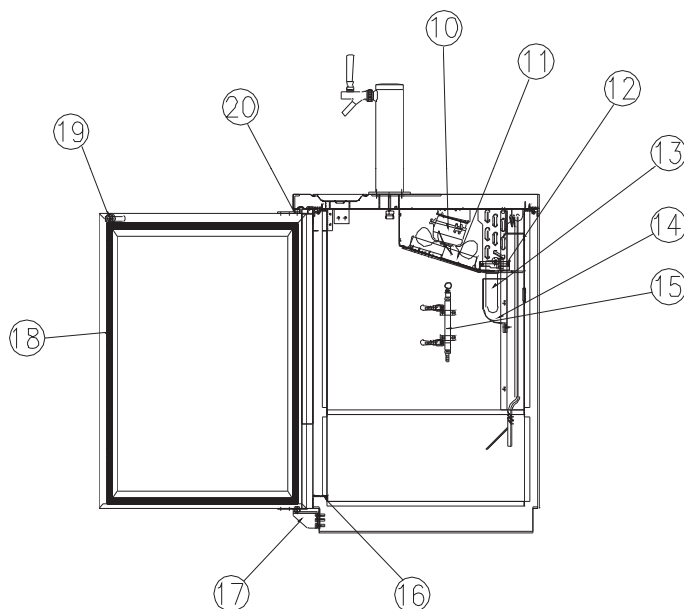
FEATURE CHART

1-4. FRONT VIEW and SIDE VIEW(TBD-4SD/SB)

FRONT VIEW



SIDE VIEW

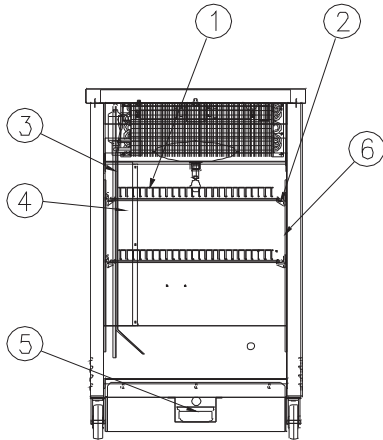


- 1 DRAFT STANDARD ASSY
- 2 EVAPORATOR HOUSING GUIDE *R
- 3 EVAPORATOR HOUSING
- 4 DRAIN LINE
- 5 EVAPORATOR HOUSING GUIDE *L
- 6 CONDENSATE DRAIN PAN
- 7 SUCTION LINE ASSEMBLY(A)
- 8 SUCTION LINE COVER(A)
- 9 SUCTION LINE COVER(B)
- 10 EVA. FAN MOTOR ASSY
- 11 EVA. FAN MOTOR GUARD
- 12 EVAPORATOR DRAIN PAN(B)
- 13 LAMP
- 14 LAMP SHIELD
- 15 DRAFT AIR DISTRIBUTOR
- 16 FRAME COVER BRACKET
- 17 BOTTOM HINGE ASSEMBLY
- 18 DOOR GASKET
- 19 DOOR LOCK ASSY
- 20 TOP HINGE ASSEMBLY

FEATURE CHART

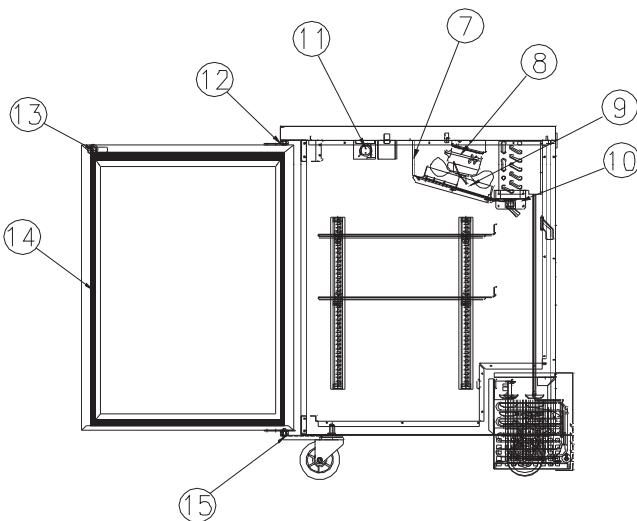
1-5. FRONT VIEW and SIDE VIEW(TBB-1SB)

FRONT VIEW



- 1 SHELF
- 2 SHELF STANDARD
- 3 SUCTION LINE ASSEMBLY(A)
- 4 SUCTION LINE COVER
- 5 CONDENSATE DRAIN PAN
- 6 SHELF STANDARD (CENTER)
- 7 EVAPORATOR HOUSING
- 8 EVA. MOTOR ASSY
- 9 EVA. FAN MOTOR GUARD
- 10 EVAPORATOR DRAIN PAN
- 11 LAMP
- 12 TOP HINGE ASSEMBLY
- 13 DOOR LOCK ASSY
- 14 DOOR GASKET
- 15 BOTTOM HINGE ASSEMBLY

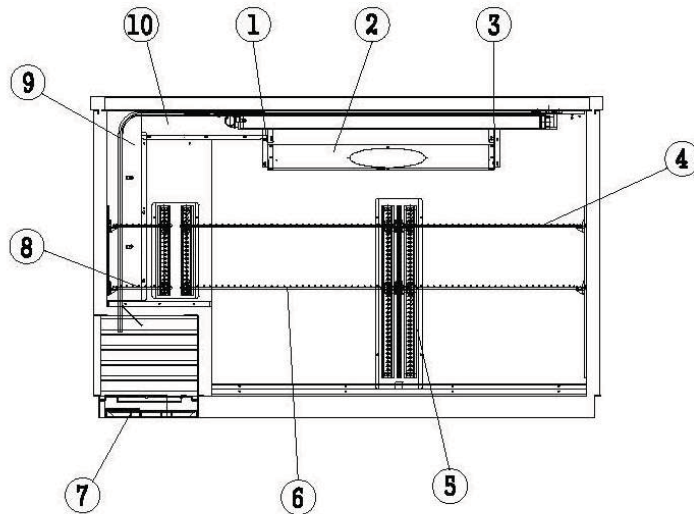
SIDE VIEW



FEATURE CHART

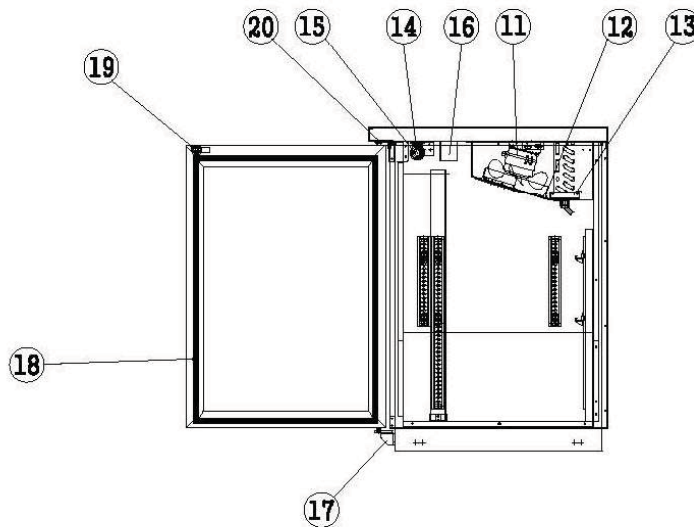
1-6. FRONT VIEW and SIDE VIEW(TBB-2SB)

FRONT VIEW



- 1 EVAPORATOR HOUSING GUIDE*L
- 2 EVAPORATOR HOUSING GUIDE*R
- 3 EVAPORATOR HOUSING GUIDE*R
- 4 SHELF*RIGHT (2SB/SG TYPE)
- 5 SHELF STANDARD ASSY
- 6 SHELF*LEFT (2SB/SG TYPE)
- 7 DRAIN CASE
- 8 SHELF STANDARD(SIDE) ASSY
- 9 SUCTION LINE COVER(A)
- 10 SUCTION LINE COVER(B)

SIDE VIEW

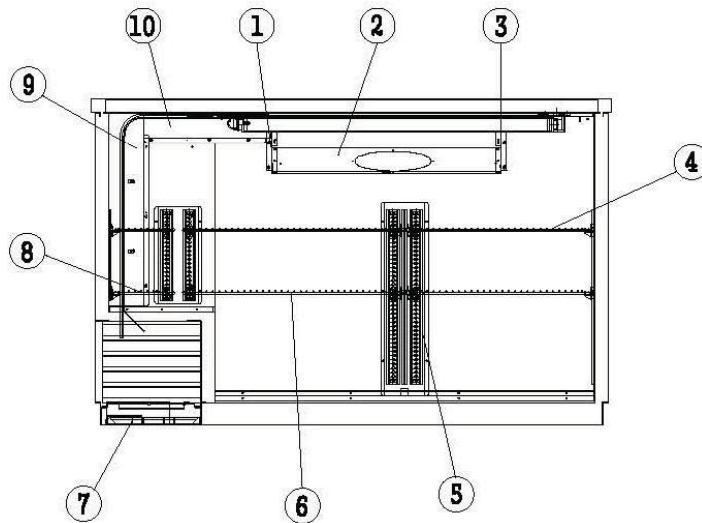


- 11 EVA. FAN MOTOR ASSY
- 12 EVA. FAN MOTOR GUARD
- 13 EVAPORATOR DRAIN PAN
- 14 LAMP
- 15 LAMP SHIELD
- 16 COVER LAMP CONNECTOR
- 17 BOTTOM HINGE ASSEMBLY (SOLID DOOR TYPE)
- 18 DOOR GASKET
- 19 DOOR LOCK ASSY
- 20 TOP HINGE ASSEMBLY (SOLID DOOR TYPE)

FEATURE CHART

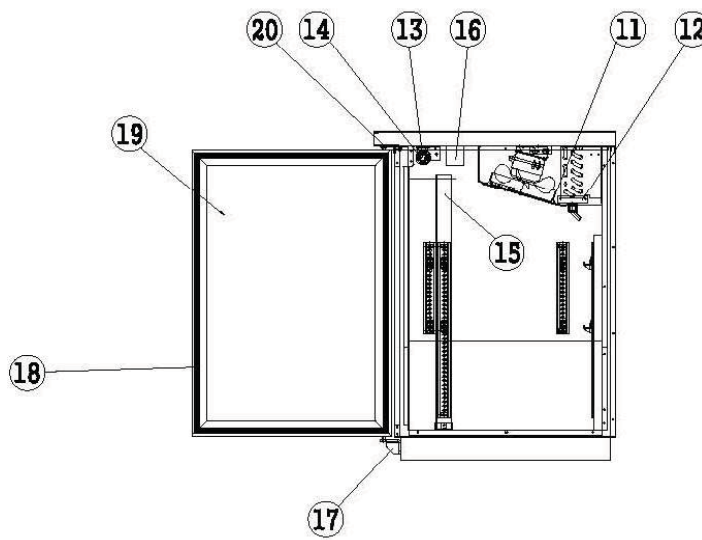
1-7. FRONT VIEW and SIDE VIEW(TBB-2SG)

FRONT VIEW



- 1 EVAPORATOR HOUSING GUIDE*L
- 2 EVAPORATOR HOUSING GUIDE*R
- 3 EVAPORATOR HOUSING GUIDE*R
- 4 SHELF*RIGHT(2SB/SG TYPE)
- 5 SHELF STANDARD ASSY
- 6 SHELF*LEFT(2SB/SG TYPE)
- 7 DRAIN CASE
- 8 SHELF STANDARD(SIDE) ASSY
- 9 SUCTION LINE COVER(A)
- 10 SUCTION LINE COVER(B)

SIDE VIEW

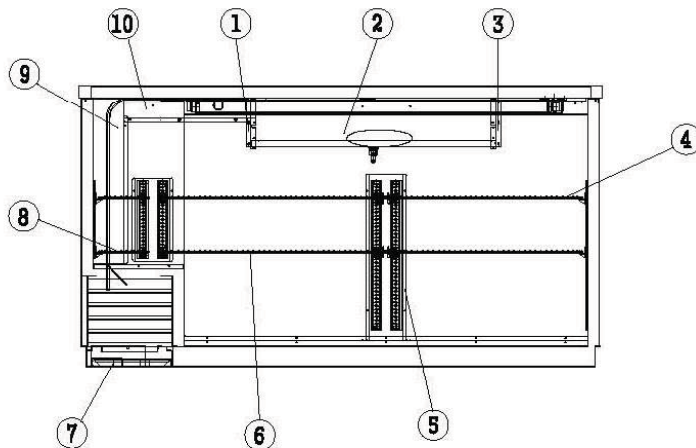


- 11 EVA. FAN MOTOR GUARD
- 12 EVAPORATOR DRAIN PAN
- 13 LAMP
- 14 LAMP SHIELD
- 15 SHELF STANDARD BRACKET ASSY
- 16 COVER LAMP CONNECTOR
- 17 BOTTOM HINGE ASSEMBLY (GLASS DOOR TYPE)
- 18 DOOR GASKET
- 19 DOOR WINDOW
- 20 TOP HINGE ASSEMBLY (GLASS DOOR TYPE)

FEATURE CHART

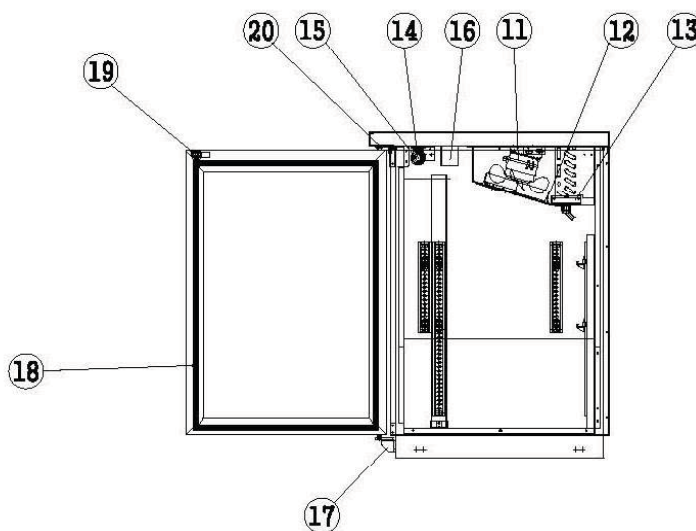
1-8. FRONT VIEW and SIDE VIEW(TBB-3SB)

FRONT VIEW



- 1 EVAPORATOR HOUSING GUIDE*L
- 2 EVAPORATOR HOUSING
- 3 EVAPORATOR HOUSING GUIDE*R
- 4 SHELF*RIGHT(3SB/SG TYPE)
- 5 SHELF STANDARD ASSY
- 6 SHELF*LEFT(3SB/SG TYPE)
- 7 DRAIN CASE
- 8 SHELF STANDARD(SIDE) ASSY
- 9 SUCTION LINE COVER(A)
- 10 SUCTION LINE COVER(B)

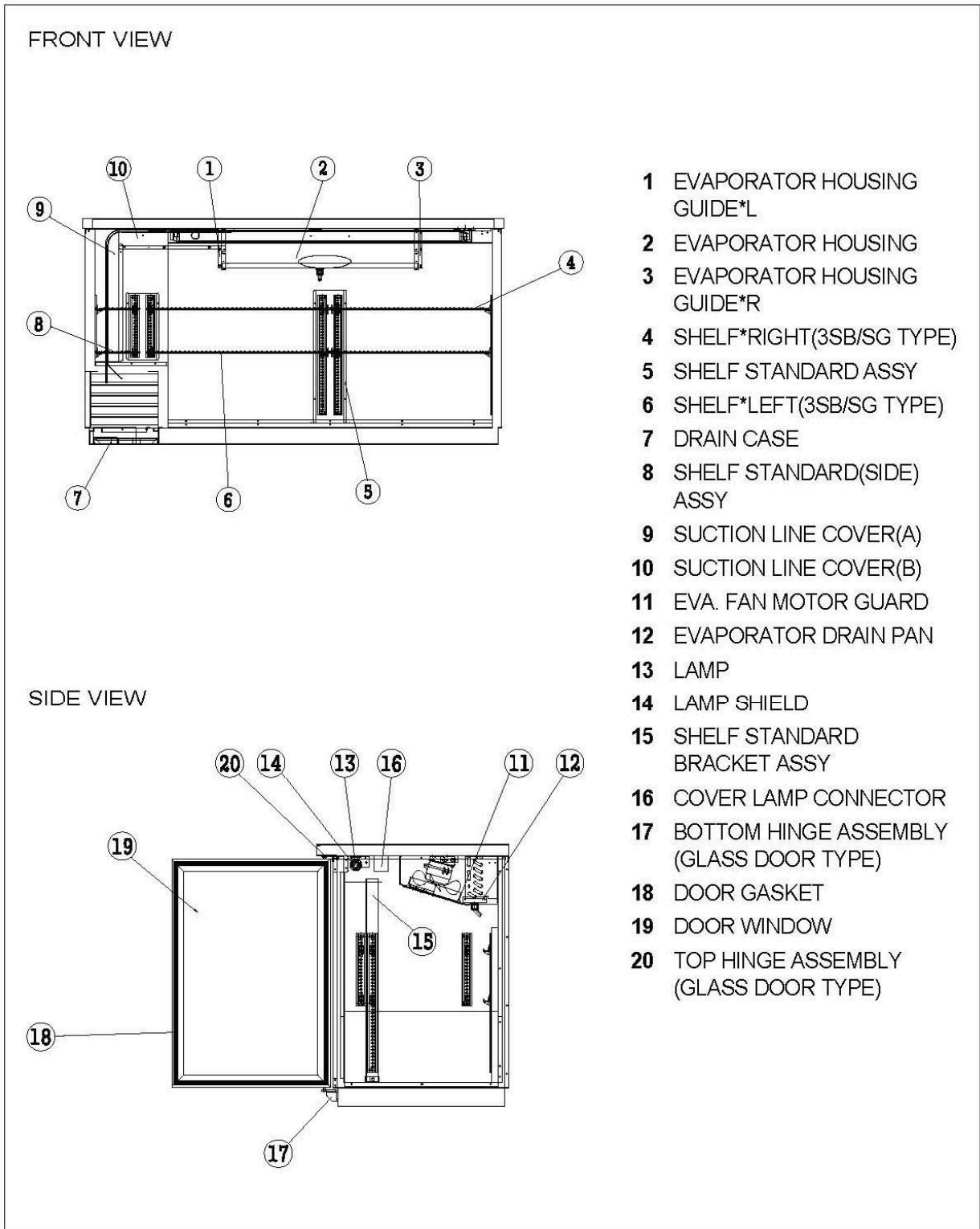
SIDE VIEW



- 11 EVA. FAN MOTOR ASSY
- 12 EVA. FAN MOTOR GUARD
- 13 EVAPORATOR DRAIN PAN
- 14 LAMP
- 15 LAMP SHIELD
- 16 COVER LAMP CONNECTOR
- 17 BOTTOM HINGE ASSEMBLY (SOLID DOOR TYPE)
- 18 DOOR GASKET
- 19 DOOR LOCK ASSY
- 20 TOP HINGE ASSEMBLY (SOLID DOOR TYPE)

FEATURE CHART

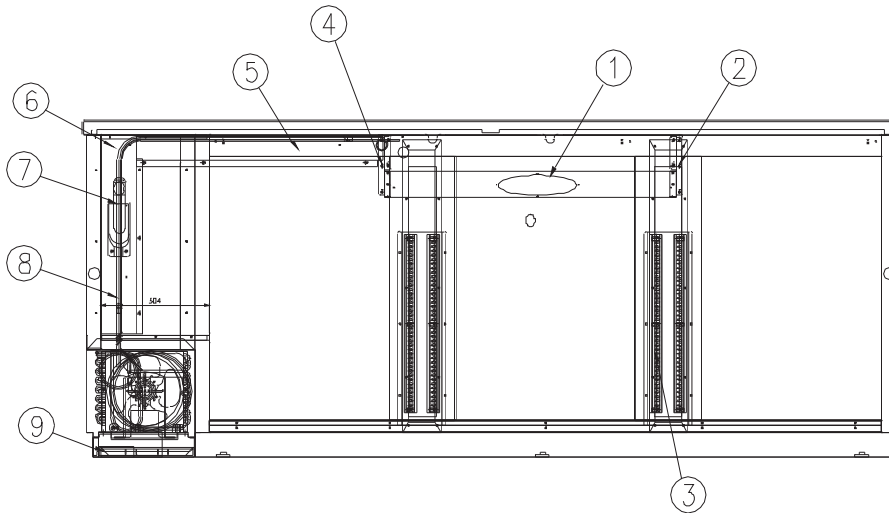
1-9. FRONT VIEW and SIDE VIEW(TBB-3SG)



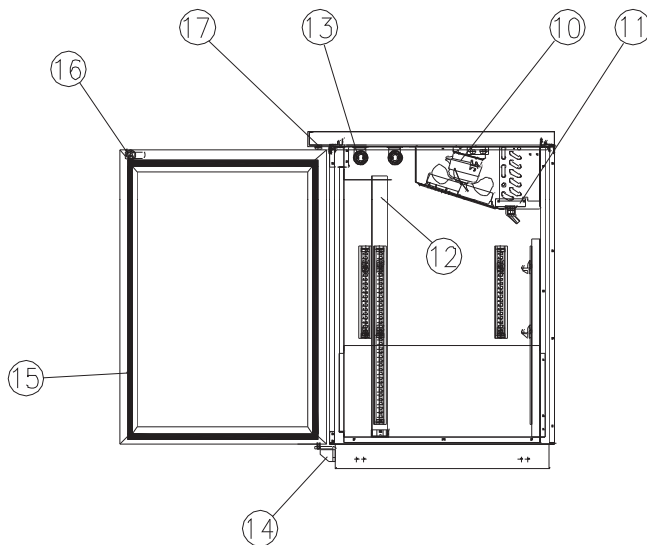
FEATURE CHART

1-10. FRONT VIEW and SIDE VIEW(TBB-4SB)

FRONT VIEW



SIDE VIEW

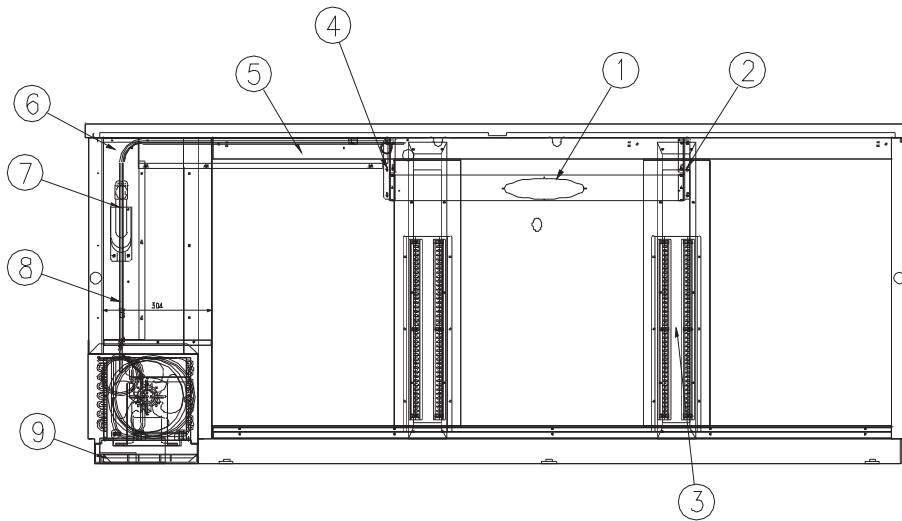


- 1 EVAPORATOR HOUSING
- 2 EVAPORATOR HOUSING GUIDE *R
- 3 SHELF STANDARD ASSY
- 4 EVAPORATOR HOUSING GUIDE *L
- 5 SUCTION LINE COVER(B)
- 6 SUCTION LINE COVER(A)
- 7 LAMP
- 8 SUCTION LINE ASSEMBLY
- 9 CONDENSATE DRAIN PAN
- 10 EVA. FAN MOTOR ASSY
- 11 EVAPORATOR DRAIN PAN(B)
- 12 SHELF STANDARD ASSY
- 13 LAMP
- 14 BOTTOM HINGE ASSEMBLY
- 15 DOOR GASKET
- 16 DOOR LOCK ASSY
- 17 TOP HINGE ASSEMBLY

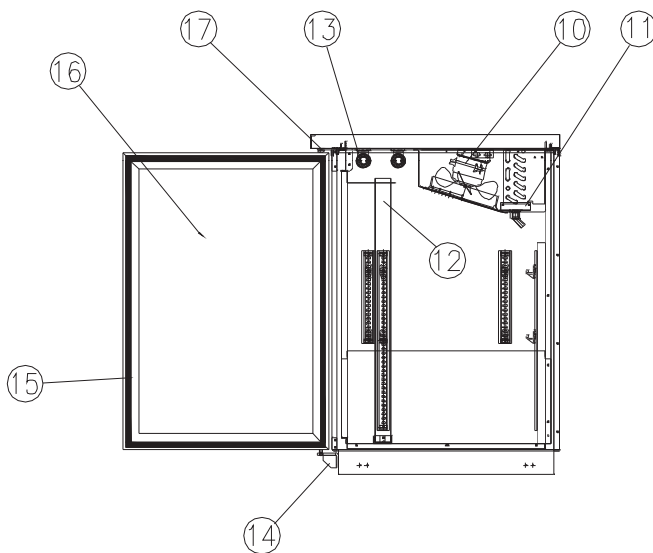
FEATURE CHART

1-11. FRONT VIEW and SIDE VIEW(TBB-4SG)

FRONT VIEW



SIDE VIEW

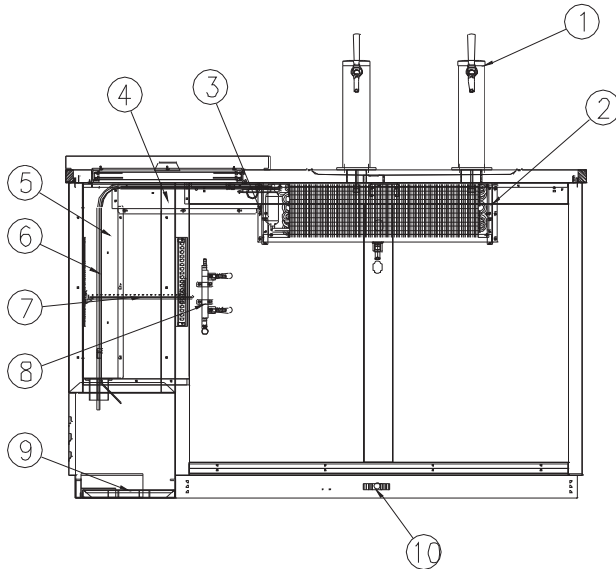


- 1 EVAPORATOR HOUSING
- 2 EVAPORATOR HOUSING GUIDE *R
- 3 SHELF STANDARD ASSY
- 4 EVAPORATOR HOUSING GUIDE *L
- 5 SUCTION LINE COVER(B)
- 6 SUCTION LINE COVER(A)
- 7 LAMP
- 8 SUCTION LINE ASSEMBLY
- 9 CONDENSATE DRAIN PAN
- 10 EVA. FAN MOTOR ASSY
- 11 EVAPORATOR DRAIN PAN(B)
- 12 SHELF STANDARD ASSY
- 13 LAMP
- 14 BOTTOM HINGE ASSEMBLY
- 15 DOOR GASKET
- 16 DOOR WINDOW
- 17 TOP HINGE ASSEMBLY

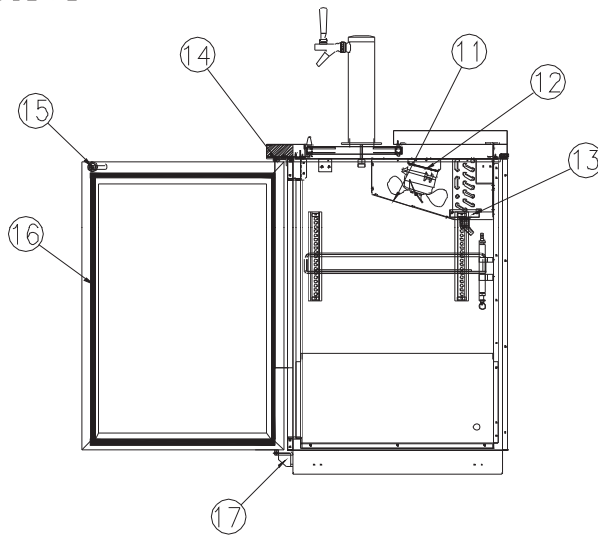
FEATURE CHART

1-12. FRONT VIEW and SIDE VIEW(TCB-2SD/SB)

FRONT VIEW



SIDE VIEW

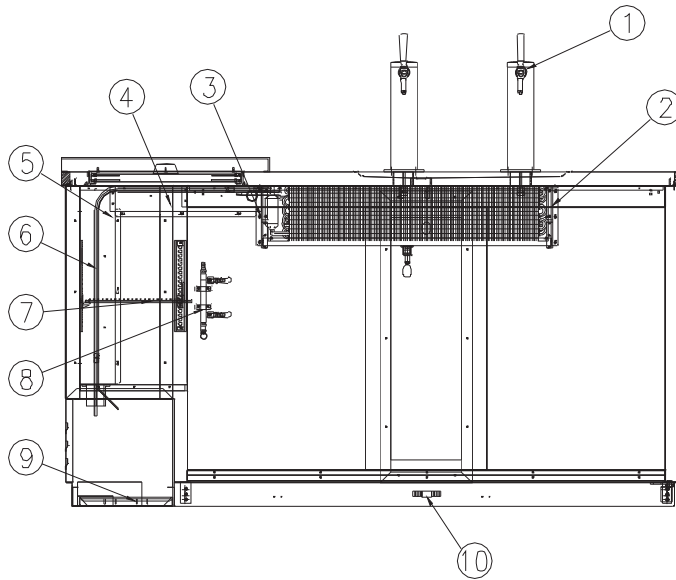


- 1 DRAFT STANDARD ASSY
- 2 EVAPORATOR HOUSING GUIDE *R
- 3 EVAPORATOR HOUSING GUIDE *L
- 4 SUCTION LINE COVER(B)
- 5 SUCTION LINE COVER(A)
- 6 SUCTION LINE ASSEMBLY
- 7 SHELF
- 8 DRAFT AIR DISTRIBUTOR
- 9 CONDENSATE DRAIN PAN
- 10 DRAIN LINE
- 11 EVAPORATOR HOUSING
- 12 EVA. FAN MOTOR ASSY
- 13 EVAPORATOR DRAIN PAN(B)
- 14 TOP HINGE ASSEMBLY
- 15 DOOR LOCK ASSY
- 16 DOOR GASKET
- 17 TOP HINGE ASSEMBLY

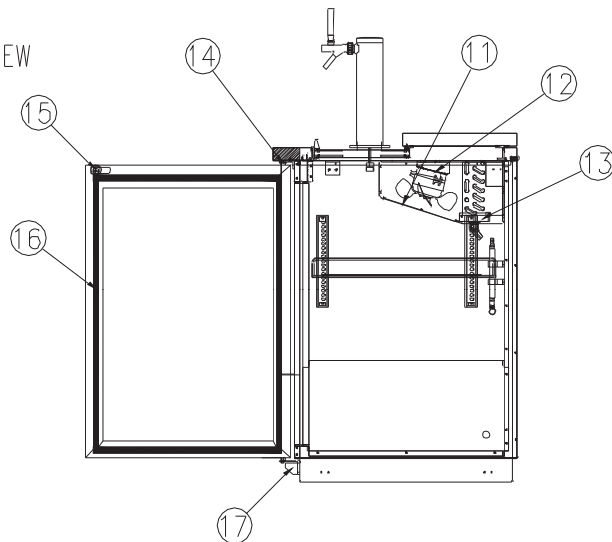
FEATURE CHART

1-13. FRONT VIEW and SIDE VIEW(TCB-3SD/SB)

FRONT VIEW



SIDE VIEW

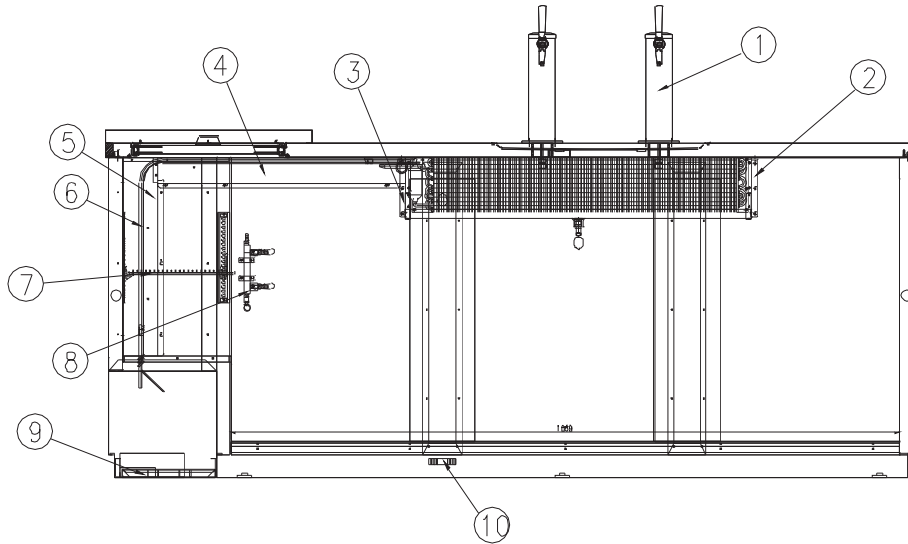


- 1 DRAFT STANDARD ASSY
- 2 EVAPORATOR HOUSING GUIDE *R
- 3 EVAPORATOR HOUSING GUIDE *L
- 4 SUCTION LINE COVER(B)
- 5 SUCTION LINE COVER(A)
- 6 SUCTION LINE ASSEMBLY
- 7 SHELF
- 8 DRAFT AIR DISTRIBUTOR
- 9 CONDENSATE DRAIN PAN
- 10 DRAIN LINE
- 11 EVAPORATOR HOUSING
- 12 EVA. FAN MOTOR ASSY
- 13 EVAPORATOR DRAIN PAN(B)
- 14 TOP HINGE ASSEMBLY
- 15 DOOR LOCK ASSY
- 16 DOOR GASKET
- 17 TOP HINGE ASSEMBLY

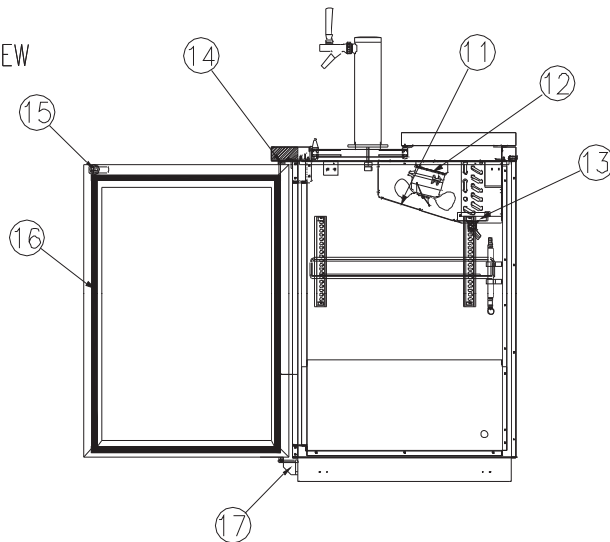
FEATURE CHART

1-14. FRONT VIEW and SIDE VIEW(TCB-4SD/SB)

FRONT VIEW



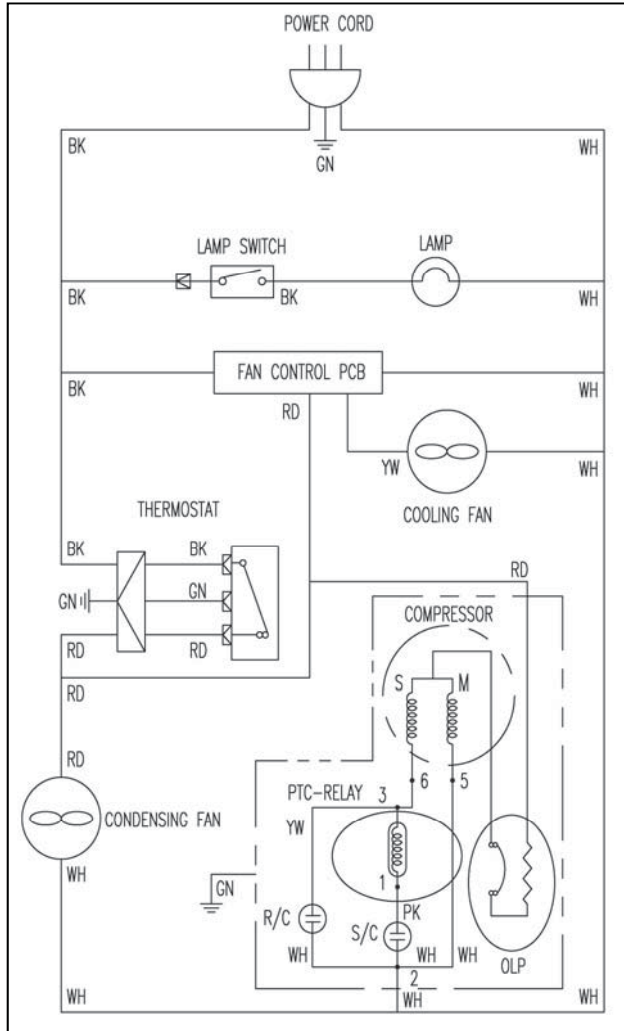
SIDE VIEW



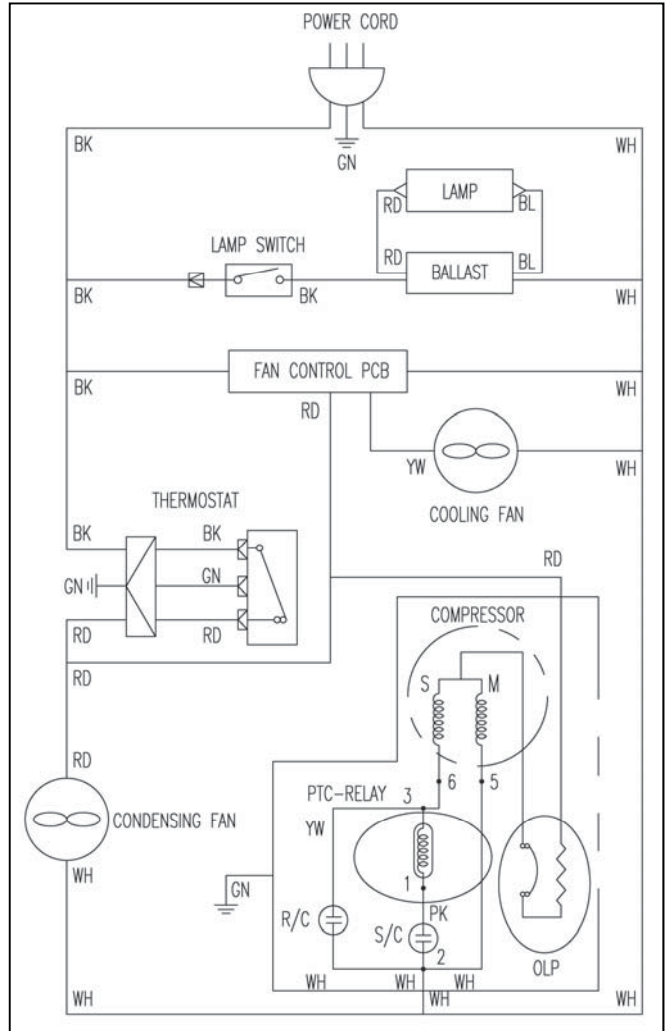
- 1 DRAFT STANDARD ASSY
- 2 EVAPORATOR HOUSING GUIDE *R
- 3 EVAPORATOR HOUSING GUIDE *L
- 4 SUCTION LINE COVER(B)
- 5 SUCTION LINE COVER(A)
- 6 SUCTION LINE ASSEMBLY
- 7 SHELF
- 8 DRAFT AIR DISTRIBUTOR
- 9 CONDENSATE DRAIN PAN
- 10 DRAIN LINE
- 11 EVAPORATOR HOUSING
- 12 EVA. FAN MOTOR ASSY
- 13 EVAPORATOR DRAIN PAN(B)
- 14 TOP HINGE ASSEMBLY
- 15 DOOR LOCK ASSY
- 16 DOOR GASKET
- 17 TOP HINGE ASSEMBLY

WIRING DIAGRAM

2-3. TBD-2SD/SB, TBD-3SD/SB

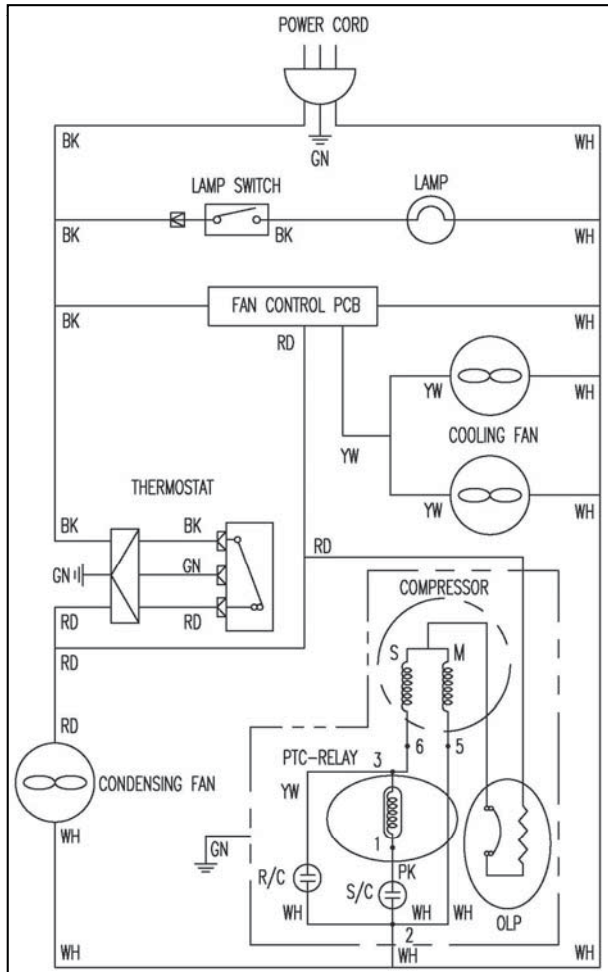


2-4. TBB-2SB/SG, TBB-3SB/SG

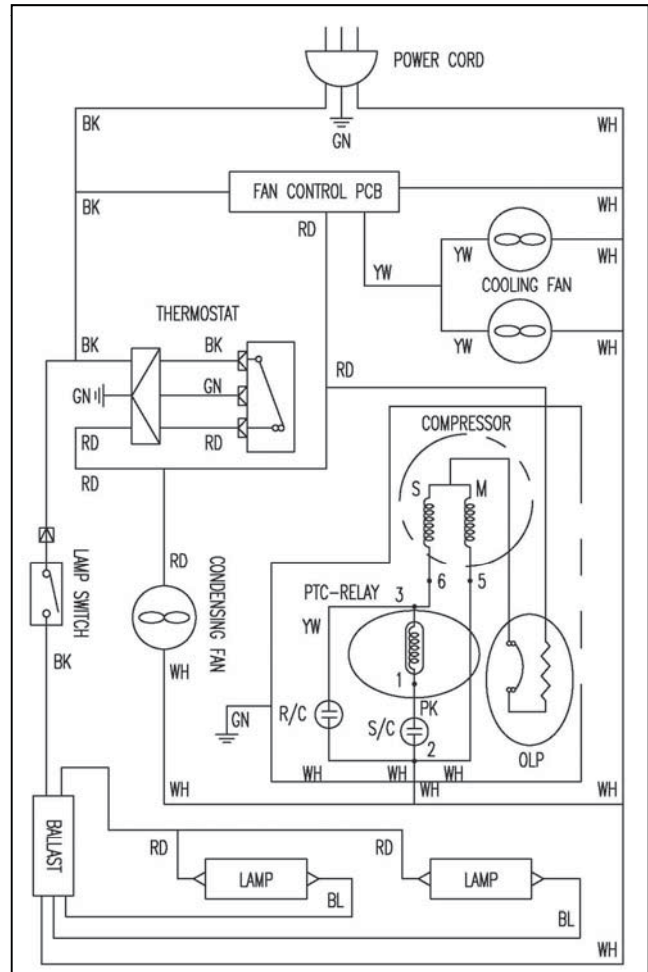


WIRING DIAGRAM

2-5. TBD-4SD/SB

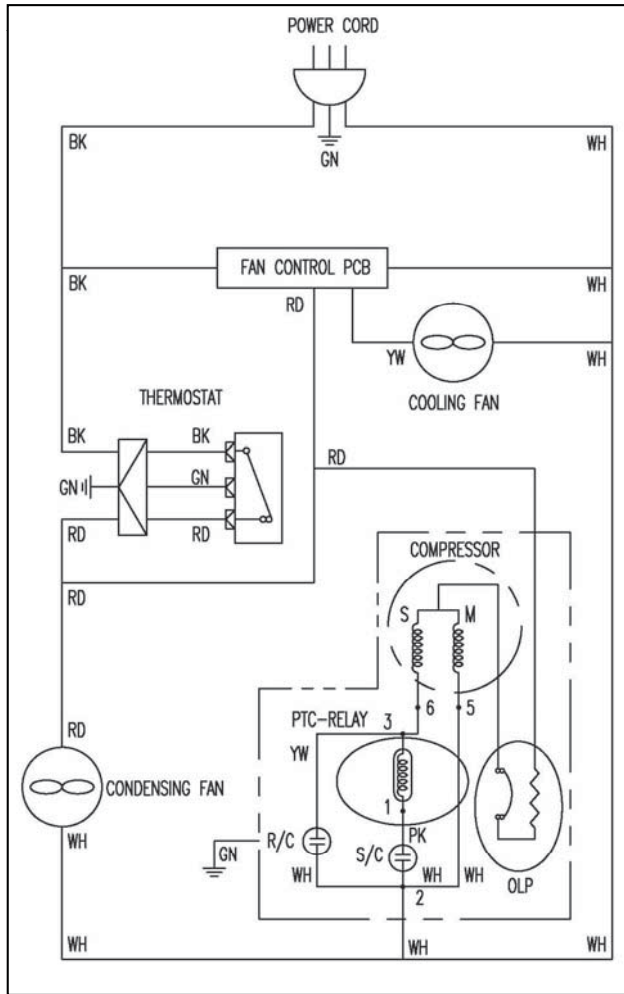


2-6. TBB-4SB/SG

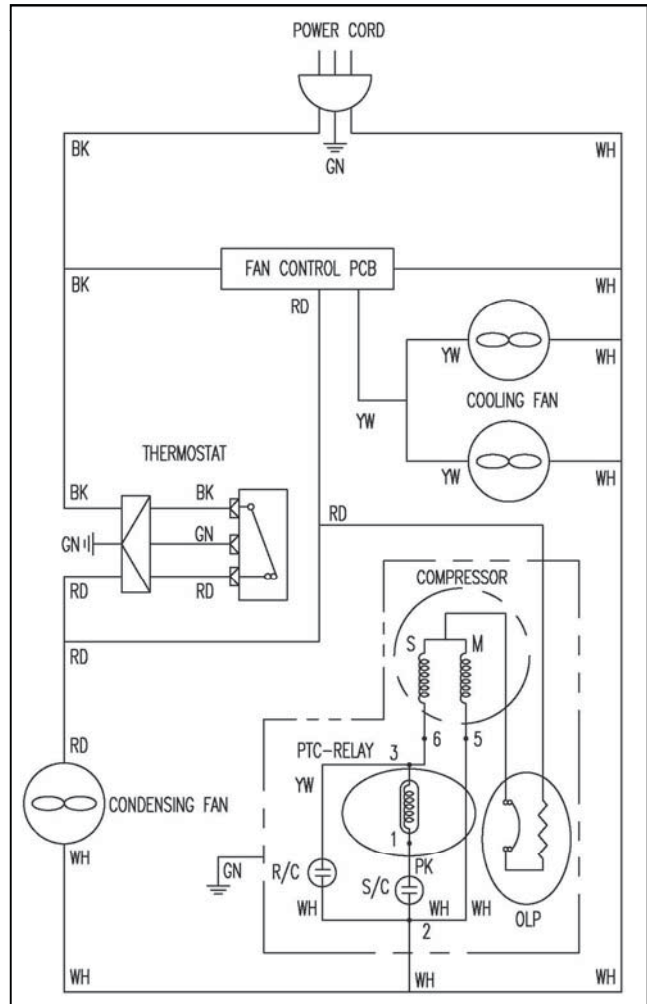


WIRING DIAGRAM

2-7. TCB-2SD/SB, TCB-3SD/SB



2-8. TCB-4SD/SB



3. PART DETAILS

3-1. DOOR

▶ **SOLID DOOR**

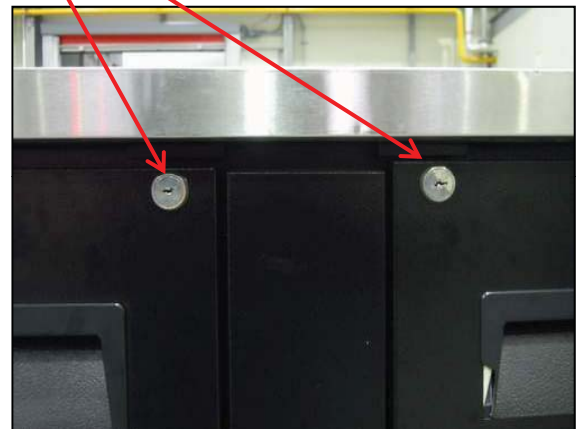
TBD-1SD, TBD-1SB, TBD-2SD/SB, TBB-2SB
TBD-3SD/SB, TBB-3SB, TBD-4SD/SB, TBB-4SB
TCB-2SD/SB, TCB-3SD/SB, TCB-4SD/SB

▶ **GLASS DOOR**

TBB-2SG, TBB-3SG, TBB-4SG



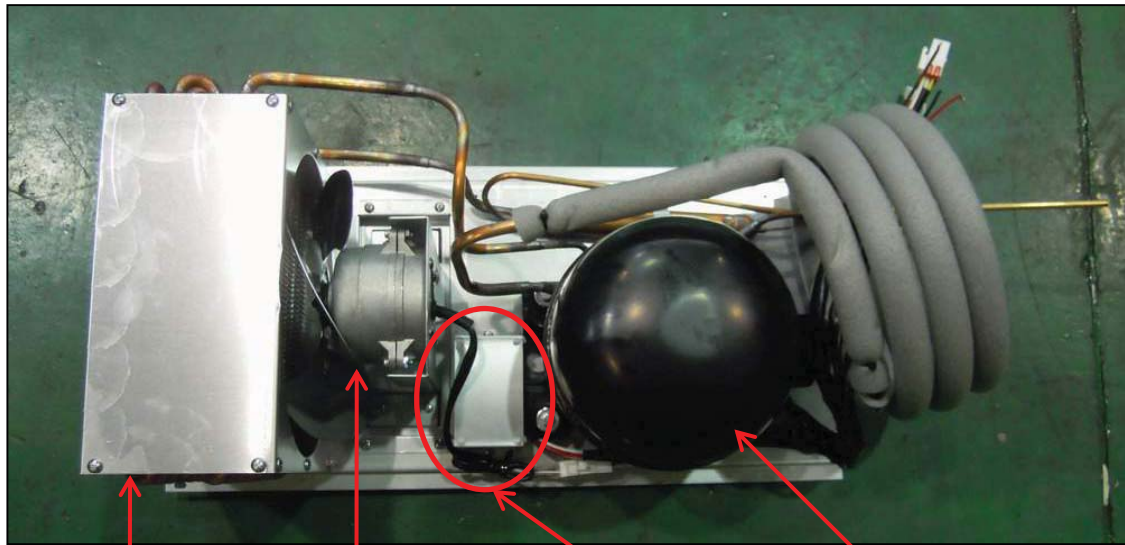
Door Lock Assembly



PART DETAILS

3-2. Refrigeration Compartment

▶ TBD SERIES



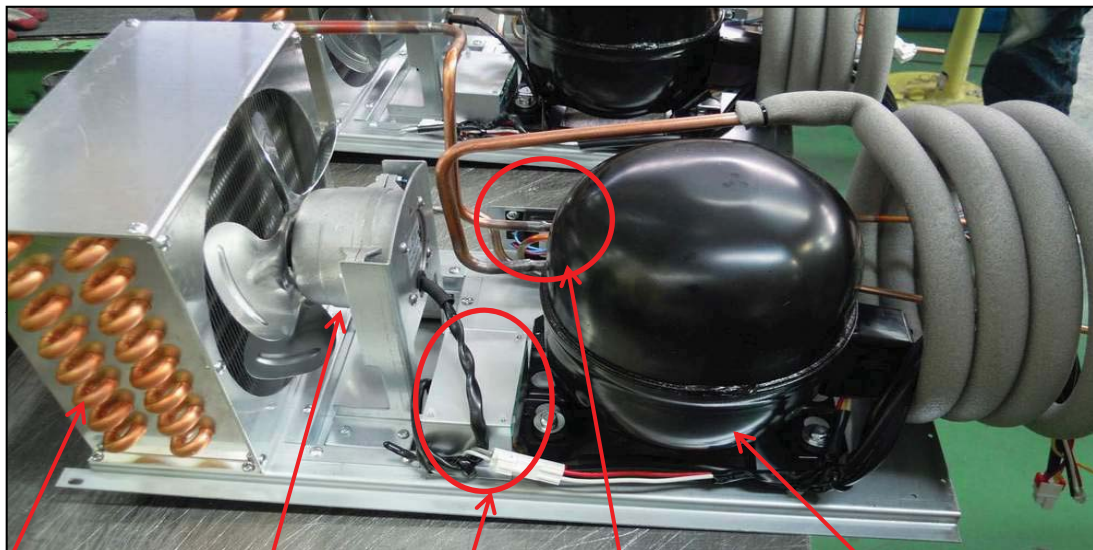
Condenser Coil

Fan Motor Assy

Fan Control PCB

Compressor

▶ TBB SERIES



Condenser Coil

Fan Motor Assy

Fan Control PCB

Ballast

Compressor

PART DETAILS

Condensate drain pan

TBD-1SD/SB, TBB-1SB



TBD-2SD/SB, TBB-2SB, TBB-2SG
TBD-3SD/SB, TBB-3SB, TBB-3SG
TBB-4SD/SB, TBB-4SB, TBB-4SG
TCB-2SD/SB, TCB-3SD/SB,
TCB-4SD/SB



Condensate Fan Motor Assembly

TBD-1SD/SB, TBB-1SB

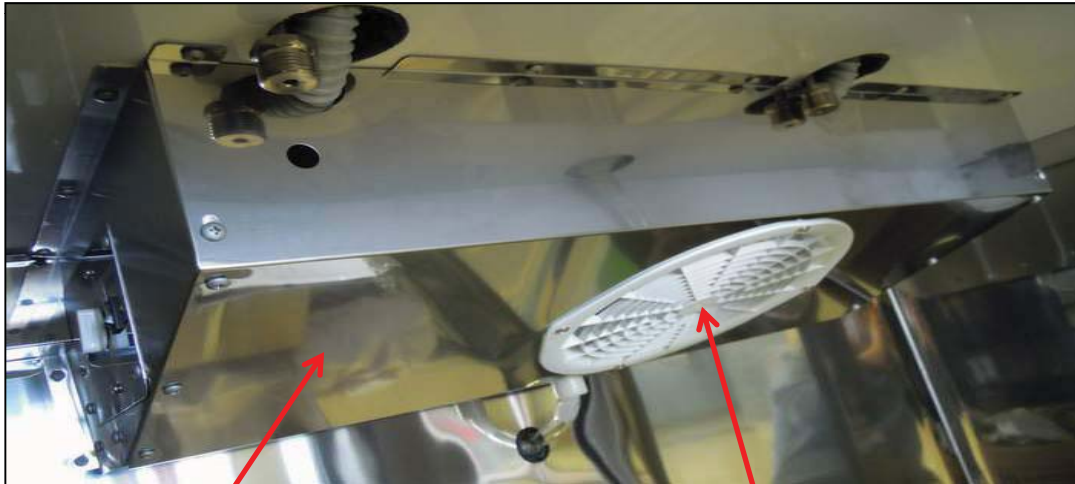


TBD-2SD/SB, TBB-2SB, TBB-2SG
TBD-3SD/SB, TBB-3SB, TBB-3SG
TBB-4SD/SB, TBB-4SB, TBB-4SG
TCB-2SD/SB, TCB-3SD/SB,
TCB-4SD/SB



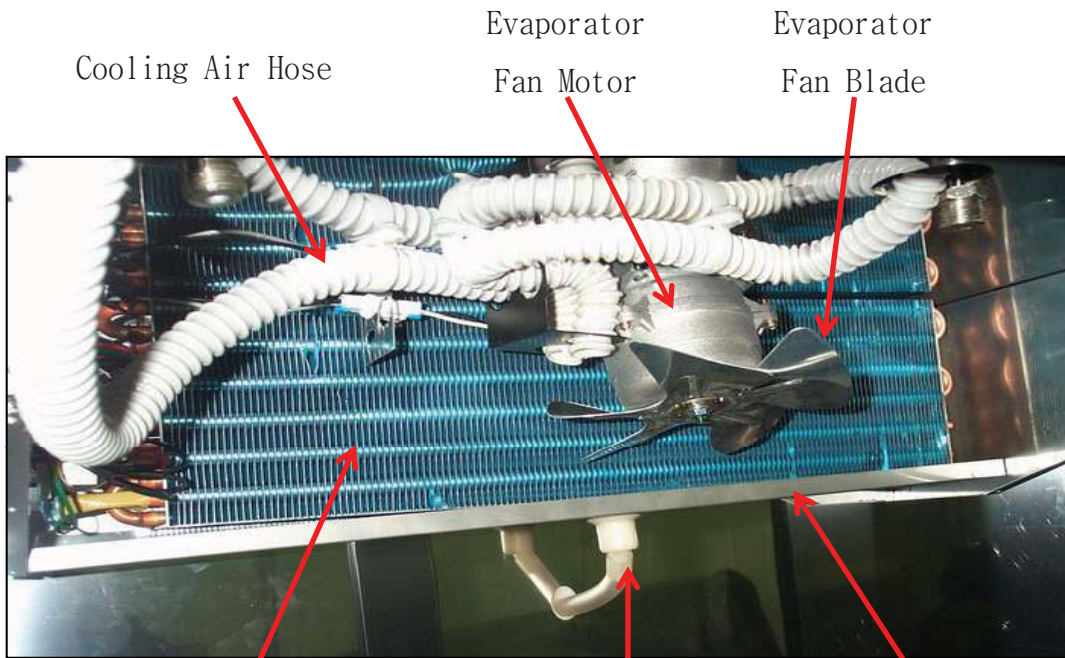
PART DETAILS

3-3. Cooling Compartment



Evaporator housing

Evaporator Fan Motor Guard



Cooling Air Hose

Evaporator
Fan Motor

Evaporator
Fan Blade

Evaporator Coil

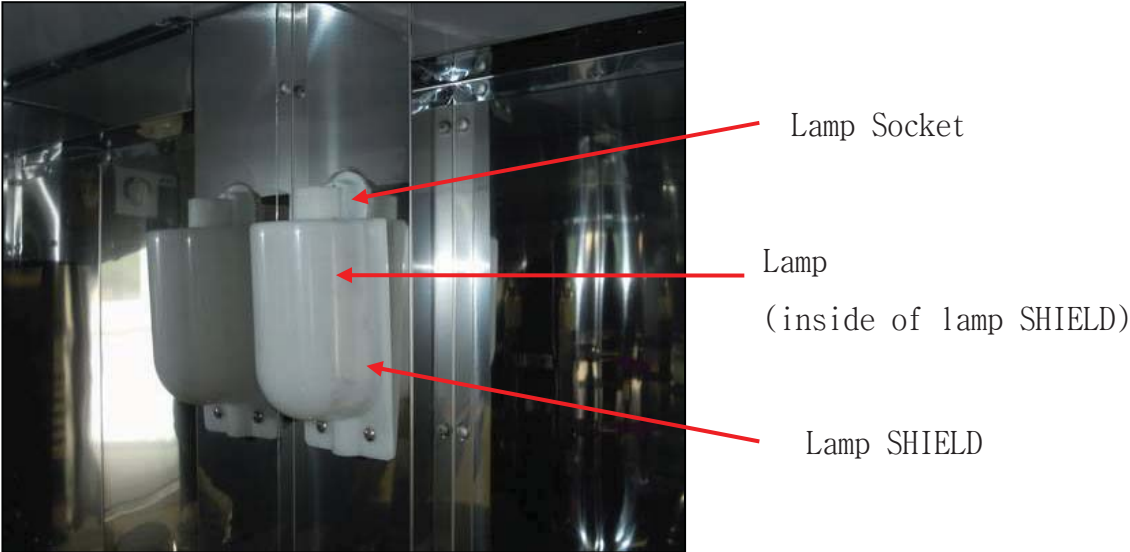
Drain Elbow
Assembly

Evaporator Drain Pan

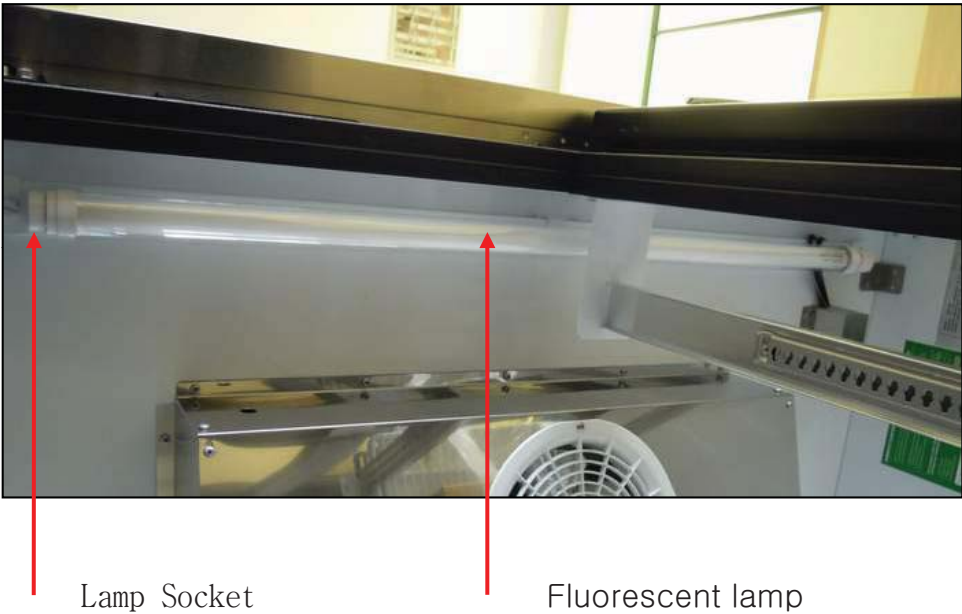
PART DETAILS

3-4. Lamp

TBD + TCB Series Models.

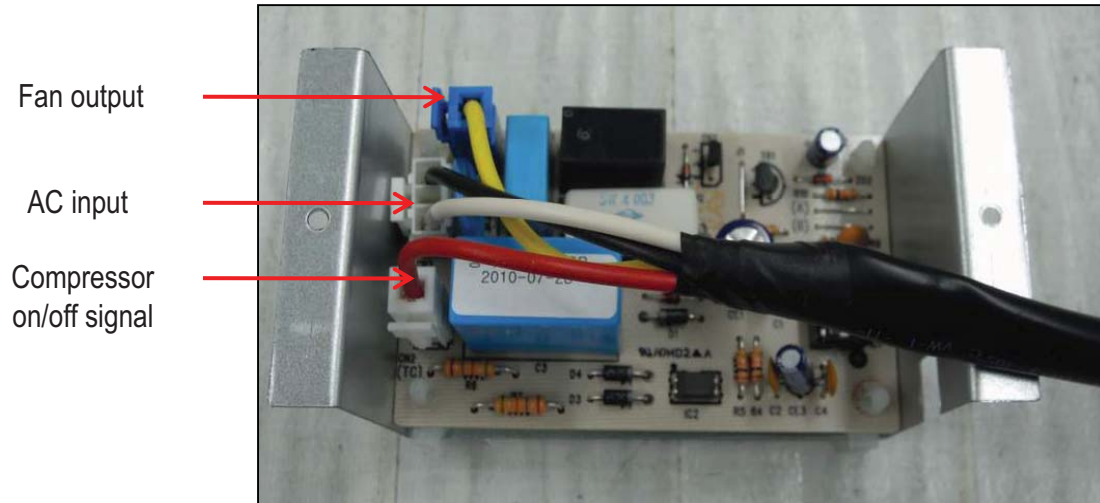


TBB Series Models.



PART DETAILS

3-5. Fan Control PCB



4. MAIN COMPONENTS

1. COMPRESSOR

MODEL	PART NAME	PART NO.	HORSE POWER	CAPACITY	TYPE OF MOTOR	Current (RLA)	MAKER
TBD-1SD/SB TBB-1SB	HFL11Y-1	30289A0400	1/10 HP	373 BTU/h (94 Kcal/h)	LBP RSIR	1.9A	DAEWOO
TBB-2SB TBB-3SB	HBL27YE-1	3952127G10	1/4 HP	896 BTU/h (226 Kcal/h)	LBP CSR	3.7A	DAEWOO
TBD-2SD/SB, TCB-2SD/SB TBD-3SD/SB, TCB-3SD/SB TBD-4SD/SB, TCB-4SD/SB TBB-2SG, TBB-3SG TBB-4SG, TBB-4SB	SK1A1C-L2W	30200Q1200	1/3 HP	1,202 BTU/h (303 Kcal/h)	LBP CSR	4.0A	SAMSUNG

2. COMPRESSOR RELAY, OVERLOAD

MODEL	RELAY	OVERLOAD PROTECTOR	MAKER
TBD-1SD/SB TBB-1SB	S068 (PTC-RSIR)	4TM-293THBY-52	DAEWOO
TBB-2SB TBB-3SB	S068 (PTC-CSR)	4TM 783SHBZZ-52	DAEWOO
TBD-2SD/SB, TCB-2SD/SB TBD-3SD/SB, TCB-3SD/SB TBD-4SD/SB, TCB-4SD/SB TBB-2SG, TBB-3SG TBB-4SG, TBB-4SB	J531Q34E22OM3503	4TM 795TFBZZ-53	SAMSUNG

3. COMPRESSOR CAPACITOR

MODEL	STARTING	PART NO.	RUNNING	PART NO.
TBD-1SD/SB TBB-1SB	-	-	-	-
TBB-2SB TBB-3SB	220V/100 μ F	3017906900	230V/10 μ F	381791600
TBD-2SD/SB, TCB-2SD/SB TBD-3SD/SB, TCB-3SD/SB TBD-4SD/SB, TCB-4SD/SB TBB-2SG, TBB-3SG TBB-4SG, TBB-4SB	125V / 125 μ F	-	250V / 12 μ F	-

MAIN COMPONENTS

4. EVAPORATOR FAN MOTOR

MODEL	PART NAME	PART NO.	POLE	BLADE	SIZE	MAKER
ALL	IS4420DWSN-2A	3963328120	4P	Aluminum	175mm	SUNG-SHIN

5. CONDENSER FAN MOTOR

MODEL	PART NAME	PART NO.	POLE	BLADE	SIZE	MAKER
TBD-1SD/SB TBB-1SB	IS-3225DWSQ-2	3963326710	2P	ZITEL	150mm	SUNG-SHIN
Below List	IS-4420DWSG-1	3963320410	4P	Aluminum	200mm	SUNG-SHIN

- ▶ TBD-2SD/SB, TBD-3SD/SB, TBD-4SD/SB, TCB-2SD/SB, TCB-3SD/SB, TCB-4SD/SB
- ▶ TBB-2SB, TBB-3SB, TBB-4SB, TBB-2SG, TBB-3SG, TBB-4SG

6. LAMP & BALLAST

MODEL	PART NAME	SPEC	PART NO.	수량
TBD-1SD/SB, TBD-2SD/SB	INCANDESCENT LAMP	25W	30236L0110	1
TBD-3SD/SB, TBD-4SD/SB				
TBB-1SB	FLUORESCENT LAMP	13W	30236F0510	1
TBB-2SB, TBB-2SG		30W	30236A0900	1
TBB-4SB, TBB-4SG				2
TBB-3SB, TBB-3SG		32W	30236D0511	1
TBB-1SB	BALLAST	SC-120-113-LT5	30200A5800	1
TBB-2SB, TBB-2SG		B232IUNVHP-B	30285R1220	1
TBB-3SB, TBB-3SG			30200H7420	1
TBB-4SB, TBB-4SG				1

- ▶ The difference "30285R1220" and "30200H7420" is wiring shape

MAIN COMPONENTS

7. THERMOSTAT

MODEL	PART NAME	PART NO.	MAKER
TBD-1SD/SB, TBB-1SB	GNA-106D-01A	3028302400	SHIN-HAN
TBB-4SG			
TBD-4SD/SB, TCB-4SD/SB	GNA-240L-4	30283F0800	
TBB-2SB, TBB-3SB, TBB-4SB			
TBD-2SD/SB, TBD-3SD/SB	GNA-242L	30283F1000	
TCB-2SD/SB, TCB-3SD/SB			
TBB-2SG, TBB-3SG			

► THERMOSTAT ON/OFF SPEC.

MODEL	WARM		NORMAL		COLD	
	On	Off	On	Off	On	Off
GNA-106D-01A	9.0	-2.0	6.0	-5.0	4.0	-8.0
GNA-240L-4	10.0	-2.5	6.0	-7.0	3.0	-11.0
GNA-242L	8.0	-5.0	5.0	-9.0	2.8	-12.5

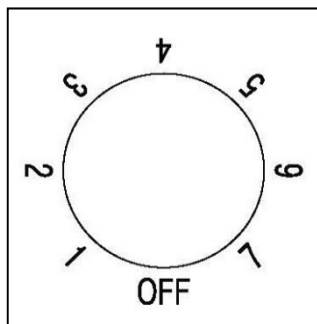
8. FAN-CONTROL PCB

MODEL	PART NAME	PART NO.	MAKER
ALL	FAN CONTROL PCB	P0143A0100	NEUROSYS

5. TEMPERATUR CONTROL INSTRUCTION

5-1. HOW TO USE THE TEMPERATURE CONTROL

- ▶ Temperature can be controlled by the user.
- ▶ Settings can be changed by “Dial Knob”.
- ▶ Compressor is automatically turned on and off by thermostat.

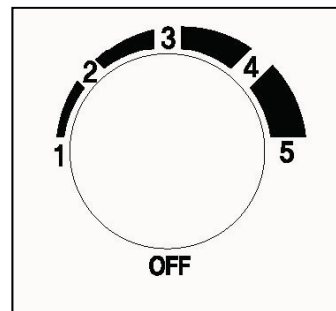


TEMPERATURE CONTROL
(TBB-2SB, TBB-3SB, TBB-4SB)

TBB-2SG, TBB-3SG, TBB-4SG

TBD-2SD/SB, TBD-3SD/SB, TBD-4SD/SB

TCB-2SD/SB, TCB-3SD/SB, TCB-4SD/SB)



TEMPERATURE CONTROL

(TBD-1SD/SB, TBB-1SB, TBB-4SG)

5-2. FAN CONTROL PCB

- ▶ Cooling Fan Motors are controlled by “Fan Control PCB”
- ▶ Cooling Fan Motors are continuously operating while compressor is operating
- ▶ It is repeated during compressor is not operating that Cooling Fan Motors are not operating 3 minutes and operating 1 minutes.

7. REPLACEMENT OF MAIN COMPONENTS

7-1. REPLACING DOOR

◆ SOLID DOOR MODEL

TCB-2SD/SB, TCB-3SD/SB, TCB-4SD/SB)

TBB-1SB, TBB-2SB, TBB-3SB, TBB-4SB

TBD-1SD/SB, TBD-2SD/SB, TBD-3SD/SB, TBD-4SD/SB

A. Unscrew the screw top hinge assembly.



B. Lift the door



◆ GLASS DOOR MODEL

A. Unscrew the last screw with pushing the hinge .

TBB-2SG, TBB-3SG, TBB-4SG

B. After unscrewing the hinge will rotate about 90° (CW) of itself.

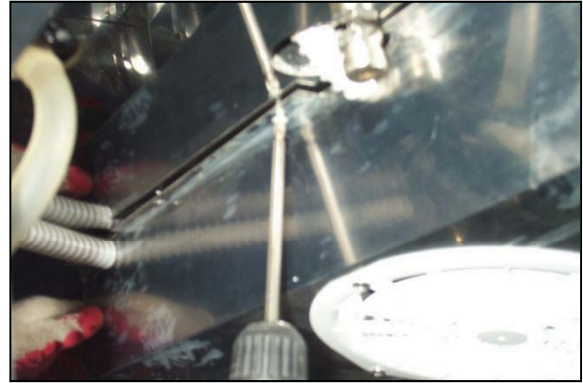
B. Lift the door



REPLACEMENT OF MAIN COMPONENTS

7-2. REFRIGERATION COMPARTMENT PARTS

A. Disassemble Evaporator Housing.



B. Remove the front face of the Evaporator Housing.

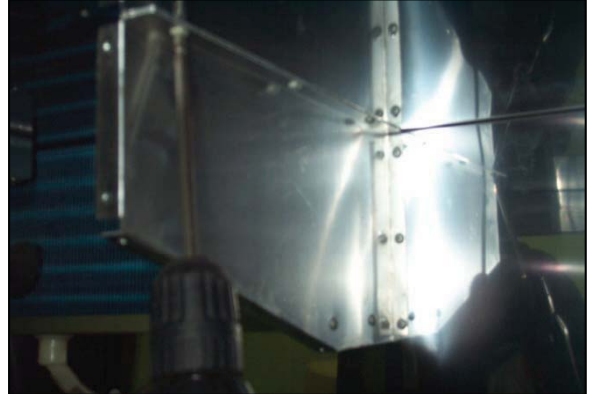


C. Unscrew the screws from the suction line cover(B) and remove it.



REPLACEMENT OF MAIN COMPONENTS

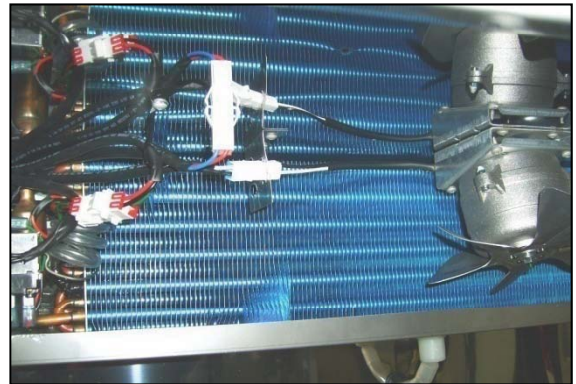
D. Remove Evaporator Housing guide*L and Evaporator Housing guide*R by unscrewing the ten screws located at each side of the Evaporator.



E. Refer to the figure of disassembled refrigeration compartments.



TBD + TCB Series Models.



TBB Series Models.

F. Unscrew the screws at the both sides of suction line cover(A).



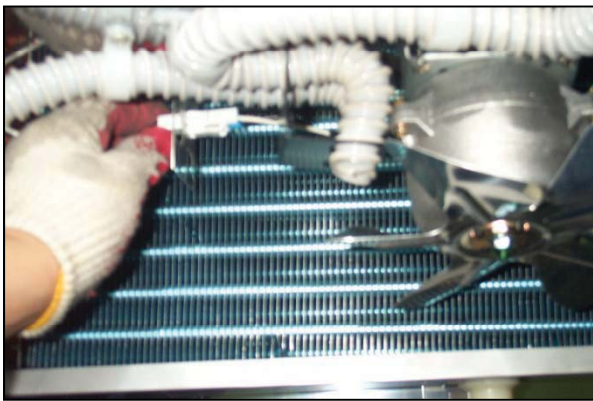
REPLACEMENT OF MAIN COMPONENTS

G. Disconnect the connector from the lamp harness.

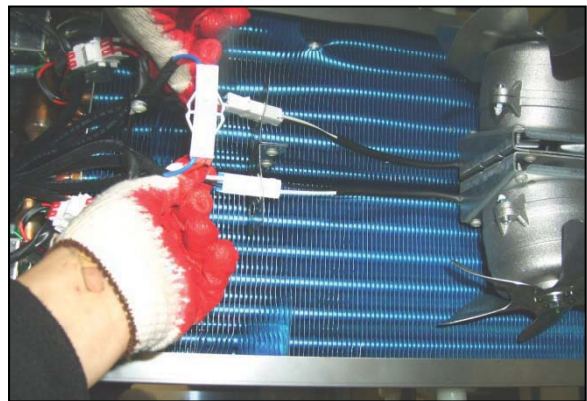


H. Replacing the evaporator Fan Motor.

Ⓐ Pull out the fan motor connector.

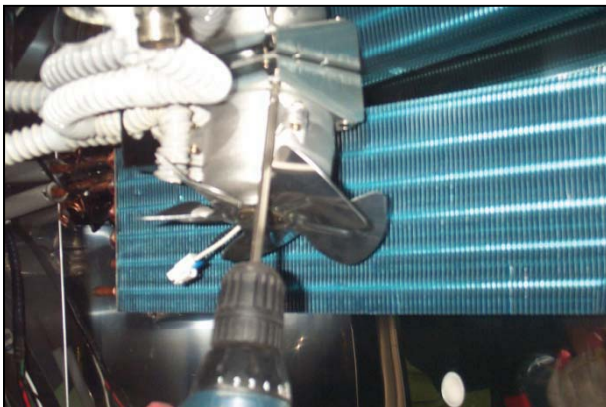


TBD + TCB Series Models.



TBB Series Models.

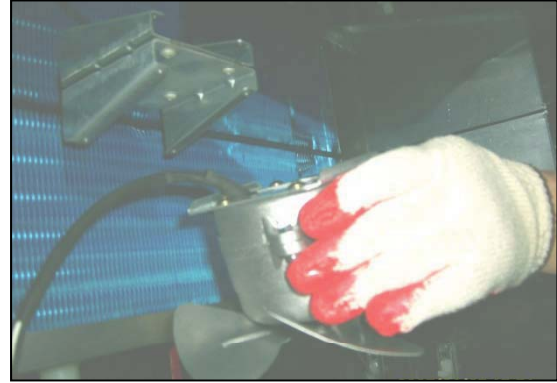
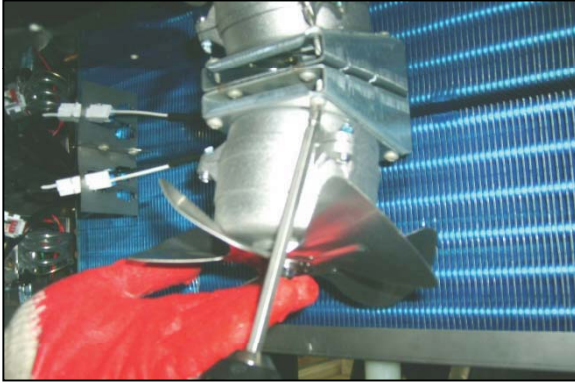
Ⓑ Unscrew the four screws at the bottom of the fan motor.



TBD + TCB Series Models.

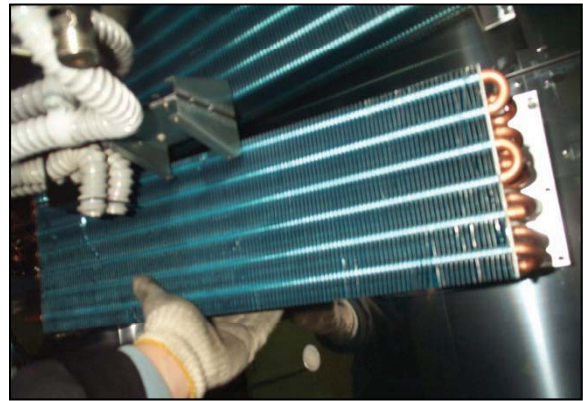


REPLACEMENT OF MAIN COMPONENTS



TBB Series Models.

I. Remove the evaporator by unscrewing the five screws at each side of the evaporator.



REPLACEMENT OF MAIN COMPONENTS

7-3. COMPRESSOR COMPARTMENT PARTS.

A. Disassemble the Bottom Grille.



(FRONT)



(REAR)

B. Unscrew the four screws at front and rear of the compressor base.

C. Pull out of the condensing unit.



D. The condensing unit as follows.



TBD + TCB Series Models.



TBB Series Models.