



**T&S BRASS AND BRONZE WORKS, INC.**  
 2 Saddleback Cove / P.O. Box 1088  
 Travelers Rest, SC 29690

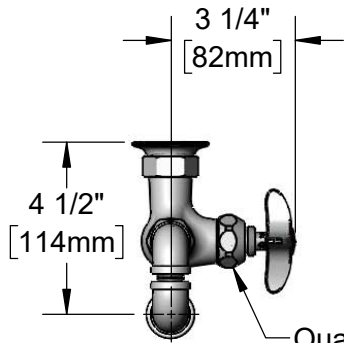
Model No.  
**B-0169-01**

Item No.

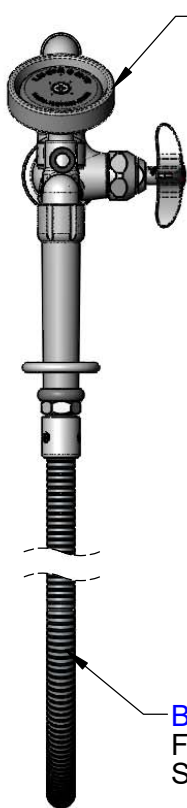
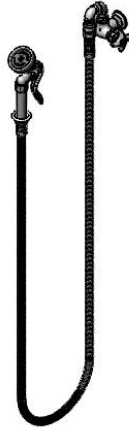
Travelers Rest, SC: 800-476-4103 • Simi Valley, CA: 800-423-0150 • Fax: 864-834-3518 • www.tsbrass.com

This Space for Architect/Engineer Approval

Job Name \_\_\_\_\_ Date \_\_\_\_\_  
 Model Specified \_\_\_\_\_ Quantity \_\_\_\_\_  
 Customer/Wholesaler \_\_\_\_\_  
 Contractor \_\_\_\_\_  
 Architect/Engineer \_\_\_\_\_



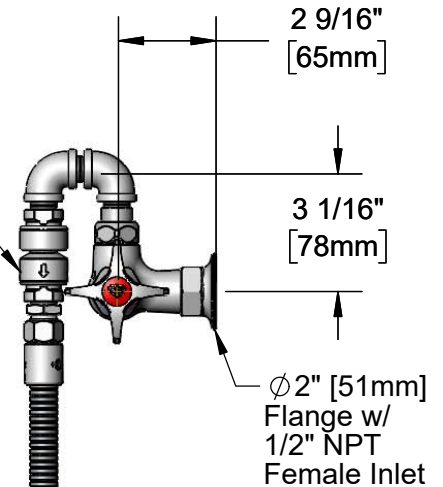
Quarter-Turn Eterna  
 Cartridge w/  
 Spring Check &  
 4-Arm Handle  
 w/ Color Coded  
 Index (Red)



**B-0107-035**  
 Angled Spray Valve  
 1.15 GPM



**B-0970-FE**  
 Vacuum  
 Breaker



**B-0096-H**  
 Flexible Stainless  
 Steel Hose

Product Specifications:

Wall Mount Single Faucet, Quarter-Turn Eterna Cartridge w/ Spring Check, 96" Flexible Stainless Steel Hose w/ 1.15 GPM Angled Spray Valve, 4-Arm Handle, Vacuum Breaker, Wall Hook & 1/2" NPT Female Inlet

Product Compliance:

ASME A112.18.1 / CSA B125.1  
 NSF 61 - Section 9  
 NSF 372 (Low Lead Content)  
 2019 DOE PRSV - Class II  
 CSA B64.8 (VB)



# T&S BRASS AND BRONZE WORKS, INC.

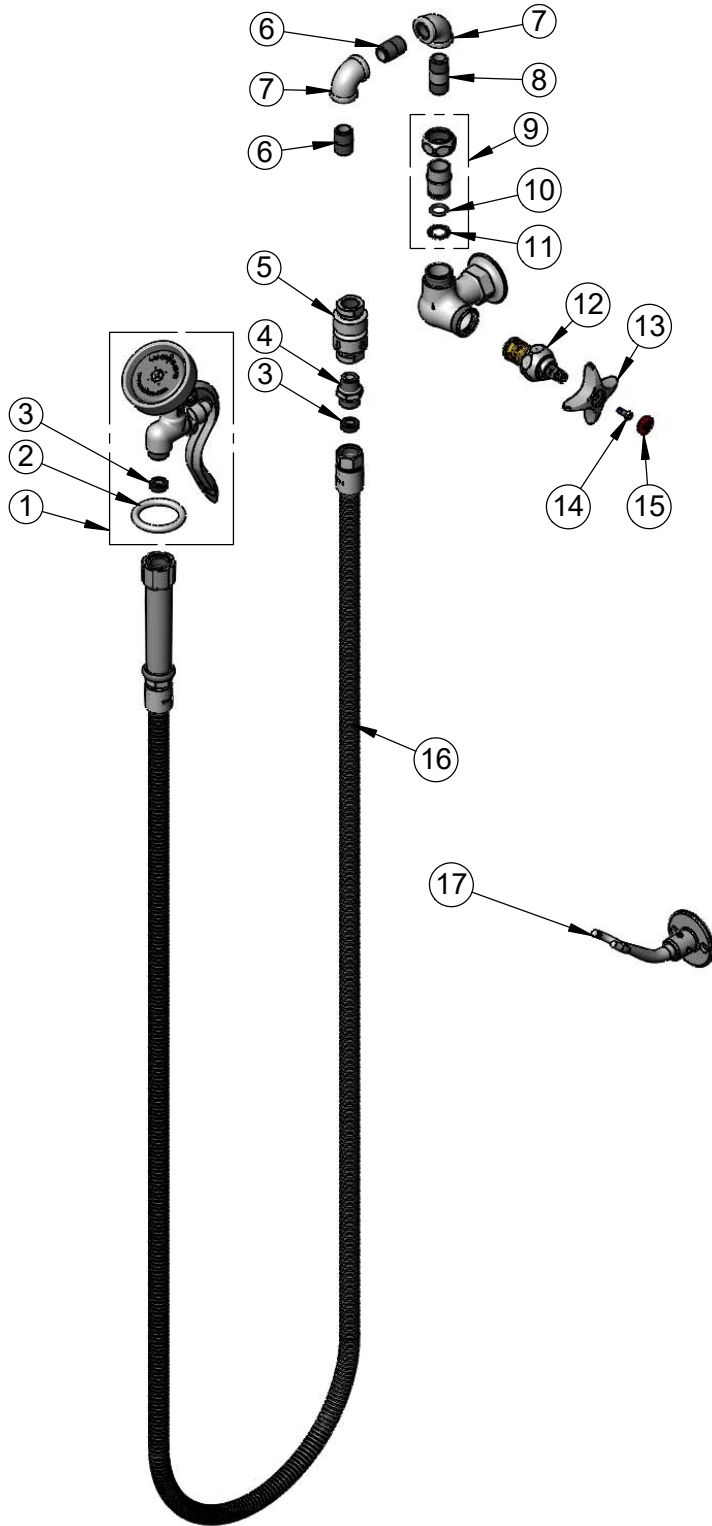
2 Saddleback Cove / P.O. Box 1088  
Travelers Rest, SC 29690

Model No.

**B-0169-01**

Item No.

Travelers Rest, SC: 800-476-4103 • Simi Valley, CA: 800-423-0150 • Fax: 864-834-3518 • www.tsbrass.com



| ITEM NO. | SALES NO.   | DESCRIPTION  |
|----------|-------------|--|
| 1        | B-0107-035  | 1.15 GPM Gray Angled Spray Valve                   |
| 2        | 000907-45   | Spray Valve Hold Down Ring                         |
| 3        | 010476-45   | #27 Washer   |
| 4        | 053A        | Adapter, 3/8" NPT Male                             |
| 5        | B-0970-FE   | 3/8" NPT Vacuum Breaker                            |
| 6        | 002535-25   | 3/8" Close Nipple                                  |
| 7        | 001355-40   | Elbow, 3/8 NPT                                     |
| 8        | 002341-40   | Nipple, 3/8" NPT x 1-1/2"                          |
| 9        | EZ-K        | EasyInstall Kit                                    |
| 10       | 006562-45   | O-ring   |
| 11       | 014200-45   | Star Washer, Anti-Rotation                         |
| 12       | 012443-40NS | Quarter-Turn Eterna Cartridge w/ Spring Check, RTC |
| 13       | 002521-45NS | 4-Arm Handle (New Style)                           |
| 14       | 000925-45   | Lab Handle Screw                                   |
| 15       | 001193-19NS | Red Button Index, Press-in                         |
| 16       | B-0096-H    | 96" Flexible Stainless Steel Hose                  |
| 17       | B-0166      | Wall Hook w/ Mounting Hardware                     |

**Product Specifications:**

Wall Mount Single Faucet, Quarter-Turn Eterna Cartridge w/ Spring Check, 96" Flexible Stainless Steel Hose w/ 1.15 GPM Angled Spray Valve, 4-Arm Handle, Vacuum Breaker, Wall Hook & 1/2" NPT Female Inlet

**Product Compliance:**

ASME A112.18.1 / CSA B125.1  
NSF 61 - Section 9  
NSF 372 (Low Lead Content)  
2019 DOE PRSV - Class II  
CSA B64.8 (VB)