



T&S BRASS AND BRONZE WORKS, INC.

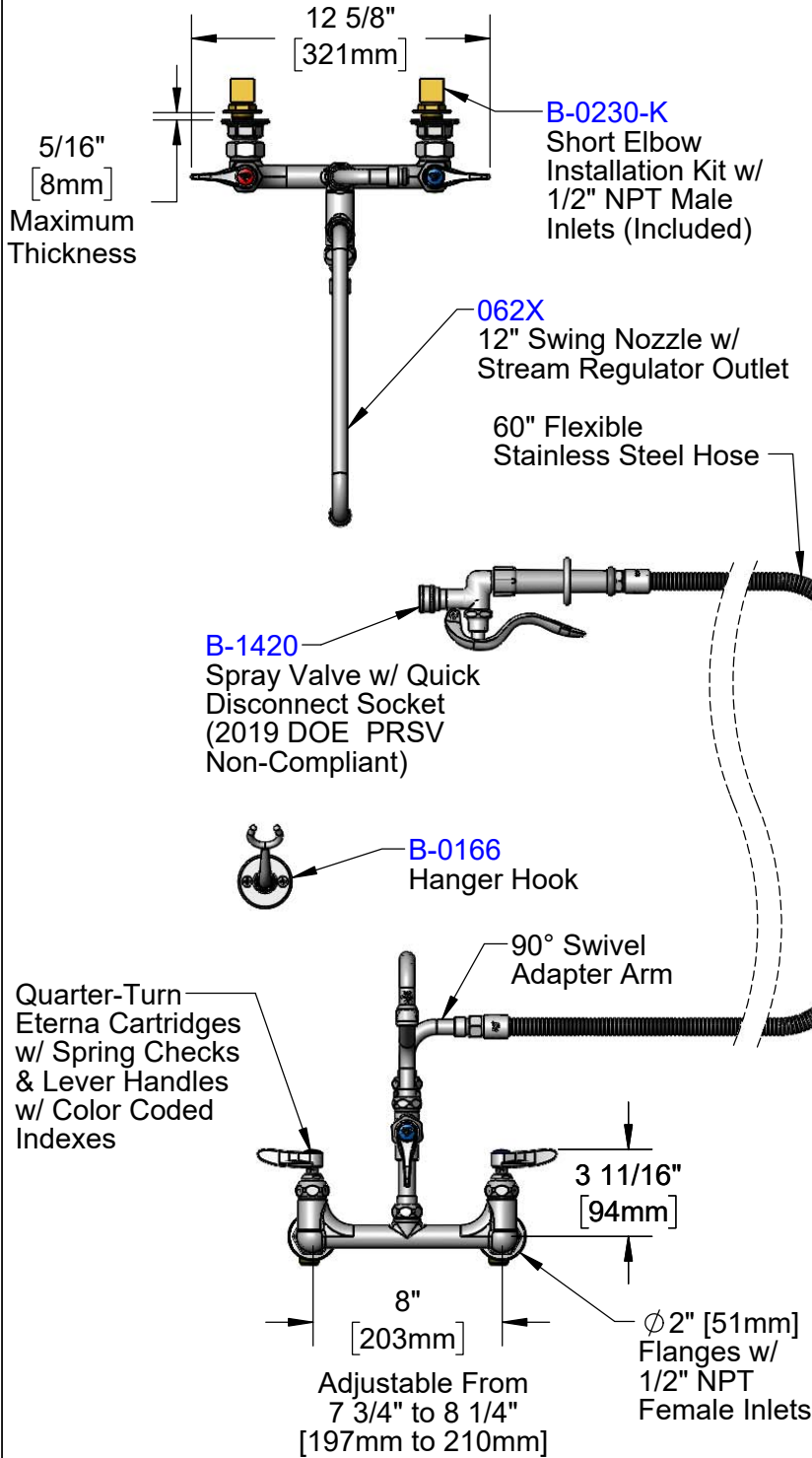
2 Saddleback Cove / P.O. Box 1088
Travelers Rest, SC 29690

Model No.

B-0175-60H-QDSV

Item No.

Travelers Rest, SC: 800-476-4103 • Simi Valley, CA: 800-423-0150 • Fax: 864-834-3518 • www.tsbrass.com



This Space for Architect/Engineer Approval

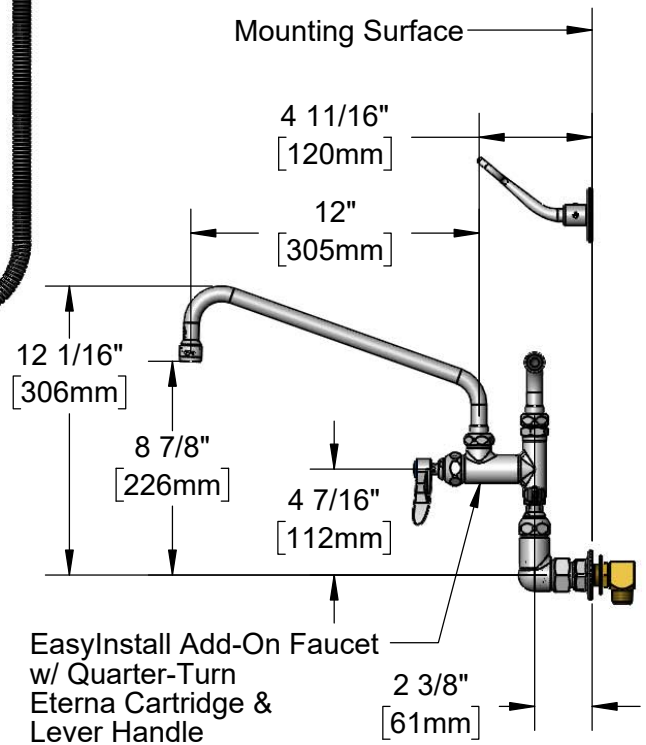
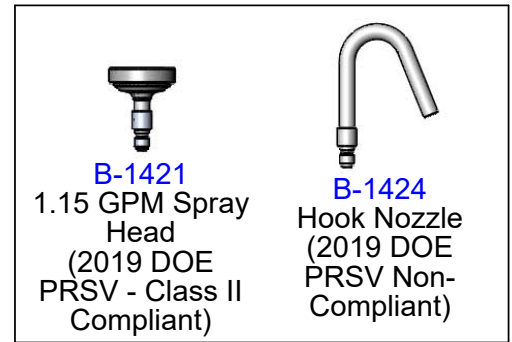
Job Name _____ Date _____

Model Specified _____ Quantity _____

Customer/Wholesaler _____

Contractor _____

Architect/Engineer _____



Product Specifications:

8" Wall Mount Mixing Faucet, Quarter-Turn Eterna Cartridges w/ Spring Checks, Lever Handles, Add-On Faucet w/ 12" Swing Nozzle, 60" Flexible Stainless Steel Hose, 90° Swivel Adapter Arm, Quick Disconnect Spray Valve w/ Spray Accessories, Wall Hook & 1/2" NPT Short Elbow Installation Kit

Product Compliance:

ASME A112.18.1 / CSA B125.1
NSF 61 - Section 9
NSF 372 (Low Lead Content)
2019 DOE PRSV -Class II, **B-1421** Only
2019 DOE PRSV Non-Compliant

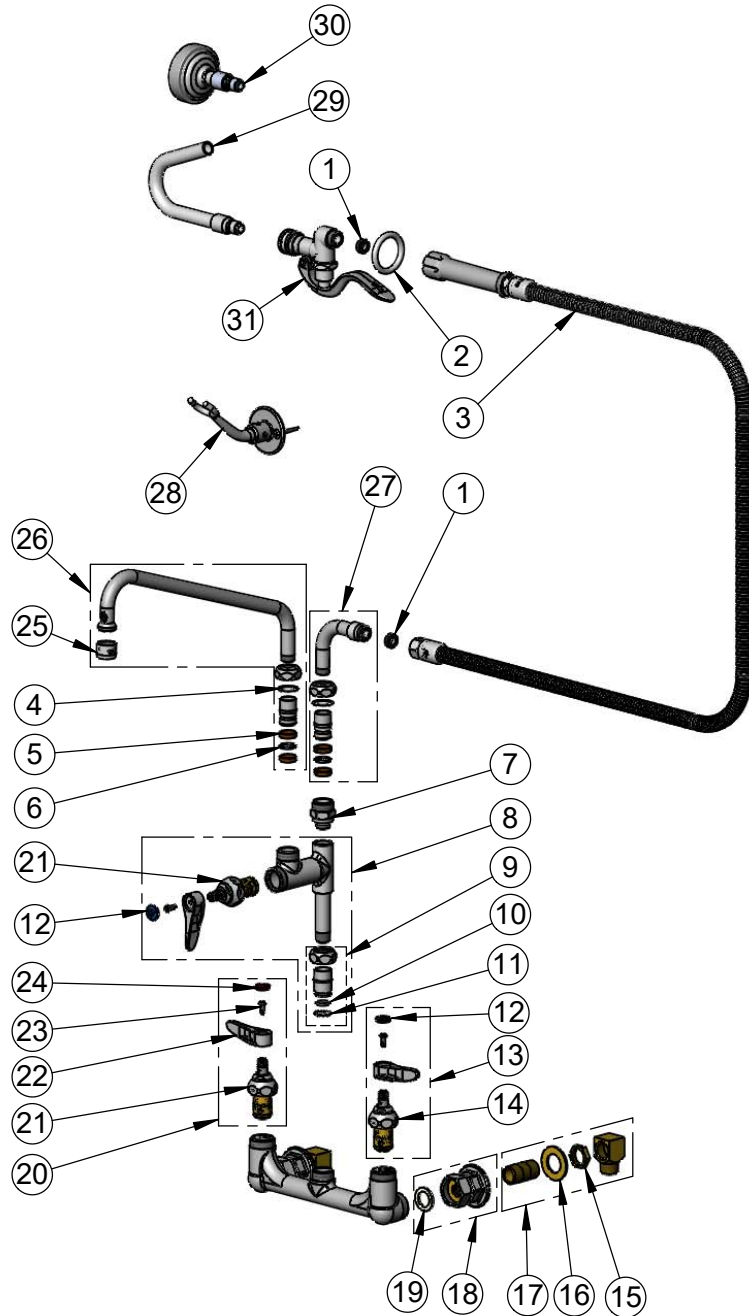


T&S BRASS AND BRONZE WORKS, INC.
 2 Saddleback Cove / P.O. Box 1088
 Travelers Rest, SC 29690

Model No.
B-0175-60H-QDSV

Item No.

Travelers Rest, SC: 800-476-4103 • Simi Valley, CA: 800-423-0150 • Fax: 864-834-3518 • www.tsbrass.com



ITEM NO.	SALES NO.	DESCRIPTION
1	010476-45	#27 Washer
2	000907-45	Spray Valve Hold Down Ring
3	B-0060-H	60" Flexible Stainless Steel Hose
4	009538-45	Swivel Washer
5	011429-45	Swivel Sleeves (2)
6	001074-45	O-Ring
7	B-0412	Rigid to Swivel Adapter
8	B-0155-LNEZ	EasyInstall Add-On Faucet -Less Nozzle
9	EZ-K	EasyInstall Kit
10	001065-45	O-Ring
11	014200-45	Star Washer, Anti-Rotation
12	018506-19NS	Blue Button Index, Press-in
13	002711-40NS	Quarter-Turn Eterna Cartridge w/ Spring Check, Handle, Blue Index & Screw, LTC
14	012442-40NS	Quarter-Turn Eterna Cartridge w/ Spring Check, LTC
15	002954-45	Shank Lock Nut
16	000999-45	Brass Lock Washer
17	B-0230-K	Short Elbow Installation Kit (2)
18	00AA	1/2" NPT Female Eccentric Flange
19	001019-45	Coupling Nut Washer
20	002712-40NS	Quarter-Turn Eterna Cartridge w/ Spring Check, Handle, Red Index & Screw, RTC
21	012443-40NS	Quarter-Turn Eterna Cartridge w/ Spring Check, RTC
22	001638-45NS	Lever Handle (New Style)
23	000925-45	Lab Handle Screw
24	001193-19NS	Red Button Index, Press-in
25	B-PT	Full Flow Stream Regulator, 55/64-27
26	062X	12" Swing Nozzle
27	034A	90° Swivel Adapter Arm
28	B-0166	Hanger Hook
29	B-1424	Hook Nozzle
30	B-1421	1.15 GPM Spray Head
31	B-1420	1.15 GPM Spray Valve

Product Specifications:

8" Wall Mount Mixing Faucet, Quarter-Turn Eterna Cartridges w/ Spring Checks, Lever Handles, Add-On Faucet w/ 12" Swing Nozzle, 60" Flexible Stainless Steel Hose, 90° Swivel Adapter Arm, Quick Disconnect Spray Valve w/ Spray Accessories, Wall Hook & 1/2" NPT Short Elbow Installation Kit

Product Compliance:

ASME A112.18.1 / CSA B125.1
 NSF 61 - Section 9
 NSF 372 (Low Lead Content)
 2019 DOE PRSV -Class II, B-1421 Only
 2019 DOE PRSV Non-Compliant