



T&S BRASS AND BRONZE WORKS, INC.

2 Saddleback Cove / P.O. Box 1088
Travelers Rest, SC 29690

Model No.

B-0712-VF05-4DP

Item No.

Travelers Rest, SC: 800-476-4103 • Simi Valley, CA: 800-423-0150 • Fax: 864-834-3518 • www.tsbrass.com



ADA Compliant

This Space for Architect/Engineer Approval

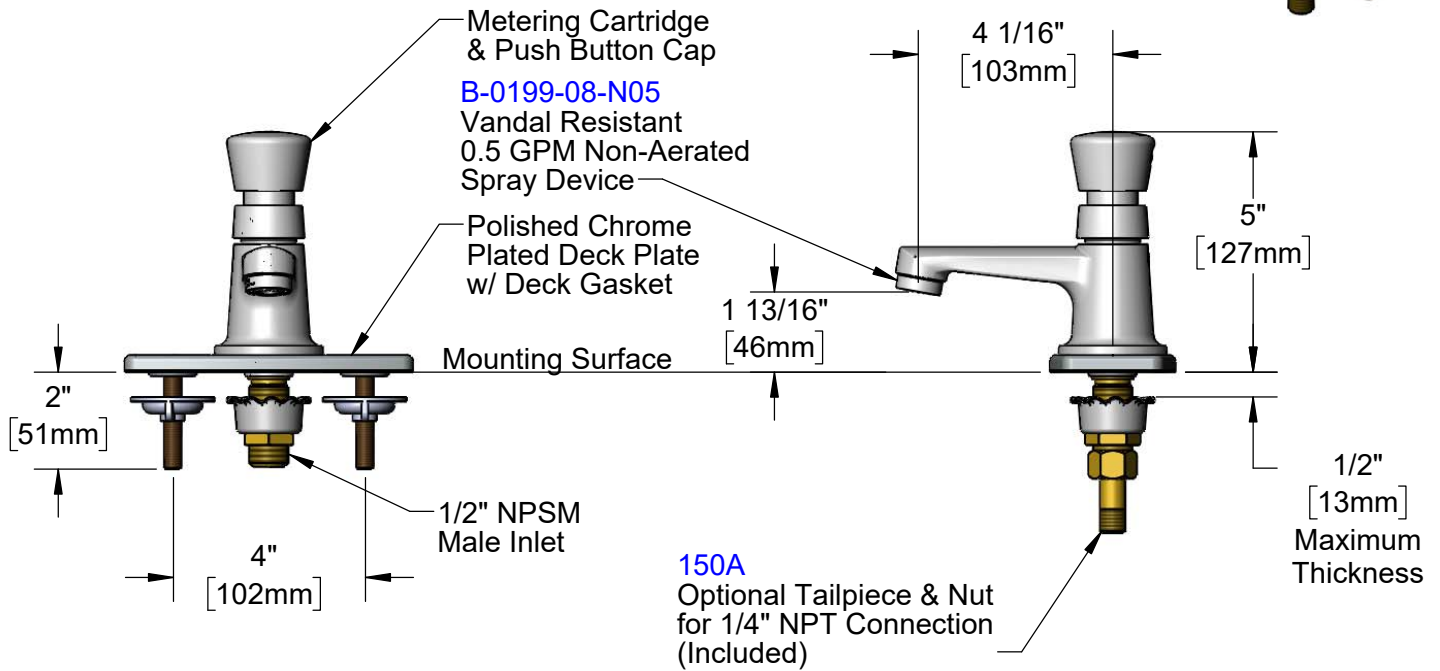
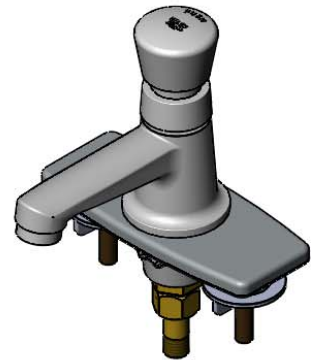
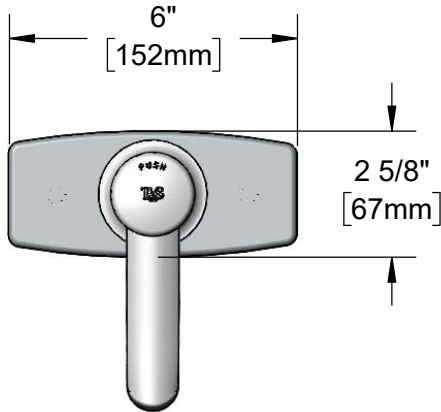
Job Name _____ Date _____

Model Specified _____ Quantity _____

Customer/Wholesaler _____

Contractor _____

Architect/Engineer _____



Spanner Bit for Access to Metering Adjustment Included. (Metering Adjustment Requires 3/32" Hex Key)



Rough-In Requirement:
(3) ϕ 1 11/8" [29mm] Mounting Holes

Product Specifications:
Single Temperature Basin Faucet, Push Button Metering Cartridge, VR 0.5 GPM Non-Aerated Spray Device, 4" Deck Plate & 1/2" NPSM Male Inlet

Product Compliance:
ASME A112.18.1 / CSA B125.1
NSF 61 - Section 9
NSF 372 (Low Lead Content)
ANSI A117.1 (ADA)



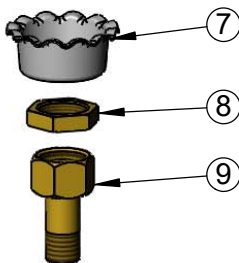
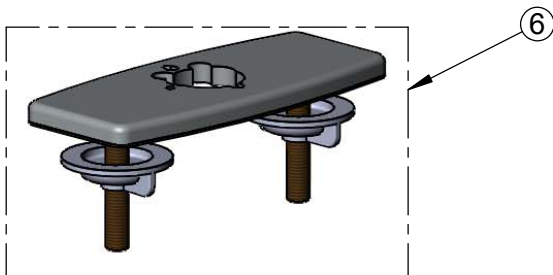
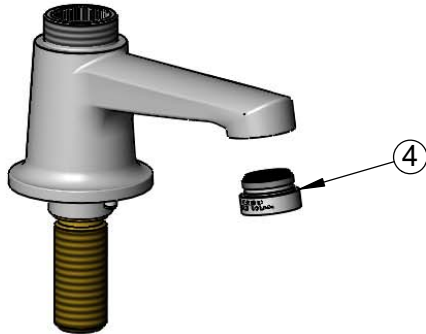
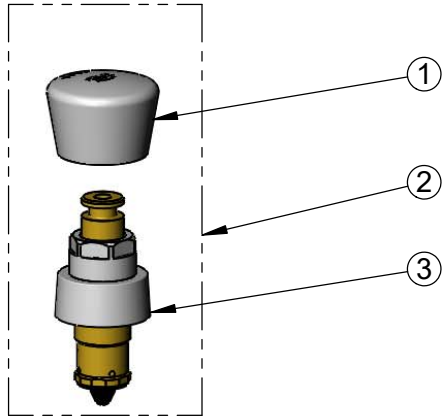
T&S BRASS AND BRONZE WORKS, INC.
 2 Saddleback Cove / P.O. Box 1088
 Travelers Rest, SC 29690

Model No.
B-0712-VF05-4DP

Item No.

Travelers Rest, SC: 800-476-4103 • Simi Valley, CA: 800-423-0150 • Fax: 864-834-3518 • www.tsbrass.com

ITEM NO.	SALES NO.	DESCRIPTION
1	014193-40	Blank Push Button Cap
2	238AB	Metering Cartridge w/ Blank Push Button Cap & Spanner Bit
3	238A	Push Button Metering Cartridge
4	B-0199-08-N05	0.5 GPM VR Spray Device, 13/16-27 Male
5	020231-20	Deckplate Spacer
6	013433-40	4" Universal Deck Plate, Gasket & Mounting Hardware
7	001000-45	Rosette Washer
8	002954-45	Shank Lock Nut
9	150A	1/4" NPT Tailpiece & Nut



014734-45
 Spanner Bit for
 Vandal Resistant Screw



015425-45
 Vandal Resistant Key
 (Included w/ Spray Device)

Product Specifications:
 Single Temperature Basin Faucet, Push Button Metering Cartridge, VR 0.5
 GPM Non-Aerated Spray Device, 4" Deck Plate & 1/2" NPSM Male Inlet

Product Compliance:
 ASME A112.18.1 / CSA B125.1
 NSF 61 - Section 9
 NSF 372 (Low Lead Content)
 ANSI A117.1 (ADA)