



# T&S BRASS AND BRONZE WORKS, INC.

2 Saddleback Cove / P.O. Box 1088  
Travelers Rest, SC 29690

Model No.

**B-0712-VF05-PA**

Item No.

Travelers Rest, SC: 800-476-4103 • Simi Valley, CA: 800-423-0150 • Fax: 864-834-3518 • www.tsbrass.com



**ADA Compliant**

This Space for Architect/Engineer Approval

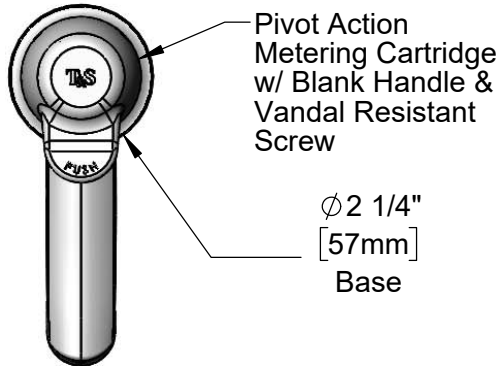
Job Name \_\_\_\_\_ Date \_\_\_\_\_

Model Specified \_\_\_\_\_ Quantity \_\_\_\_\_

Customer/Wholesaler \_\_\_\_\_

Contractor \_\_\_\_\_

Architect/Engineer \_\_\_\_\_



Pivot Action  
Metering Cartridge  
w/ Blank Handle &  
Vandal Resistant  
Screw

Ø 2 1/4"  
[57mm]  
Base



**B-0199-08-N05**  
VR 0.5 GPM  
Non-Aerated  
Spray Device

Loosen Vandal Resistant  
Screw (Do Not Remove).  
Flip Handle Up to Access  
Metering Adjustment.  
(Metering Adjustment  
Requires 3/32" Hex Key)



Ø 1 3/4"  
[44mm]  
Base

Mounting Surface

1 5/16"  
[33mm]

4 1/16"  
[103mm]

4 5/8"  
[118mm]

2 5/16"  
[59mm]

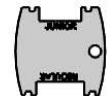
1/2" NPSM  
Male Inlet

**150A**  
Optional Tailpiece  
& Nut for 1/4" NPT  
Connection (Included)

13/16"  
[21mm]  
Maximum  
Thickness



Spanner Bit for Access  
to Metering Adjustment  
(Included)



Vandal Resistant Key  
(Included)

Rough-In Requirement:  
Ø 1 1/8" [29mm] Mounting Hole

Product Specifications:  
Single Hole, Single Temperature Deck Mount Sill Faucet, Pivot Action  
Metering Cartridge, VR 0.5 GPM Non-Aerated Spray Device &  
1/2" NPSM Male Inlet

Product Compliance:  
ASME A112.18.1 / CSA B125.1  
NSF 61 - Section 9  
NSF 372 (Low Lead Content)  
ANSI A117.1 (ADA)



# T&S BRASS AND BRONZE WORKS, INC.

2 Saddleback Cove / P.O. Box 1088  
Travelers Rest, SC 29690

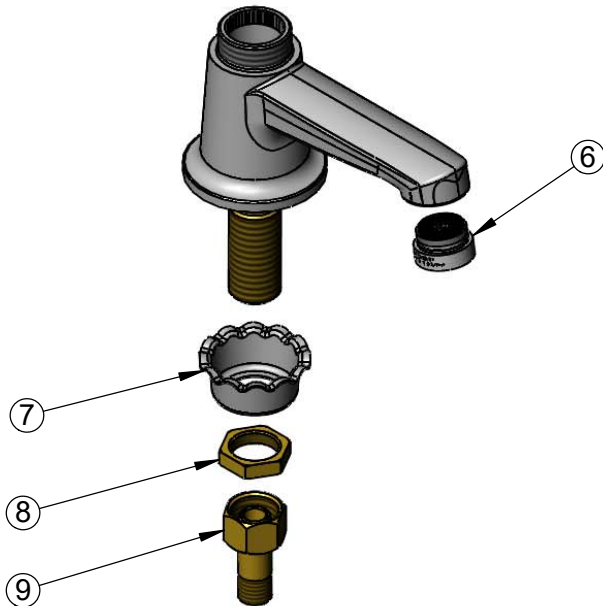
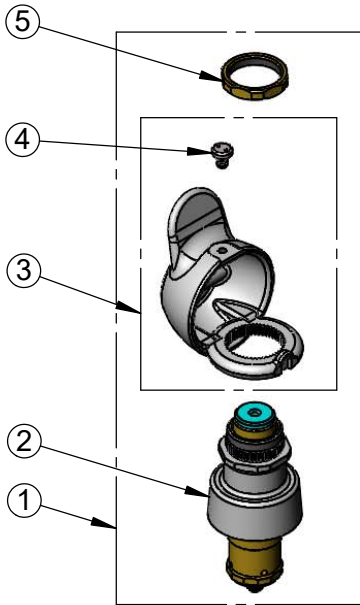
Model No.

**B-0712-VF05-PA**

Item No.

Travelers Rest, SC: 800-476-4103 • Simi Valley, CA: 800-423-0150 • Fax: 864-834-3518 • www.tsbrass.com

ITEM NO.	SALES NO.	DESCRIPTION
1	238AB-PA	Pivot Action Metering Cartridge w/ Blank PA Handle & Spanner Bit
2	238A-PA	Pivot Action Metering Cartridge w/ Retaining Nut
3	PA-B	Blank Pivot Action Handle w/ Spanner Bit
4	016654-45	Vandal Resistant SS Screw
5	PA-N	Retaining Nut
6	B-0199-08-N05	0.5 GPM VR Spray Device, 13/16-27 Male
7	001000-45	Rosette Washer
8	002954-45	Shank Lock Nut
9	150A	1/4" NPT Tailpiece & Nut



**Product Specifications:**

Single Hole, Single Temperature Deck Mount Sill Faucet, Pivot Action Metering Cartridge, VR 0.5 GPM Non-Aerated Spray Device & 1/2" NPSM Male Inlet

**Product Compliance:**

ASME A112.18.1 / CSA B125.1  
NSF 61 - Section 9  
NSF 372 (Low Lead Content)  
ANSI A117.1 (ADA)