

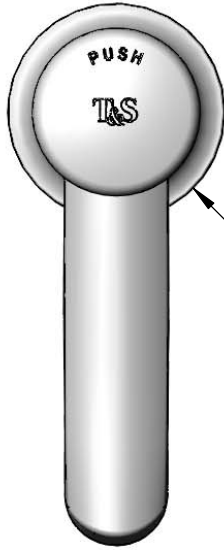


**T&S BRASS AND BRONZE WORKS, INC.**  
 2 Saddleback Cove / P.O. Box 1088  
 Travelers Rest, SC 29690

Model No.  
**B-0712-VF05**

Item No.

Travelers Rest, SC: 800-476-4103 • Simi Valley, CA: 800-423-0150 • Fax: 864-834-3518 • www.tsbrass.com



Ø 2 1/4"  
 [57mm]  
 Base



**ADA Compliant**

This Space for Architect/Engineer Approval

Job Name \_\_\_\_\_ Date \_\_\_\_\_

Model Specified \_\_\_\_\_ Quantity \_\_\_\_\_

Customer/Wholesaler \_\_\_\_\_

Contractor \_\_\_\_\_

Architect/Engineer \_\_\_\_\_



Spanner Bit for Access to  
 Metering Adjustment Included.  
 (Metering Adjustment Requires  
 3/32" Hex Key)



Push Button  
 Metering Cartridge

**B-0199-08-N05**  
 0.5 GPM  
 VR Non-Aerated  
 Spray Device

Mounting  
 Surface

2 5/16"  
 [59mm]

1/2" NPSM  
 Male Inlet

1 5/16"  
 [33mm]

4 1/16"  
 [103mm]

**150A**  
 Optional Tailpiece & Nut  
 For 1/4" NPT Connection  
 (Included)

4 5/8"  
 [118mm]

13/16"  
 [21mm]  
 Maximum  
 Thickness

Rough-In Requirement:  
 Ø 1 1/8" [29mm] Mounting Hole

Product Specifications:  
 Single Hole Single Temperature Deck Mount Basin Faucet, Push Button  
 Metering Cartridge, 0.5 GPM Non-Aerated Spray Device & 1/2" NPSM  
 Male Inlet

Product Compliance:  
 ASME A112.18.1 / CSA B125.1  
 NSF 61 - Section 9  
 NSF 372 (Low Lead Content)  
 ANSI A117.1 (ADA)



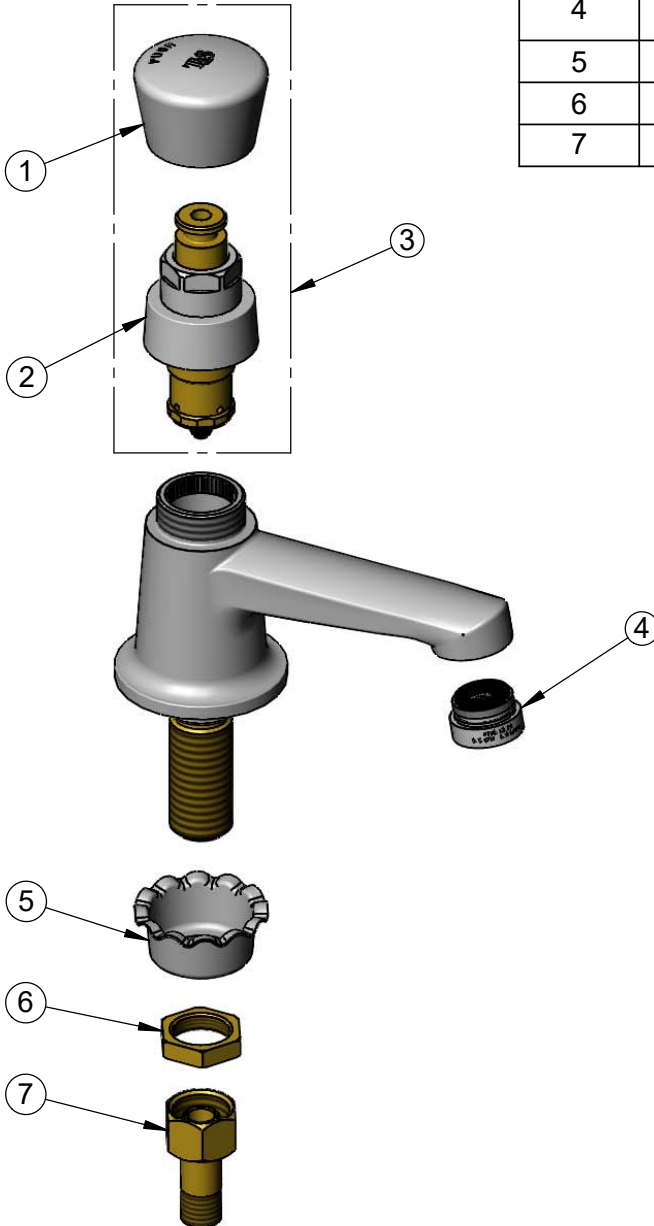
**T&S BRASS AND BRONZE WORKS, INC.**  
 2 Saddleback Cove / P.O. Box 1088  
 Travelers Rest, SC 29690

Model No.  
**B-0712-VF05**

Item No.

Travelers Rest, SC: 800-476-4103 • Simi Valley, CA: 800-423-0150 • Fax: 864-834-3518 • www.tsbrass.com

ITEM NO.	SALES NO.	DESCRIPTION
1	014193-40	Blank Push Button Cap w/ Spanner Bit
2	238A	Push Button Metering Cartridge
3	238AB	Metering Cartridge w/ Blank Push Button Cap & Spanner Bit
4	B-0199-08-N05	0.5 GPM VR Spray Device, 13/16-27 Male
5	001000-45	Rosette Washer
6	002954-45	Shank Lock Nut
7	150A	1/4" NPT Tailpiece & Nut



014734-45  
 #8 Spanner Bit



015425-45  
 Vandal Resistant Key

Product Specifications:

Single Hole Single Temperature Deck Mount Basin Faucet, Push Button Metering Cartridge, 0.5 GPM Non-Aerated Spray Device & 1/2" NPSM Male Inlet

Product Compliance:

ASME A112.18.1 / CSA B125.1  
 NSF 61 - Section 9  
 NSF 372 (Low Lead Content)  
 ANSI A117.1 (ADA)