



T&S BRASS AND BRONZE WORKS, INC.

2 Saddleback Cove / P.O. Box 1088
Travelers Rest, SC 29690

Model No.

B-0805-VR-F5-PA

Item No.

Travelers Rest, SC: 800-476-4103 • Simi Valley, CA: 800-423-0150 • Fax: 864-834-3518 • www.tsbrass.com



ADA Compliant

This Space for Architect/Engineer Approval

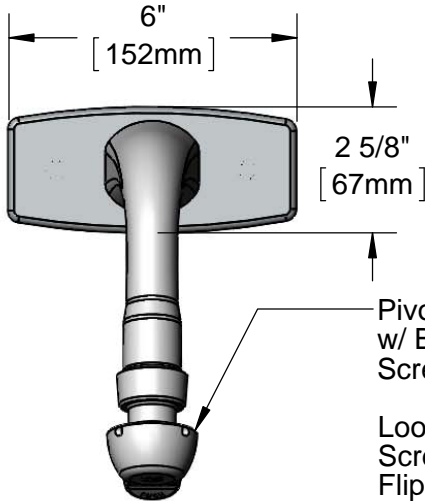
Job Name _____ Date _____

Model Specified _____ Quantity _____

Customer/Wholesaler _____

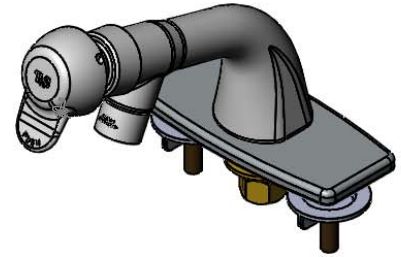
Contractor _____

Architect/Engineer _____



Pivot Action Metering Cartridge
w/ Blank Handle & Vandal Resistant
Screw

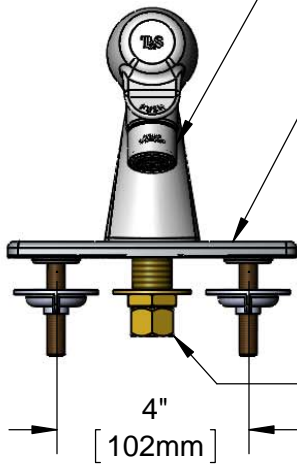
Loosen Vandal Resistant
Screw (Do Not Remove).
Flip Handle Up to Access
Metering Adjustment.
(Metering Adjustment
Requires 3/32" Hex Key)



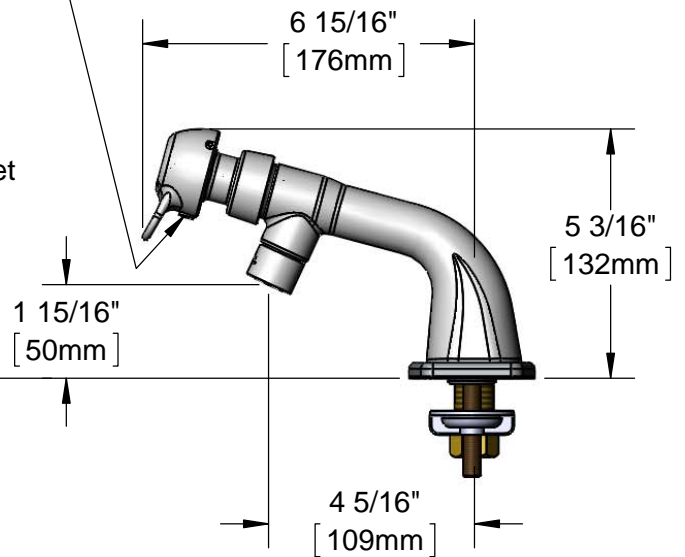
B-0199-07-N05
VR 0.5 GPM
Non-Aerated
Spray Device

Polished Chrome Plated
Deck Plate w/ Deck Gasket


3/4"
[19mm]
Maximum
Thickness




1/2" NPSM
Male Inlet w/
Coupling Nut



Rough-In Requirement:
Center Shank - ϕ 1" [25mm] Mounting Hole
Posts - (2) ϕ 1 1/8" [29mm] Mounting Holes

 Spanner Bit for Access
to Metering Adjustment
(Included)

 Vandal Resistant Key
(Included)

Product Specifications:

Single Temperature Metering Faucet, Pivot Action Metering Cartridge,
VR 0.5 GPM Non-Aerated Spray Device, Chrome Plated Forged
VR Deck Plate & 1/2" NPSM Male Inlet w/ Coupling Nut

Product Compliance:

ASME A112.18.1 / CSA B125.1
NSF 61 - Section 9
NSF 372 (Low Lead Content)
ANSI A117.1 (ADA)



T&S BRASS AND BRONZE WORKS, INC.

2 Saddleback Cove / P.O. Box 1088
Travelers Rest, SC 29690

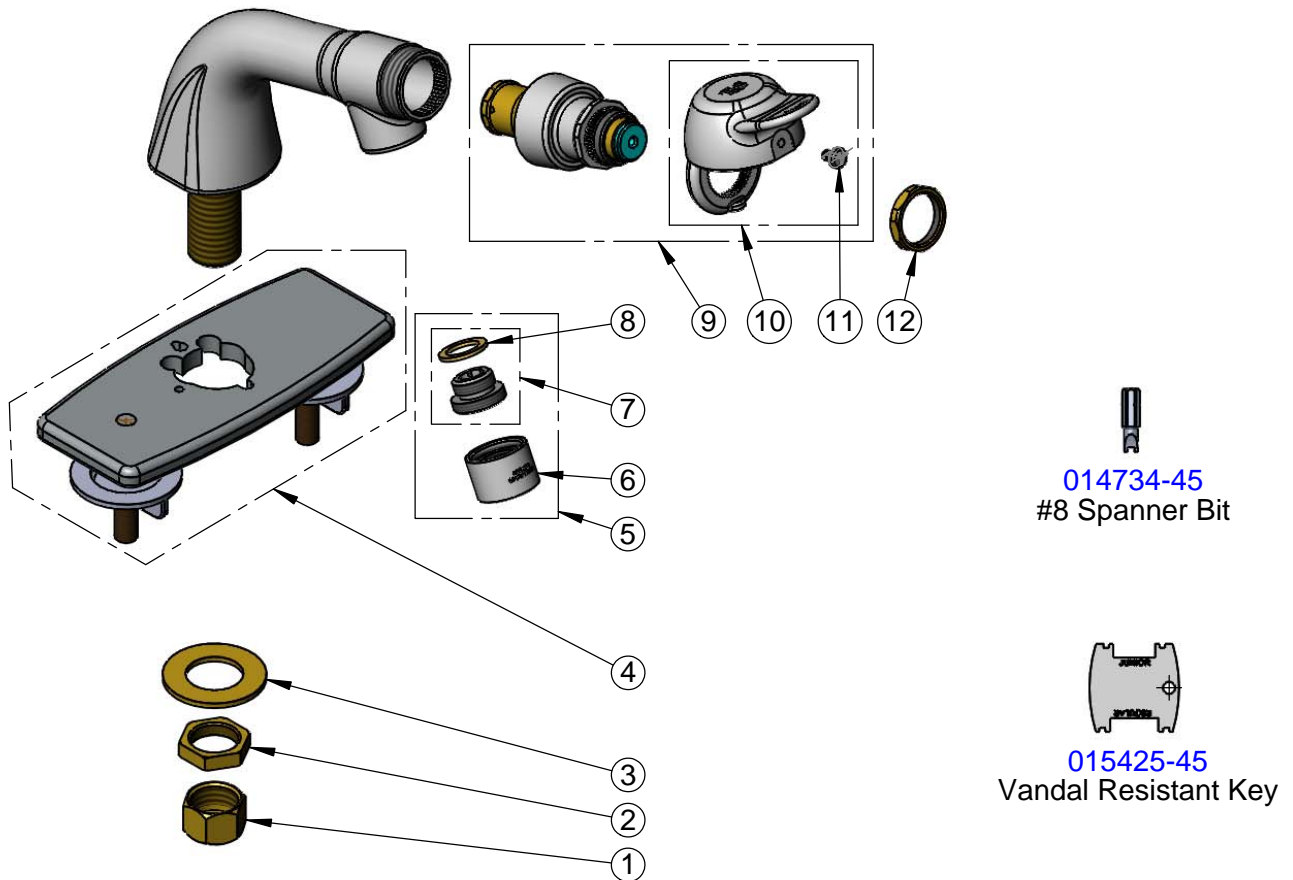
Model No.

B-0805-VR-F5-PA

Item No.

Travelers Rest, SC: 800-476-4103 • Simi Valley, CA: 800-423-0150 • Fax: 864-834-3518 • www.tsbrass.com

ITEM NO.	SALES NO.	DESCRIPTION
1	000958-20	Coupling Nut
2	002954-45	Shank Lock Nut
3	000999-45	Brass Lock Washer
4	013433-40	4" Universal Deck Plate, Gasket & Mounting Hardware
5	B-0199-07-N05	VR 0.5 GPM Non-Aerated Spray Device, 3/8" NPSM Male w/ Key
6	B-0199-06-N05	VR 0.5 GPM Non-Aerated Spray Device, 55/64-27 UN Female w/ Key
7	044A	3/8" to Aerator Adapter
8	001043-45	Washer
9	238AB-PA	Pivot Action Metering Cartridge w/ Blank PA Handle & Spanner Bit
10	PA-B	Blank Pivot Action Handle w/ Spanner Bit
11	016654-45	Vandal Resistant SS Screw
12	PA-N	Retaining Nut



Product Specifications:

Single Temperature Metering Faucet, Pivot Action Metering Cartridge, VR 0.5 GPM Non-Aerated Spray Device, Chrome Plated Forged VR Deck Plate & 1/2" NPSM Male Inlet w/ Coupling Nut

Product Compliance:

ASME A112.18.1 / CSA B125.1
NSF 61 - Section 9
NSF 372 (Low Lead Content)
ANSI A117.1 (ADA)