



**T&S BRASS AND BRONZE WORKS, INC.**

2 Saddleback Cove / P.O. Box 1088  
Travelers Rest, SC 29690

Model No.

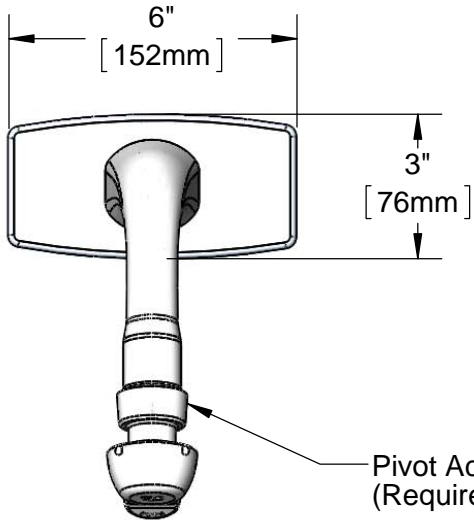
**B-0805-VR-PA**

Item No.

Travelers Rest, SC: 800-476-4103 • Simi Valley, CA: 800-423-0150 • Fax: 864-834-3518 • www.tsbrass.com



**ADA Compliant**



Pivot Action Metering Cartridge  
(Requires 3/32" Hex Key for Adjustment)

This Space for Architect/Engineer Approval

Job Name \_\_\_\_\_ Date \_\_\_\_\_

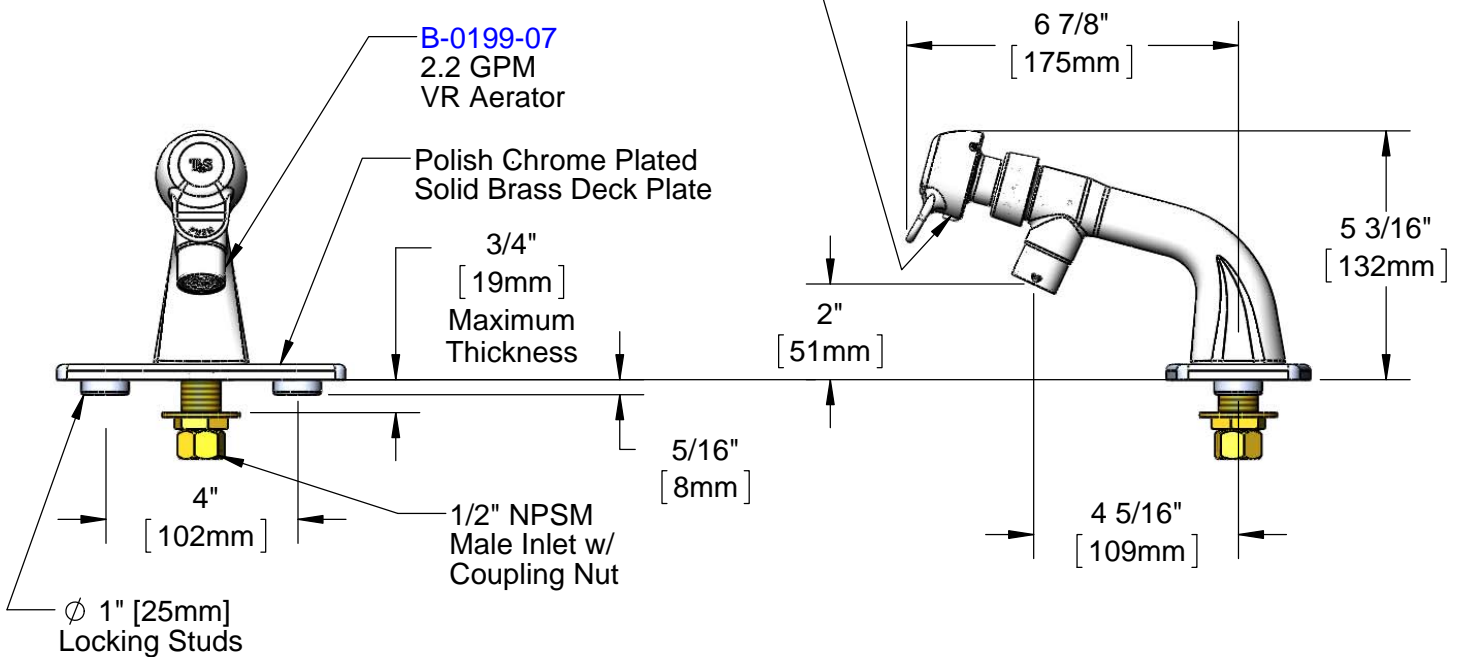
Model Specified \_\_\_\_\_ Quantity \_\_\_\_\_

Customer/Wholesaler \_\_\_\_\_

Contractor \_\_\_\_\_

Architect/Engineer \_\_\_\_\_

Loosen Vandal Resistant  
Screw (Do Not Remove)  
and Flip Handle Up to  
Access Metering Adjustment



**B-0199-07**  
2.2 GPM  
VR Aerator

Polish Chrome Plated  
Solid Brass Deck Plate

3/4"  
[19mm]  
Maximum  
Thickness

1/2" NPSM  
Male Inlet w/  
Coupling Nut

Ø 1" [25mm]  
Locking Studs

**Rough-In Requirement:**  
Center Shank- Ø 1 1/4" [25mm] Mounting Hole  
Posts-(2) Ø 1 1/8" [29mm] Mounting Holes

Product Specifications:  
Single Temperature Metering Faucet w/ 1/2" NPSM Male  
Shank, Pivot Action Metering Cartridge, 2.2 GPM  
VR Aerator and Chrome Plated Forged VR Deck Plate

Drawn

**KJG**

Checked

**DHL**

Approved

**JHB**

Scale:

**1:4**

Date:

**03/18/13**



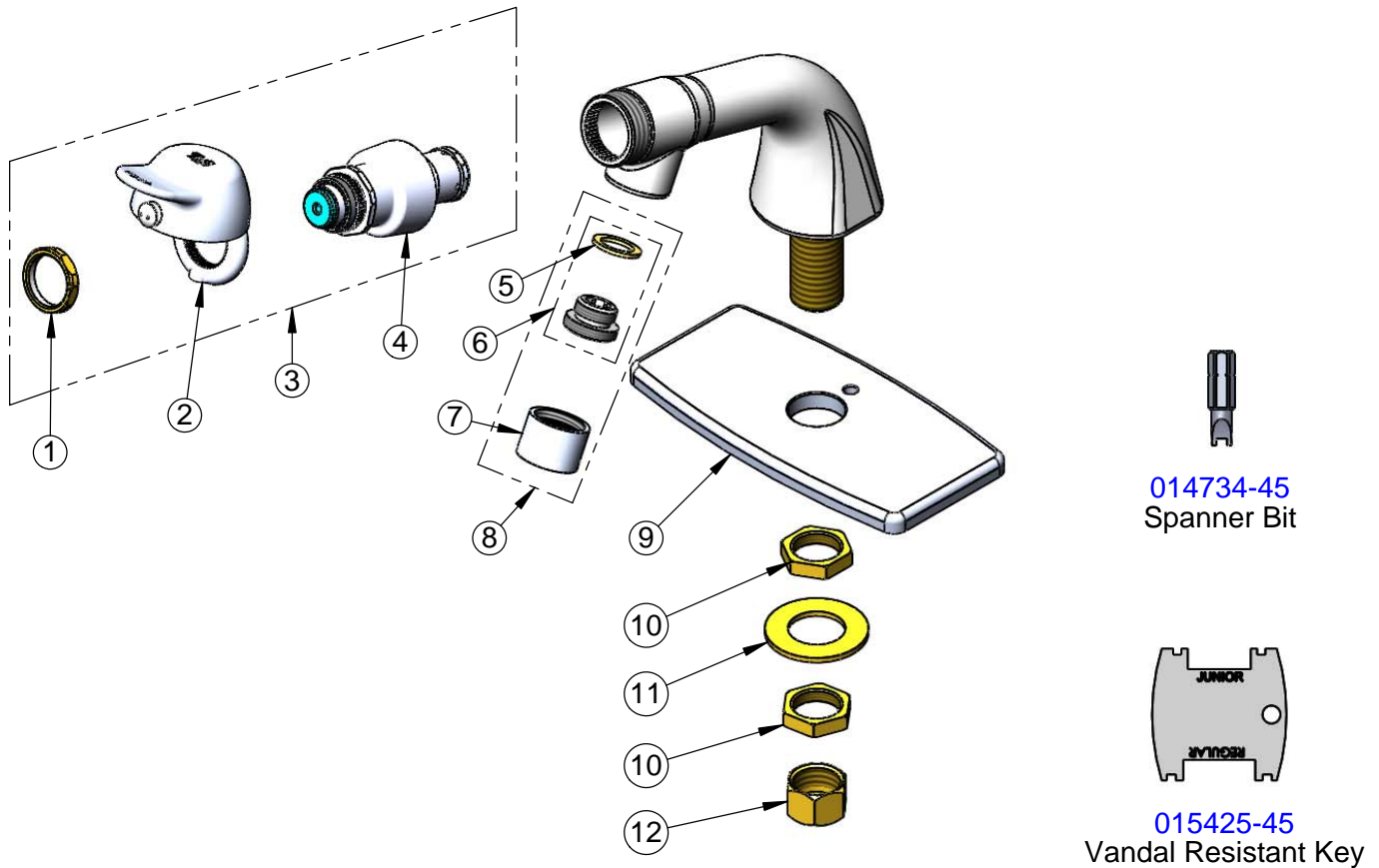
**T&S BRASS AND BRONZE WORKS, INC.**  
 2 Saddleback Cove / P.O. Box 1088  
 Travelers Rest, SC 29690

Model No.  
**B-0805-VR-PA**

Item No.

Travelers Rest, SC: 800-476-4103 • Simi Valley, CA: 800-423-0150 • Fax: 864-834-3518 • www.tsbrass.com

ITEM NO.	SALES NO.	DESCRIPTION
1	PA-N	Retaining Nut
2	PA-B	Blank Pivot Action Handle w/ Retaining Nut & Spanner Bit
3	238AB-PA	Pivot Action Metering Cartridge w/ Blank PA Handle & Spanner Bit
4	238A-PA	Pivot Action Metering Cartridge w/ Retaining Nut
5	001043-45	Washer
6	044A	3/8" to Aerator Adapter
7	B-0199-06	VR 2.2 GPM Aerator, 55/64"-27 UN Female w/ Key
8	B-0199-07	VR 2.2 GPM Aerator, 3/8" NPSM Male w/ Key
9	013657-40	Forged Deck Plate
10	002954-45	Shank Lock Nut
11	000999-45	Brass Lock Washer
12	000958-20	Coupling Nut



Product Specifications:  
 Single Temperature Metering Faucet w/ 1/2" NPSM Male  
 Shank, Pivot Action Metering Cartridge, 2.2 GPM  
 VR Aerator and Chrome Plated Forged VR Deck Plate

Drawn <b>KJG</b>	Checked <b>DHL</b>	Approved <b>JHB</b>
Scale: <b>NTS</b>		Date: <b>03/18/13</b>