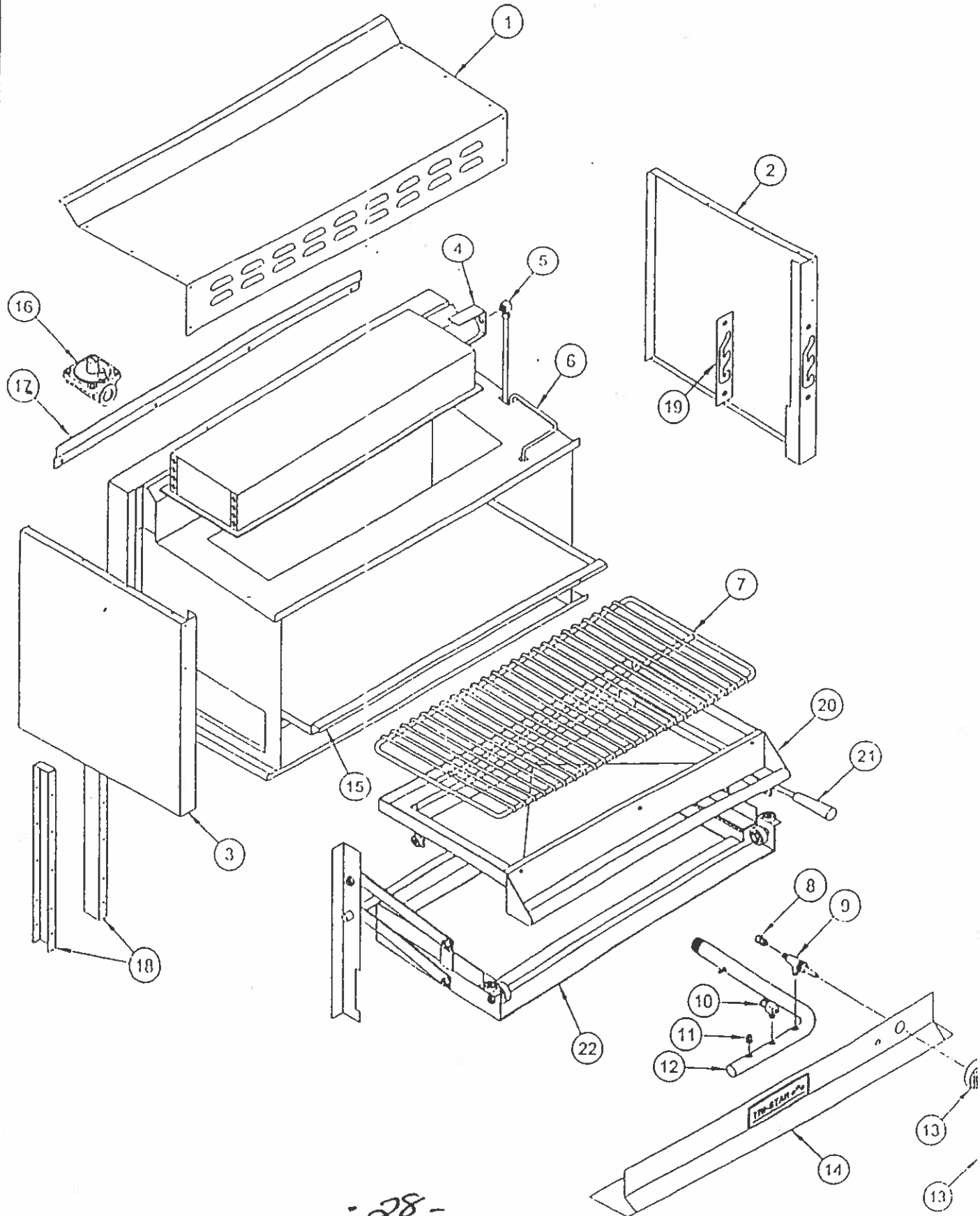


30

TSSB TRI-STAR - SALAMANDER BROILER



31

TSSB
TRI-STAR – SALAMANDER BROILER

ITEM NO.	PART NO.	DESCRIPTION
1	TS-14001	36" FRONT, TOP PANEL
2	TS-14028	SIDE PANEL – R/H WITH HANDLE CUTOUT
3	TS-14010	SIDE PANEL – L/H
4	TS-1040	INFRA-RED BURNER – LARGE 8" x 27-1/2" (35,000 BTU)
5	TS-1700-36C	ORIFICE SPUD - NAT # 36 – (35,000 BTU)
	TS-1700-50C	ORIFICE SPUD – LP # 50 – (35,000 BTU)
6	TS-1145	PILOT TIP ASSY
7	TS-2033	36" RACK (SALAMANDER ONLY)
8	TS-1626	ADAPTER FITTING (3/8-27UNS-2A x 3/8 CC) STRAIGHT
9	TS-1610	GAS VALVE
10	TS-1609	PILOT VALVE (1/8 NPT x 3/16 CC x 90°)
	TS-1630	FERRULE – 3/16 CC
	TS-1636	COMPRESSION FITTING – 3/16 CC
11	TS-1013	PLUG -1/8 NPT
12	TS-14040	36" MANIFOLD PIPE
13	TS-2720	KNOB – GAS VALVE (3 STAR PLASTIC)
	TS-27051	KNOB – GAS VALVE (CHROME W/SET SCREW)
14	TS-14006	36" CONTROL PANEL
15	TS-14036	36" CRUMB TRAY
16	TS-1050	REGULATOR (NAT)
	TS-1051	REGULATOR (LP)
17	TS-14056	WALL MOUNT KIT
18	TS-14060	RANGE MOUNT KIT (ON TOP OF RANGE)
19	TS-17035	PLATE, HANDLE
20	TS-17013	RACK SUPPORT FRAME W/ HANDLE
21	TS-1014	HANDLE
22	TS-17021	CARRIAGE FRAME W/A (COMPLETED)