

Manual load units

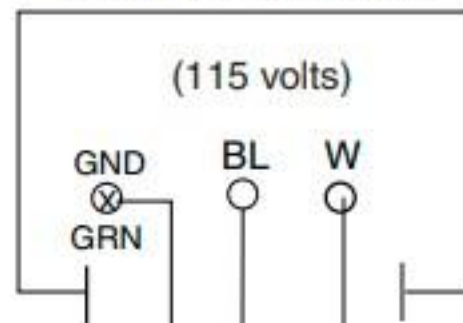
IMPORTANT

Field wiring diagram is intended to aid electrician or technician in understanding how equipment works. All field wiring must be installed in accordance with NEC and local electrical codes.

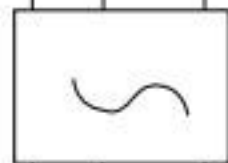
LEGEND

- Wirenut field connections
- ⊗ Equipment ground
- BL - black
- W - white
- GRN - green

Electric power source



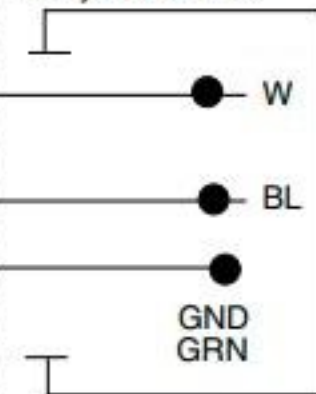
Standard electrical - 115V, 1 Ph, 60Hz,
max. fuse size 15 amps



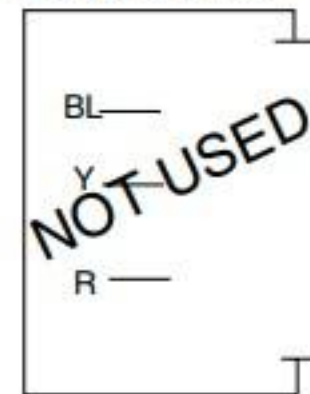
15 amp fused
disconnect

U155 dispenser

Left junction box



Right junction box



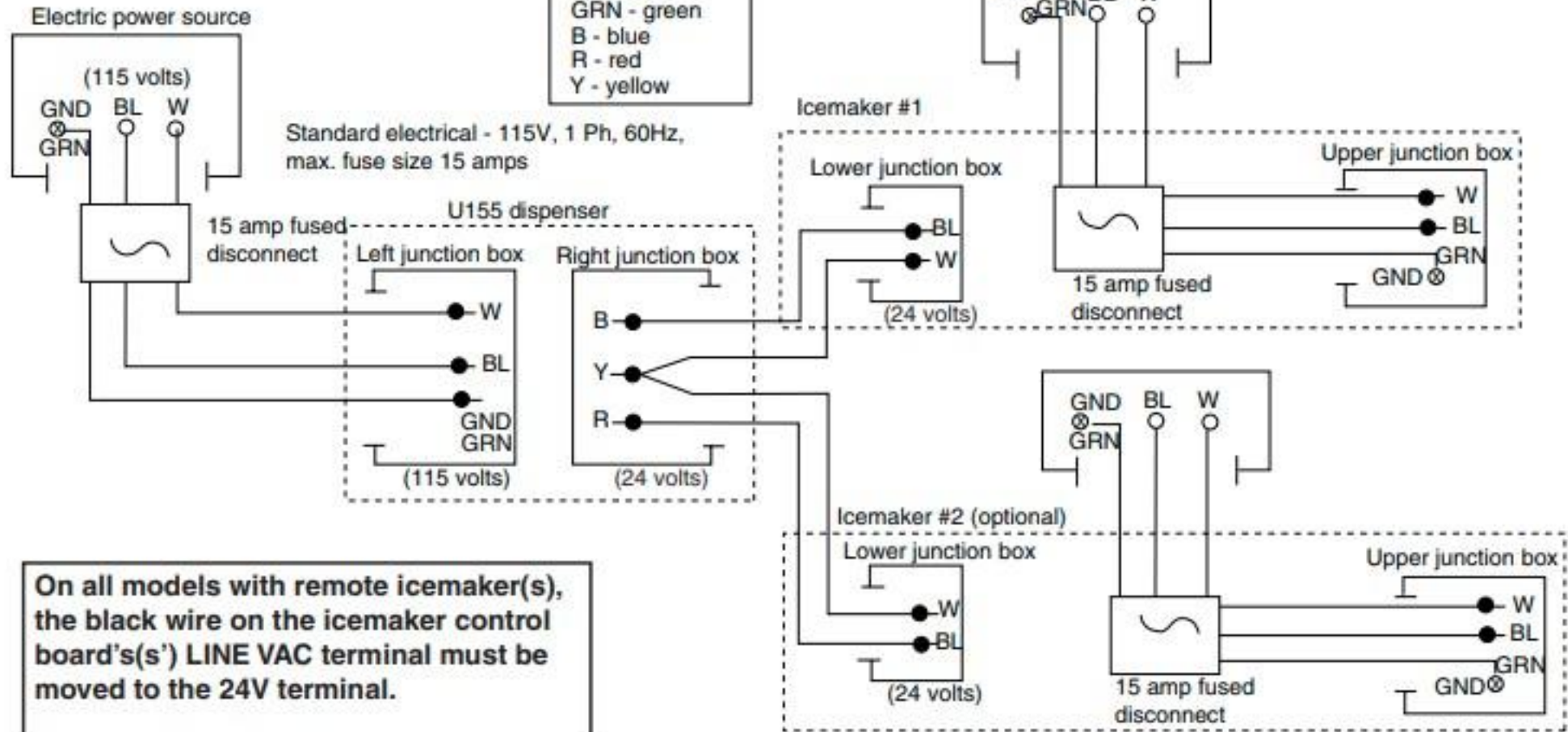
Automatic load units

IMPORTANT

Field wiring diagram is intended to aid electrician or technician in understanding how equipment works. All field wiring must be installed in accordance with NEC and local electrical codes.

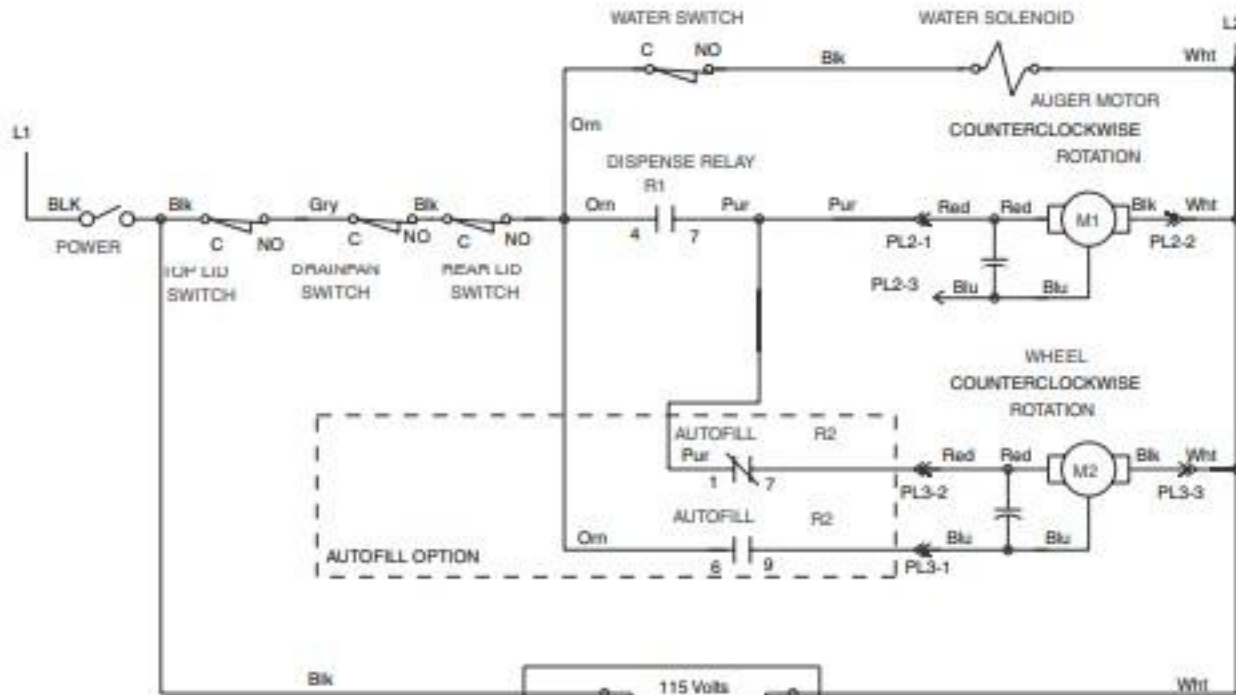
LEGEND

- Wirenut field connections
- ⊗ Equipment ground
- GND - ground
- BL - black
- W - white
- GRN - green
- B - blue
- R - red
- Y - yellow



On all models with remote icemaker(s), the black wire on the icemaker control board's(s') LINE VAC terminal must be moved to the 24V terminal.

Right hand unit



Left hand unit

