

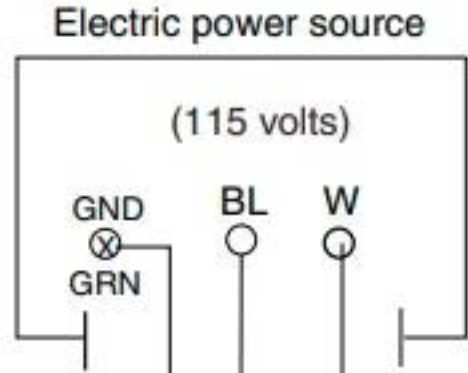
# Manual load units

## IMPORTANT

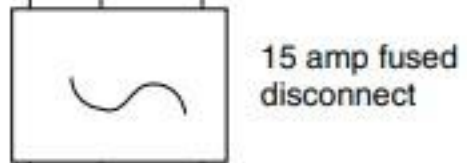
Field wiring diagram is intended to aid electrician or technician in understanding how equipment works. All field wiring must be installed in accordance with NEC and local electrical codes.

### LEGEND

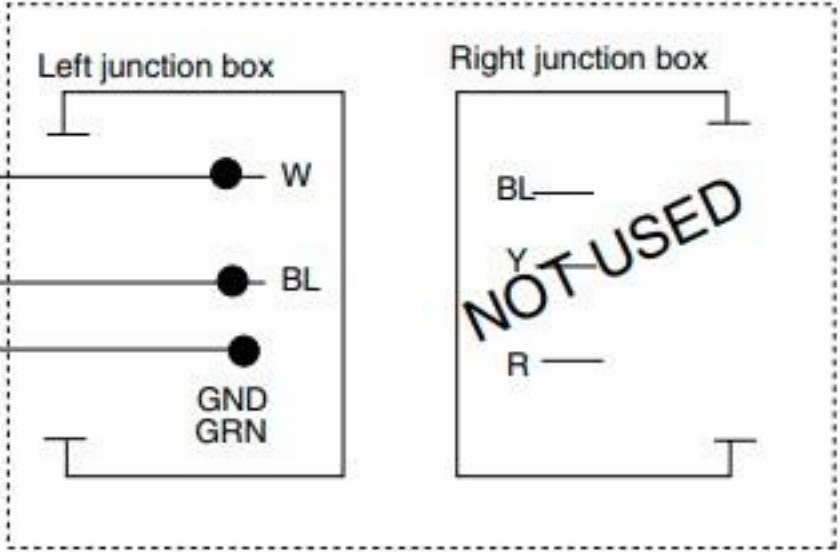
- Wirenut field connections
- ⊗ Equipment ground
- BL - black
- W - white
- GRN - green



Standard electrical - 115V, 1 Ph, 60Hz, max. fuse size 15 amps



## U155 dispenser



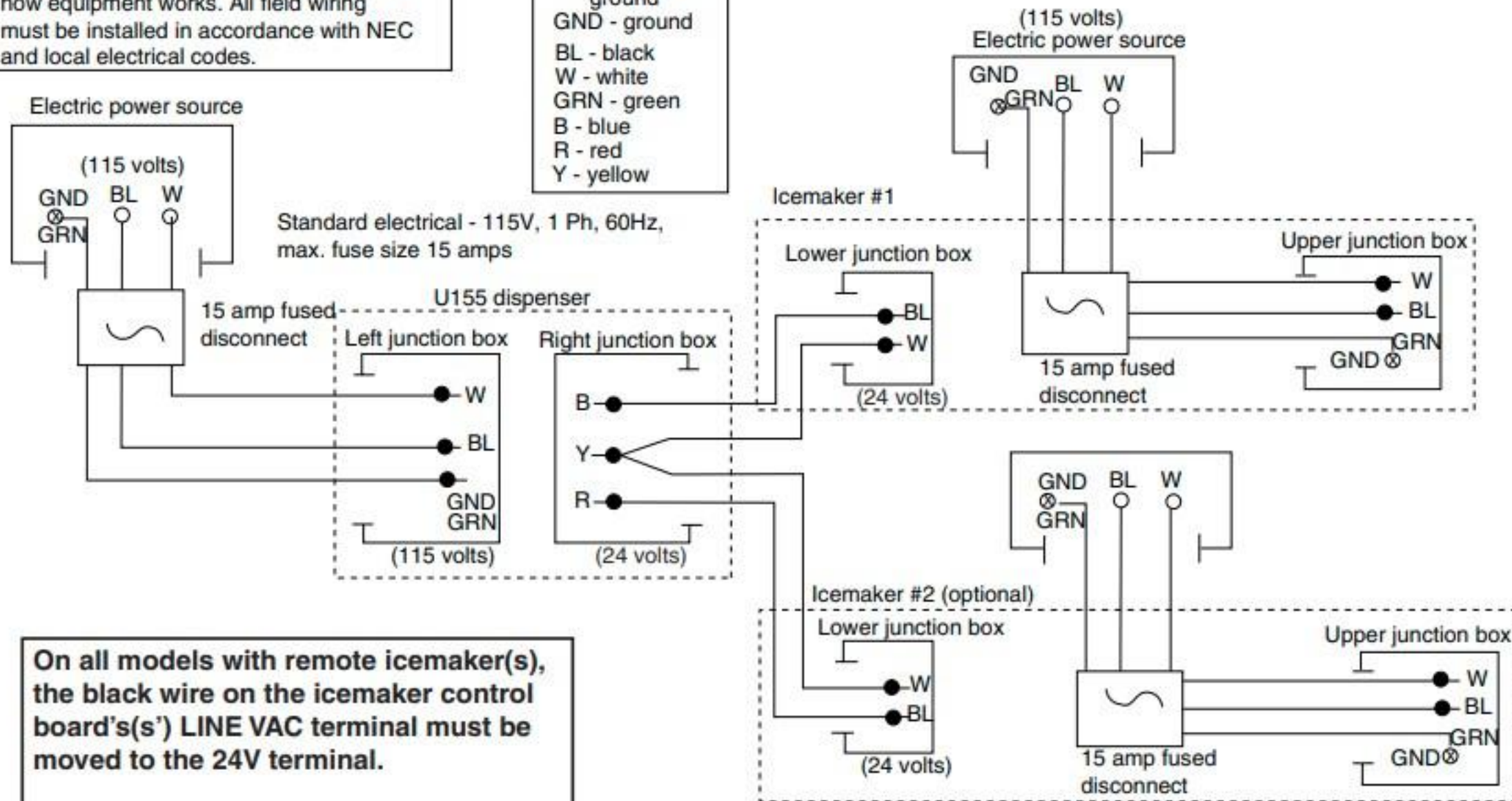
# Automatic load units

## IMPORTANT

Field wiring diagram is intended to aid electrician or technician in understanding how equipment works. All field wiring must be installed in accordance with NEC and local electrical codes.

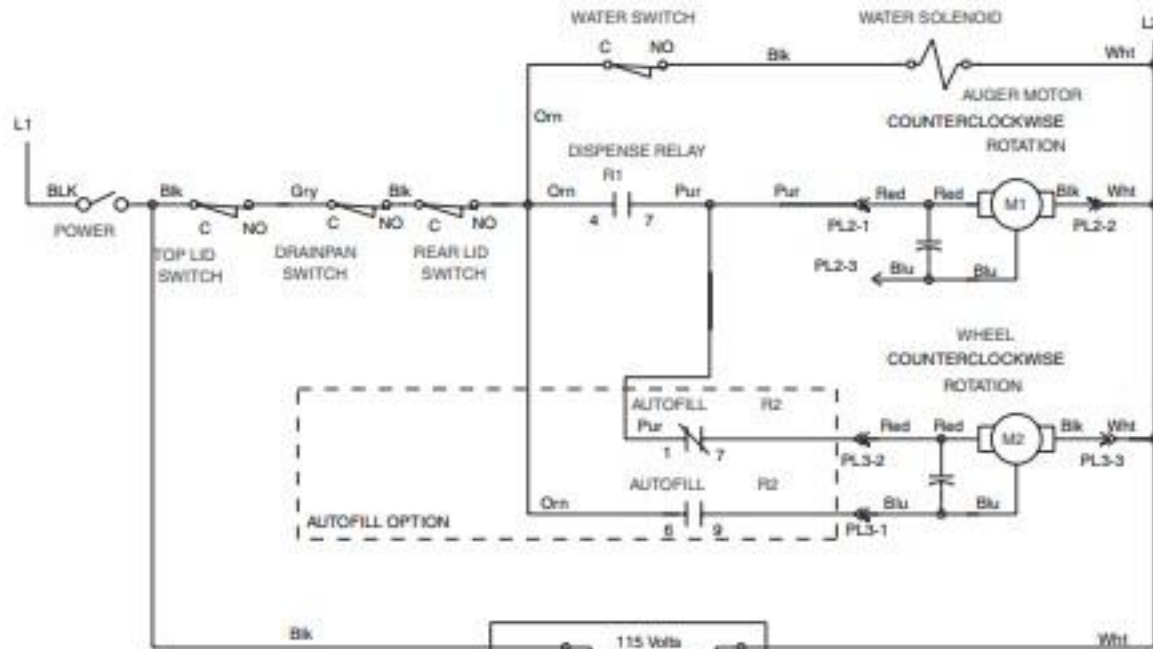
## LEGEND

- Wirenut field connections
- ⊗ Equipment ground
- GND - ground
- BL - black
- W - white
- GRN - green
- B - blue
- R - red
- Y - yellow

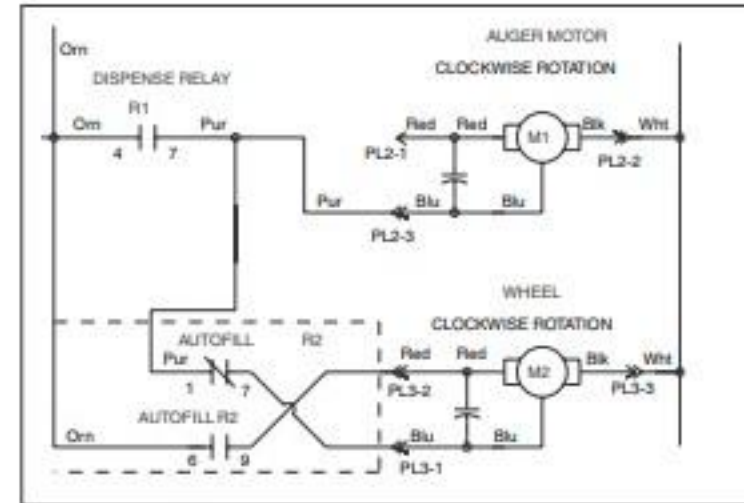


**On all models with remote icemaker(s), the black wire on the icemaker control board's(s) LINE VAC terminal must be moved to the 24V terminal.**

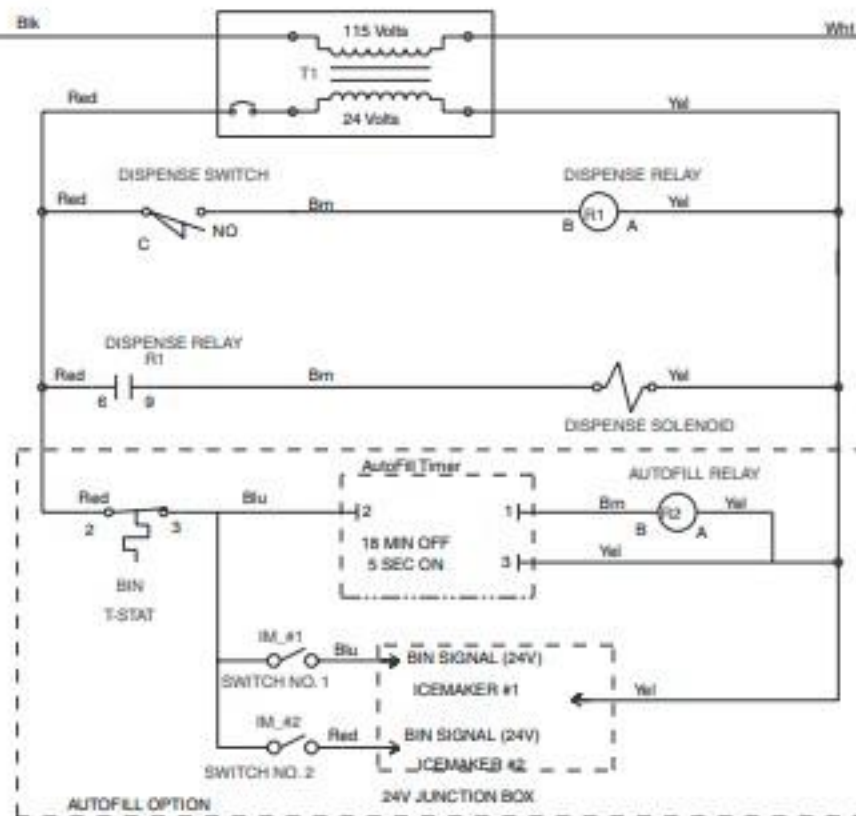
## Right hand unit



## Left hand unit



13



### LEGEND:

-  TERMINAL STRIP CONNECTION
-  PIN and SOCKET CONNECTION