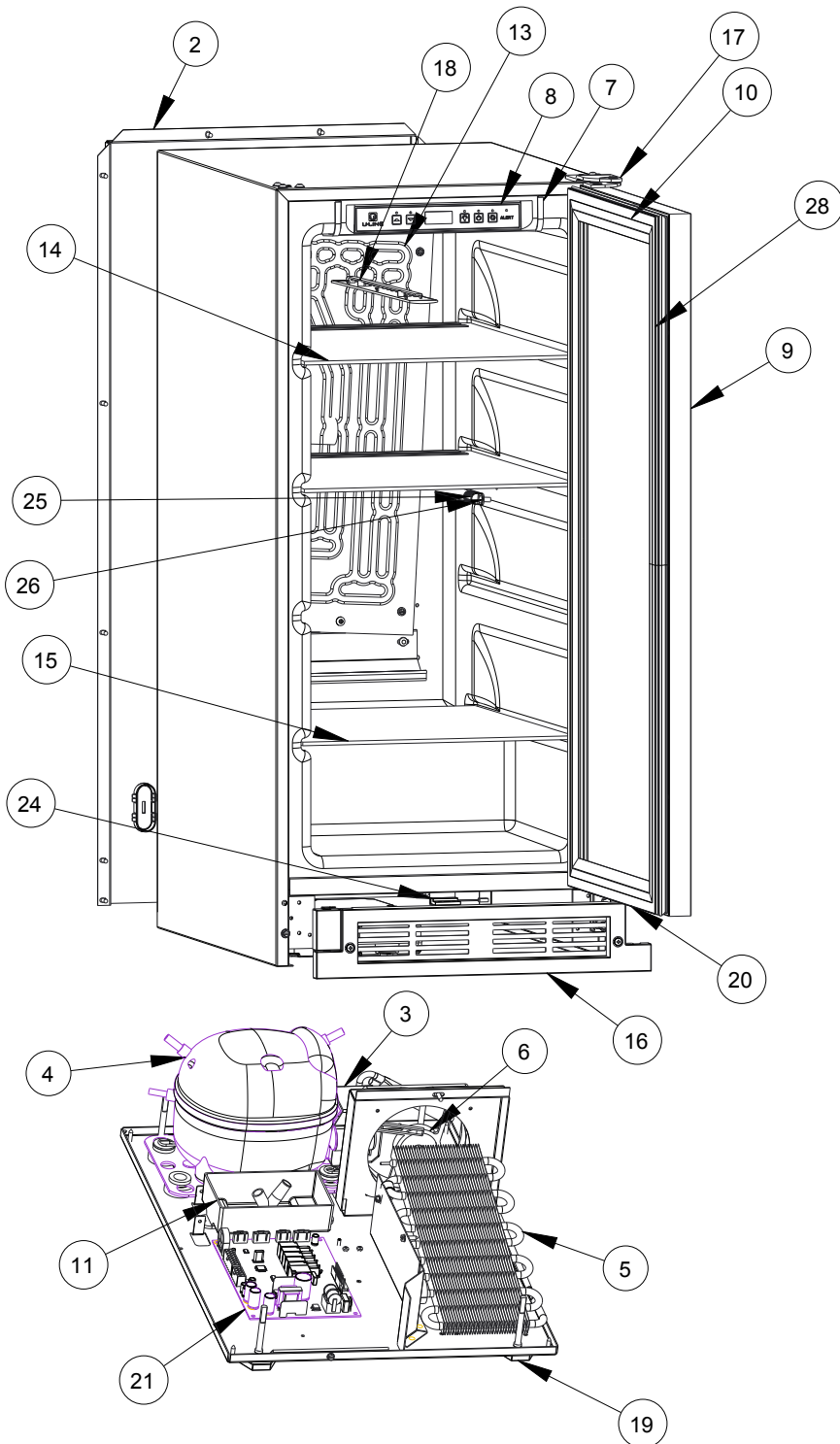


Parts



U-1215RINT-00A

Item	Description	U-Line P/N
1	Anti tip bracket w/screws	80-54239-00
2	Back panel	80-54392-00
3	Compressor electricals only	80-54149-00
4	Compressor w/electricals	80-54150-00
5	Condenser Assembly	80-54231-00
6	Condenser fan w/screws	80-54014-00
7	Control Housing	80-54259-00
8	Display module	80-54510-00
9	Door assembly w/hinges	80-54242-00
10	Gasket, door	80-54511-00
11	Drain pan w/double sided tape	80-54217-00
12	Drier	80-54055-00
13	Evaporator assembly	80-54232-00
14	Glass shelf (1) w/edge trim	80-54240-00
15	Glass shelf (1) btm	80-54241-00
16	Grille w/screws	80-54230-00
17	Hinges	80-54488-00
18	LED light strip and cover assy	80-54000-00
19	Leg Levelers (4)	80-54201-00
20	Magnet w/bkt and screws (2)	80-54250-00
21	Main board w/inst sheet	80-54297-00
22	Packaging	80-54238-00
23	Power cord	80-54512-00
24	Reed switch	80-54134-00
25	Thermistor (1 pc)	80-54006-00
26	Thermistor cover and pin	80-54237-00
27	Wire harness, control	80-54494-00
28	Gasket	80-54235-00