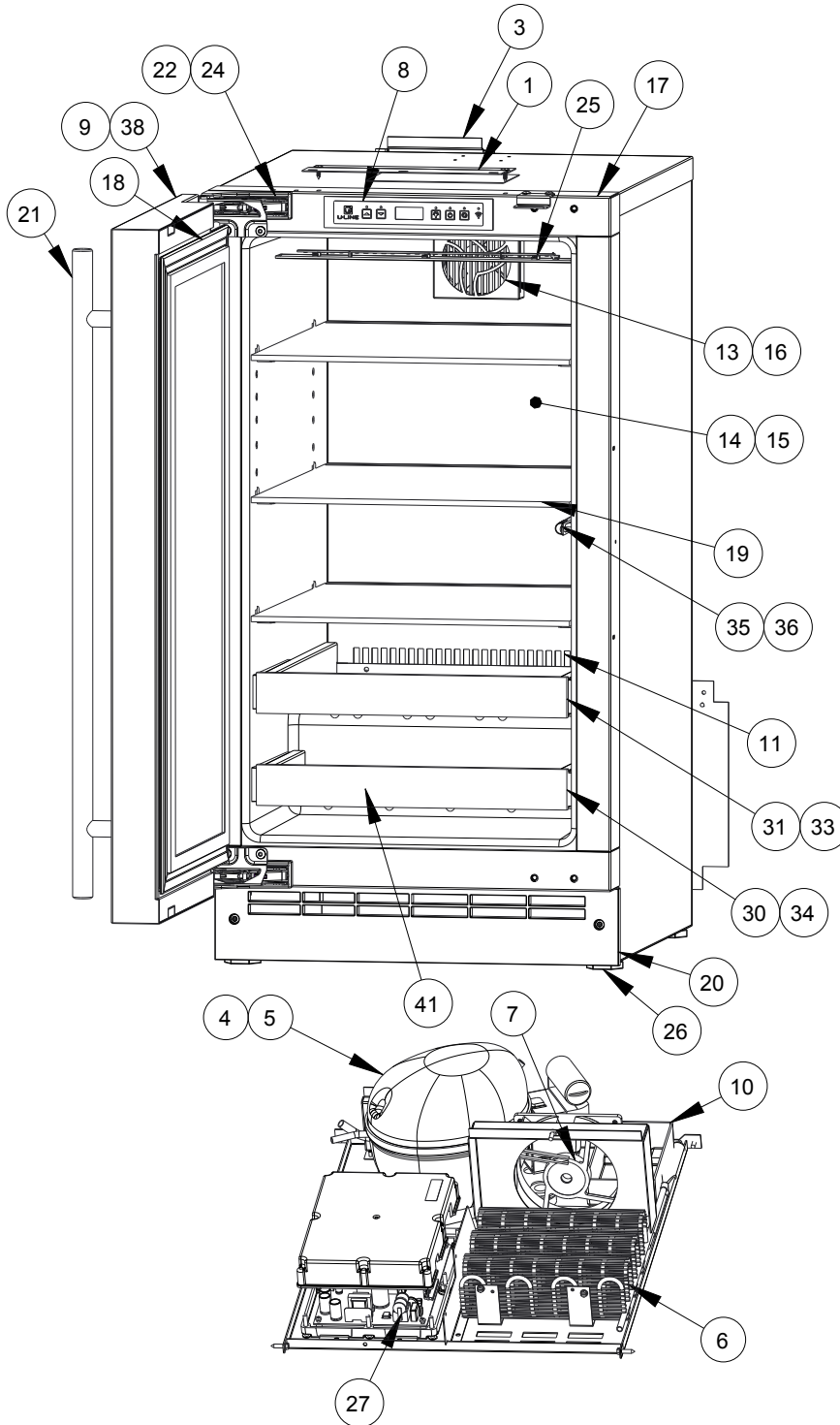


# USER GUIDE

SAFETY • INSTALLATION & INTEGRATION • OPERATING INSTRUCTIONS • MAINTENANCE • **SERVICE**

## Parts



U-2218BEVS-15A		
Item	Description	U-Line P/N
1	Anti tip bracket w/screws	<a href="#">80-54012-00</a>
2	Keys, baby lock	<a href="#">80-54251-00</a>
3	Back panel	<a href="#">80-54175-00</a>
4	Compressor electricals only	<a href="#">80-54149-00</a>
5	Compressor w/electricals	<a href="#">80-54150-00</a>
6	Condenser assembly	<a href="#">80-54022-00</a>
7	Condenser fan w/screws	<a href="#">80-54014-00</a>
8	Display module	<a href="#">80-54007-00</a>
9	Door assembly w/hinges	<a href="#">80-54156-00</a>
10	Drain pan w/double sided tape	<a href="#">80-54217-00</a>
11	Drain trough assembly	<a href="#">80-54480-00</a>
12	Drier	<a href="#">80-54055-00</a>
13	Evap fan w/cover and screws	<a href="#">80-54151-00</a>
14	Evaporator assembly	<a href="#">80-54152-00</a>
15	Evaporator cover	<a href="#">80-54021-00</a>
16	Evaporator fan	<a href="#">80-54321-00</a>
17	Frame assembly, black	<a href="#">80-54826-00</a>
18	Gasket, door, injection molded	<a href="#">80-54003-00</a>
19	Glass shelf (1) w/brackets	<a href="#">80-54015-00</a>
20	Grille w/screws	<a href="#">80-54011-00</a>
21	Commercial door handle	<a href="#">80-54214-00</a>
22	Hinge cover(2 pcs)	<a href="#">80-54001-00</a>
23	Hinge mounting hole covers(4)	<a href="#">80-54024-00</a>
24	Hinges(2) w/screws and covers	<a href="#">80-54013-00</a>
25	LED light strip and cover assy	<a href="#">80-54000-00</a>
26	Leg Levelers (4)	<a href="#">80-54019-00</a>
27	Main board (no case or wires)	<a href="#">80-54008-00</a>
28	Packaging	<a href="#">80-54143-00</a>
29	Power cord	<a href="#">80-54171-00</a>
30	Rack Assembly Bottom	<a href="#">80-54030-00</a>
31	Rack Assembly Middle	<a href="#">80-54028-00</a>
32	Reed switch	<a href="#">80-54134-00</a>
33	Slide Assembly Long	<a href="#">80-54047-00</a>
34	Slide Assembly short	<a href="#">80-54048-00</a>
35	Thermistor (1 pc)	<a href="#">80-54006-00</a>
36	Thermistor cover and pin	<a href="#">80-54023-00</a>
37	Tool, leg leveler	<a href="#">80-54794-00</a>
38	Universal lock assembly	<a href="#">80-54153-00</a>
39	WIFI antenna	<a href="#">80-54804-00</a>
40	Wire harness, board	<a href="#">80-54251-00</a>
41	Wood fronts w/screws	<a href="#">80-54497-00</a>