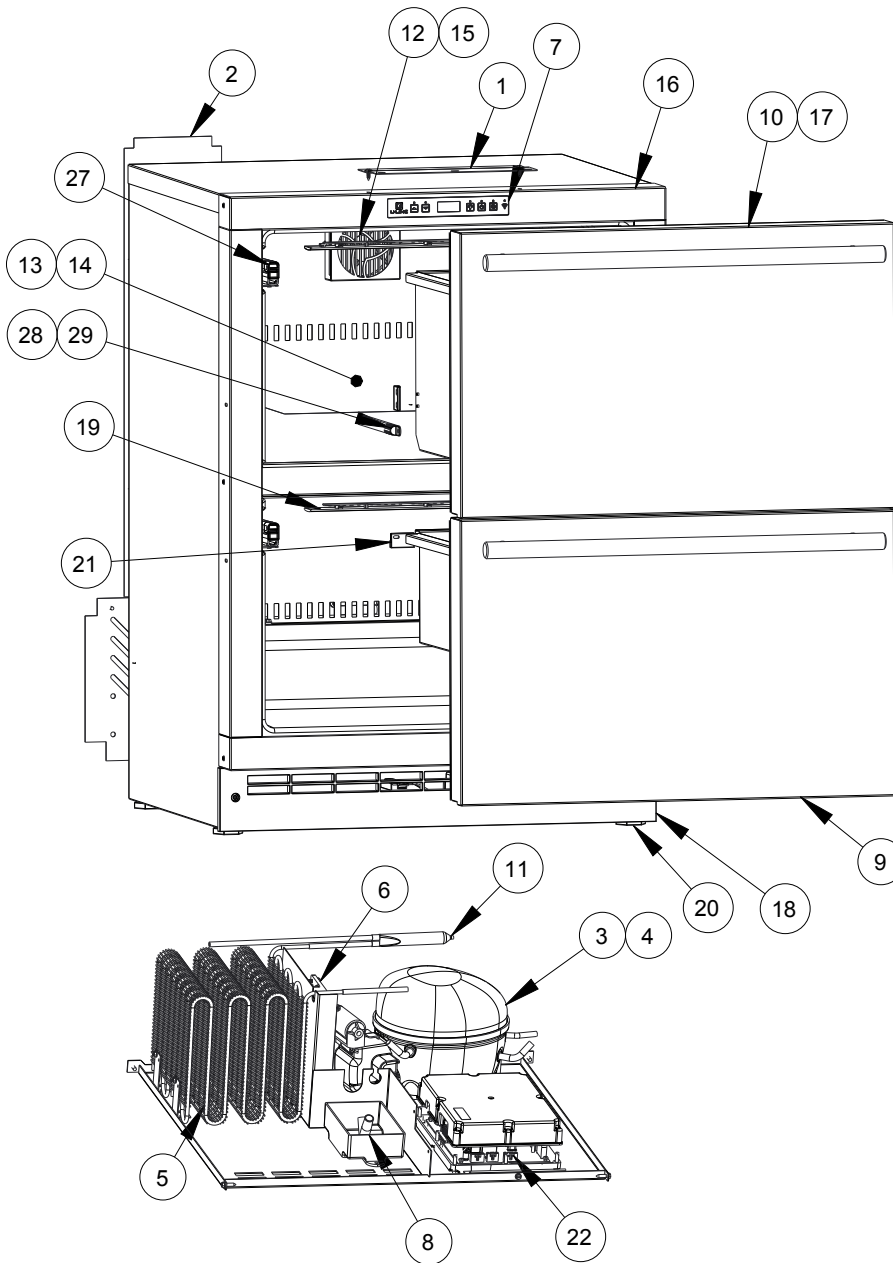


# USER GUIDE

SAFETY • INSTALLATION & INTEGRATION • OPERATING INSTRUCTIONS • MAINTENANCE • **SERVICE**

## Parts



U-2224DWRS-00A		
Item	Description	U-Line P/N
1	Anti tip bracket w/screws	<a href="#">80-54012-00</a>
2	Back panel	<a href="#">80-54086-00</a>
3	Compressor electricals only	<a href="#">80-54149-00</a>
4	Compressor w/electricals	<a href="#">80-54150-00</a>
5	Condenser assembly	<a href="#">80-54043-00</a>
6	Condenser fan w/screws	<a href="#">80-54014-00</a>
7	Display module	<a href="#">80-54007-00</a>
8	Drain pan w/double sided tape	<a href="#">80-54217-00</a>
9	Drawer assy, lower	<a href="#">80-54181-00</a>
10	Drawer assy, upper	<a href="#">80-54182-00</a>
11	Drier	<a href="#">80-54055-00</a>
12	Evap fan w/cover and screws	<a href="#">80-54151-00</a>
13	Evaporator assembly	<a href="#">80-54057-00</a>
14	Evaporator cover w/screws	<a href="#">80-54866-00</a>
15	Evaporator fan	<a href="#">80-54321-00</a>
16	Frame assembly	<a href="#">80-54833-00</a>
17	Gasket, drawer	<a href="#">80-54183-00</a>
18	Grille w/screws	<a href="#">80-54052-00</a>
19	LED light strip and cover assy	<a href="#">80-54000-00</a>
20	Leg Levelers (4)	<a href="#">80-54019-00</a>
21	Magnet	<a href="#">80-54100-00</a>
22	Main board (no case or wires)	<a href="#">80-54008-00</a>
23	Packaging	<a href="#">80-54160-00</a>
24	Wire harness, power cord	<a href="#">80-54836-00</a>
25	Reed switch	<a href="#">80-54134-00</a>
26	Slide and divide	<a href="#">80-54115-00</a>
27	Slide assembly	<a href="#">80-54119-00</a>
28	Thermistor (1 pc)	<a href="#">80-54006-00</a>
29	Thermistor cover and pin	<a href="#">80-54023-00</a>
30	Tool, leg leveler	<a href="#">80-54794-00</a>
31	WIFI antenna	<a href="#">80-54804-00</a>
32	Wire Harness, board	<a href="#">80-54831-00</a>