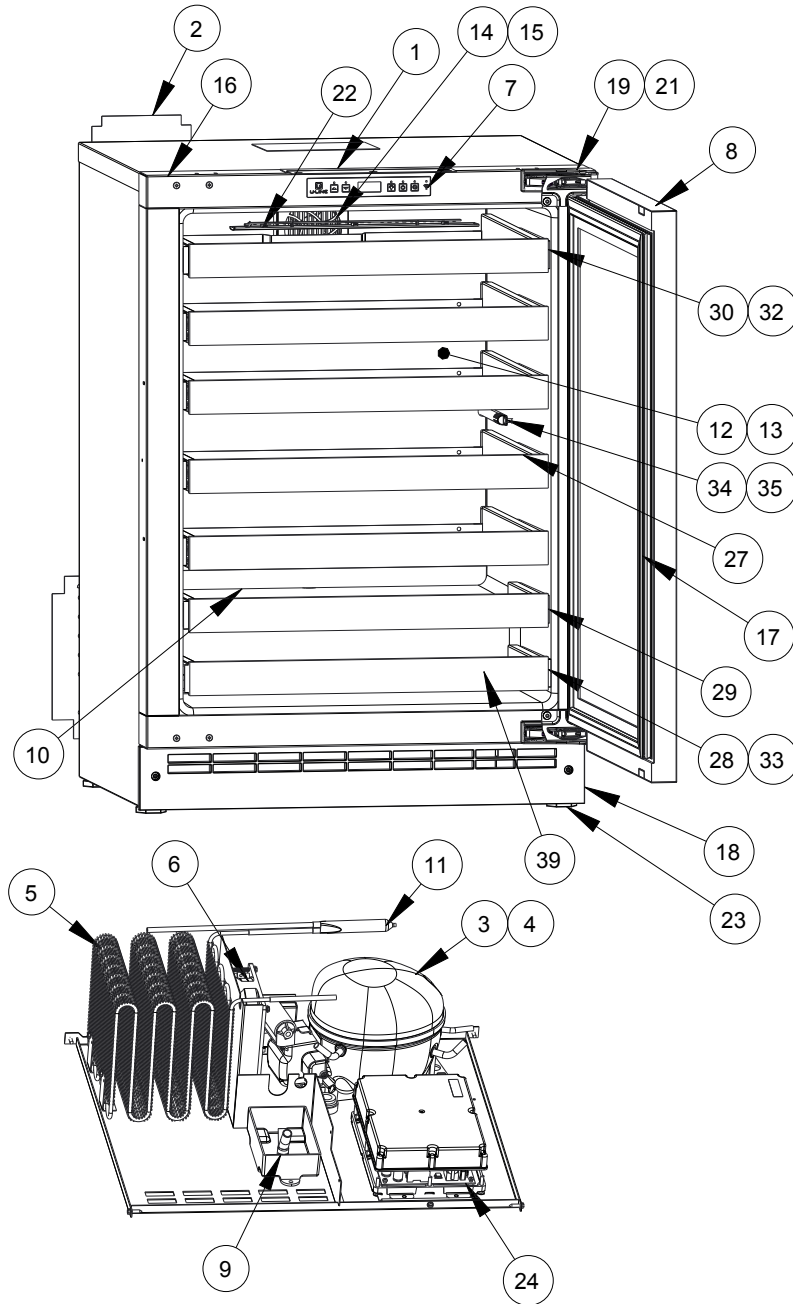


# USER GUIDE

SAFETY • INSTALLATION & INTEGRATION • OPERATING INSTRUCTIONS • MAINTENANCE • **SERVICE**

## Parts



### U-2224WCINT-00A

Item	Description	U-Line P/N
1	Anti tip brackets w/screws	<a href="#">80-54012-00</a>
2	Back panel	<a href="#">80-54086-00</a>
3	Compressor electricals only	<a href="#">80-54149-00</a>
4	Compressor w/electricals	<a href="#">80-54193-00</a>
5	Condenser assembly	<a href="#">80-54043-00</a>
6	Condenser fan w/screws	<a href="#">80-54014-00</a>
7	Display module	<a href="#">80-54007-00</a>
8	Door assembly w/o hinges	<a href="#">80-54085-00</a>
9	Drain pan w/double sided tape	<a href="#">80-54217-00</a>
10	Drain trough assembly	<a href="#">80-54399-00</a>
11	Drier	<a href="#">80-54055-00</a>
12	Evaporator assembly	<a href="#">80-54057-00</a>
13	Evaporator cover	<a href="#">80-54042-00</a>
14	Evaporator fan	<a href="#">80-54321-00</a>
15	Evaporator fan w/cover and screws	<a href="#">80-54151-00</a>
16	Frame assembly	<a href="#">80-54820-00</a>
17	Gasket, door, injection molded	<a href="#">80-54039-00</a>
18	Grille w/ screws	<a href="#">80-54040-00</a>
19	Hinge covers (2 pcs)	<a href="#">80-54001-00</a>
20	Hinge mounting hole covers(2)	<a href="#">80-54024-00</a>
21	Hinges (2) w/screws and covers	<a href="#">80-54013-00</a>
22	LED light strip and cover assy	<a href="#">80-54000-00</a>
23	Leg Levelers (4)	<a href="#">80-54019-00</a>
24	Main board (no case or wires)	<a href="#">80-54008-00</a>
25	Packaging	<a href="#">80-54159-00</a>
26	Power cord	<a href="#">80-54171-00</a>
27	Rack assembly	<a href="#">80-54010-00</a>
28	Rack assembly bottom	<a href="#">80-54091-00</a>
29	Rack Assembly, lower	<a href="#">80-54817-00</a>
30	Rack Assembly, middle	<a href="#">80-54818-00</a>
31	Reed switch	<a href="#">80-54134-00</a>
32	Slide assembly, long	<a href="#">80-54047-00</a>
33	Slide assembly, short	<a href="#">80-54048-00</a>
34	Thermistor (1 pc)	<a href="#">80-54006-00</a>
35	Thermistor cover and pin	<a href="#">80-54023-00</a>
36	Tool, leg leveler	<a href="#">80-54794-00</a>
37	WIFI antenna	<a href="#">80-54804-00</a>
38	Wire Harness, board	<a href="#">80-54251-00</a>
39	Wood fronts w/screws	<a href="#">80-54498-00</a>